



US00D729357S

(12) **United States Design Patent**  
**Ball et al.**

(10) **Patent No.:** **US D729,357 S**

(45) **Date of Patent:** **\*\* May 12, 2015**

(54) **DRAIN ELBOW**

285/83, 124.1, 124.5, 179, 179.1;  
137/561 A

(71) Applicant: **WCM Industries, Inc.**, Colorado Springs, CO (US)

See application file for complete search history.

(72) Inventors: **William T. Ball**, Colorado Springs, CO (US); **Eric Pilarczyk**, Colorado Springs, CO (US)

(56) **References Cited**

U.S. PATENT DOCUMENTS

37,956 A 3/1863 Doytt  
156,971 A \* 11/1874 Beins et al. .... 217/100

(Continued)

FOREIGN PATENT DOCUMENTS

CH 346187 4/1960  
DE 1163257 2/1964  
FR 744099 2/1964

OTHER PUBLICATIONS

Definition of the term “diaphragm” found at: <http://www.thefreedictionary.com/diaphragm>, cited in Aug. 7, 2012 OA for U.S. Appl. No. 13/234,030.

(Continued)

*Primary Examiner* — Eric Goodman

*Assistant Examiner* — Daniel J Domino

(74) *Attorney, Agent, or Firm* — Sheridan Ross P.C.

(57) **CLAIM**

The ornamental design for a drain elbow, as shown and described.

**DESCRIPTION**

FIG. 1 is a front perspective view of a drain elbow;  
FIG. 2 is another front perspective view thereof;  
FIG. 3 is a front elevation view thereof;  
FIG. 4 is a rear elevation view thereof;  
FIG. 5 is a right elevation view thereof;  
FIG. 6 is a left elevation view thereof;  
FIG. 7 is a top plan view thereof; and,  
FIG. 8 is a bottom plan view thereof.

**1 Claim, 5 Drawing Sheets**

(73) Assignee: **WCM Industries, Inc.**, Colorado Springs, CO (US)

(\*\*) Term: **14 Years**

(21) Appl. No.: **29/484,008**

(22) Filed: **Mar. 5, 2014**

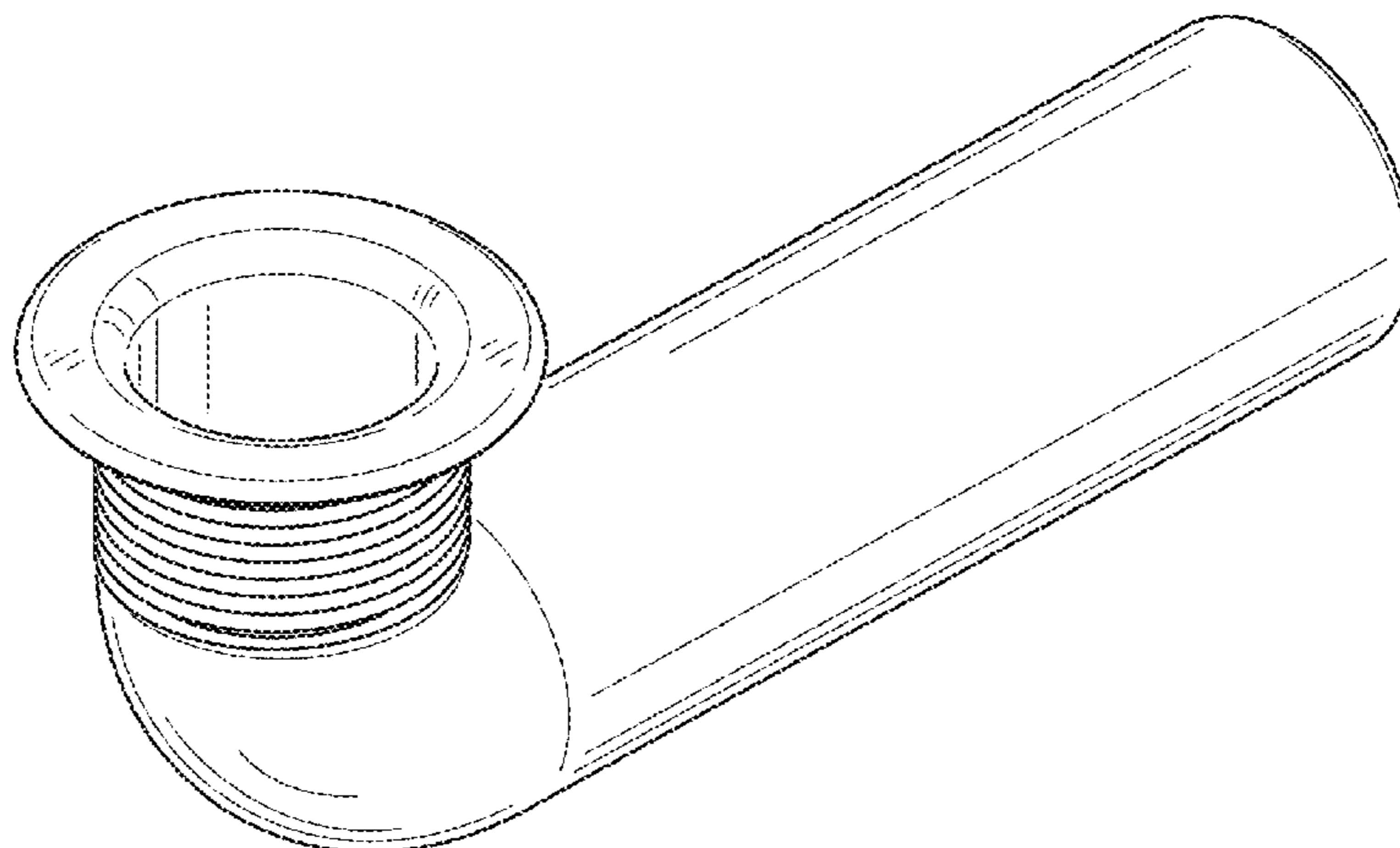
**Related U.S. Application Data**

(63) Continuation of application No. 13/974,690, filed on Aug. 23, 2013, which is a continuation-in-part of application No. 13/726,840, filed on Dec. 26, 2012, which is a continuation-in-part of application No. 13/461,422, filed on May 1, 2012, now Pat. No. 8,505,132, which is a continuation-in-part of application No. 12/057,660, filed on Mar. 28, 2008, now Pat. No. 8,166,584, which is a continuation-in-part of application No. 10/732,726, filed on Dec. 10, 2003, now Pat. No. 8,302,220, which is a continuation-in-part of application No. 09/954,420, filed on Sep. 17, 2001, now Pat. No. 6,691,411.

(51) **LOC (10) Cl.** ..... **23-01**

(52) **U.S. Cl.**  
USPC ..... **D23/263**

(58) **Field of Classification Search**  
USPC ..... D23/207, 213, 223, 224, 229, 230, 259,  
D23/263, 266; D24/129; D13/155;  
D12/194; 138/103, 105, 109, 118,  
138/118.1, 121, 122, 126, 128, 140, 154,  
138/155, 157, 158, 167, 173, 177; 285/58,



(56)

References Cited

U.S. PATENT DOCUMENTS

427,478 A 5/1890 McEvoy  
 843,968 A 2/1907 Sharp, Jr.  
 938,102 A \* 10/1909 Wise et al. .... 4/680  
 1,213,466 A 1/1917 Delanoy  
 1,330,909 A \* 2/1920 Sharp, Jr. .... 4/684  
 1,518,599 A 12/1924 Murray  
 1,788,083 A 1/1931 Church  
 1,925,008 A 8/1933 Schact  
 1,977,177 A 10/1934 De Flores  
 2,044,253 A 6/1936 Morris  
 2,062,145 A 11/1936 Pickop  
 2,223,365 A 12/1940 Groeniger  
 2,374,815 A 5/1945 Haas, Jr.  
 2,444,340 A \* 6/1948 Donahue ..... 4/680  
 2,832,081 A 4/1958 Young  
 2,915,903 A 12/1959 Digby et al.  
 2,993,655 A 7/1961 O'Brien  
 3,121,879 A 2/1964 Young  
 3,493,978 A 2/1970 Hindman et al.  
 3,937,497 A 2/1976 Studer  
 D248,133 S 6/1978 Shames et al.  
 4,135,258 A \* 1/1979 Braga et al. .... 241/46.015  
 4,146,939 A \* 4/1979 Izzi ..... 4/286  
 4,233,697 A 11/1980 Cornwall  
 4,307,901 A 12/1981 Orberg et al.  
 4,352,213 A 10/1982 Watts  
 4,359,790 A 11/1982 Chalberg  
 4,371,991 A 2/1983 Schrott  
 4,387,914 A \* 6/1983 Paulson et al. .... 285/119  
 4,413,384 A 11/1983 Lassche  
 4,457,030 A 7/1984 Burry  
 4,553,625 A 11/1985 Tsuge et al.  
 4,683,597 A 8/1987 Taylor et al.  
 4,730,855 A 3/1988 Pelletier  
 D296,816 S 7/1988 Budzinski et al.  
 4,813,745 A 3/1989 Woody  
 4,825,477 A 5/1989 Aranda  
 4,865,353 A \* 9/1989 Osborne ..... 285/16  
 4,890,967 A 1/1990 Rosenbaum  
 4,920,582 A 5/1990 Alker  
 4,953,235 A 9/1990 Cornwall  
 5,025,509 A 6/1991 Holt et al.  
 5,257,648 A 11/1993 Oropallo  
 5,267,474 A 12/1993 Ten Hoven  
 5,273,077 A 12/1993 Oropallo  
 5,350,266 A 9/1994 Espey et al.  
 5,351,996 A 10/1994 Martin  
 5,377,361 A 1/1995 Piskula  
 5,417,460 A 5/1995 Lunder  
 5,507,501 A 4/1996 Palmer  
 5,590,916 A 1/1997 Liu  
 5,692,248 A 12/1997 Ball  
 5,745,931 A 5/1998 Ball  
 5,758,368 A 6/1998 Ball  
 5,786,054 A 7/1998 Platusich et al.  
 5,799,986 A 9/1998 Corbett et al.  
 5,815,895 A 10/1998 Carlson et al.  
 5,890,241 A 4/1999 Ball  
 5,957,514 A 9/1999 Brookshire  
 5,971,438 A 10/1999 Johnson  
 6,058,526 A \* 5/2000 Parisi et al. .... 4/688  
 6,066,119 A 5/2000 Ball  
 6,073,278 A 6/2000 Ball  
 6,085,363 A 7/2000 Huber  
 6,088,843 A 7/2000 Francisco  
 6,126,233 A 10/2000 Gaetano et al.  
 6,145,136 A 11/2000 Parisi et al.  
 6,192,531 B1 2/2001 Fritz et al.  
 6,193,879 B1 2/2001 Bowman  
 6,216,288 B1 4/2001 Bernau  
 6,226,806 B1 5/2001 Ball  
 6,263,518 B1 7/2001 Magtanong  
 6,289,532 B1 9/2001 Fritz et al.  
 6,295,664 B2 10/2001 Fritz et al.  
 6,338,168 B1 1/2002 Valentine

6,362,734 B1 3/2002 McQuade et al.  
 6,418,570 B1 7/2002 Ball  
 6,448,907 B1 9/2002 Naclerio  
 6,484,331 B2 11/2002 Minnick  
 6,530,722 B1 3/2003 Shaw et al.  
 6,546,573 B1 \* 4/2003 Ball ..... 4/680  
 6,606,753 B2 8/2003 Minnick  
 6,618,875 B1 9/2003 Oropallo et al.  
 6,637,050 B1 10/2003 Ball  
 6,675,406 B2 1/2004 Ball  
 6,681,420 B1 1/2004 Ball  
 6,691,411 B2 2/2004 Ball  
 6,696,943 B1 2/2004 Elrod et al.  
 6,812,844 B1 11/2004 Burgess  
 6,836,911 B2 1/2005 Minnick  
 6,953,049 B2 10/2005 Kowalke  
 D517,666 S 3/2006 Wilk, Jr. et al.  
 D523,123 S 6/2006 Wilk, Jr. et al.  
 7,127,752 B2 10/2006 Ball  
 7,237,280 B1 7/2007 Holden et al.  
 D549,805 S \* 8/2007 Quach ..... D23/268  
 7,300,074 B1 11/2007 Paulson  
 D586,433 S 2/2009 Price et al.  
 7,503,083 B2 3/2009 Ball  
 D599,447 S \* 9/2009 Cummings et al. .... D23/268  
 D627,862 S 11/2010 Ball  
 D627,863 S 11/2010 Ball  
 D636,468 S 4/2011 Ball  
 D637,696 S 5/2011 Ball  
 8,028,357 B2 10/2011 Ball  
 D652,122 S \* 1/2012 Bonhag et al. .... D23/263  
 D659,809 S \* 5/2012 Smith ..... D23/268  
 8,166,584 B2 5/2012 Ball  
 D665,062 S \* 8/2012 Ball ..... D23/263  
 8,302,220 B2 11/2012 Ball  
 8,321,970 B2 12/2012 Ball  
 8,505,132 B2 8/2013 Ball  
 D705,402 S \* 5/2014 Yu ..... D23/262  
 2002/0032926 A1 \* 3/2002 Lewis ..... 4/680  
 2003/0151281 A1 8/2003 Williams  
 2004/0055083 A1 3/2004 Ball  
 2004/0055084 A1 3/2004 Ball  
 2004/0068792 A1 4/2004 Ball  
 2004/0068793 A1 4/2004 Ball  
 2004/0103474 A1 6/2004 Ball  
 2004/0111797 A1 6/2004 Ball  
 2006/0085907 A1 4/2006 Ball  
 2007/0007763 A1 1/2007 Deaton  
 2008/0148477 A1 \* 6/2008 Shafik ..... 4/679  
 2008/0155745 A1 7/2008 Burr  
 2008/0196161 A1 8/2008 Ball  
 2009/0261579 A1 10/2009 Spears  
 2011/0209279 A1 9/2011 Ball  
 2012/0005824 A1 1/2012 Ball  
 2013/0055494 A1 3/2013 Ball  
 2013/0069361 A1 \* 3/2013 Cai et al. .... 285/133.21  
 2013/0180045 A1 7/2013 Ball et al.  
 2013/0269100 A1 \* 10/2013 Ball et al. .... 4/693  
 2013/0340163 A1 \* 12/2013 Ball et al. .... 4/679

OTHER PUBLICATIONS

“New WATCO Eliminator Bath Waste”, WATCO, as early as Aug. 8, 2001, pp. 1-2.  
 “Tubular Plastic-Innovator® 590”, Woodford Manufacturing Company, first sold Aug. 16, 2001, pp. 1-2.  
 “WCM Industries-Freezeless Faucets, Yard Hydrants and Bath Wastes”, as early as Aug. 2000, available at <http://www.woodfordmfg.com/>, printed on Sep. 15, 2005, p. 1.  
 Official Action for U.S. Appl. No. 10/732,726, mailed Mar. 28, 2005 (Restriction Requirement).  
 Official Action for U.S. Appl. No. 10/732,726, mailed May 23, 2005.  
 Official Action for U.S. Appl. No. 10/732,726, mailed Oct. 24, 2005.  
 Official Action for U.S. Appl. No. 10/732,726, mailed May 19, 2006.  
 Official Action for U.S. Appl. No. 10/732,726, mailed Jan. 30, 2008.  
 Official Action for U.S. Appl. No. 10/732,726, mailed Jun. 2, 2008.  
 Official Action for U.S. Appl. No. 10/732,726, mailed Aug. 20, 2008.  
 Official Action for U.S. Appl. No. 10/732,726, mailed Nov. 17, 2008.



(56)

**References Cited**

OTHER PUBLICATIONS

Official Action for U.S. Appl. No. 10/732,726, mailed Dec. 9, 2008.  
Official Action for U.S. Appl. No. 10/732,726, mailed May 1, 2008.  
Official Action for U.S. Appl. No. 10/732,726, mailed Sep. 4, 2009.  
Official Action for U.S. Appl. No. 10/732,726, mailed Apr. 15, 2010.  
Official Action for U.S. Appl. No. 10/674,862, mailed Mar. 28, 2005.  
Official Action for U.S. Appl. No. 10/674,862, mailed Aug. 18, 2004.  
Notice of Allowance for U.S. Appl. No. 10/674,862, mailed Aug. 24, 2006.  
Official Action for U.S. Appl. No. 10/674,862, mailed Oct. 6, 2005.  
Official Action for U.S. Appl. No. 10/674,862, mailed Sep. 20, 2005.  
Official Communication for U.S. Appl. No. 10/674,862, mailed May 23, 2008.  
Examiner's Answer for U.S. Appl. No. 10/674,862, mailed May 15, 2008.  
Official Action for U.S. Appl. No. 10/674,862, mailed May 1, 2007.  
Official Action for U.S. Appl. No. 10/674,862, mailed Dec. 21, 2006.  
Notice of Allowance for U.S. Appl. No. 10/738,772, mailed Aug. 1, 2006.  
Official Action for U.S. Appl. No. 10/738,772, mailed May 11, 2006.  
Official Action for U.S. Appl. No. 10/738,772, mailed Mar. 27, 2006.  
Official Action for U.S. Appl. No. 10/738,772, mailed Aug. 2, 2005.  
Official Action for U.S. Appl. No. 10/738,772, mailed May 13, 2005.  
Official Action for U.S. Appl. No. 10/738,772, mailed Mar. 11, 2005.  
Official Action for U.S. Appl. 10/738,772, mailed Sep. 17, 2004.

Official Action for U.S. Appl. No. 10/738,765, mailed May 22, 2007.  
Official Action for U.S. Appl. No. 10/738,765, mailed Jan. 13, 2006.  
Official Action for U.S. Appl. No. 10/738,765, mailed Jun. 6, 2005.  
Official Action for U.S. Appl. No. 10/738,765, mailed Apr. 13, 2006.  
Notice of Allowability for Design U.S. Appl. No. 29/362,288, mailed Oct. 7, 2010.  
Official Action for U.S. Appl. No. 10/732,726, mailed Oct. 25, 2010.  
Official Action for U.S. Appl. No. 10/732,726, mailed May 9, 2011 9 pages.  
Official Action for U.S. Appl. No. 12/057,660, mailed Nov. 3, 2011 9 pages.  
Official Action for U.S. Appl. No. 10/732,726, mailed Nov. 16, 2011 9 pages.  
Notice of Allowance for U.S. Appl. No. 12/057,660, mailed Mar. 7, 2012 5 pages.  
Official Action for U.S. Appl. No. 29/378,602, mailed Mar. 9, 2012 6 pages Restriction Requirement.  
Official Action for U.S. Appl. No. 29/378,602, mailed Mar. 27, 2012 5 pages.  
Notice of Allowance for U.S. Appl. No. 29/378,602, mailed Jun. 21, 2012 7 pages.  
Official Action for U.S. Appl. No. 13/461,422 mailed Dec. 27, 2012 9 pages.  
Notice of Allowance for U.S. Appl. No. 13/461,422 mailed Apr. 18, 2013 6 pages.

\* cited by examiner

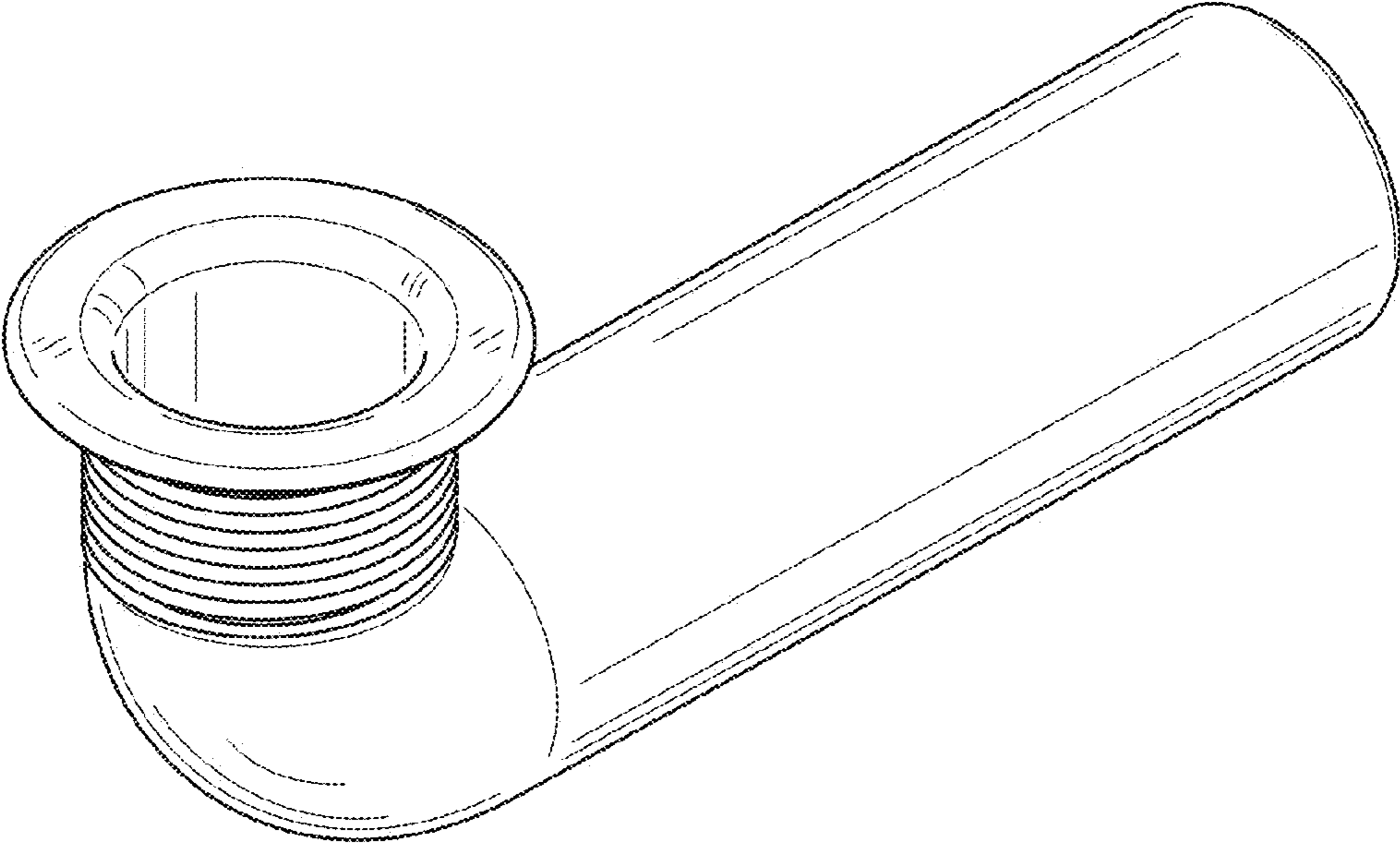


FIG.1

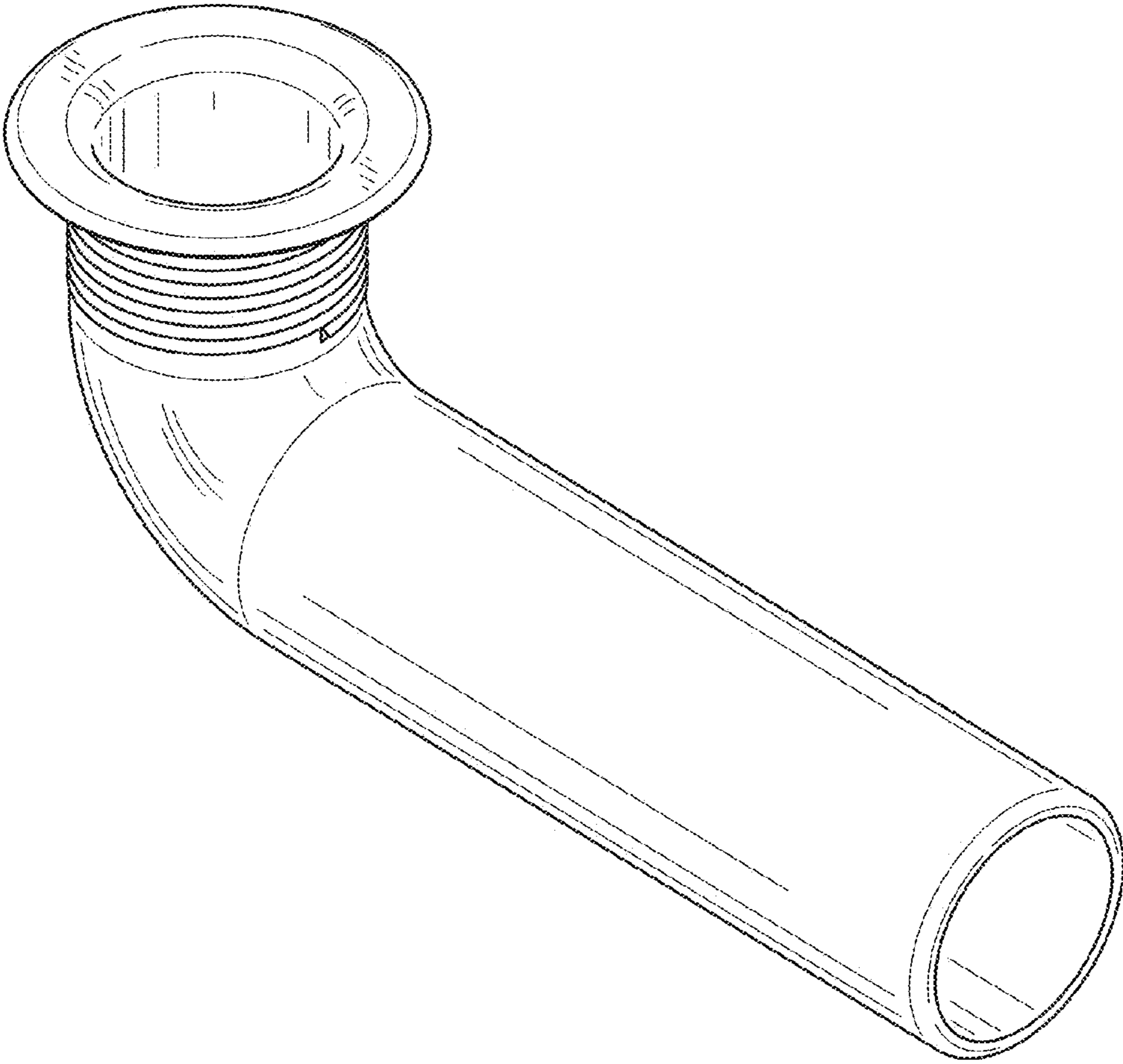


FIG.2

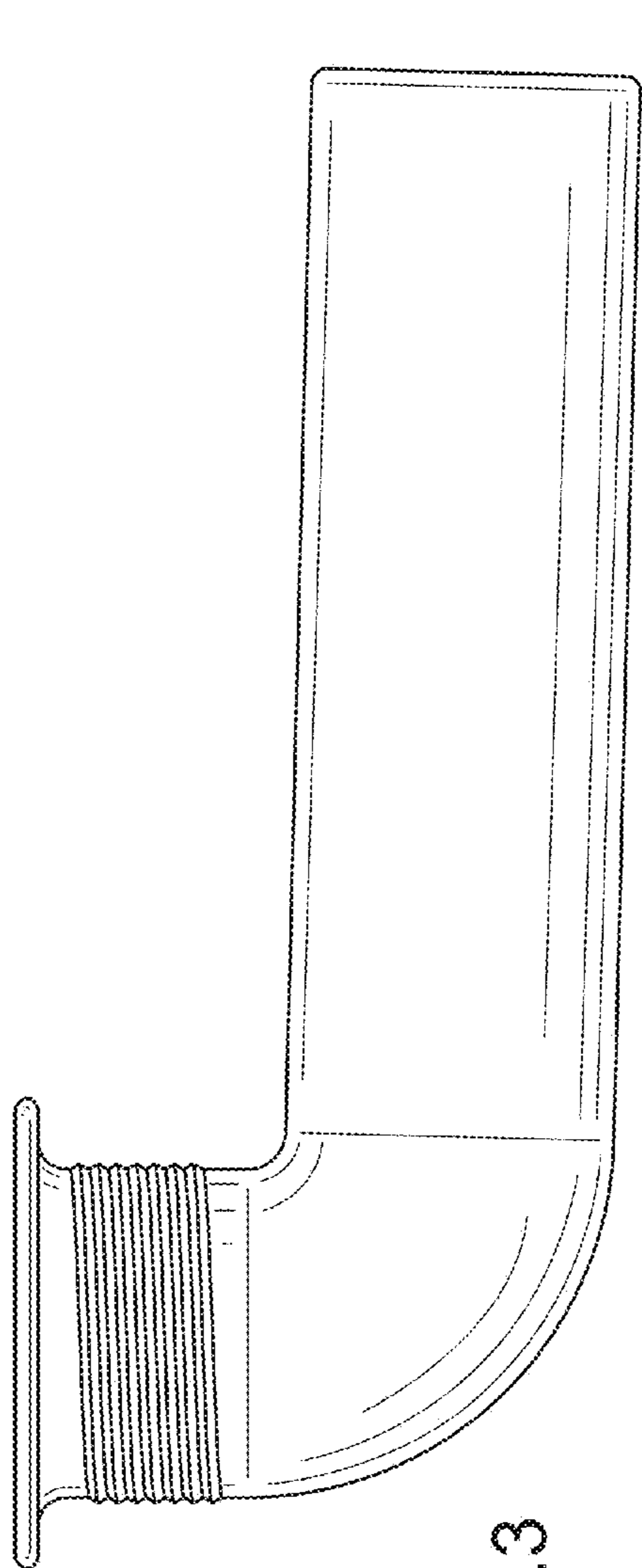


FIG. 3

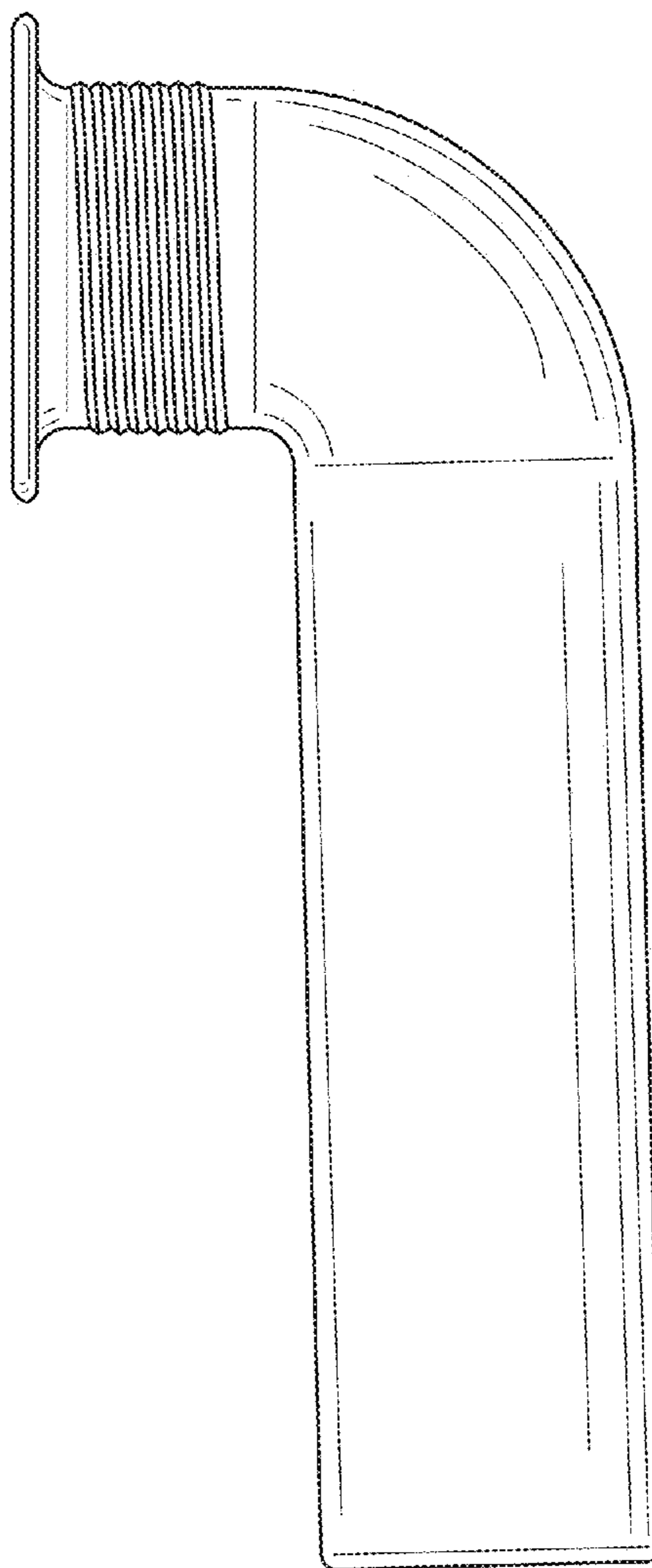


FIG. 4

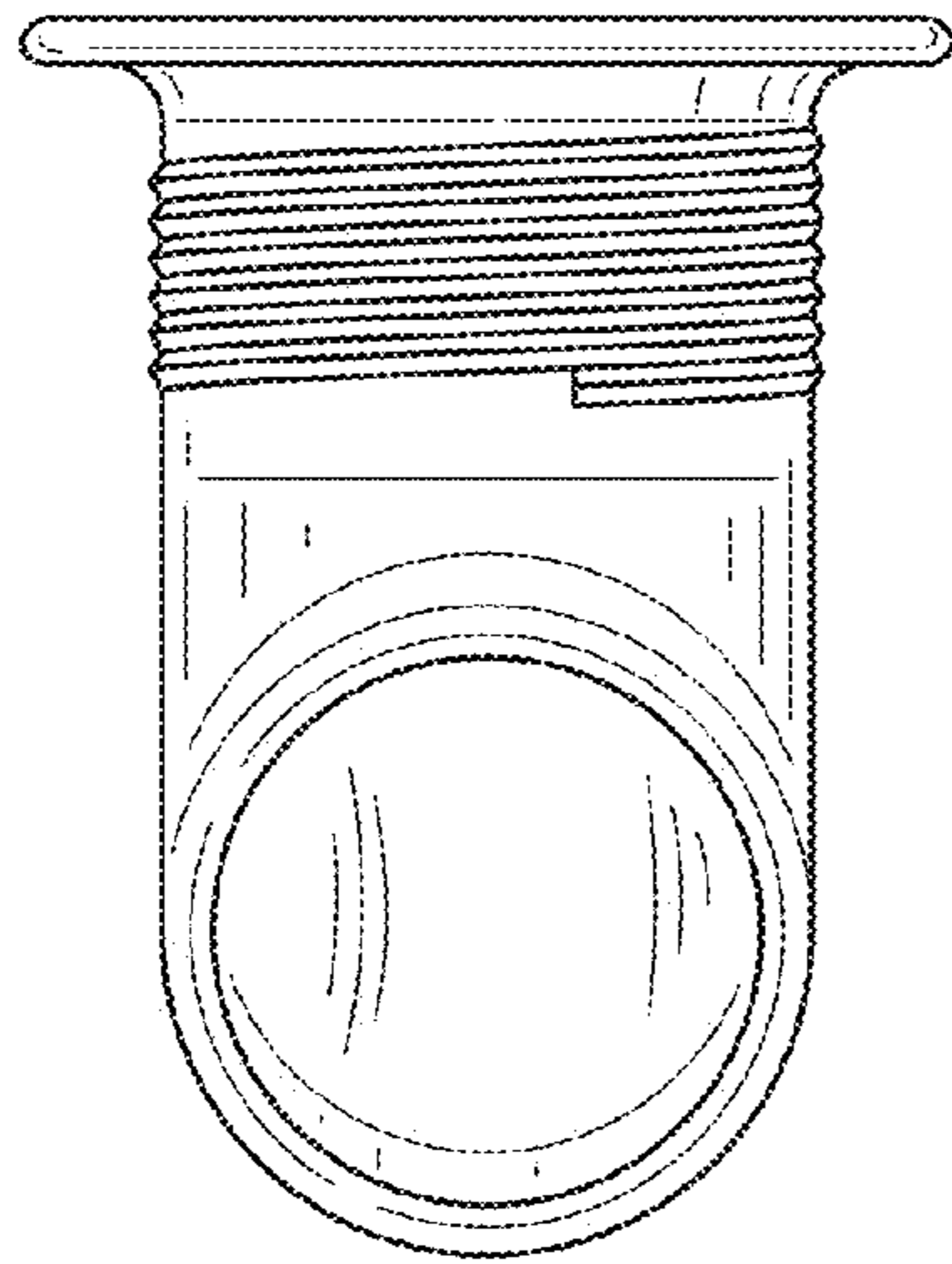


FIG. 5

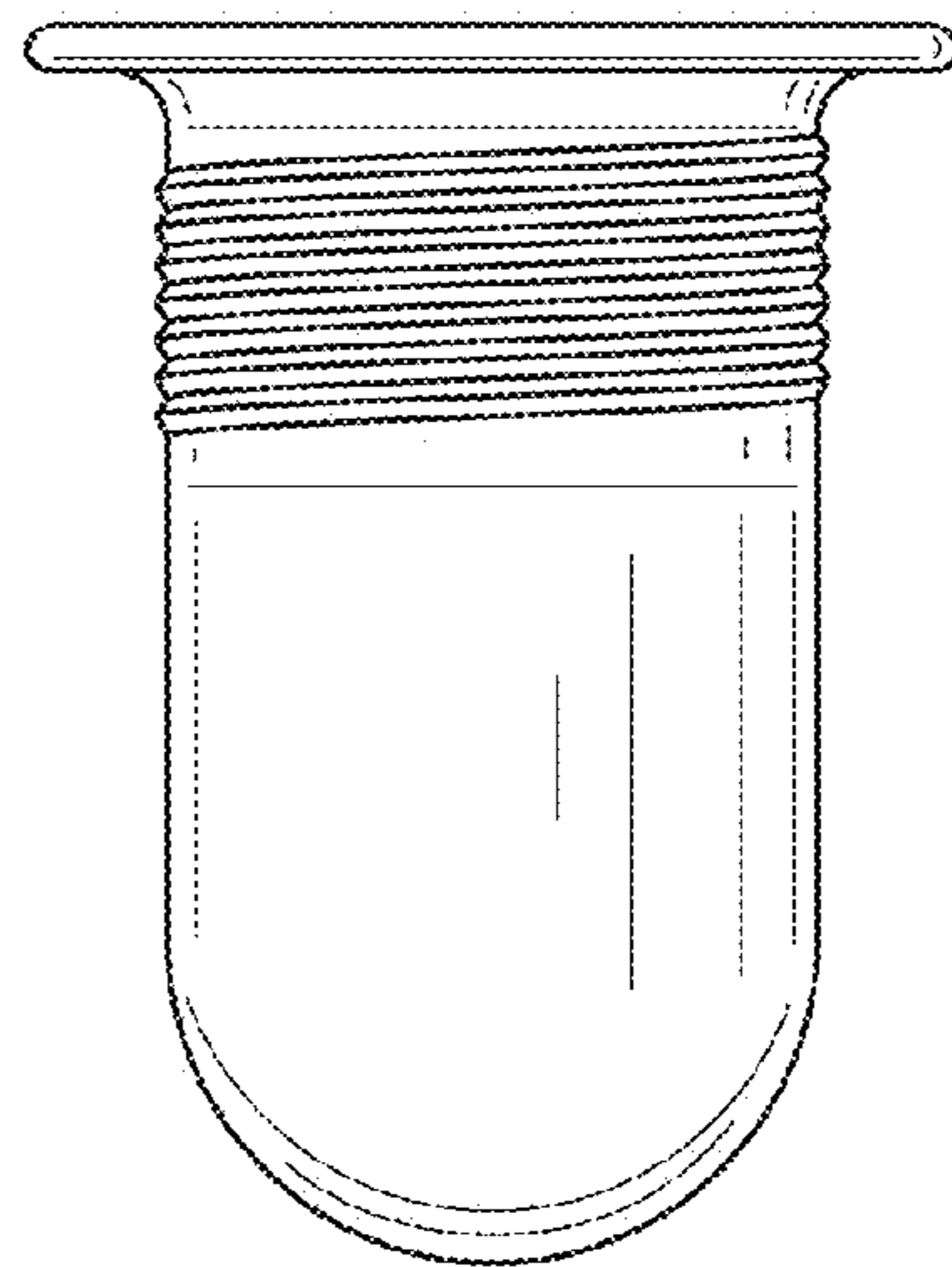


FIG. 6

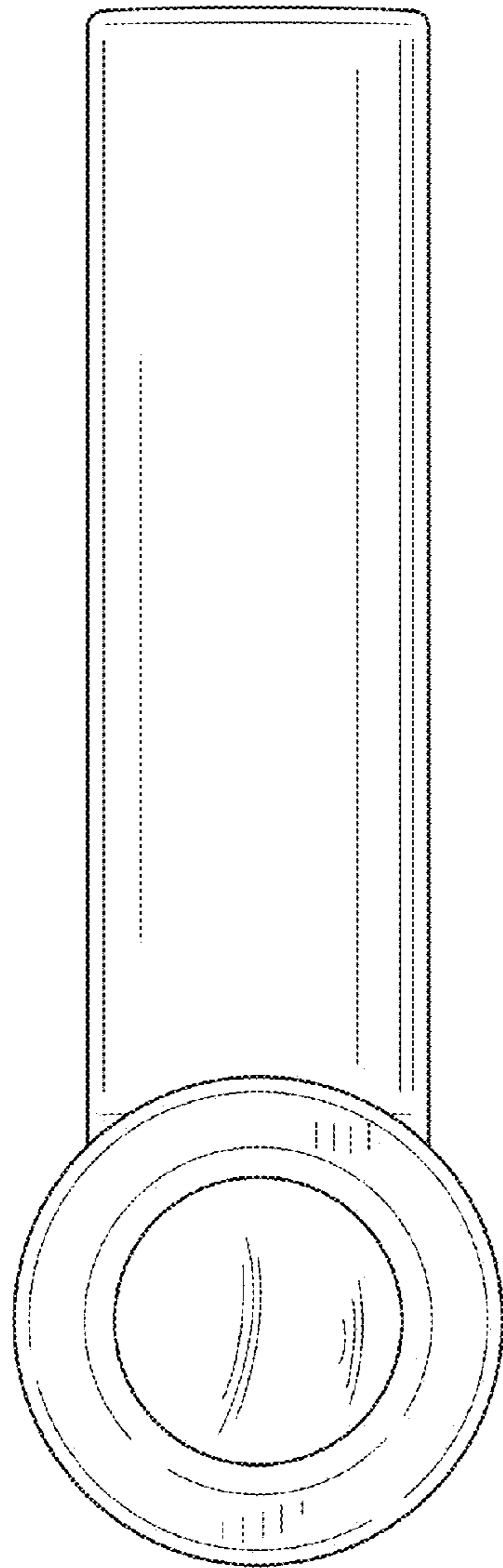


FIG.7

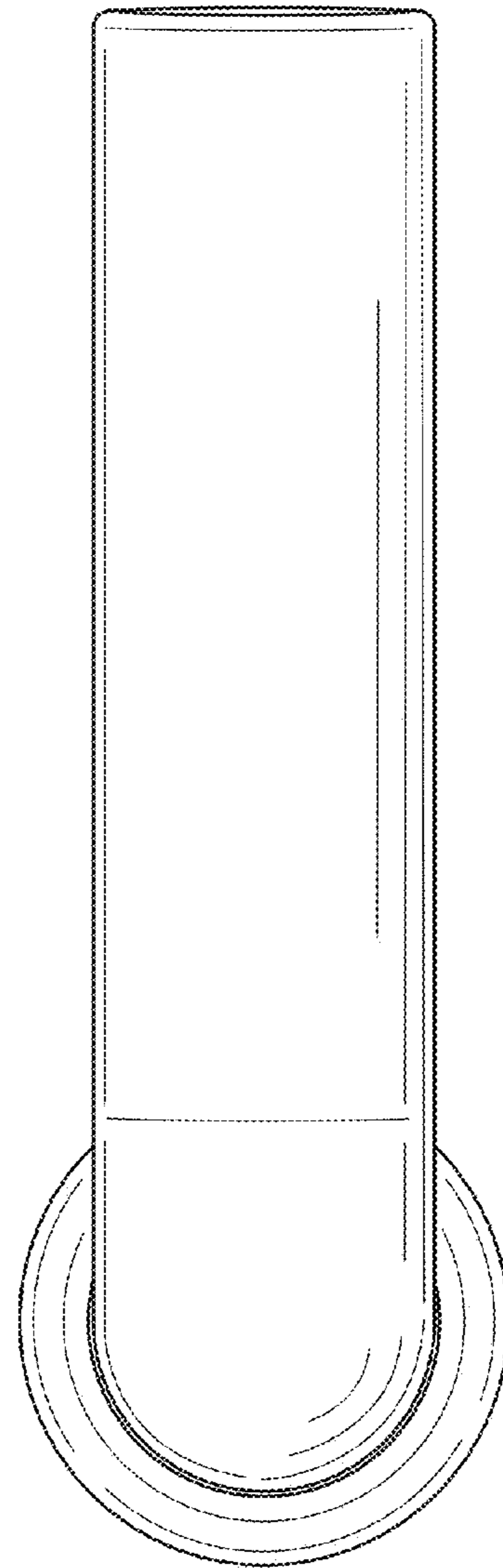


FIG.8