



US00D729355S

(12) **United States Design Patent**
Kieper

(10) **Patent No.:** **US D729,355 S**

(45) **Date of Patent:** **** May 12, 2015**

(54) **FLANGE**

(71) Applicant: **Nibco Inc.**, Elkhart, IN (US)

(72) Inventor: **Douglas A. Kieper**, Sellersburg, IN (US)

(73) Assignee: **Nibco Inc.**, Elkhart, IN (US)

(**) Term: **14 Years**

(21) Appl. No.: **29/452,923**

(22) Filed: **Apr. 23, 2013**

(51) **LOC (10) Cl.** **23-01**

(52) **U.S. Cl.**
USPC **D23/262**

(58) **Field of Classification Search**
USPC D23/233, 245, 259–269; 285/86–93
See application file for complete search history.

(56) **References Cited**

U.S. PATENT DOCUMENTS

173,446	A *	2/1876	Cottman	47/32
515,119	A	2/1894	Edwards	
D29,291	S *	8/1898	Rice	D23/265
652,396	A	6/1900	Lovekin	
2,303,311	A	11/1942	Gredell	
2,412,487	A	12/1946	Amley et al.	
2,846,154	A *	8/1958	Wieczorek	241/46.015
3,065,000	A *	11/1962	Stanton	285/148.25
3,514,127	A *	5/1970	Brooker	285/41
4,269,417	A *	5/1981	Dutton	277/390
D274,210	S *	6/1984	Haggard	D8/1
4,516,784	A *	5/1985	Merz	277/639
D284,022	S *	5/1986	Milot et al.	D23/265
D284,164	S *	6/1986	Tseng	D8/382
4,827,539	A *	5/1989	Kiziah	4/252.4
5,135,133	A	8/1992	Frost	
D334,051	S *	3/1993	Fell, Sr.	D23/262
D361,635	S *	8/1995	Sarnoff et al.	D32/42
5,749,607	A *	5/1998	Carr	285/93
D462,256	S *	9/2002	Jaynes	D8/382
6,948,717	B1 *	9/2005	Carr	277/609

D574,066	S *	7/2008	Hanna	D23/261
D574,931	S *	8/2008	Hughes	D23/262
D576,257	S *	9/2008	Rattenbury	D23/260
D590,702	S *	4/2009	Giddings	D8/382
D599,444	S *	9/2009	Jones	D23/261
7,748,672	B2 *	7/2010	Walke	248/207
D635,224	S *	3/2011	Rigolio	D23/262
D646,762	S *	10/2011	Terry et al.	D23/259
D654,152	S *	2/2012	Schulz	D23/260
D682,994	S *	5/2013	Schulz	D23/259
D683,436	S *	5/2013	Feliciano	D23/261
D687,526	S *	8/2013	Heiser	D23/261
D687,527	S *	8/2013	Heiser et al.	D23/261
D704,312	S *	5/2014	Kuo	D23/259
D715,901	S *	10/2014	Antoniello	D23/259
2008/0271232	A1 *	11/2008	Self	4/292
2009/0220294	A1 *	9/2009	Proulx et al.	403/14
2010/0126924	A1 *	5/2010	Hawkins et al.	210/232

FOREIGN PATENT DOCUMENTS

DE 4028237 3/1992

* cited by examiner

Primary Examiner — Celia Murphy

Assistant Examiner — John Reickel

(74) *Attorney, Agent, or Firm* — Price Heneveld LLP

(57) **CLAIM**

I claim the ornamental design for a flange, as shown.

DESCRIPTION

FIG. 1 is a top perspective view of the flange of the present invention;

FIG. 2 is a front elevational view of the flange shown in FIG. 1;

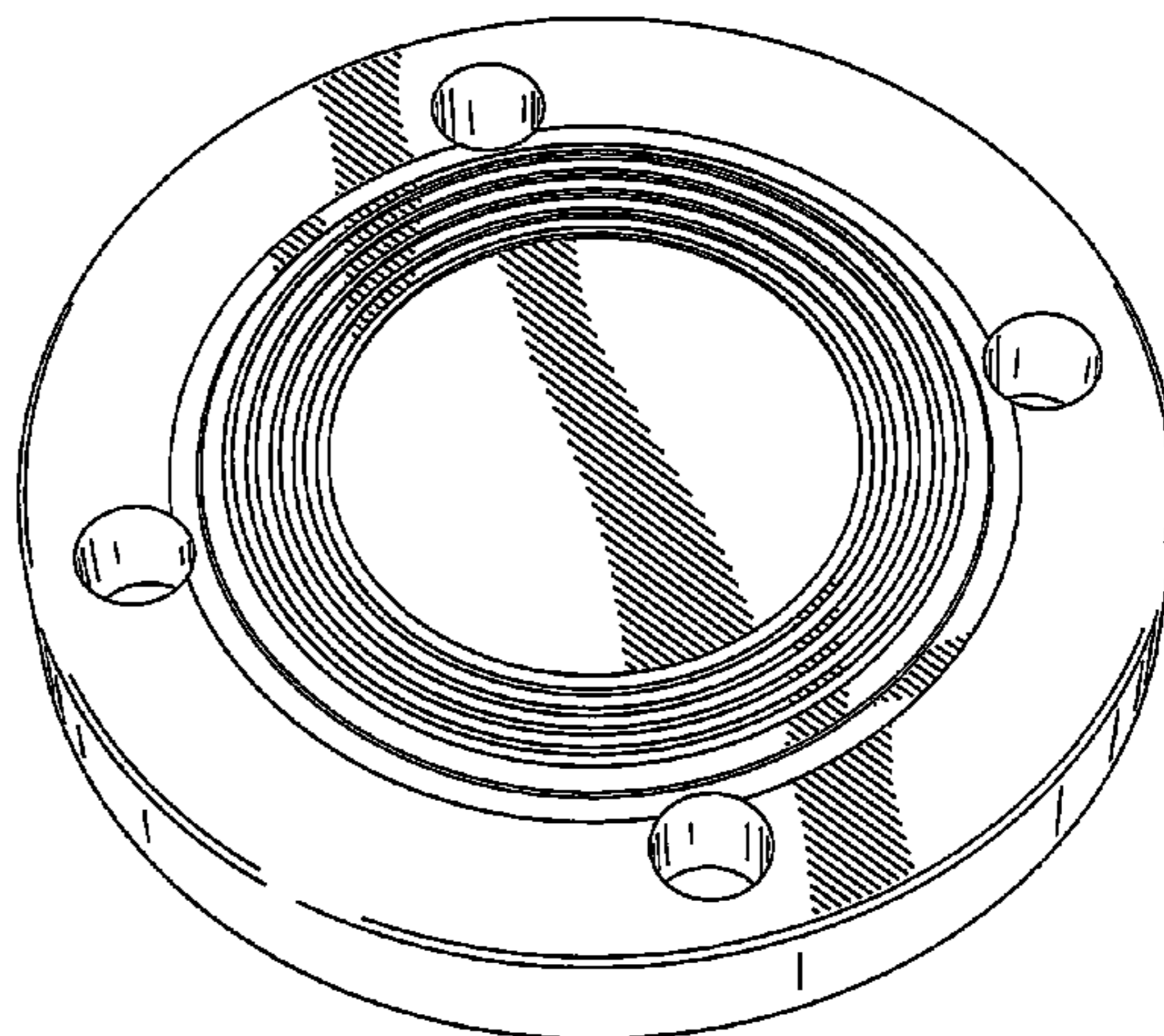
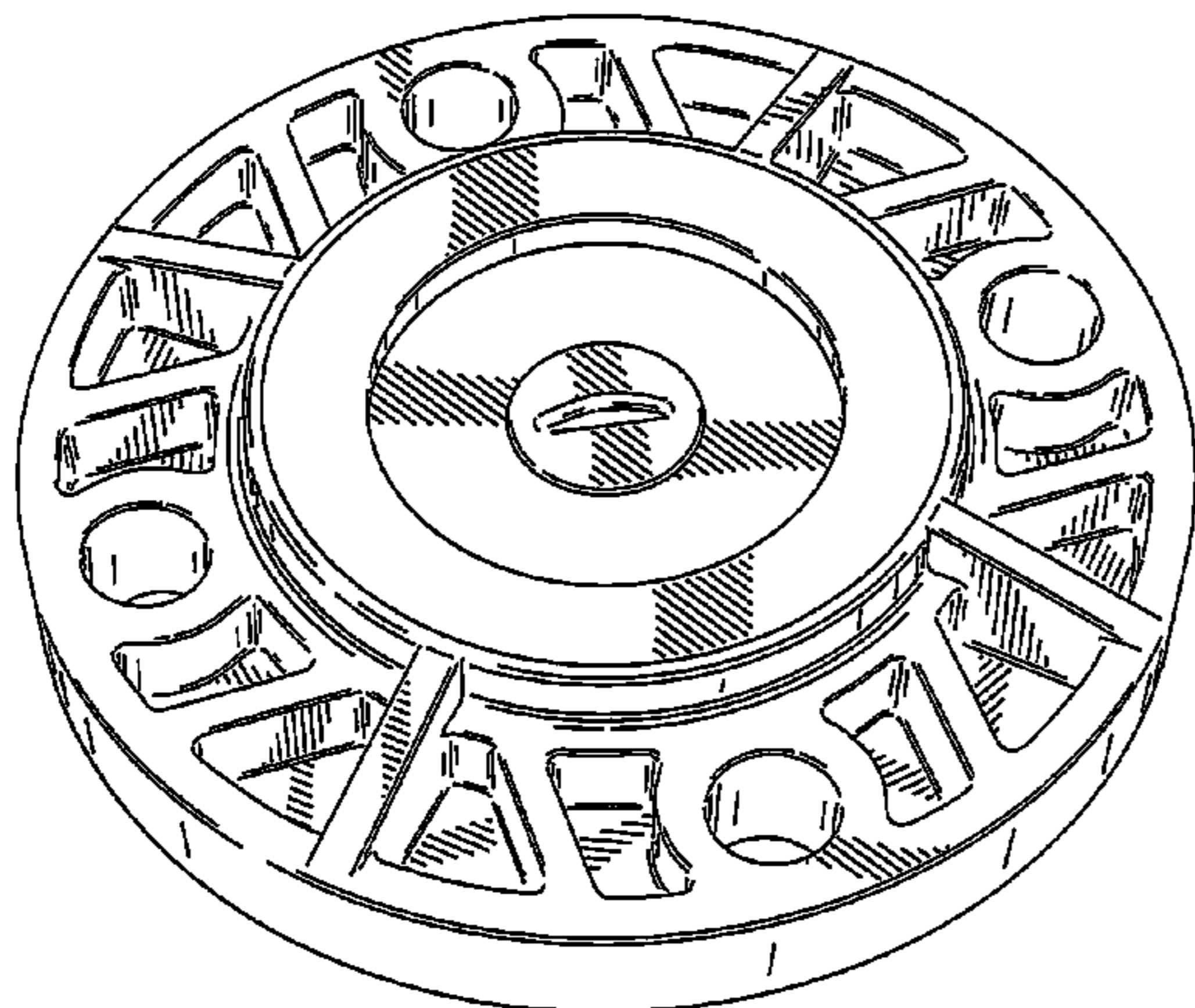
FIG. 3 is a side elevational view of the flange shown in FIG. 2, rotated 45°;

FIG. 4 is a top plan view of the flange;

FIG. 5 is a bottom plan view of the flange; and,

FIG. 6 is a bottom perspective view of the flange.

1 Claim, 5 Drawing Sheets



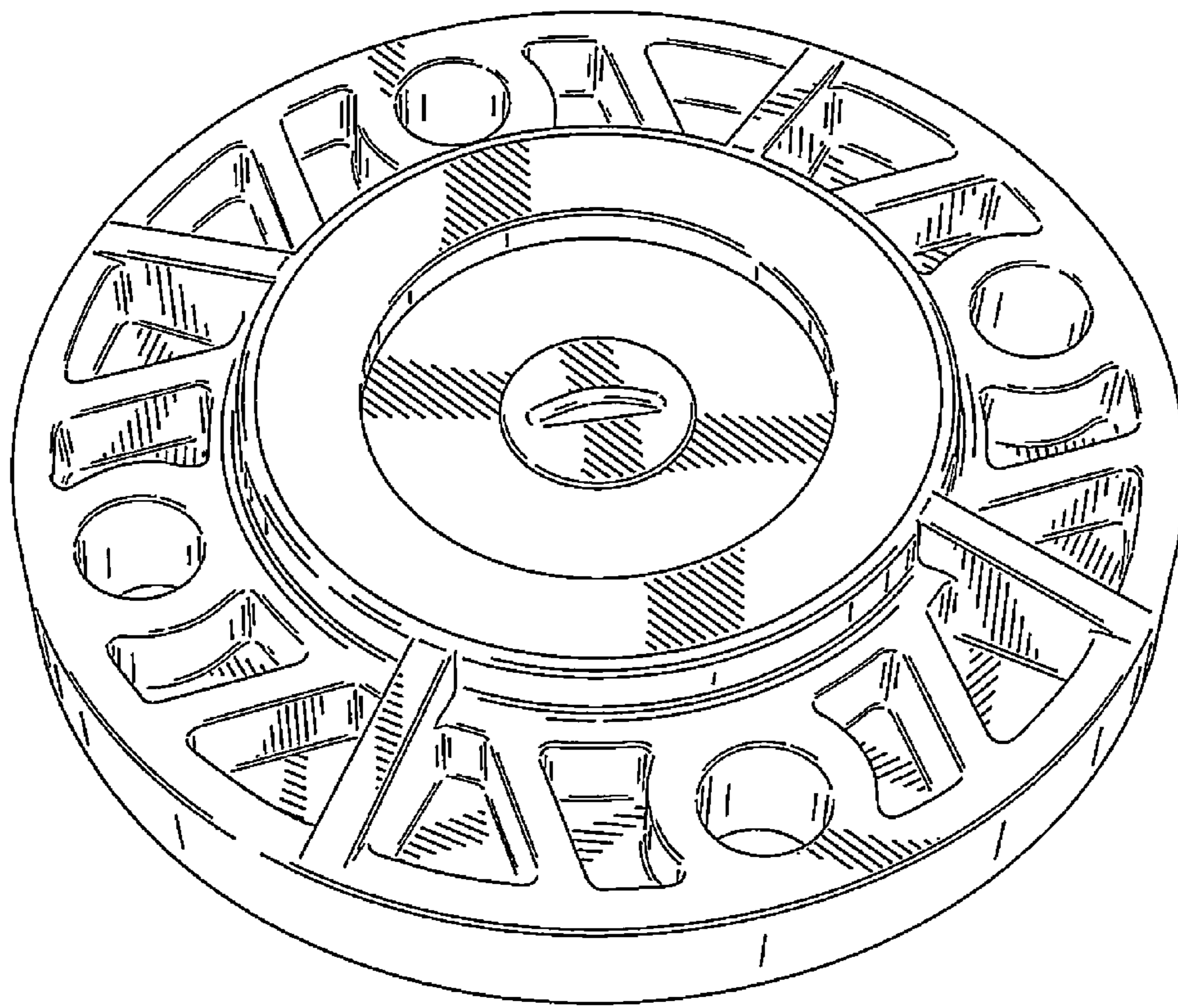


FIG. 1

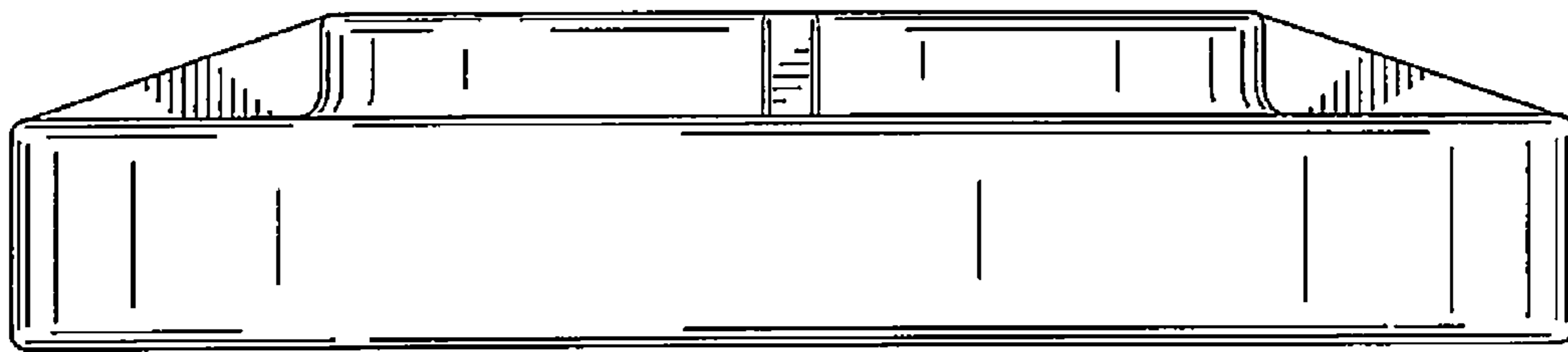


FIG. 2

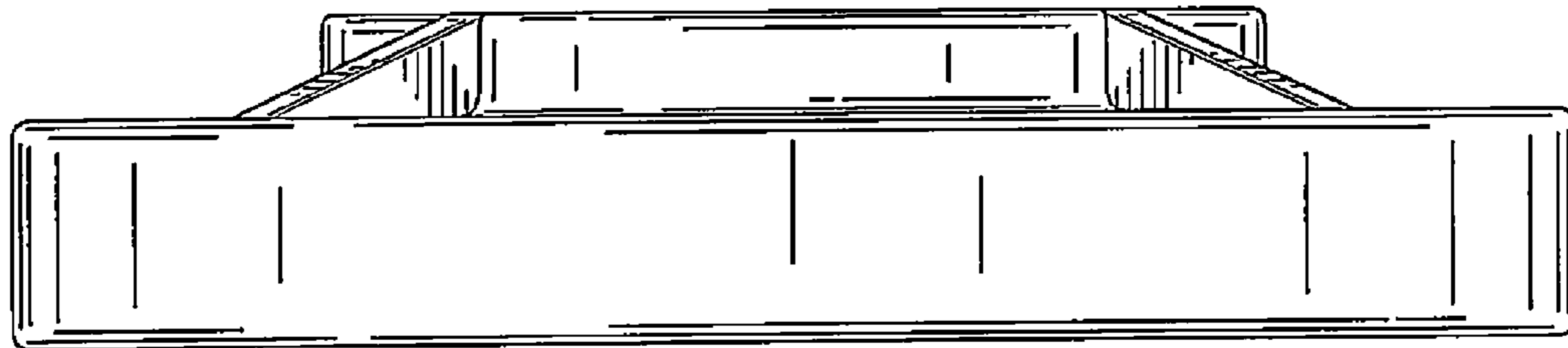


FIG. 3

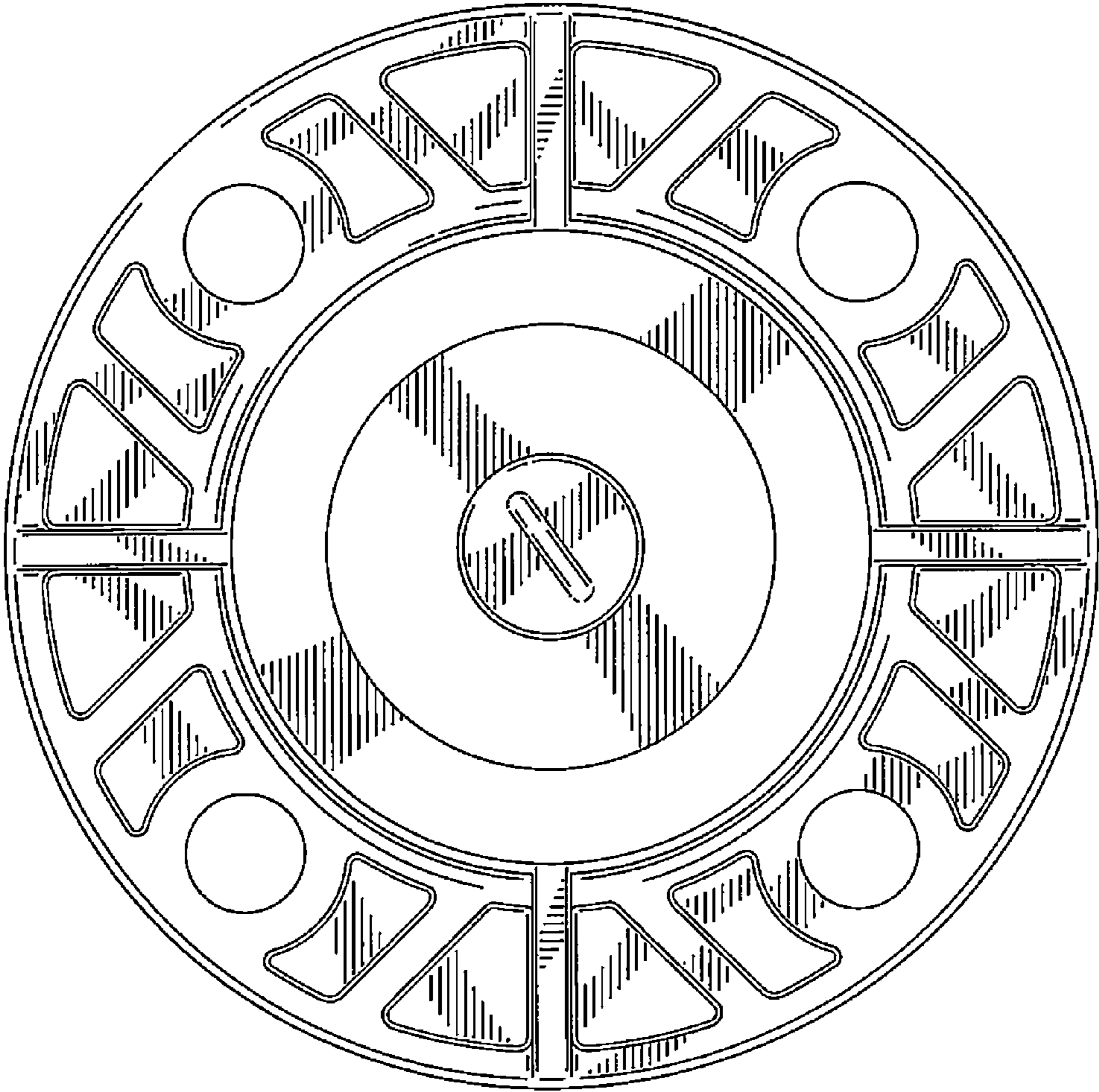


FIG. 4

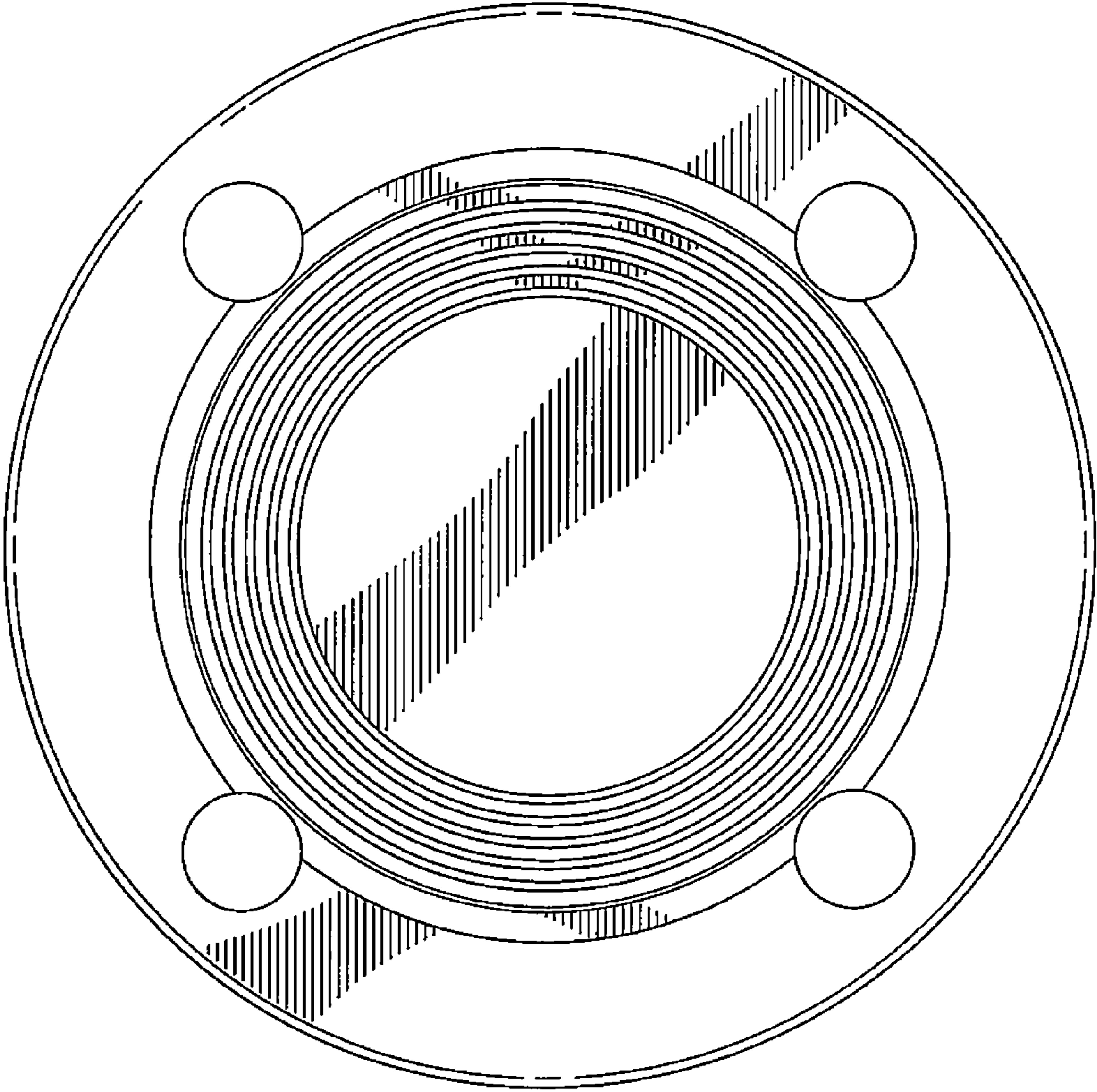


FIG. 5

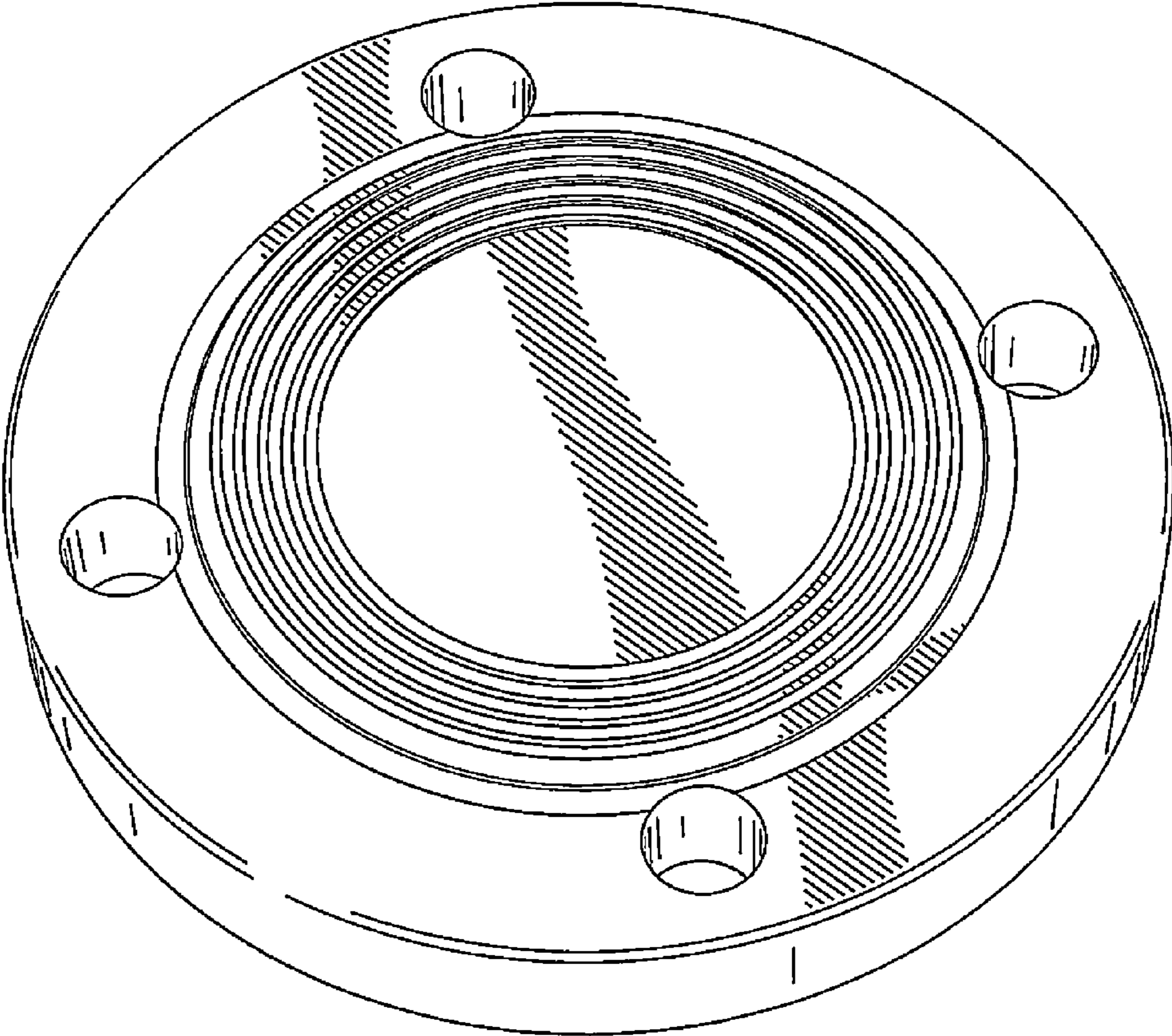


FIG. 6