



US00D729350S

(12) **United States Design Patent**
Bahler

(10) **Patent No.:** **US D729,350 S**

(45) **Date of Patent:** **** May 12, 2015**

(54) **FAUCET HANDLE**

(71) Applicant: **Masco Corporation of Indiana,**
Indianapolis, IN (US)

(72) Inventor: **Jordan Renee Bahler,** Westfield, IN
(US)

(73) Assignee: **Delta Faucet Company,** Indianapolis,
IN (US)

(**) Term: **14 Years**

(21) Appl. No.: **29/488,637**

(22) Filed: **Apr. 22, 2014**

(51) **LOC (10) Cl.** **23-01**

(52) **U.S. Cl.**
USPC **D23/252**

(58) **Field of Classification Search**
CPC E03C 1/04; E03C 1/0401; E03C 1/0402;
E03C 1/0404
USPC D23/238, 241-243, 249-250, 252, 254
See application file for complete search history.

(56) **References Cited**

U.S. PATENT DOCUMENTS

D587,786 S *	3/2009	Williams	D23/252
D631,137 S *	1/2011	Ke et al.	D23/252
D648,830 S *	11/2011	Corbett	D23/252
D664,243 S *	7/2012	Liao	D23/252

* cited by examiner

Primary Examiner — Robert Delehanty

(74) *Attorney, Agent, or Firm* — Edgar A. Zarins; Nirav D. Parikh

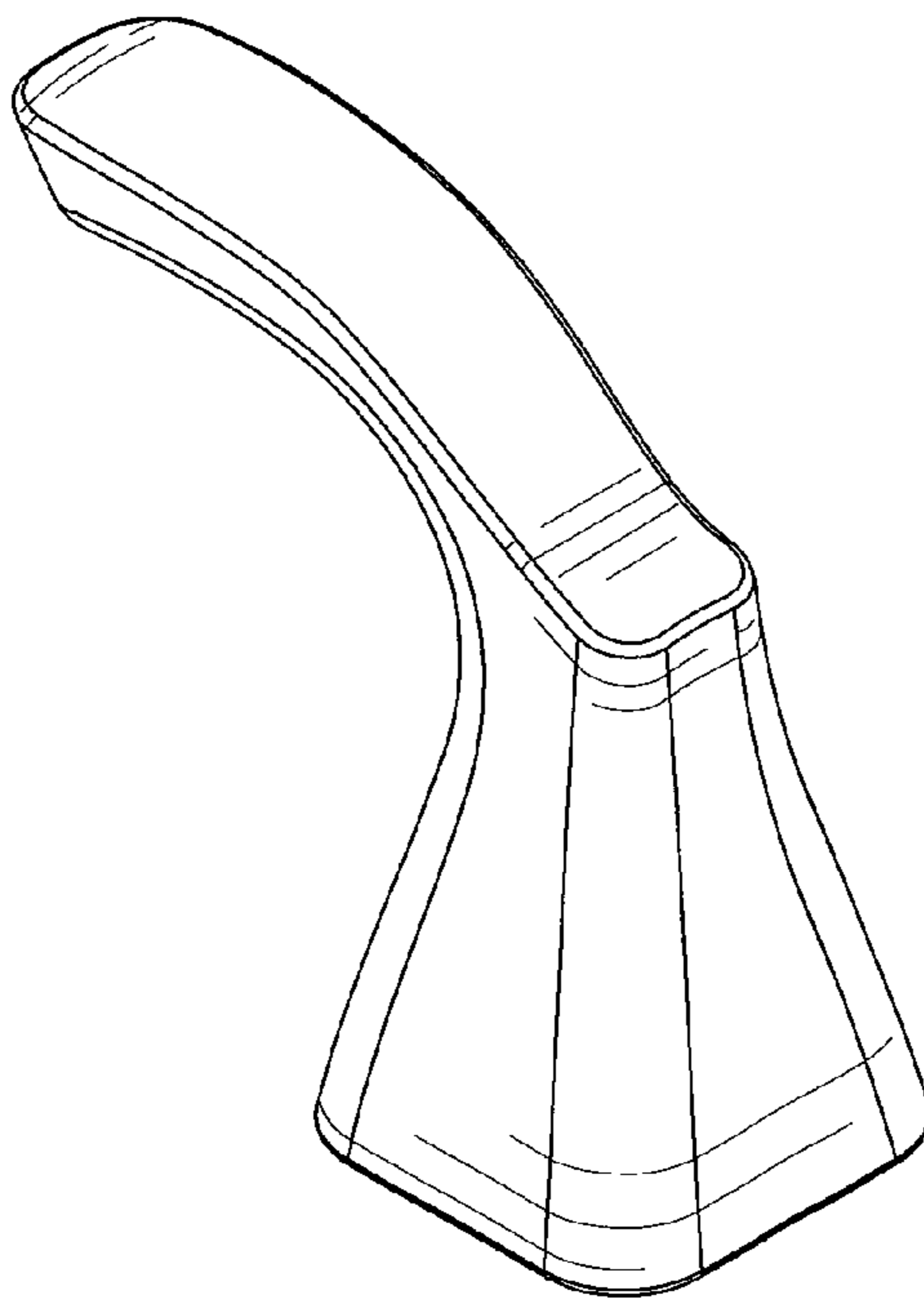
(57) **CLAIM**

The ornamental design for a faucet handle, as shown and described.

DESCRIPTION

FIG. 1 is a perspective view of a faucet handle showing my new design;
FIG. 2 is a first side view thereof;
FIG. 3 is a second side view thereof;
FIG. 4 is a first end view thereof;
FIG. 5 is a top plan view thereof;
FIG. 6 is a second end view thereof; and,
FIG. 7 is a bottom view thereof.
The broken line showing a plumbing opening is shown to illustrate a portion of the faucet handle that forms no part of the claimed design.

1 Claim, 2 Drawing Sheets



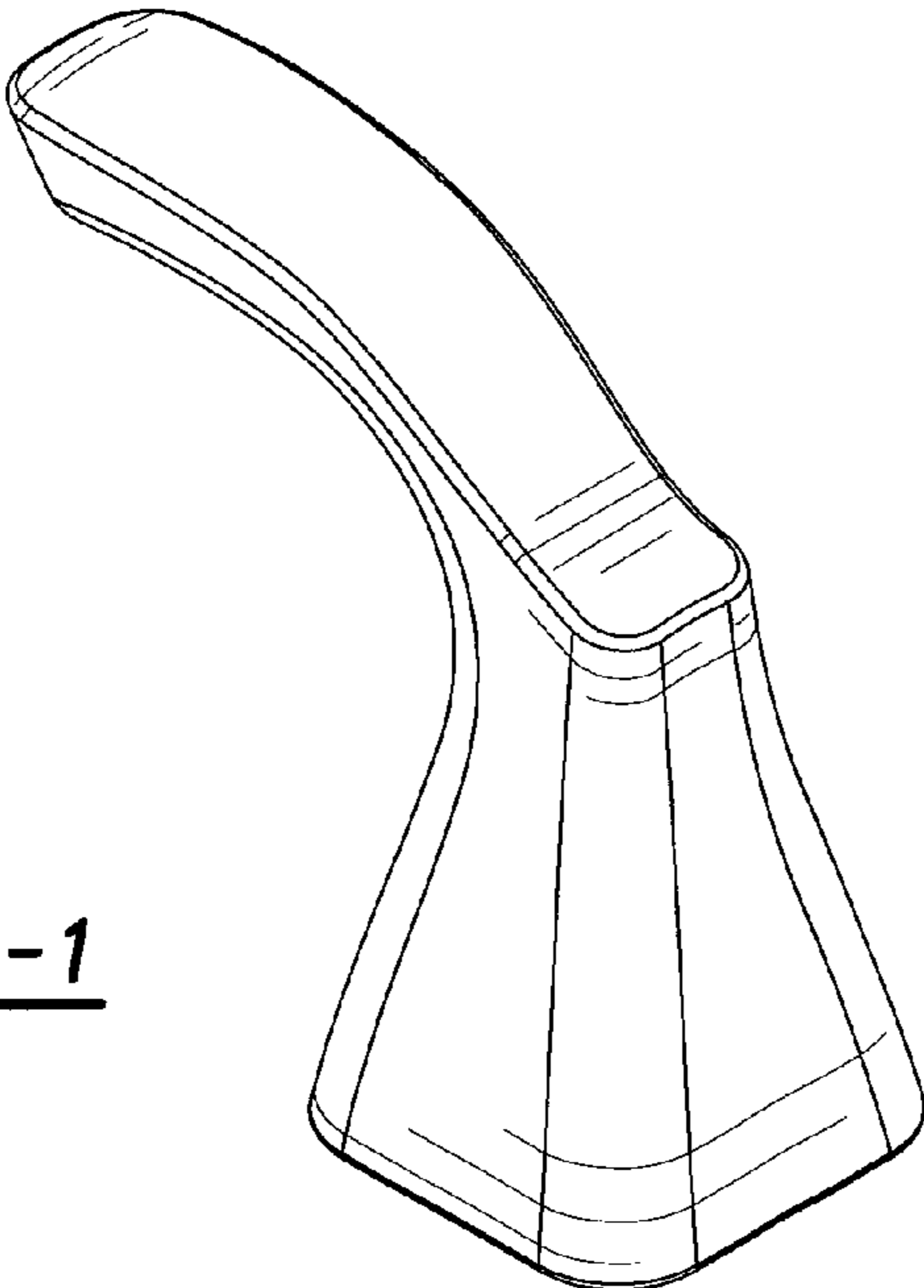


Fig-1

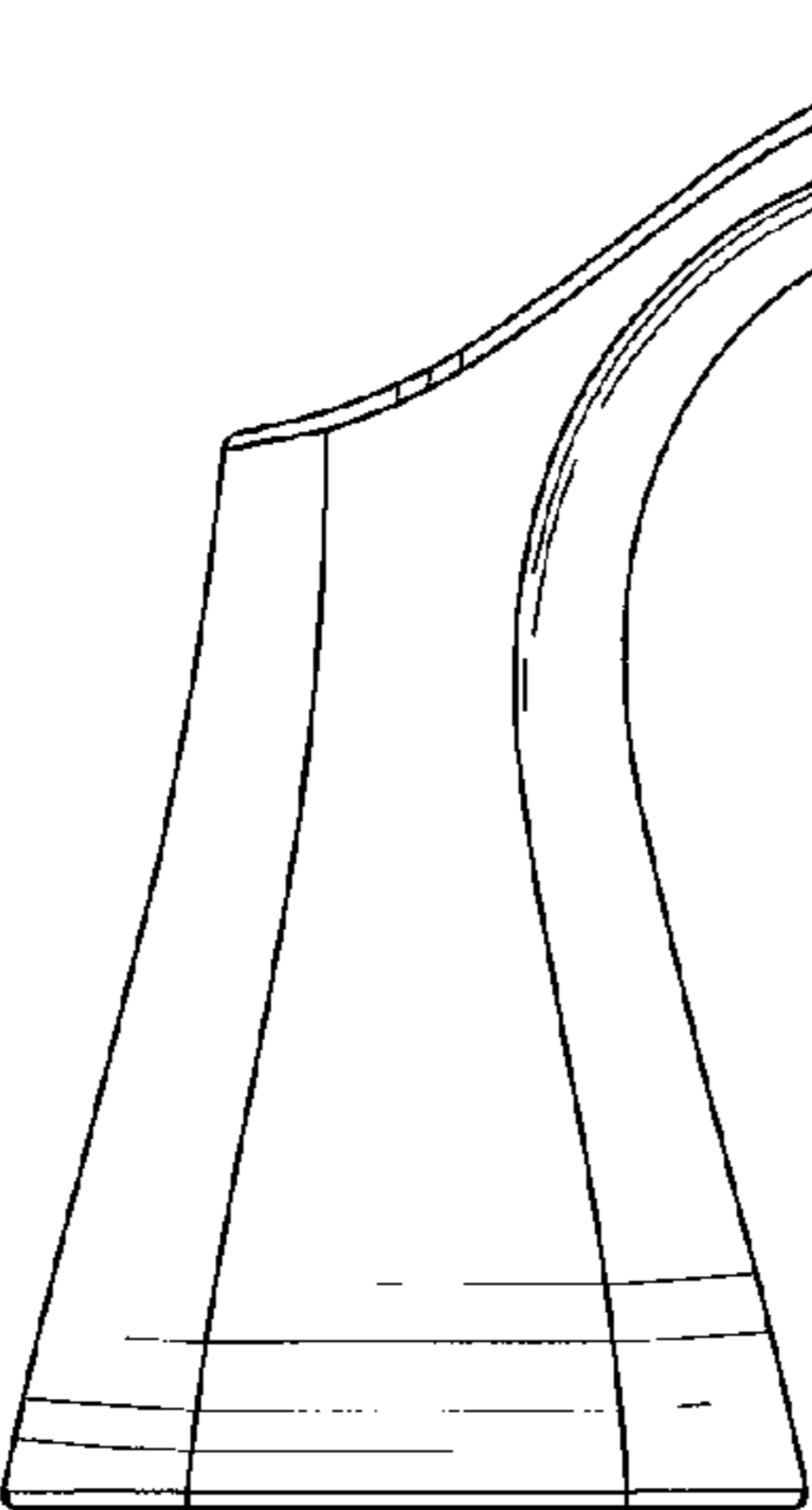


Fig-2

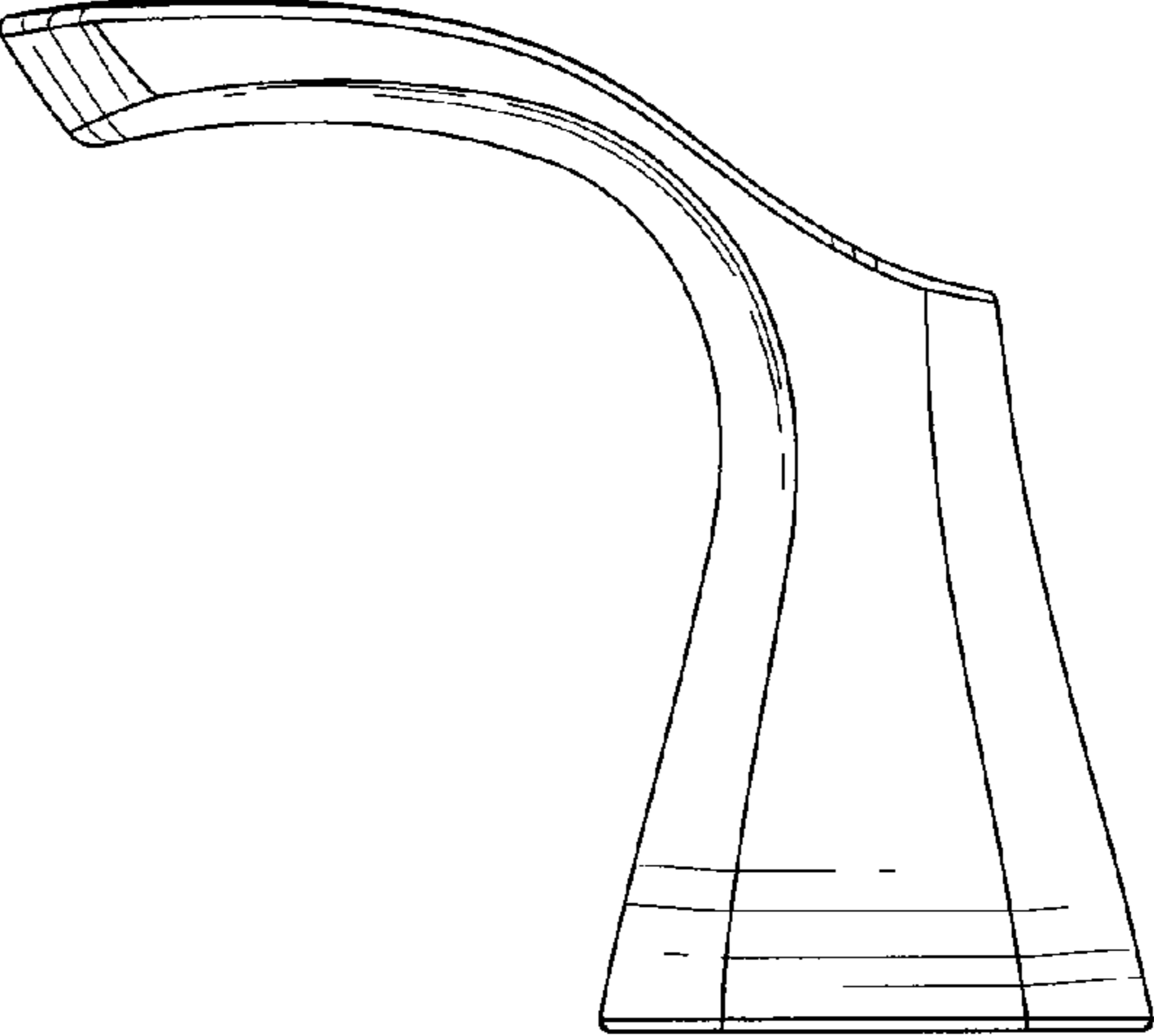


Fig-3

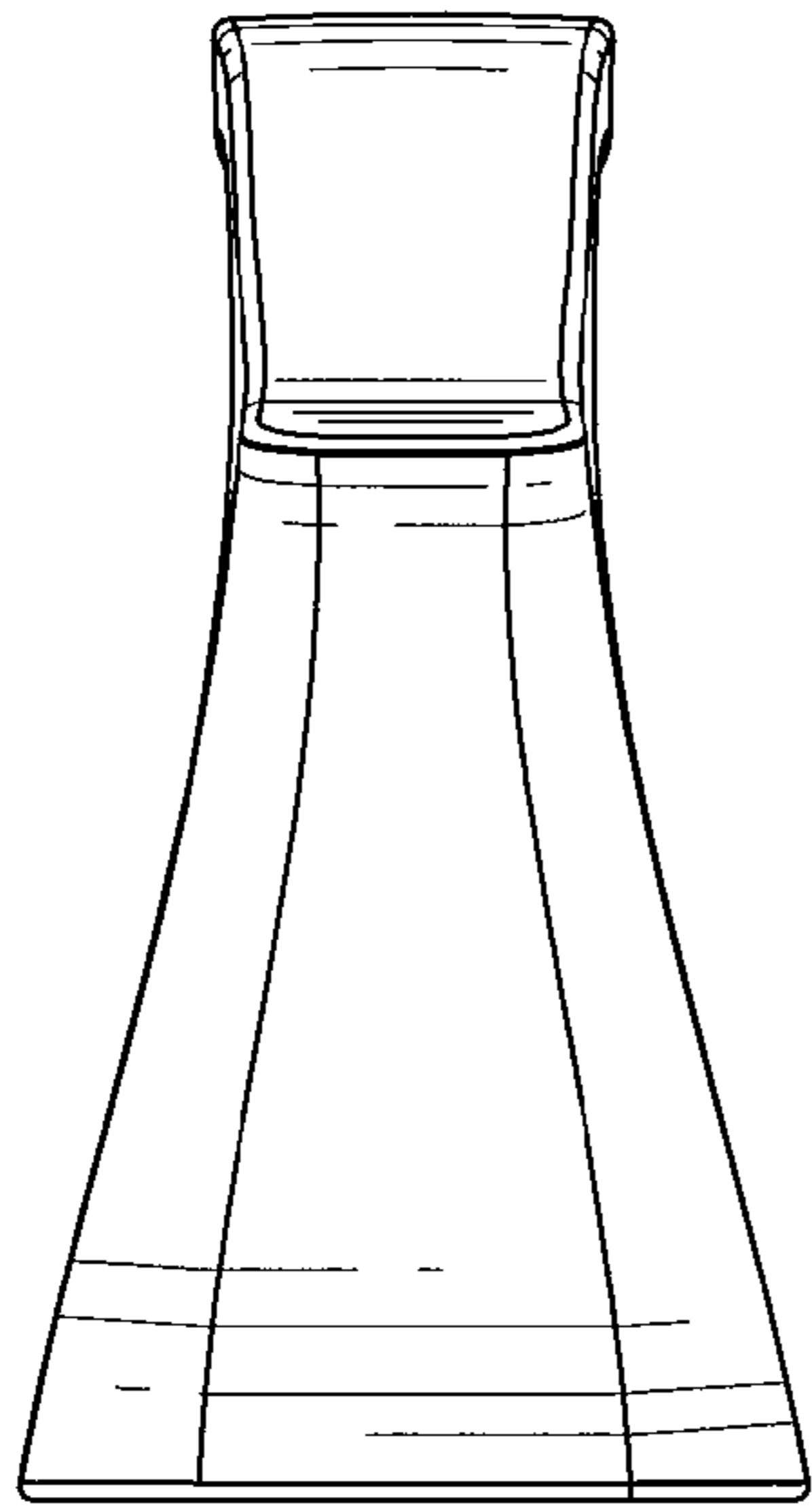


Fig-4

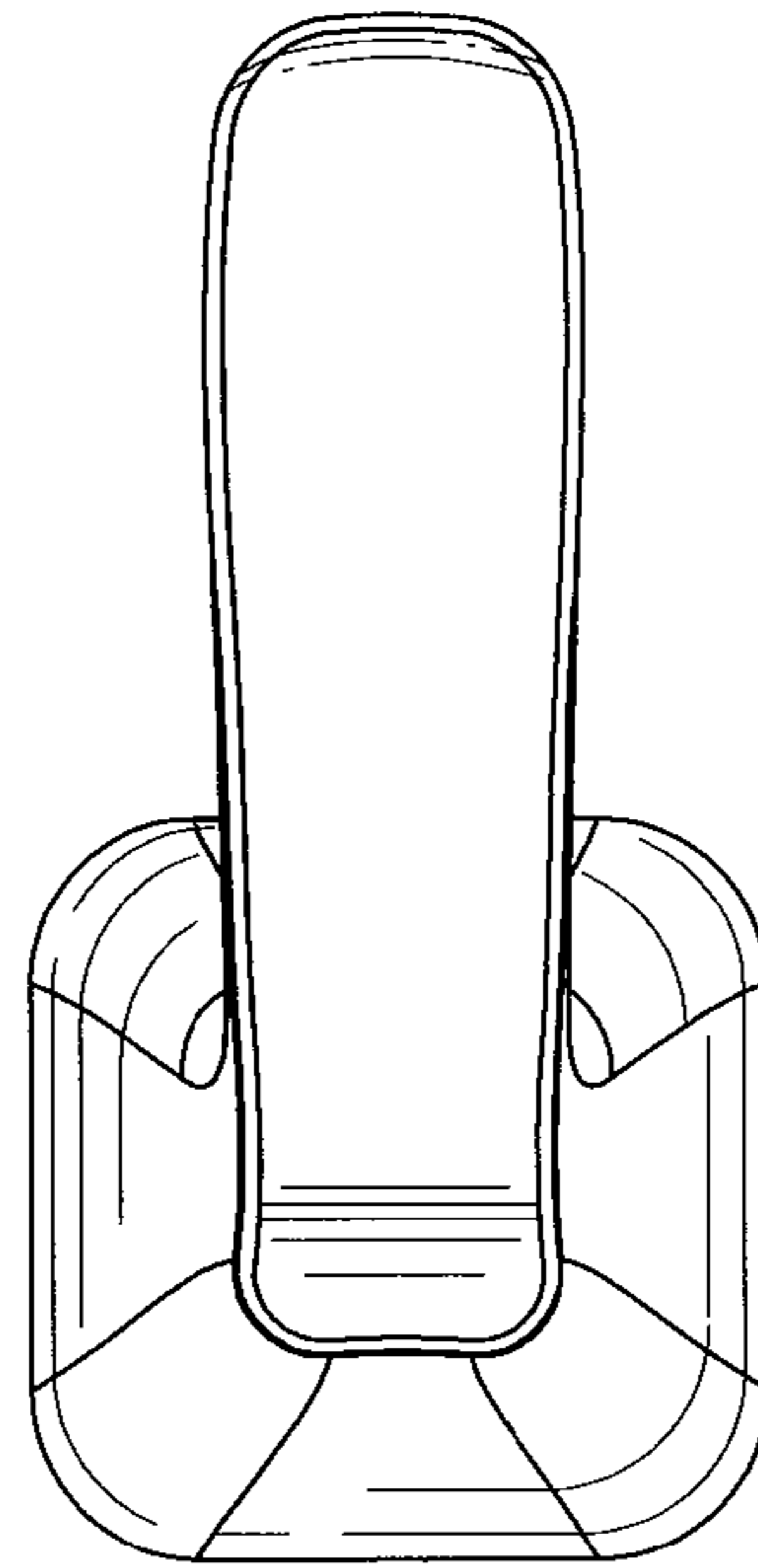


Fig-5

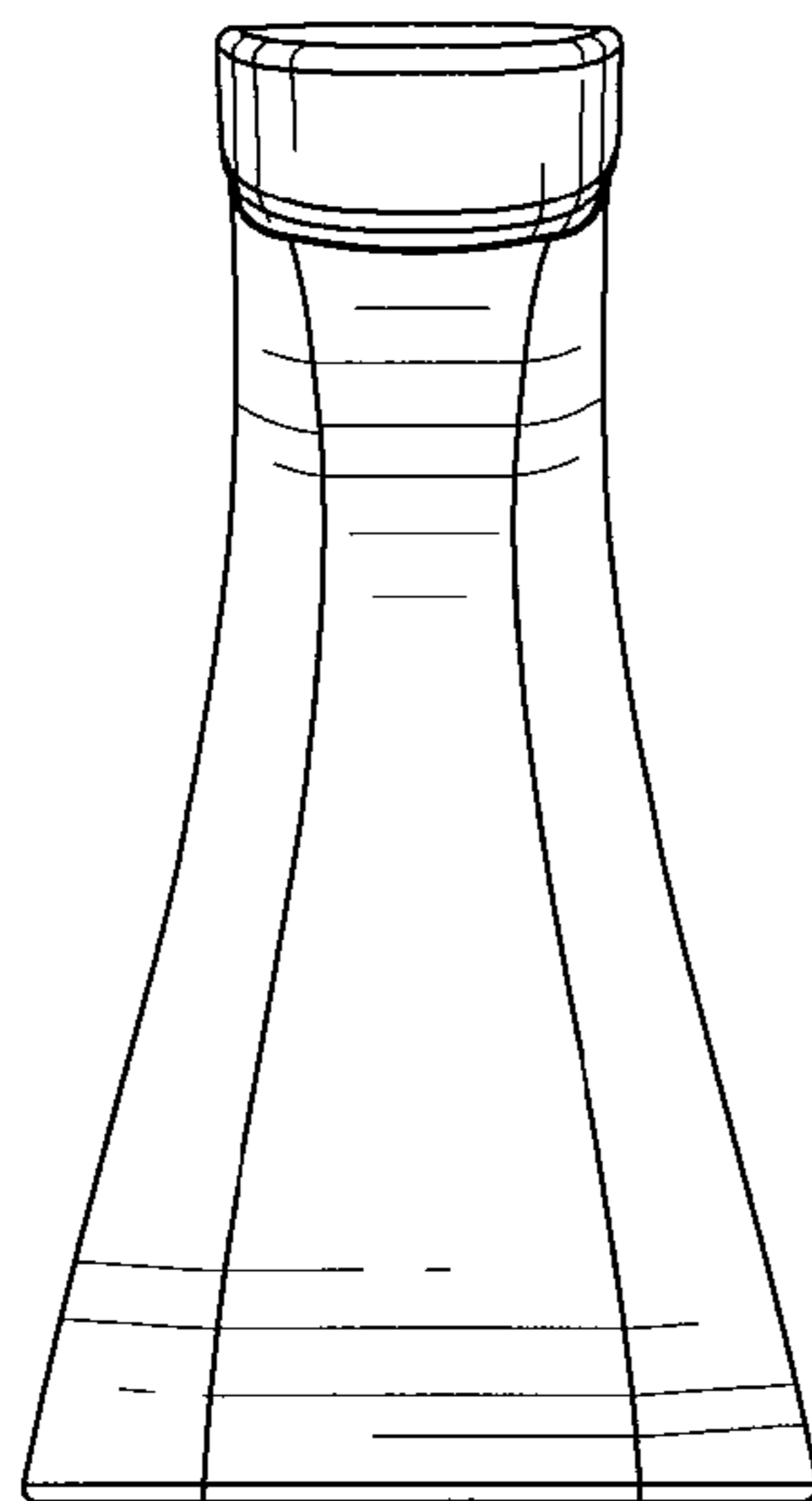


Fig-6

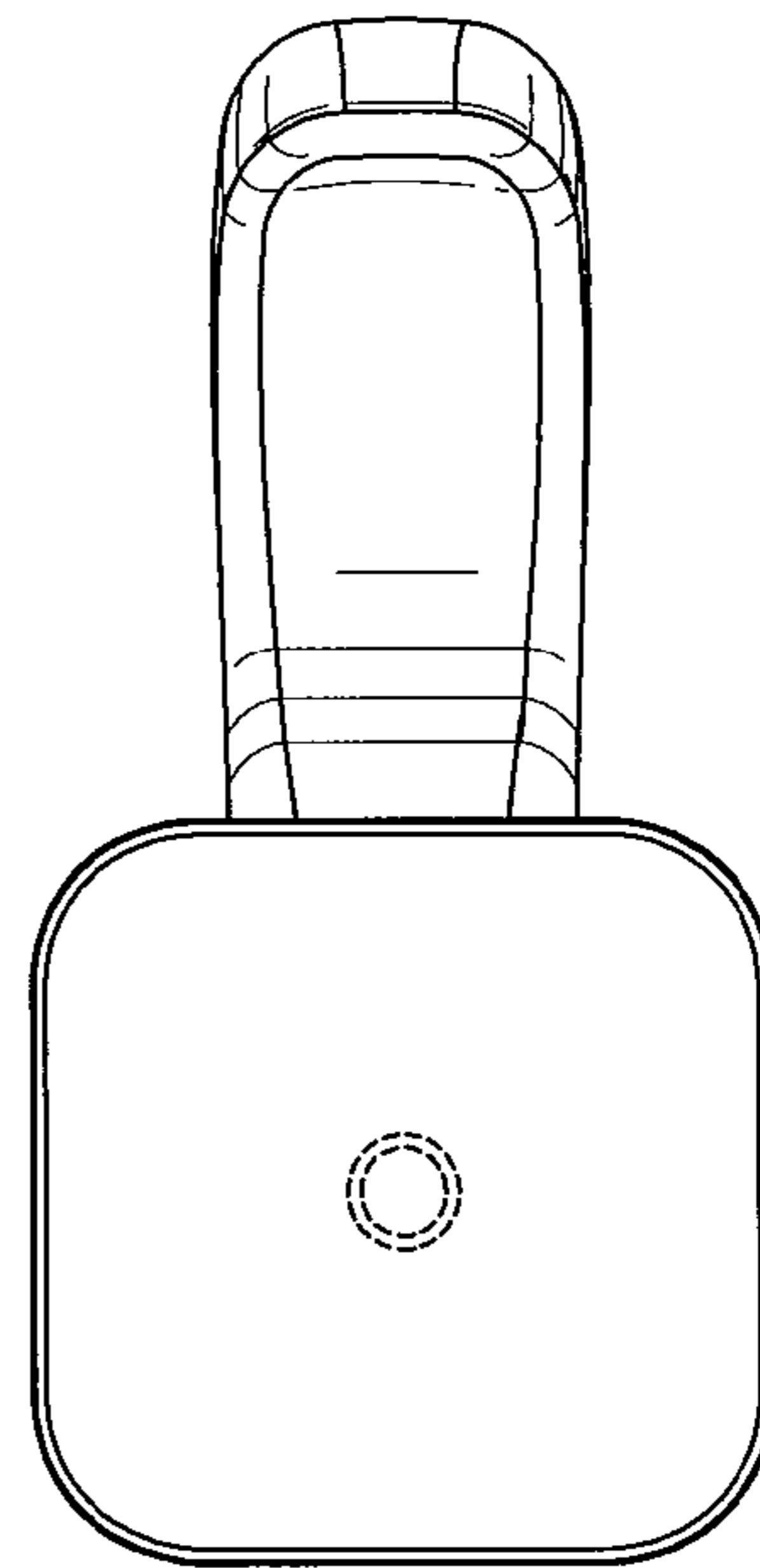


Fig-7