



US00D729346S

(12) **United States Design Patent**  
**Benz et al.**

(10) **Patent No.:** **US D729,346 S**

(45) **Date of Patent:** **\*\* May 12, 2015**

(54) **VALVE**

(71) Applicant: **Fluid Automation Systems S.A.,**  
Versoix (CH)

(72) Inventors: **Stephane Benz**, Collombey (CH);  
**Pauline Labory**, Chevry (FR)

(73) Assignee: **Fluid Automation Systems SA**, Versoix  
(CH)

(\*\*) Term: **14 Years**

(21) Appl. No.: **29/485,671**

(22) Filed: **Mar. 21, 2014**

(51) **LOC (10) Cl.** ..... **23-01**

(52) **U.S. Cl.**

USPC ..... **D23/233**

(58) **Field of Classification Search**

CPC . F16K 31/0655; F16K 31/06; F16K 31/0675;  
F16K 27/029; F16K 31/02; F16K 31/082;  
F16K 27/048; F16K 31/426; F16K 31/44;  
F16K 37/0083; F16K 39/022

USPC ..... D23/233-250; 251/129.16, 129.15,  
251/129.01, 149.8; 123/179.3, 406.69;  
29/825; 335/226, 256, 259; D13/183;  
137/625.64, 85

See application file for complete search history.

(56) **References Cited**

**U.S. PATENT DOCUMENTS**

3,961,298 A \* 6/1976 Jaffe et al. .... 335/259  
3,970,981 A \* 7/1976 Coors ..... 335/266  
4,282,501 A \* 8/1981 Myers ..... 335/258  
5,244,180 A \* 9/1993 Wakeman et al. .... 251/129.16  
D363,702 S \* 10/1995 McFadden ..... D13/183  
6,386,220 B1 \* 5/2002 Koenings ..... 137/15.21  
7,051,993 B2 \* 5/2006 Kim et al. .... 251/129.15

2006/0138374 A1\* 6/2006 Lucas et al. .... 251/129.16  
2013/0174801 A1\* 7/2013 Chan ..... 123/179.3  
2014/0001386 A1\* 1/2014 Chuang ..... 251/129.15

\* cited by examiner

*Primary Examiner* — Cynthia Ramirez

*Assistant Examiner* — Gino Colan

(74) *Attorney, Agent, or Firm* — The Ollila Law Group LLC

(57) **CLAIM**

The ornamental design for a valve, as shown and described.

**DESCRIPTION**

FIG. 1 is a perspective view of a valve showing our new design;

FIG. 2 is a front view thereof;

FIG. 3 is a rear view thereof;

FIG. 4 is a right side view thereof;

FIG. 5 is a left side view thereof;

FIG. 6 is a top view thereof;

FIG. 7 is a bottom view thereof;

FIG. 8 is a perspective view of a valve showing a second embodiment of our new design;

FIG. 9 is a front view thereof;

FIG. 10 is a rear view thereof;

FIG. 11 is a right side view thereof;

FIG. 12 is a left side view thereof;

FIG. 13 is a top view thereof;

FIG. 14 is a bottom view thereof;

FIG. 15 is a perspective view of a valve showing a third embodiment of our new design;

FIG. 16 is a front view thereof;

FIG. 17 is a rear view thereof;

FIG. 18 is a right side view thereof;

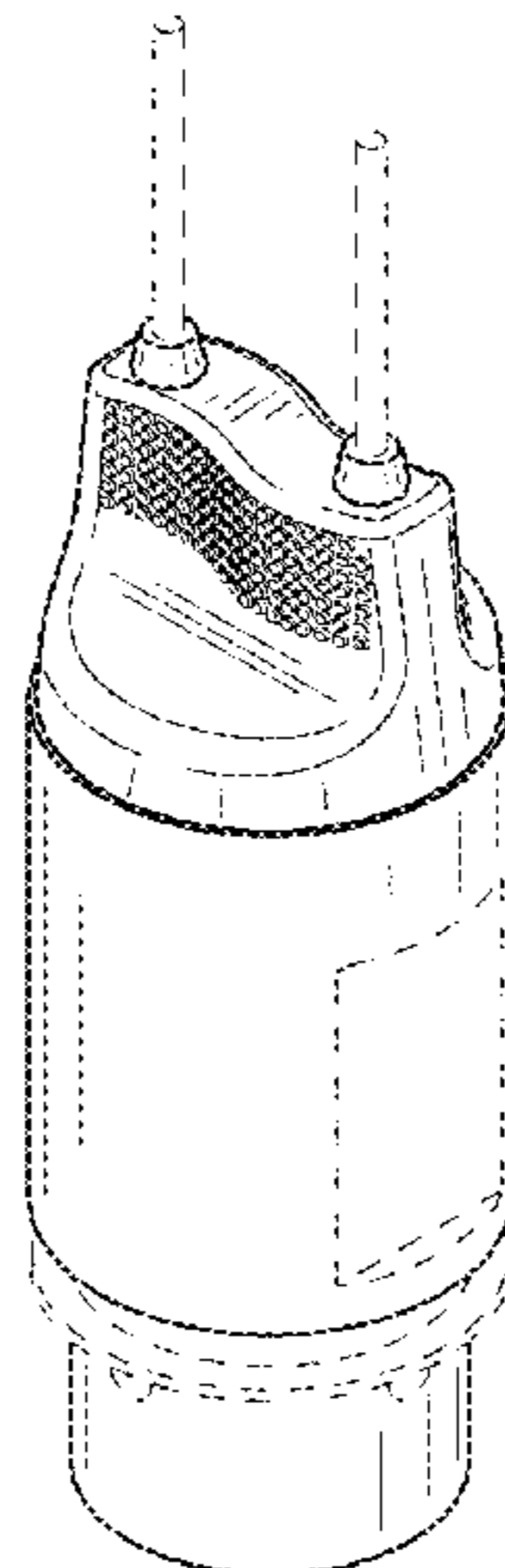
FIG. 19 is a left side view thereof;

FIG. 20 is a top view thereof; and,

FIG. 21 is a bottom view thereof.

The broken lines show portions of the valve which form no part of the claimed design.

**1 Claim, 12 Drawing Sheets**



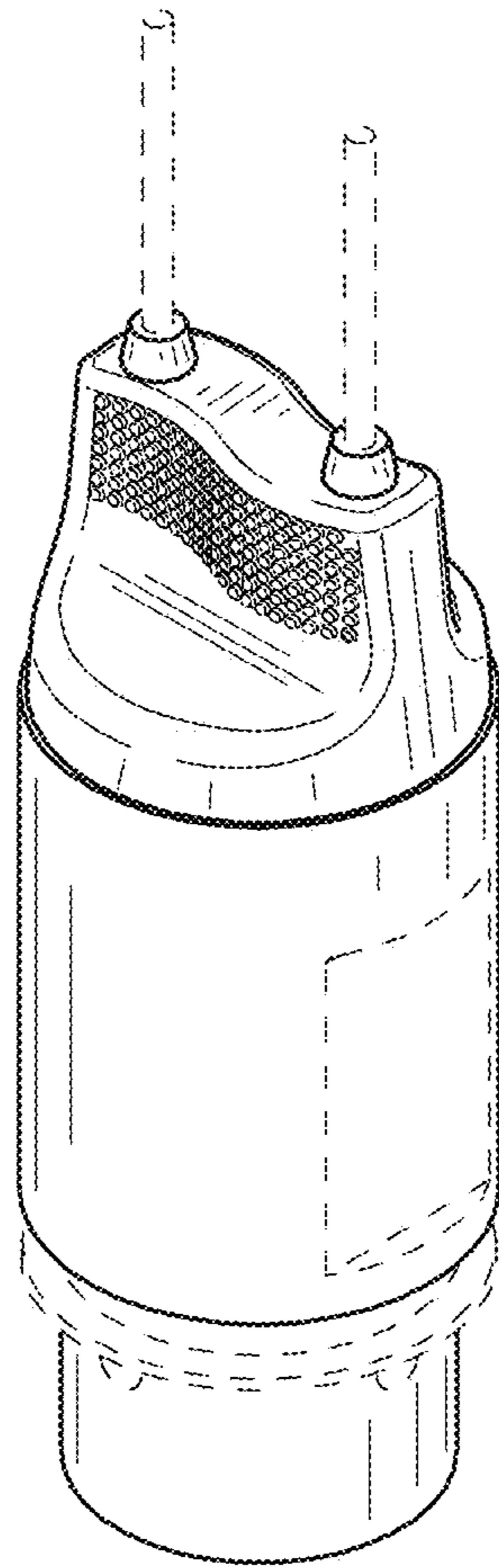


FIG.1

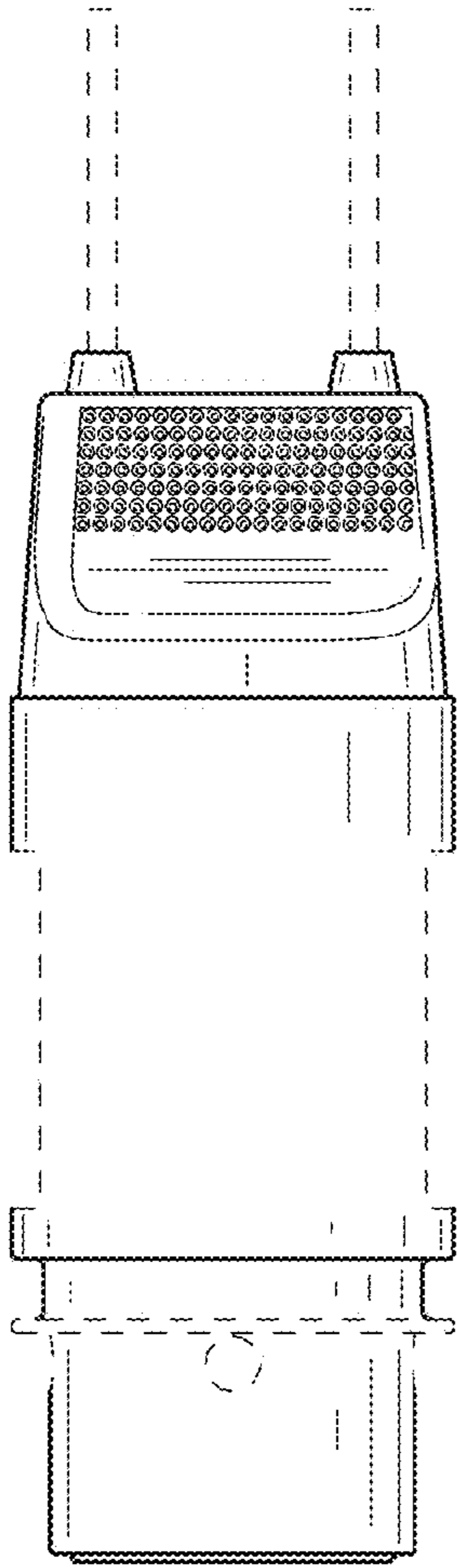


FIG. 2

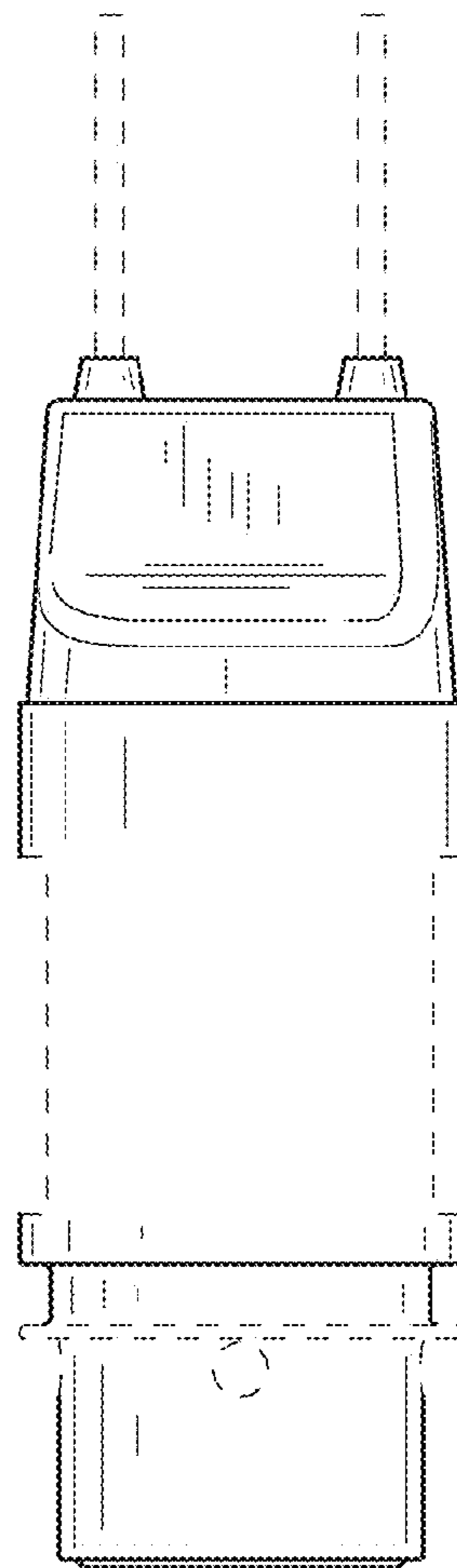


FIG. 3

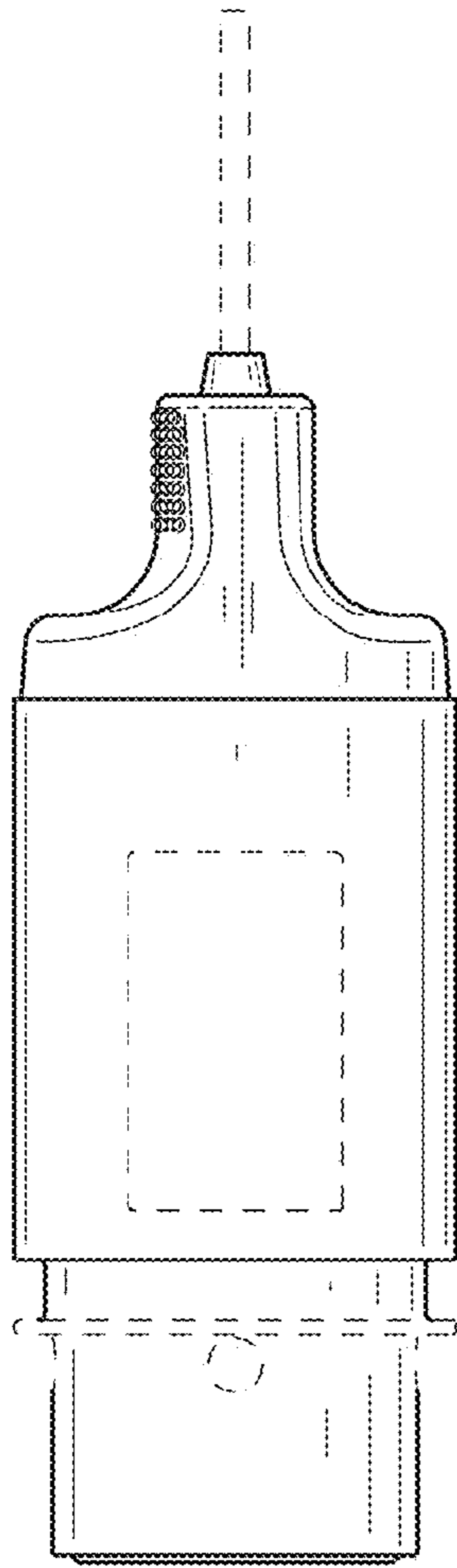


FIG.4

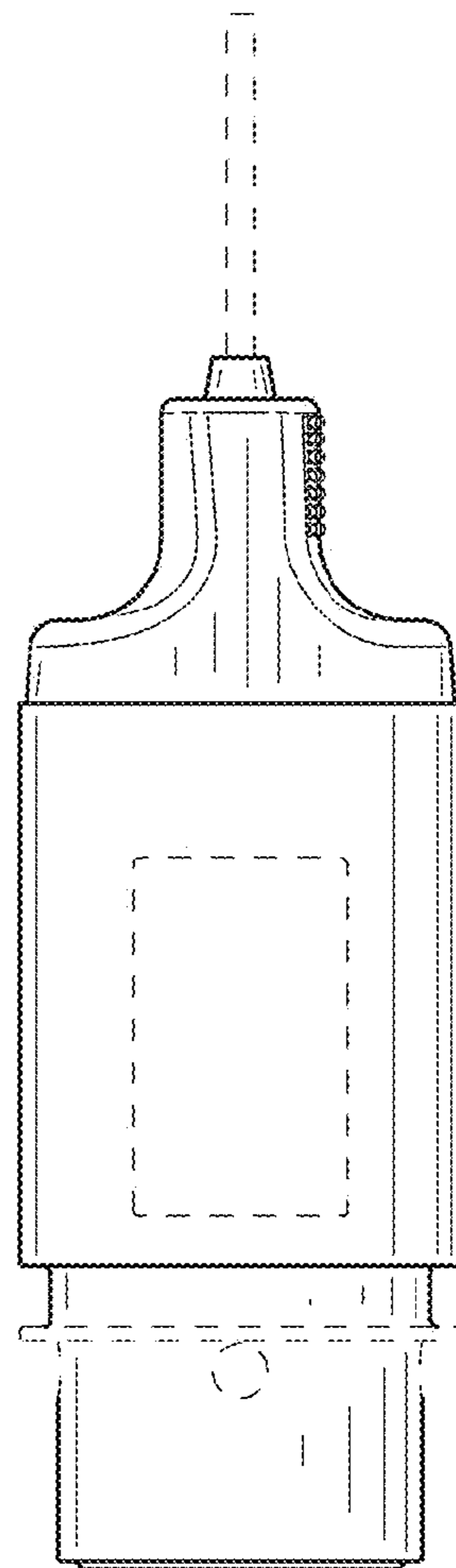


FIG.5

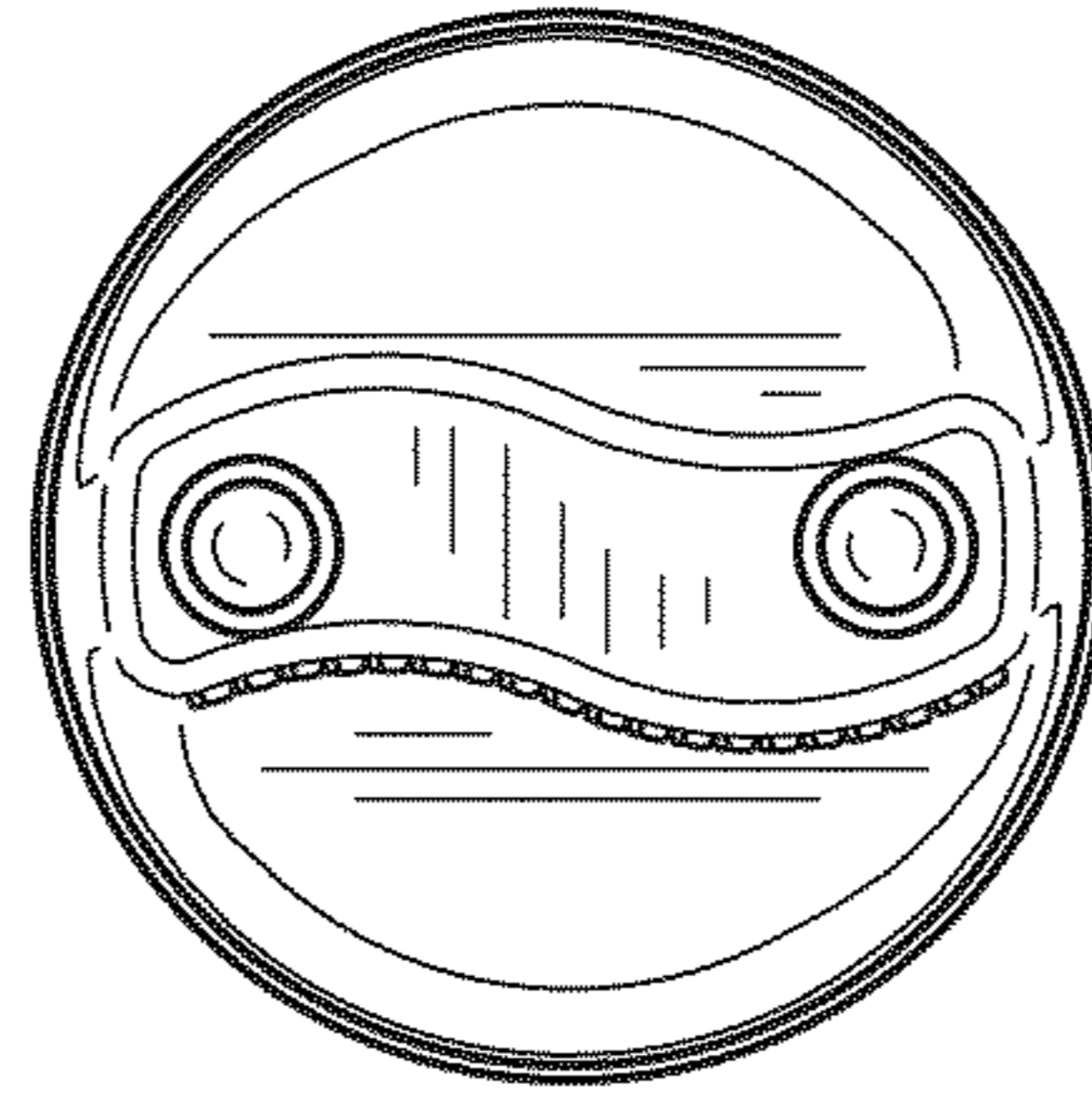


FIG. 6

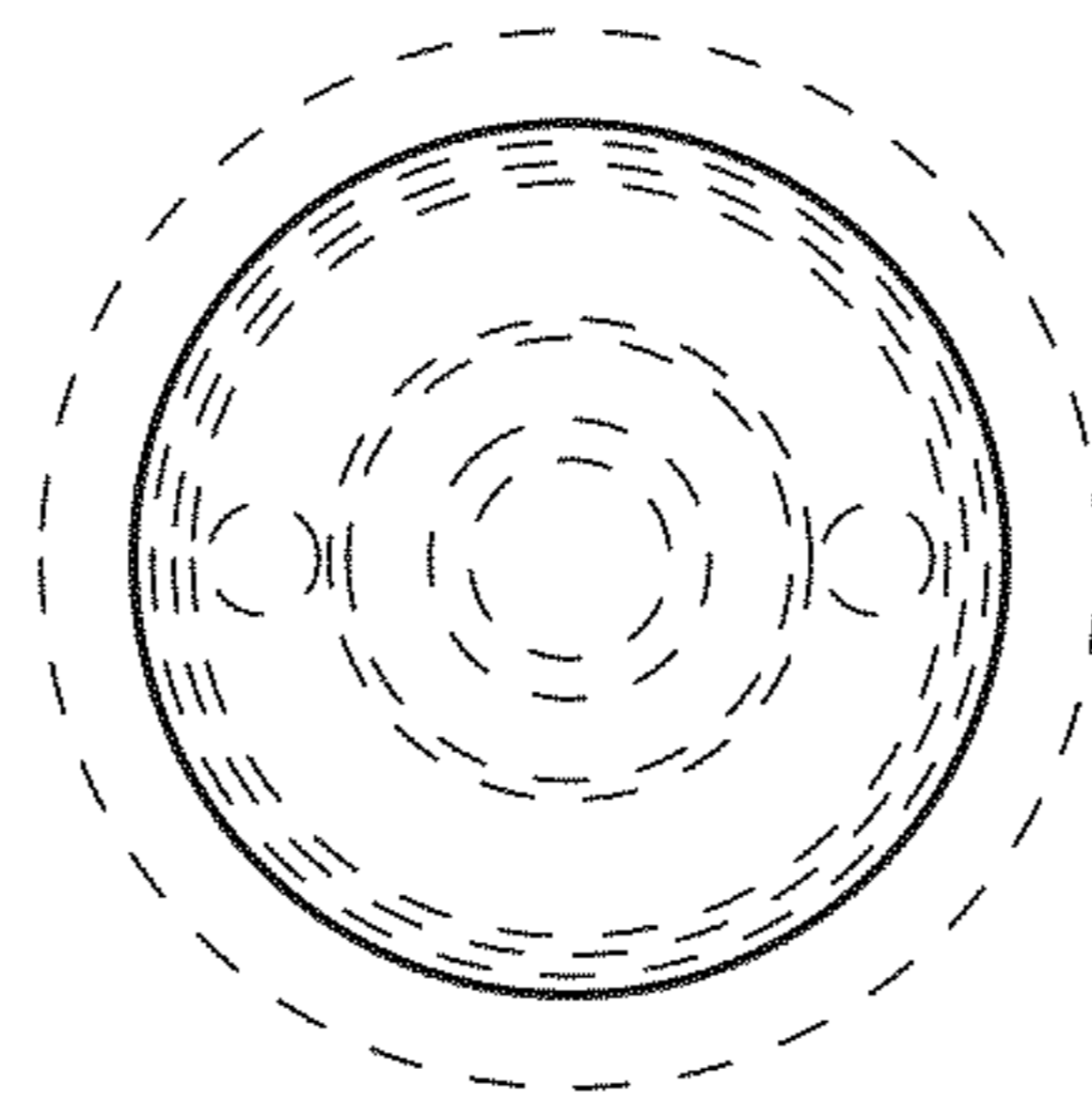


FIG. 7

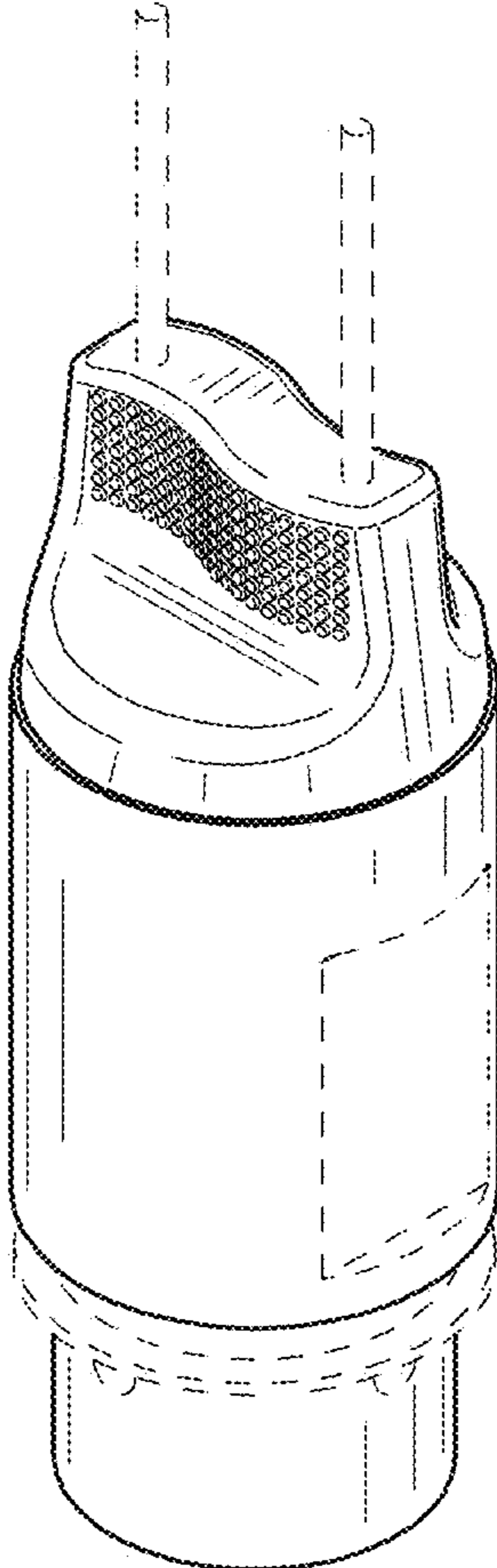


FIG.8

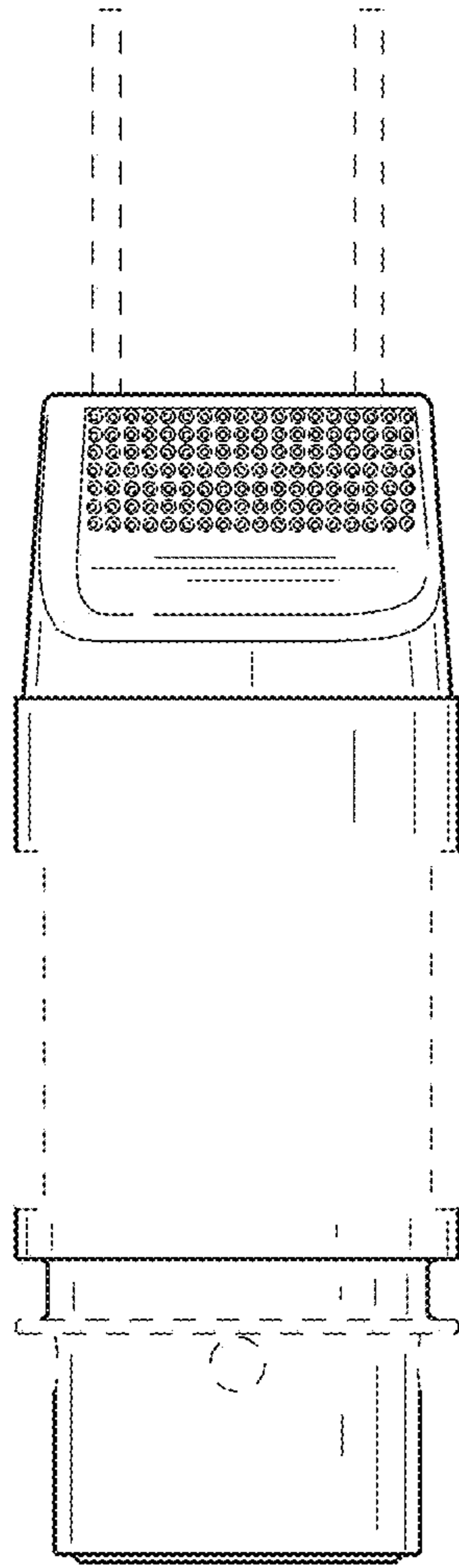


FIG. 9

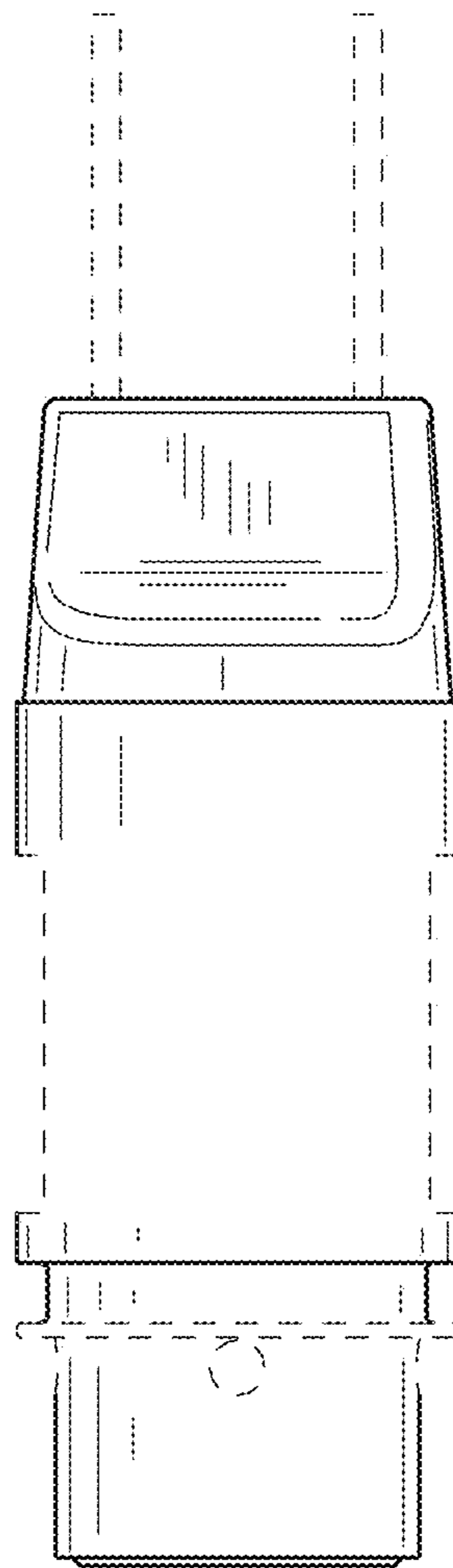


FIG. 10

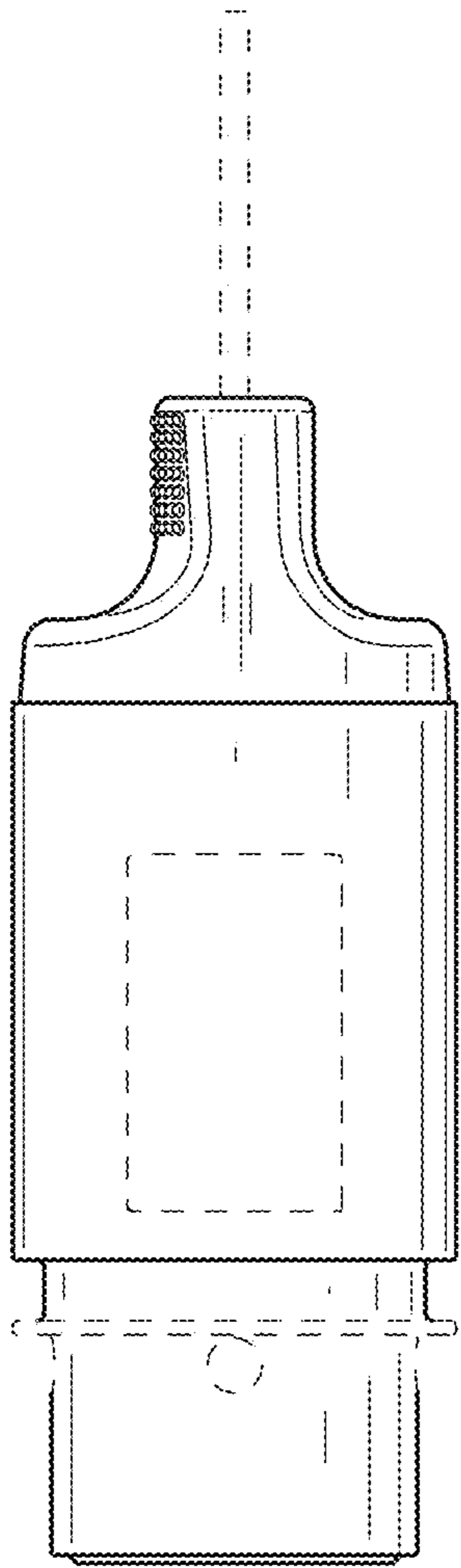


FIG. 11

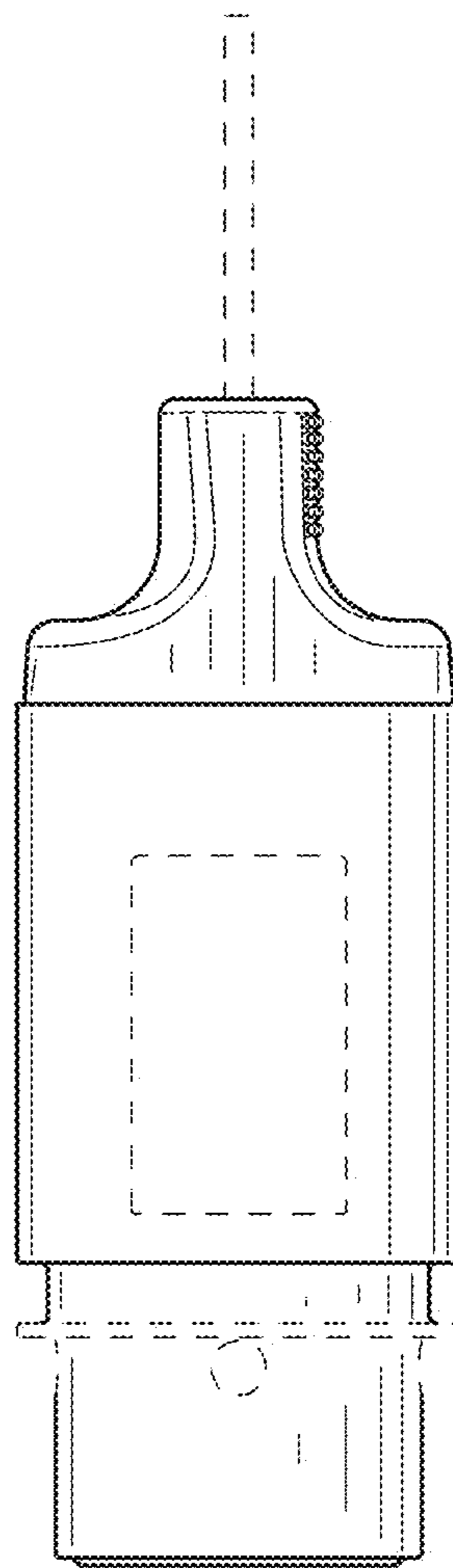


FIG. 12



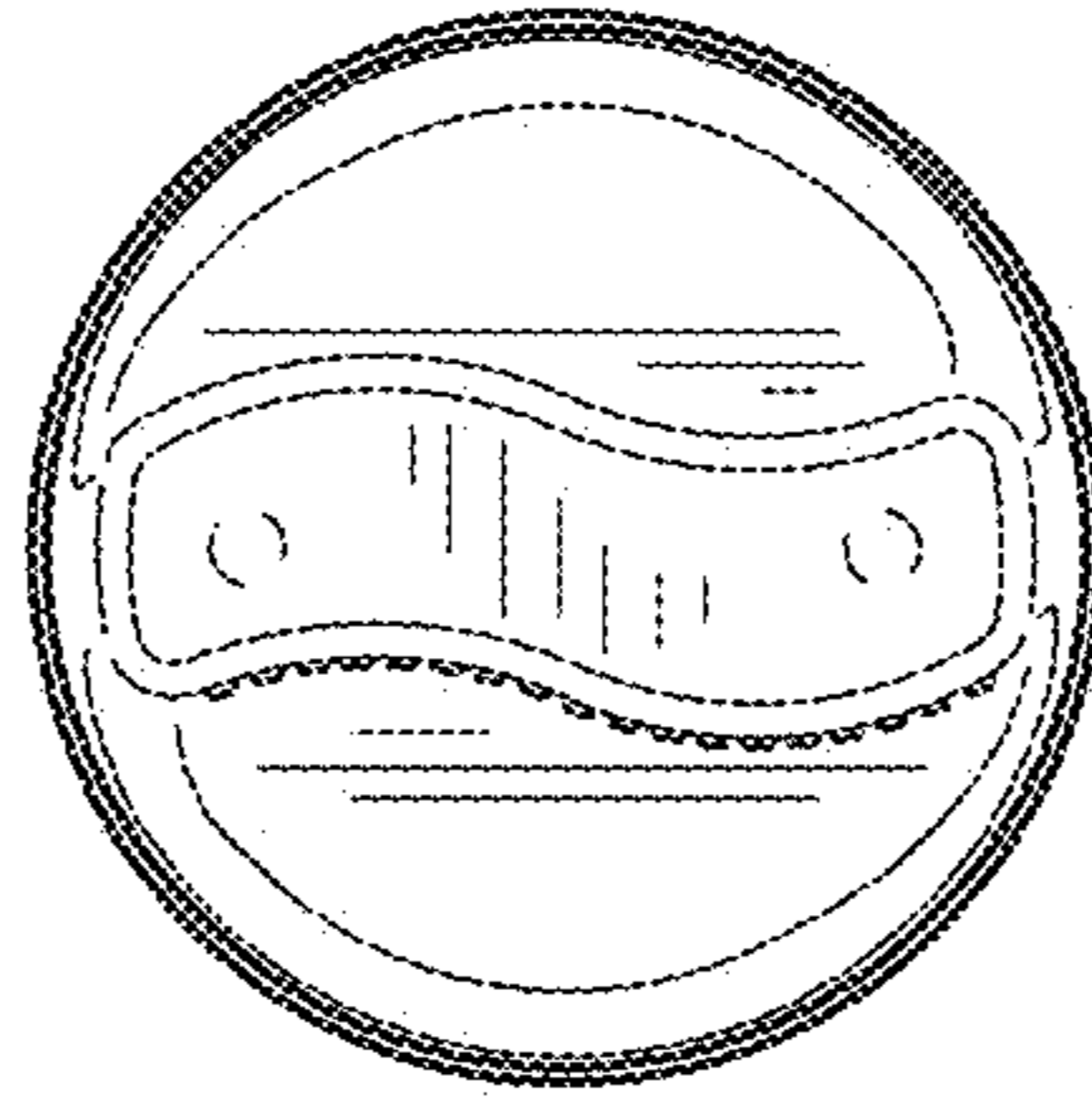


FIG. 13

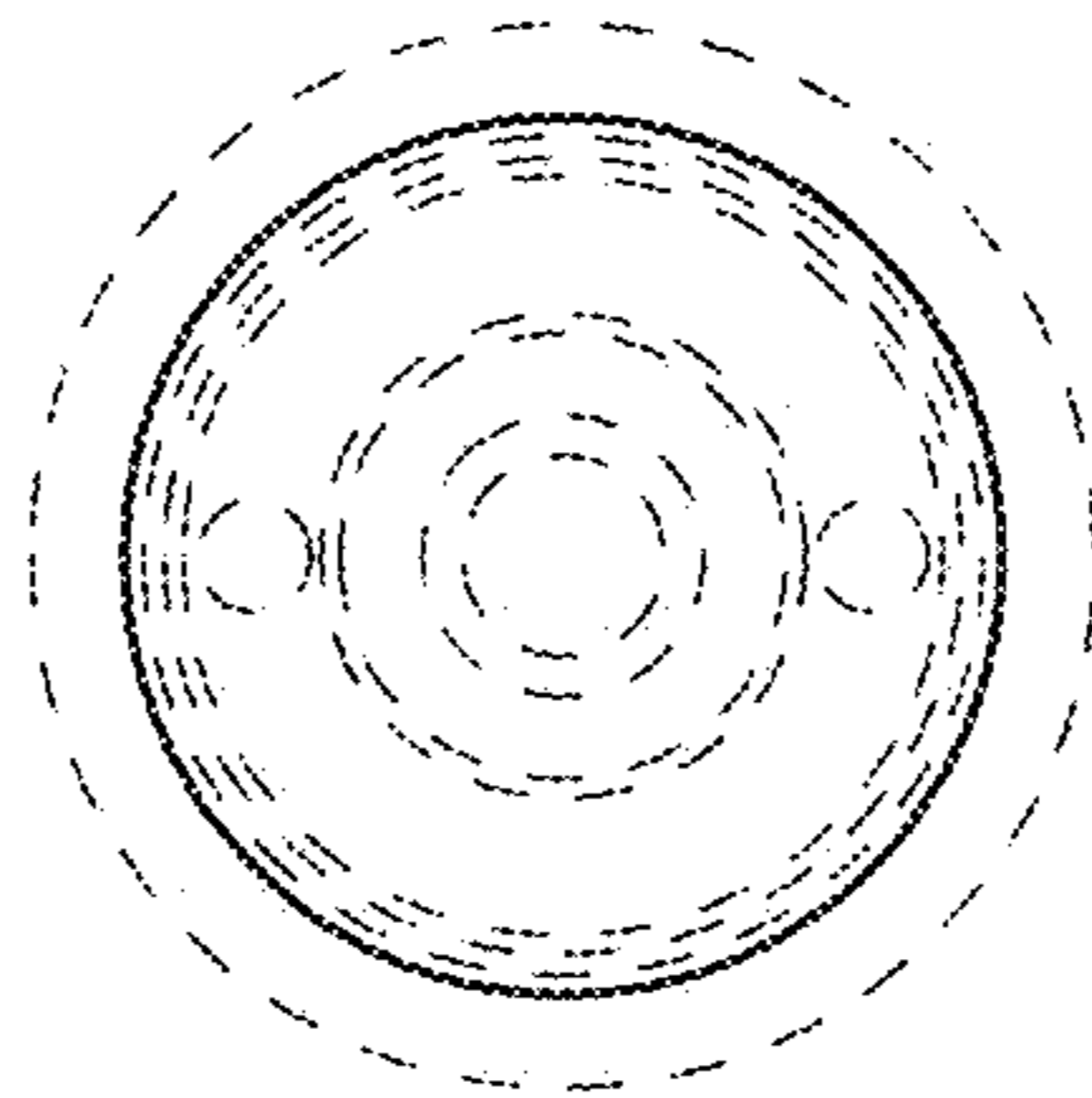


FIG. 14

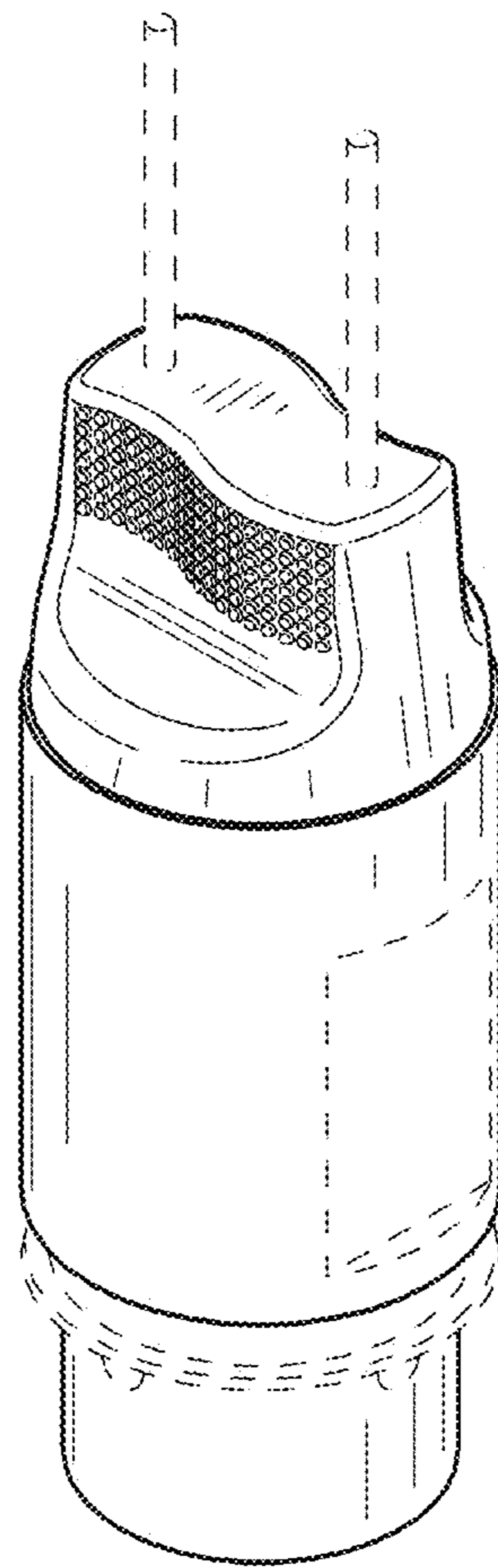


FIG.15

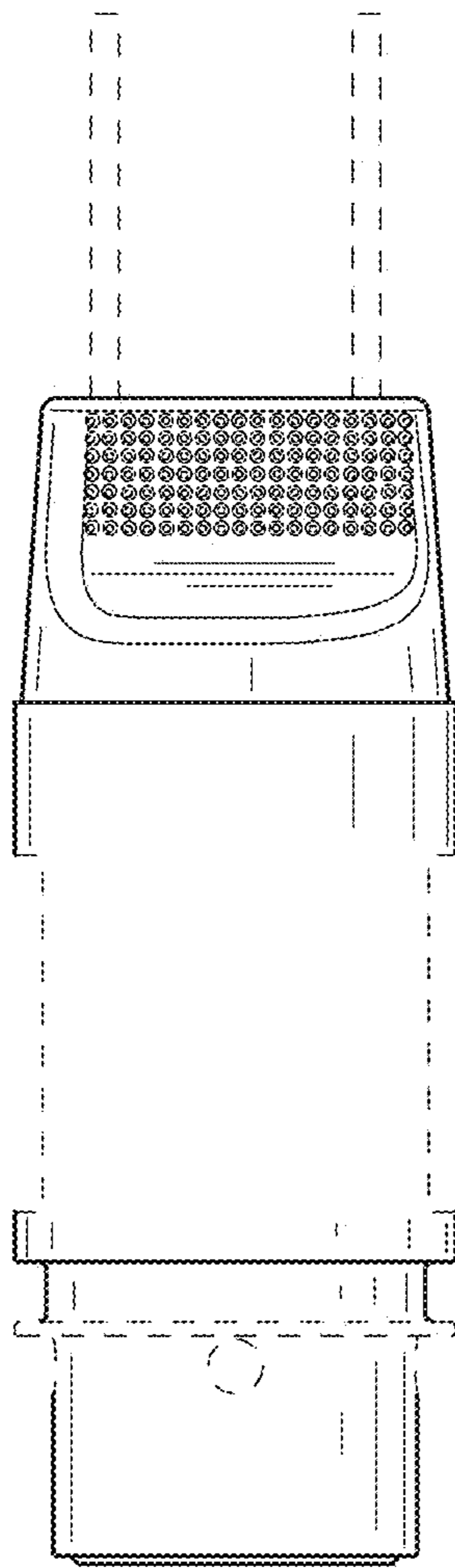


FIG.16

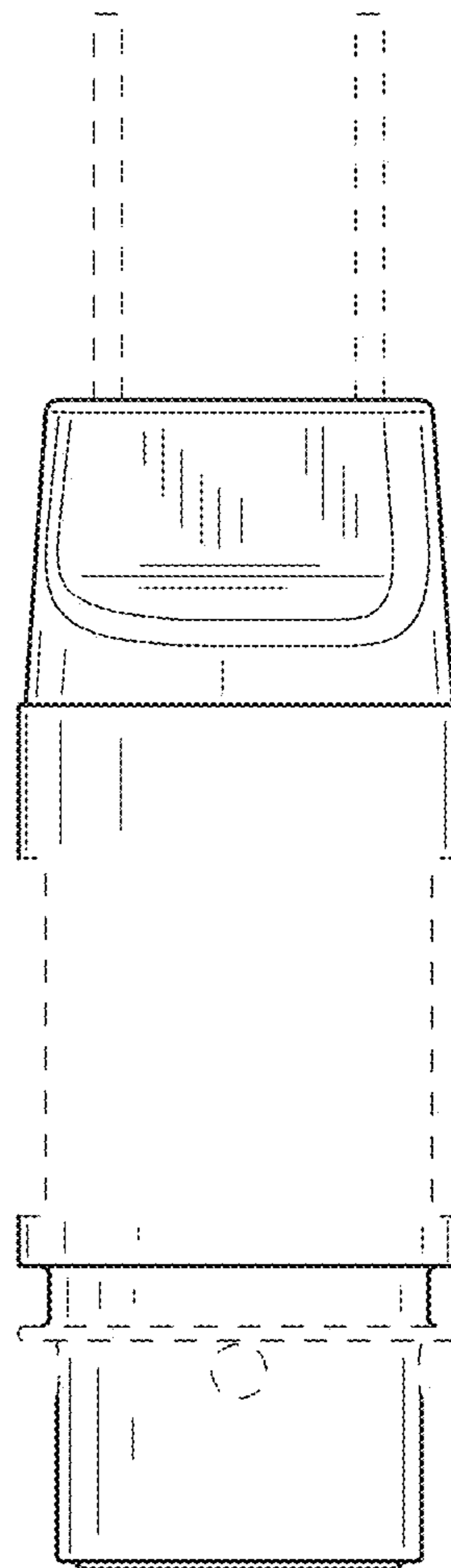


FIG.17

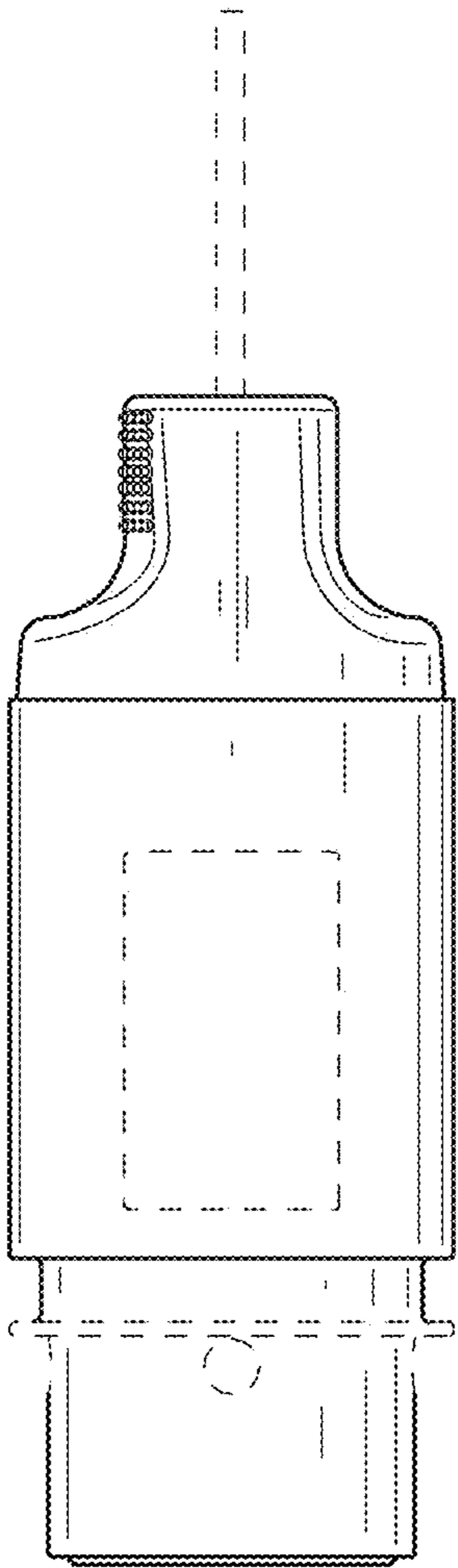


FIG. 18

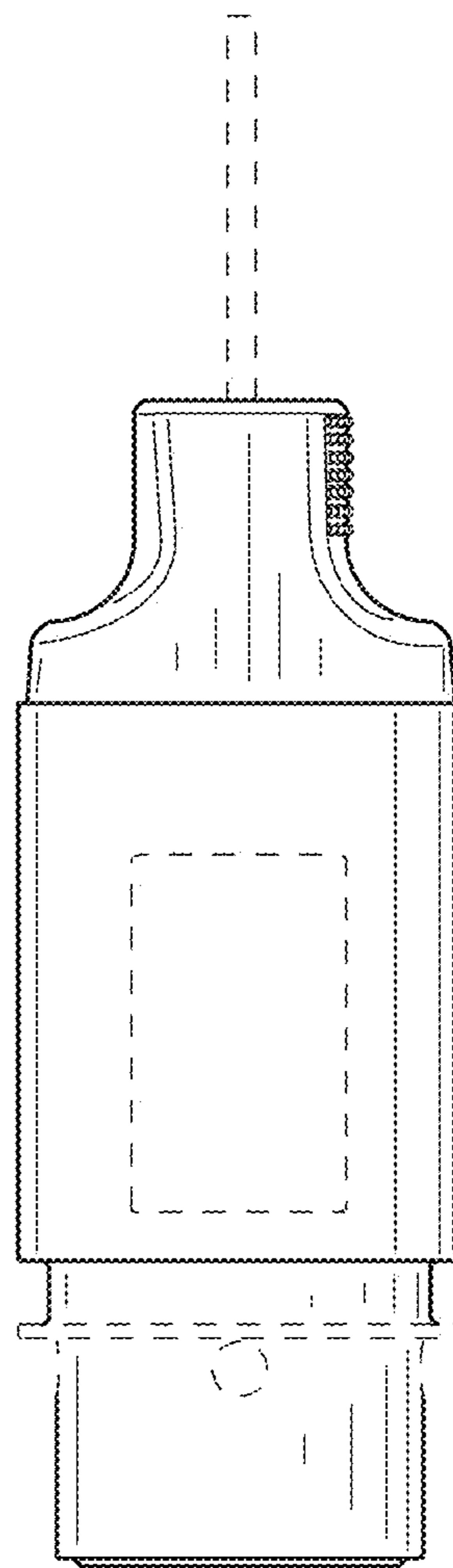


FIG. 19

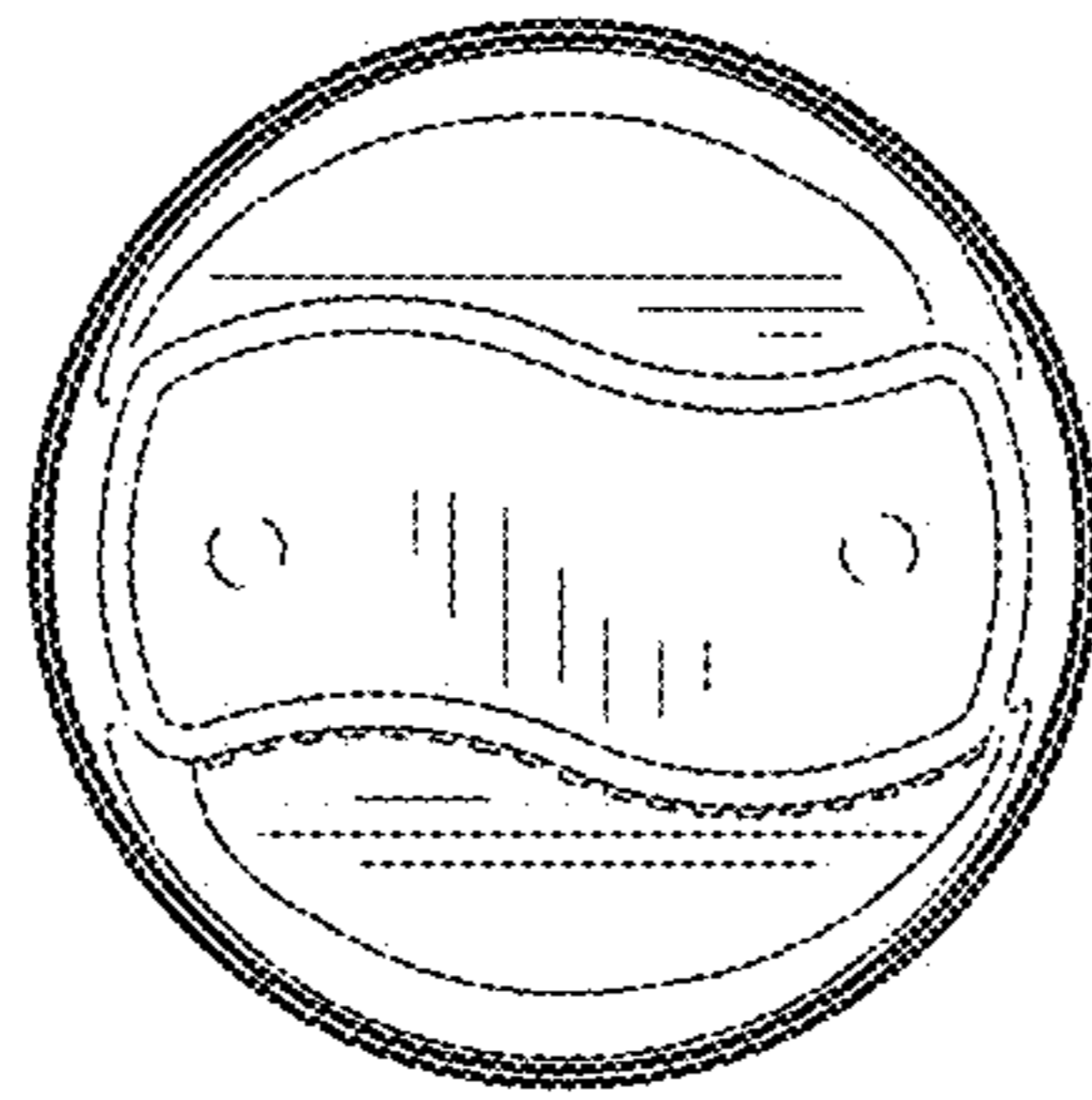


FIG.20

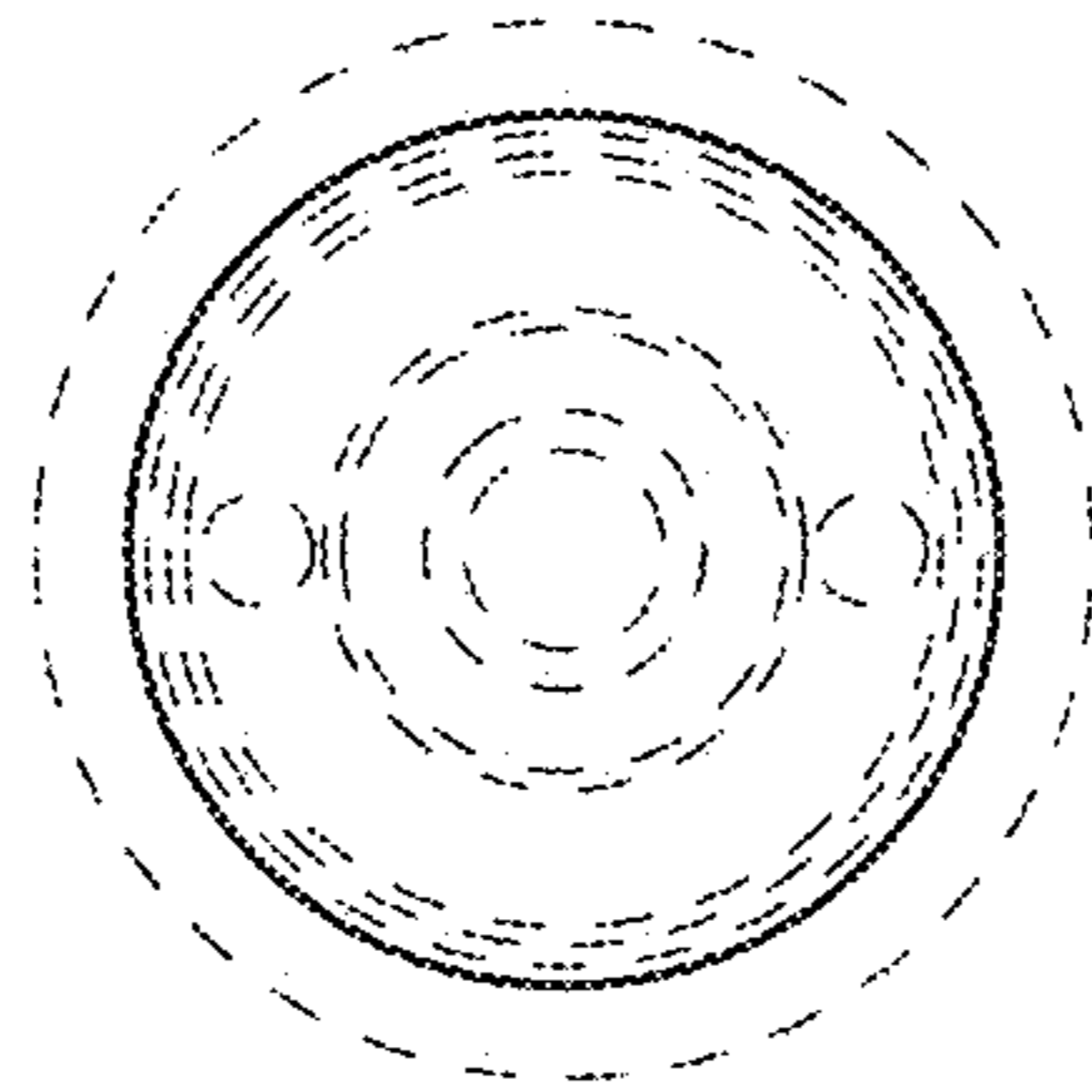


FIG.21