



US00D729345S

(12) **United States Design Patent**  
**Hermanson**

(10) **Patent No.:** **US D729,345 S**

(45) **Date of Patent:** **\*\* May 12, 2015**

(54) **LIQUID SPRAY NOZZLE**

(71) Applicant: **Spraying Systems Co.**, Wheaton, IL  
(US)

(72) Inventor: **Daniel Hermanson**, St. Charles, IL (US)

(73) Assignee: **Spraying Systems Co.**, Wheaton, IL  
(US)

(\*\*) Term: **14 Years**

(21) Appl. No.: **29/464,211**

(22) Filed: **Aug. 14, 2013**

(51) **LOC (10) Cl.** ..... **23-01**

(52) **U.S. Cl.**  
USPC ..... **D23/213**

(58) **Field of Classification Search**  
USPC ..... D23/213; D9/446; 239/589, 601, 602  
See application file for complete search history.

(56) **References Cited**

**U.S. PATENT DOCUMENTS**

D338,404 S *	8/1993	Engelmohr et al.	.....	D9/446
5,271,566 A *	12/1993	Dederich	.....	239/600
D350,268 S *	9/1994	Grimm	.....	D8/70
D350,589 S *	9/1994	Hudson	.....	D23/213

D361,266 S *	8/1995	Zuber	.....	D9/440
6,230,982 B1 *	5/2001	Newton	.....	239/10
D478,005 S *	8/2003	Sali	.....	D9/446
6,866,211 B2 *	3/2005	Paulsen et al.	.....	239/597
7,207,498 B1 *	4/2007	Fugere	.....	239/1
D584,618 S *	1/2009	Schwartz	.....	D9/449

\* cited by examiner

*Primary Examiner* — Robin V Webster

(74) *Attorney, Agent, or Firm* — Leydig, Voit & Mayer, Ltd.

(57) **CLAIM**

The ornamental design for a liquid spray nozzle, as shown and described.

**DESCRIPTION**

FIG. 1 is a front left side perspective of a liquid spray nozzle embodying the design of the present invention; FIG. 2 is a bottom right side perspective thereof; FIG. 3 is a front elevational view thereof; FIG. 4 is a left side elevational view thereof; FIG. 5 is a right side elevational view thereof; FIG. 6 is a top plan view thereof; FIG. 7 is a bottom plan view thereof; and, FIG. 8 is a front elevational view thereof when mounted on a liquid supply pipe shown in dotted lines, which forms no part of the claimed design.

**1 Claim, 3 Drawing Sheets**

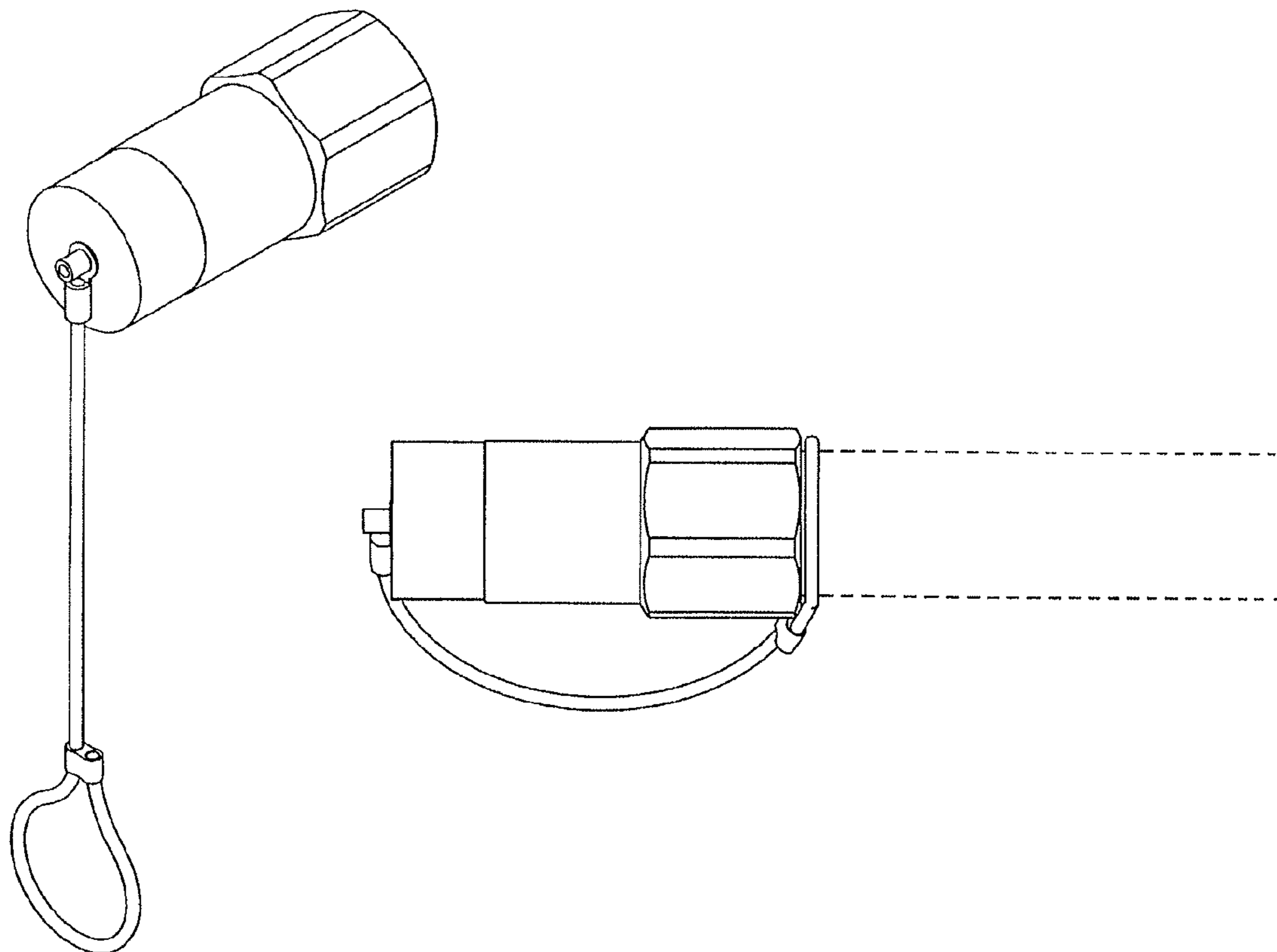


FIG. 1

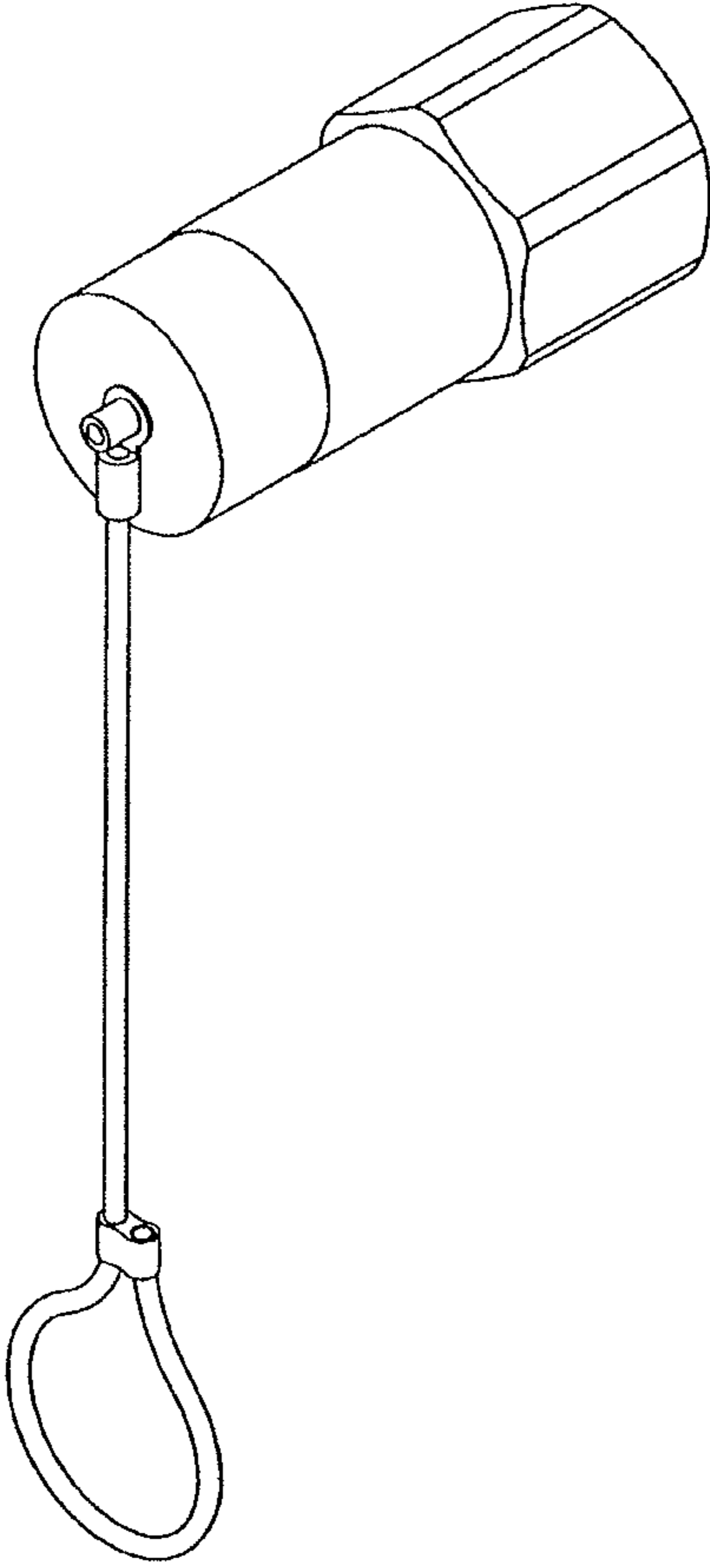


FIG. 2

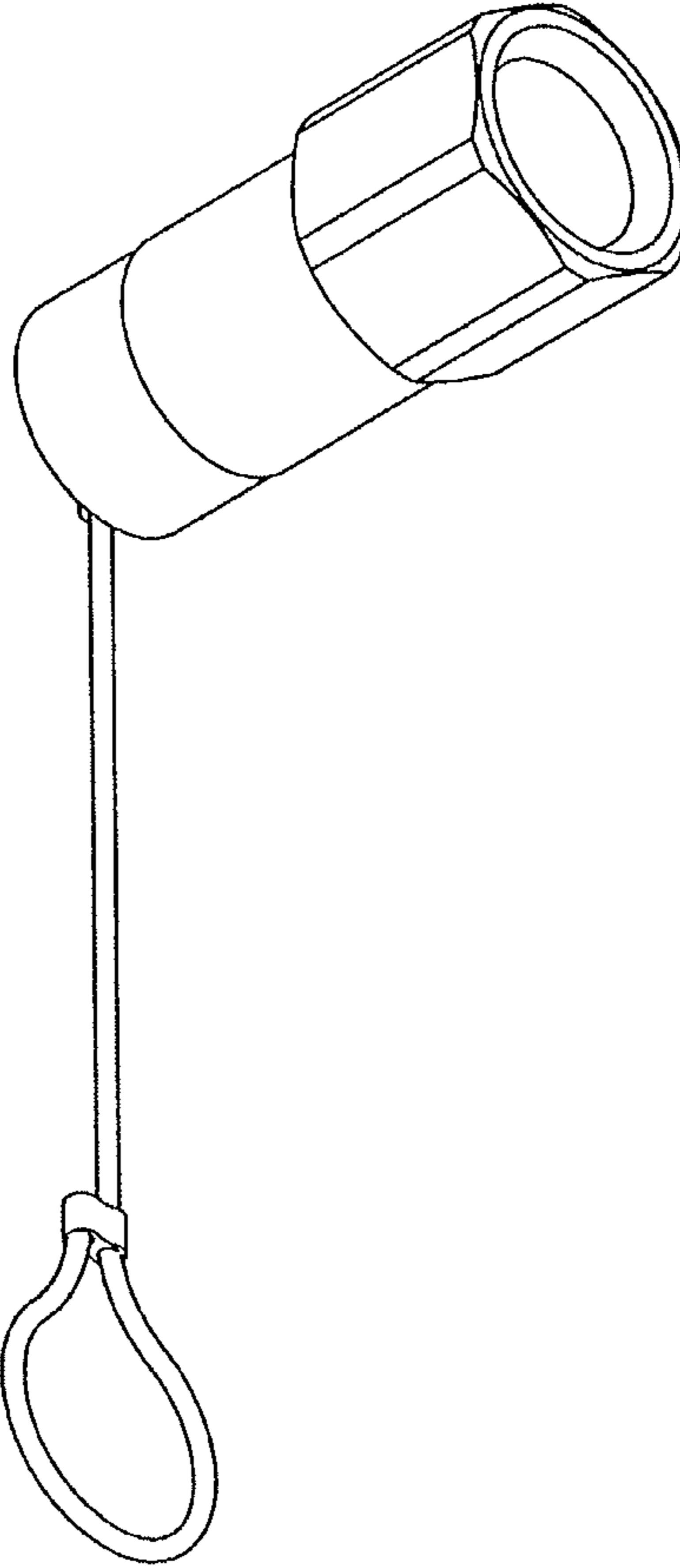


FIG. 6

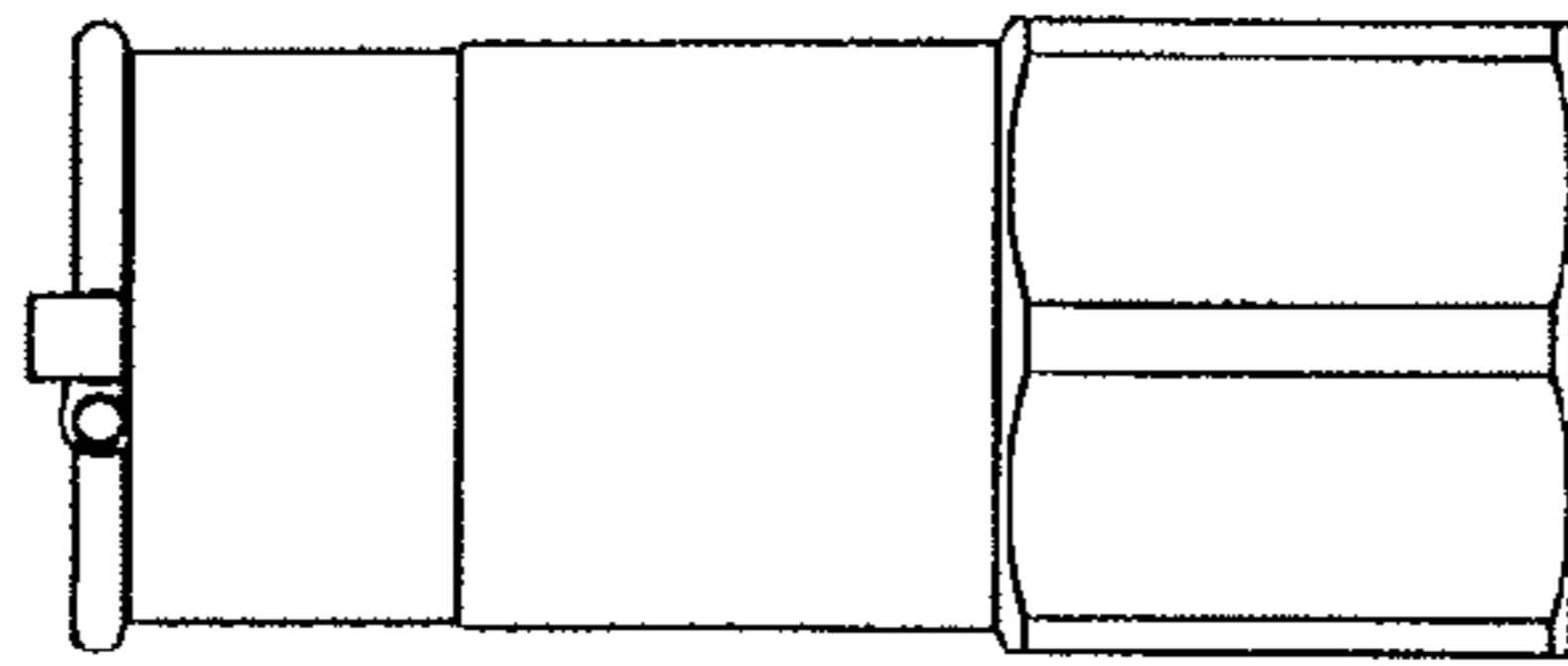


FIG. 4

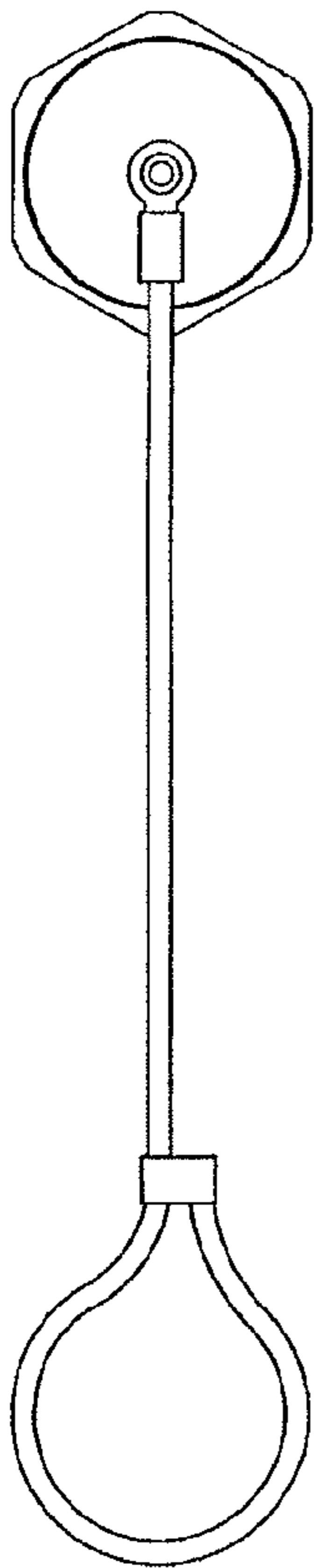


FIG. 3

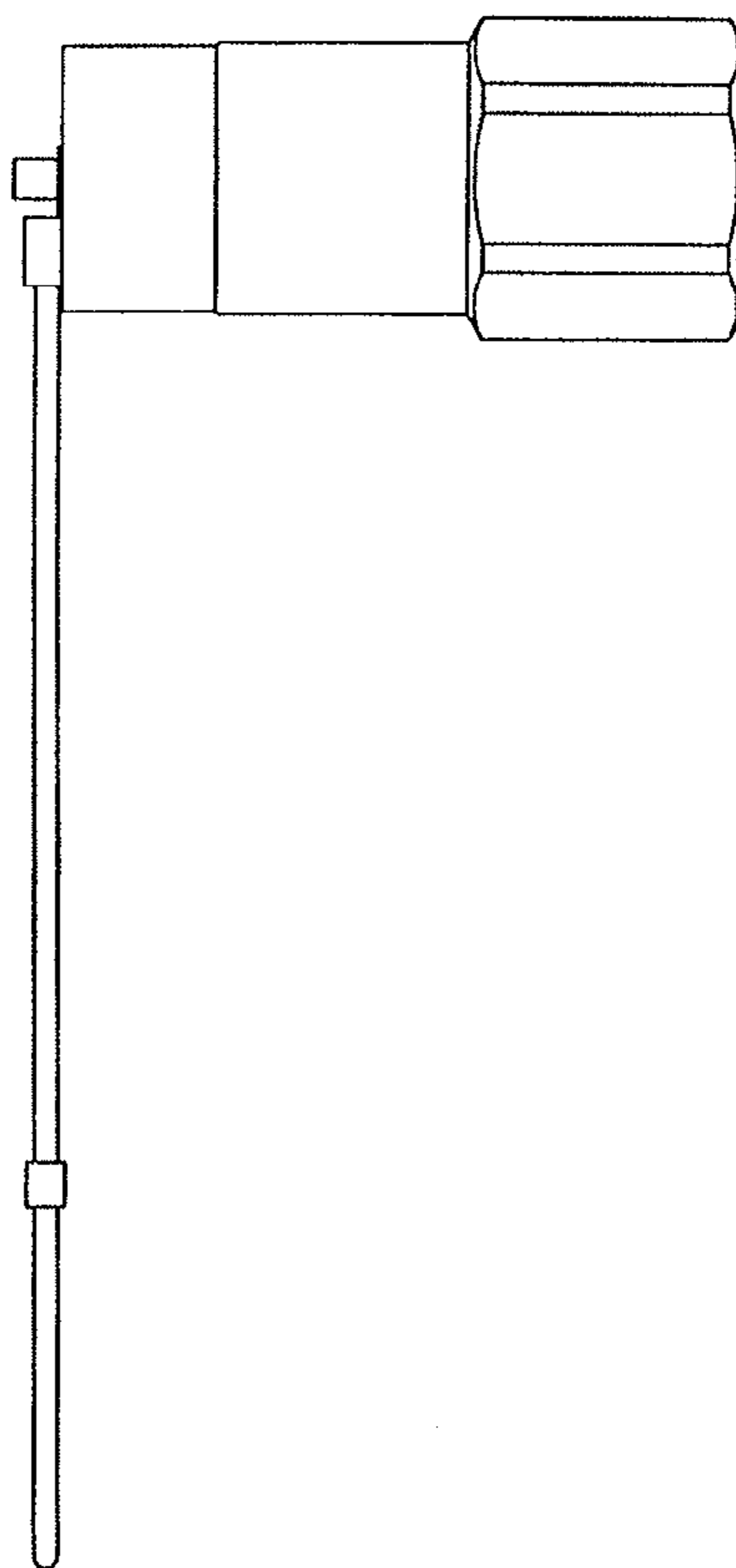


FIG. 5

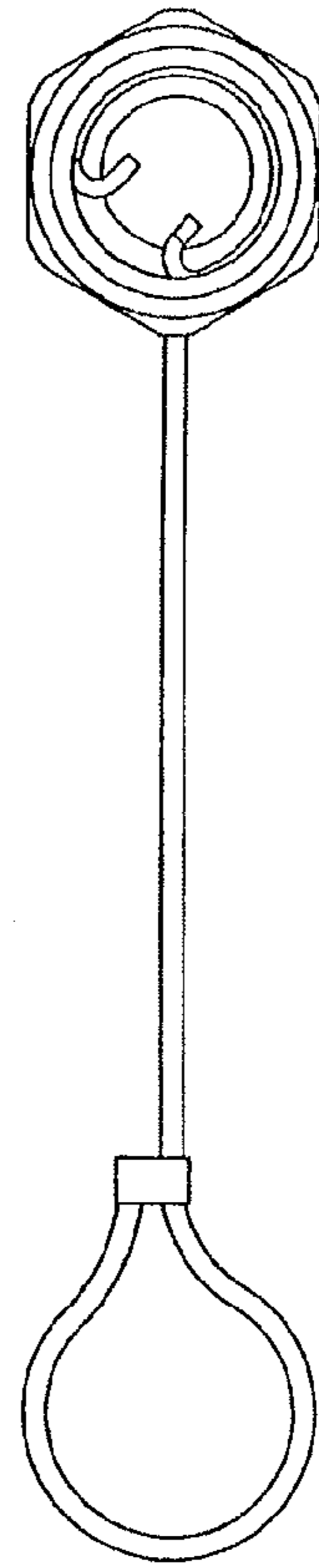


FIG. 7

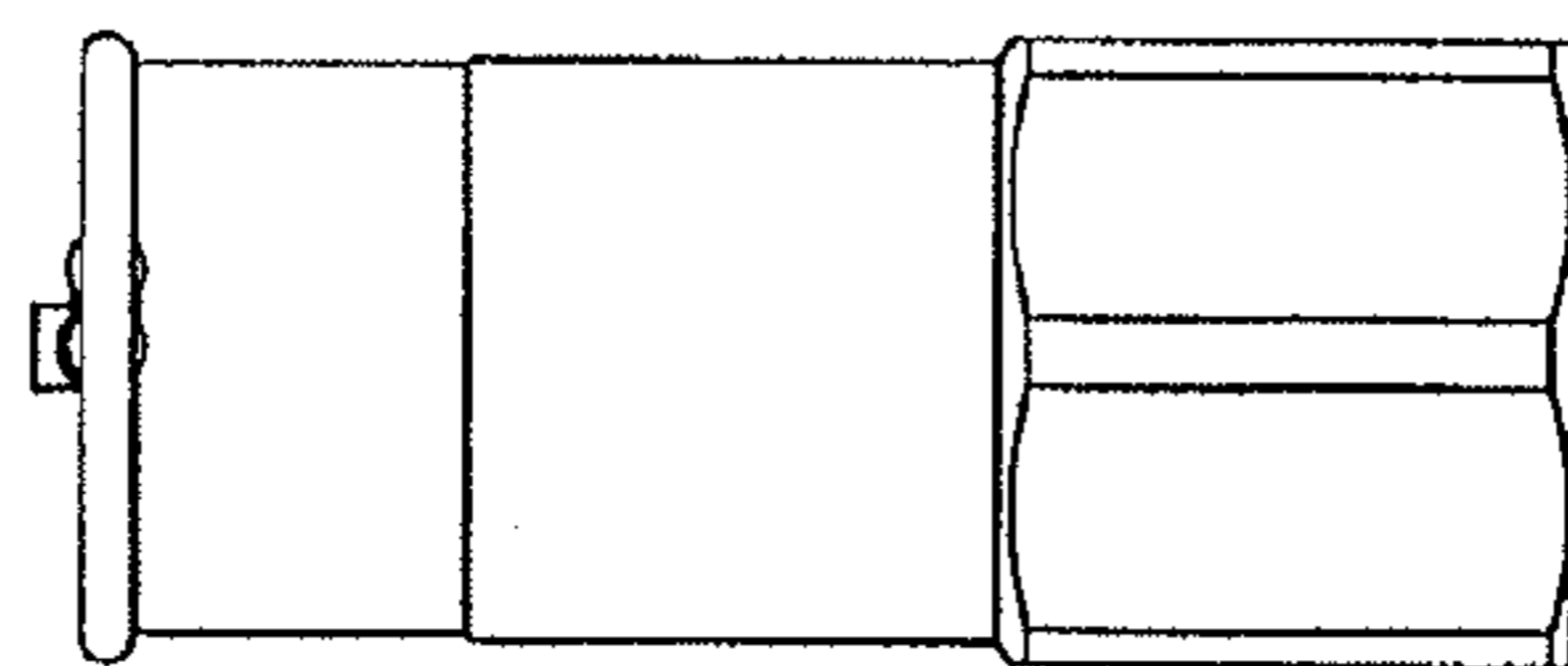


FIG. 8

