



US00D729344S

(12) **United States Design Patent**
Colussi

(10) **Patent No.:** **US D729,344 S**
(45) **Date of Patent:** **** May 12, 2015**

- (54) **WATER FILTER HOUSING SIEVE**
- (71) Applicant: **Brita LP**, Oakland, CA (US)
- (72) Inventor: **Tomas Colussi**, Pleasanton, CA (US)
- (73) Assignee: **Brita LP**, Oakland, CA (US)
- (**) Term: **14 Years**
- (21) Appl. No.: **29/483,168**
- (22) Filed: **Feb. 26, 2014**
- (51) **LOC (10) Cl.** **23-01**
- (52) **U.S. Cl.**
USPC **D23/209**
- (58) **Field of Classification Search**
CPC B01D 2201/291
USPC D23/207, 209; 210/232, 282, 464, 444,
210/266, 493.2
See application file for complete search history.

6,099,728	A *	8/2000	Bairischer	210/266
6,238,552	B1	5/2001	Shannon		
6,290,847	B1	9/2001	Cutler		
6,387,260	B1	5/2002	Pimenov et al.		
6,405,875	B1	6/2002	Cutler		
6,454,941	B1	9/2002	Cutler et al.		
6,458,303	B1	10/2002	Fuehrer et al.		
6,524,477	B1	2/2003	Hughes		
6,632,355	B2 *	10/2003	Fritze	210/232
6,649,056	B2	11/2003	Fritze		
6,841,067	B1	1/2005	Hoffman et al.		
D529,127	S	9/2006	Cueman		
D548,307	S	8/2007	Reynolds et al.		
D562,430	S	2/2008	Slawomir		
D565,149	S	3/2008	Slawomir		
D566,808	S	4/2008	Slawomir		

(Continued)

FOREIGN PATENT DOCUMENTS

WO	WO9610676	4/1996
WO	WO9805401	2/1998

(Continued)

Primary Examiner — Robin V Webster

(74) *Attorney, Agent, or Firm* — Stacy H. Combs; Thomas C. Feix

(56) **References Cited**

U.S. PATENT DOCUMENTS

D128,670	S *	8/1941	Marks	D23/209
D263,078	S *	2/1982	Eddleman et al.	D24/162
4,895,648	A	1/1990	Hankammer		
D312,863	S	12/1990	Hankammer		
4,995,310	A	2/1991	Van der Lijn et al.		
5,002,665	A	3/1991	Brueggemann		
5,049,272	A	9/1991	Nieweg		
D320,640	S	10/1991	Goodwin		
5,076,922	A	12/1991	DeAre		
5,453,195	A *	9/1995	Jorgenson et al.	210/444
D370,711	S	6/1996	Serenko et al.		
D372,069	S	7/1996	Brancazio et al.		
D374,911	S	10/1996	Kahana		
D388,154	S	12/1997	Pesa		
5,811,004	A	9/1998	Robertson et al.		
5,980,743	A	11/1999	Bairischer		
6,012,232	A	1/2000	Weyrauch		
6,042,725	A	3/2000	Serenko et al.		

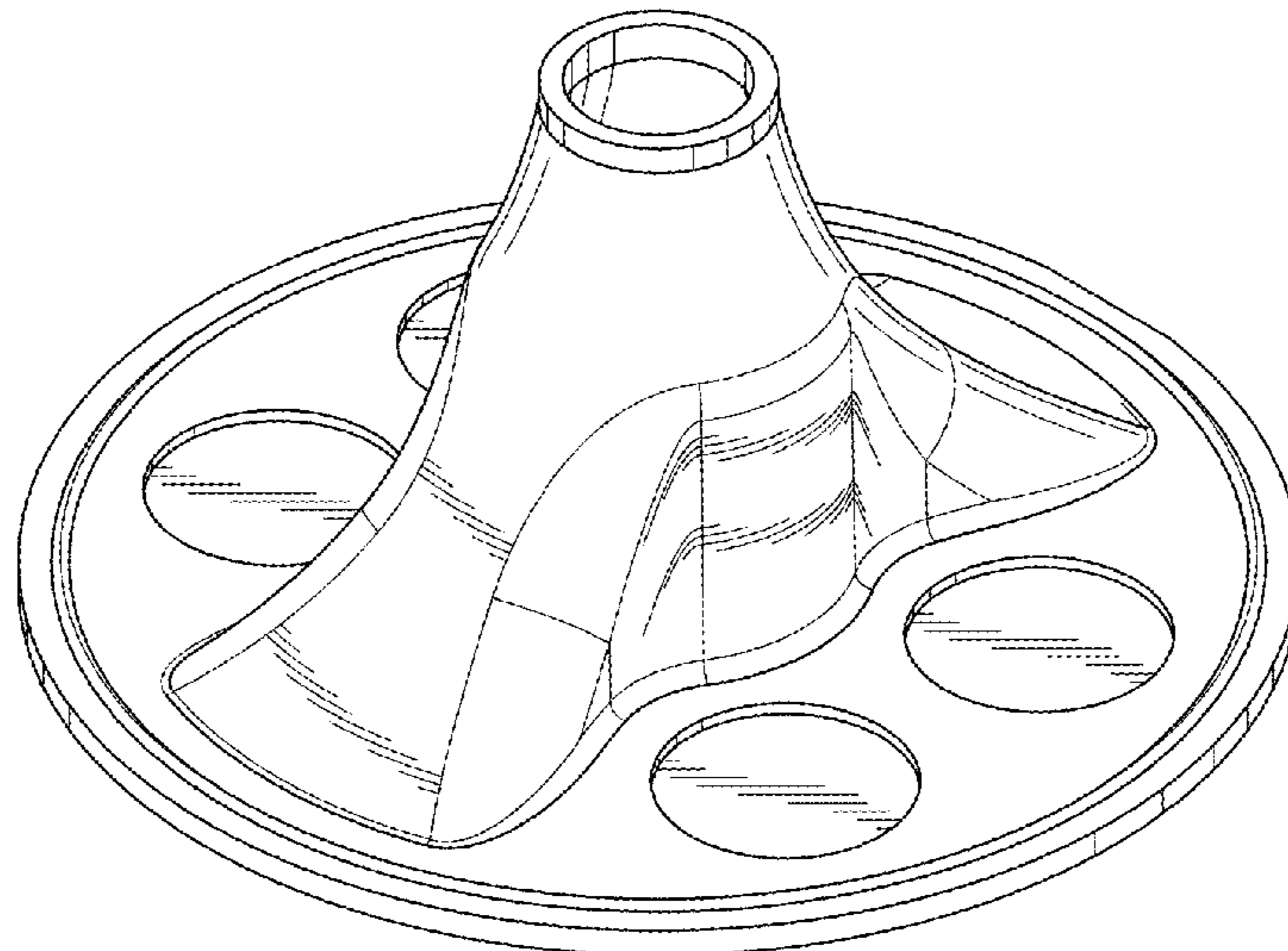
(57) **CLAIM**

The ornamental design for a water filter housing sieve, as shown.

DESCRIPTION

FIG. 1 is a perspective view of a water filter housing sieve of the present invention;
 FIG. 2 is a left side view thereof, the right side being a mirror image thereof;
 FIG. 3 is a front view, the rear view being a mirror image thereof;
 FIG. 4 is a top view thereof; and,
 FIG. 5 is a bottom view thereof.

1 Claim, 2 Drawing Sheets



(56)

References Cited

U.S. PATENT DOCUMENTS

7,387,729 B2 6/2008 Vandenbelt et al.
 D579,515 S 10/2008 Bell et al.
 D580,009 S * 11/2008 LeJeune D23/209
 D590,475 S 4/2009 Bell et al.
 7,695,615 B2 4/2010 Vinogradova et al.
 7,837,375 B2 11/2010 Watanabe et al.
 7,871,528 B2 * 1/2011 Aregger et al. 210/807
 D663,379 S * 7/2012 Muller D23/209
 D684,009 S 6/2013 Bell et al.
 8,474,631 B2 * 7/2013 Kocksch 210/450
 2004/0149642 A1 8/2004 Vandenbelt et al.

2006/0000763 A1 1/2006 Rinker et al.
 2008/0105629 A1 5/2008 Yang et al.
 2010/0072135 A1 3/2010 Hanemaaijer et al.
 2010/0176057 A1 7/2010 Karnik et al.
 2011/0005991 A1 1/2011 Merz et al.
 2011/0089103 A1 4/2011 Bommi
 2012/0061312 A1 3/2012 Busick et al.

FOREIGN PATENT DOCUMENTS

WO WO9832705 7/1998
 WO WO2008058243 5/2008
 WO WO2010081077 7/2010

* cited by examiner

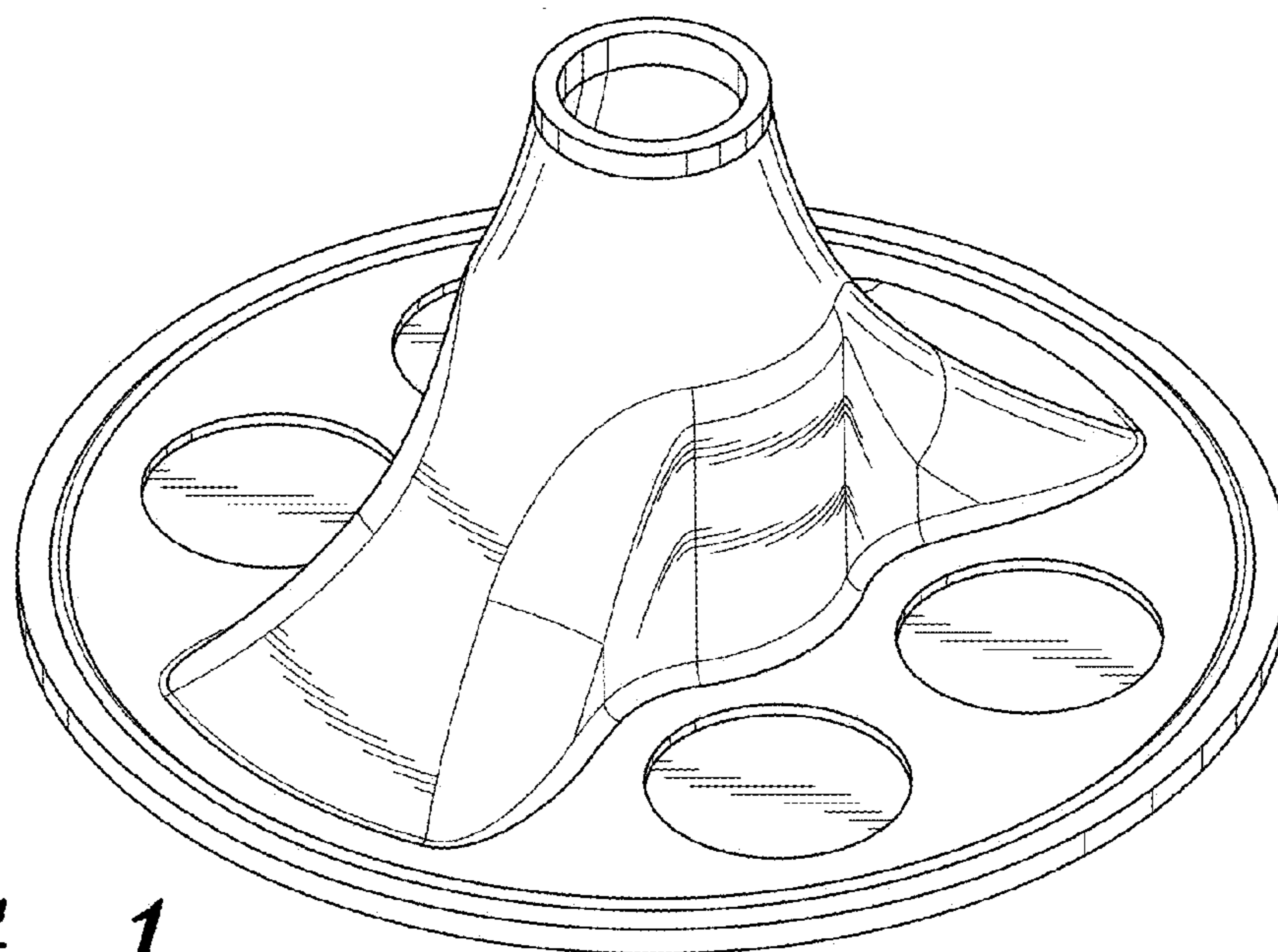


FIG. 1

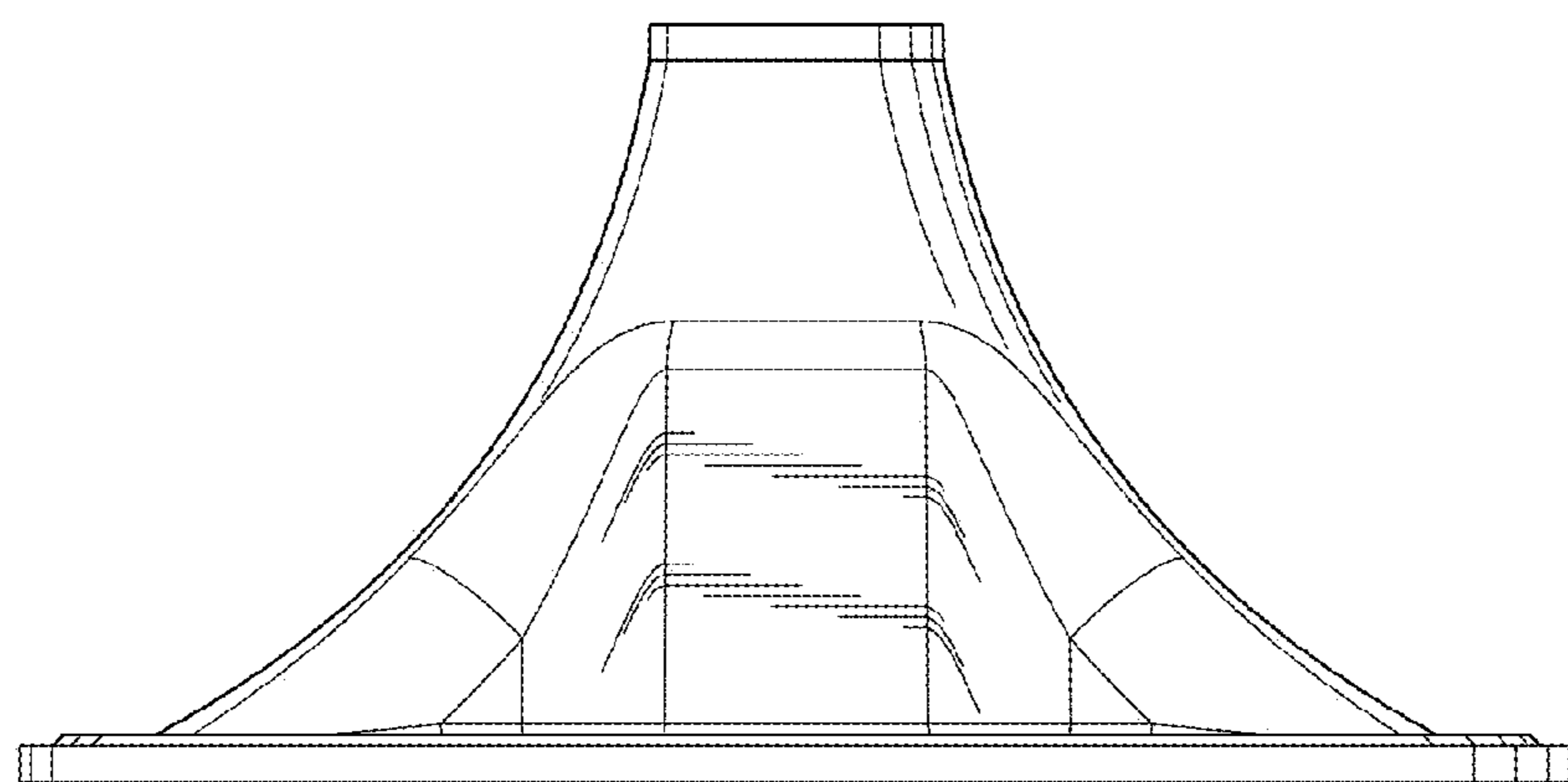


FIG. 2

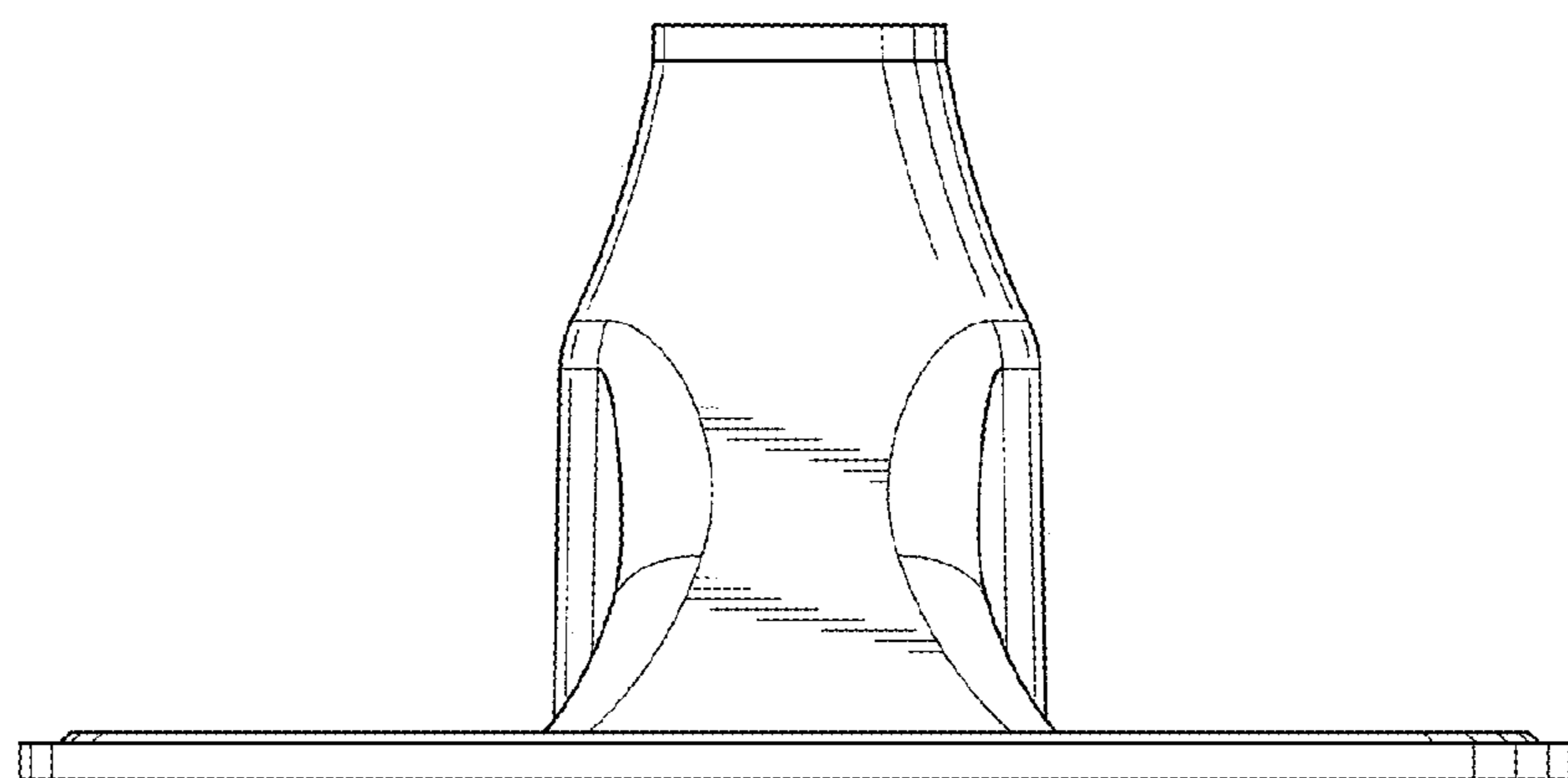


FIG. 3

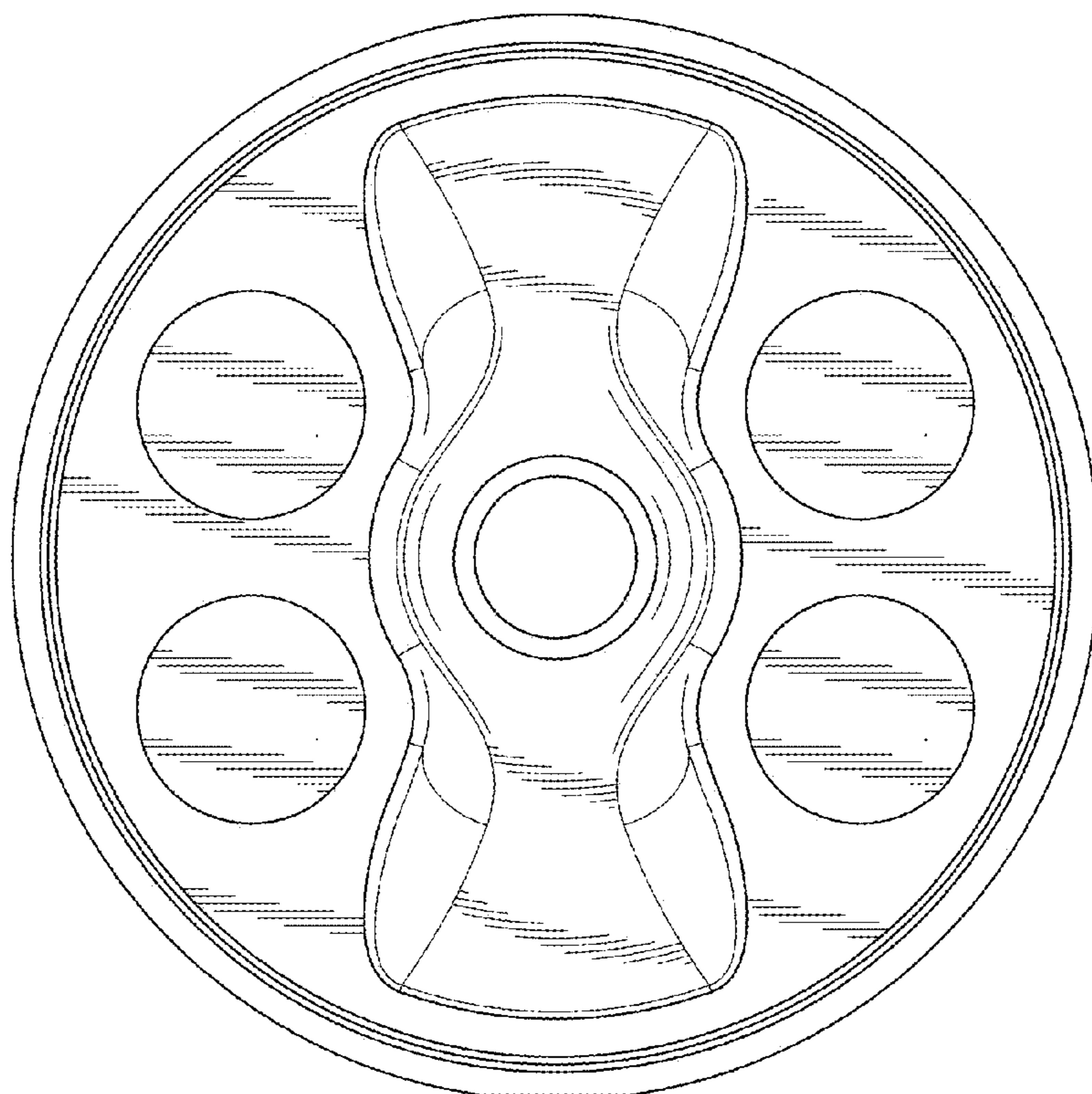


FIG. 4

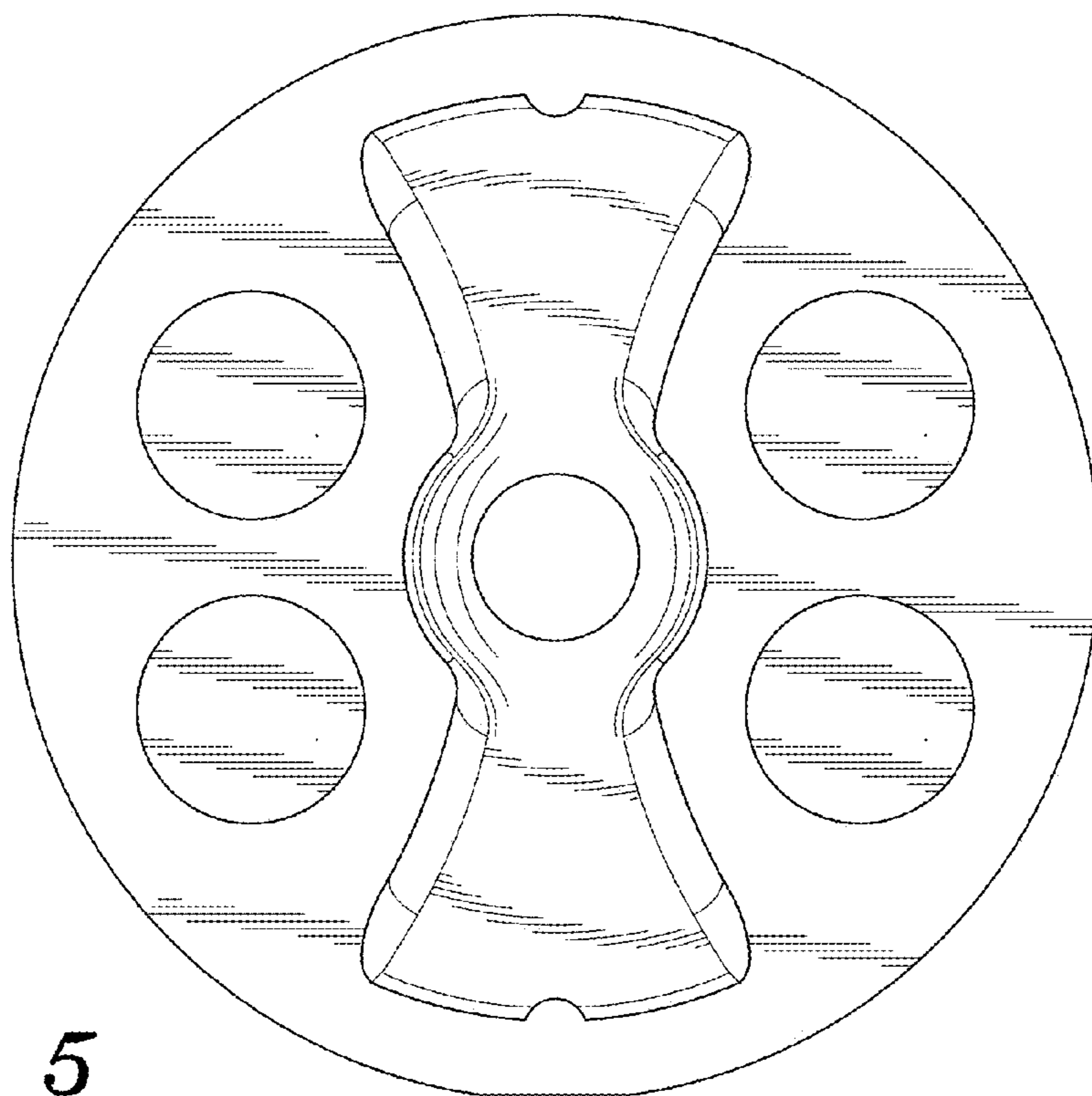


FIG. 5