



US00D729343S

(12) **United States Design Patent**  
**Melzer et al.**

(10) **Patent No.:** **US D729,343 S**  
(45) **Date of Patent:** **\*\* May 12, 2015**

(54) **FILTER CORE FOR BEVERAGE MAKER**

(74) *Attorney, Agent, or Firm* — Akerman LLP

(71) Applicant: **Epoca International, Inc.**, Boca Raton, FL (US)

(57) **CLAIM**

We claim the ornamental design for a filter core for beverage maker, as shown and described.

(72) Inventors: **Brian Melzer**, Boca Raton, FL (US);  
**Matthew Chin**, New York, NY (US);  
**Gareth Brown**, Jersey City, NJ (US)

**DESCRIPTION**

(73) Assignee: **Epoca International, Inc.**, Boca Raton, FL (US)

FIG. 1 is a perspective view of a first embodiment of the filter core for beverage maker, showing our new, original and ornamental design;

(\*\*) Term: **14 Years**

FIG. 2 is a front view thereof;

(21) Appl. No.: **29/482,031**

FIG. 3 is a side view thereof;

(22) Filed: **Feb. 13, 2014**

FIG. 4 is a back view thereof;

(51) **LOC (10) Cl.** ..... **23-01**

FIG. 5 is a second side view thereof;

(52) **U.S. Cl.**

FIG. 6 is a top view thereof;

USPC ..... **D23/209**

FIG. 7 is a bottom view thereof;

(58) **Field of Classification Search**

USPC ..... D23/207, 209; 210/232, 282, 237, 238  
See application file for complete search history.

FIG. 8 is an exploded view thereof;

FIG. 9 is perspective view of a second embodiment of the filter core for beverage maker;

(56) **References Cited**

**U.S. PATENT DOCUMENTS**

D448,448 S *	9/2001	Hughes et al.	.....	D23/209
D496,985 S *	10/2004	King	.....	D23/209
D685,449 S *	7/2013	Patera et al.	.....	D23/209
D685,450 S *	7/2013	Patera et al.	.....	D23/209
D685,451 S *	7/2013	Patera et al.	.....	D23/209
D685,875 S *	7/2013	Patera et al.	.....	D23/209

FIG. 10 is a front view thereof;

FIG. 11 is a side view thereof;

FIG. 12 is a back view thereof;

FIG. 13 is a second side view thereof;

FIG. 14 is a top view thereof;

FIG. 15 is a bottom view thereof; and,

FIG. 16 is an exploded view thereof.

The broken lines in the figures are for illustrative purposes only and form no part of the claimed design.

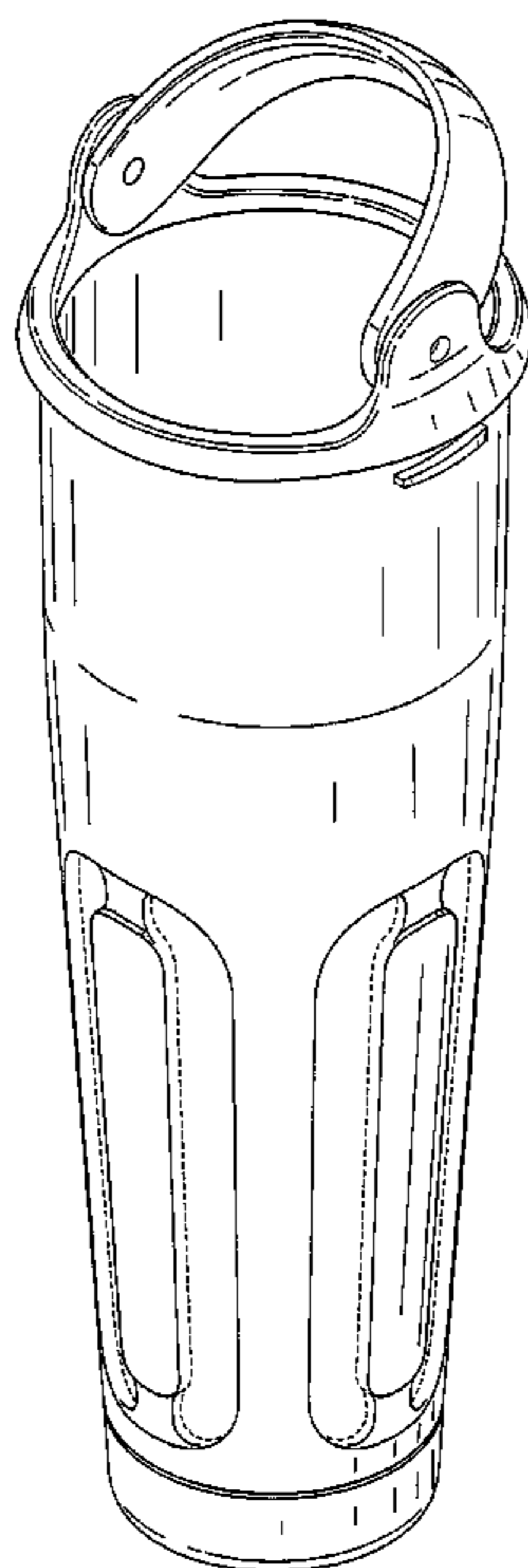
The figures illustrate two embodiments of the design. In the first embodiment shown in FIGS. 1-8, the filter core is wider overall than in the second embodiment shown in FIGS. 9-16.

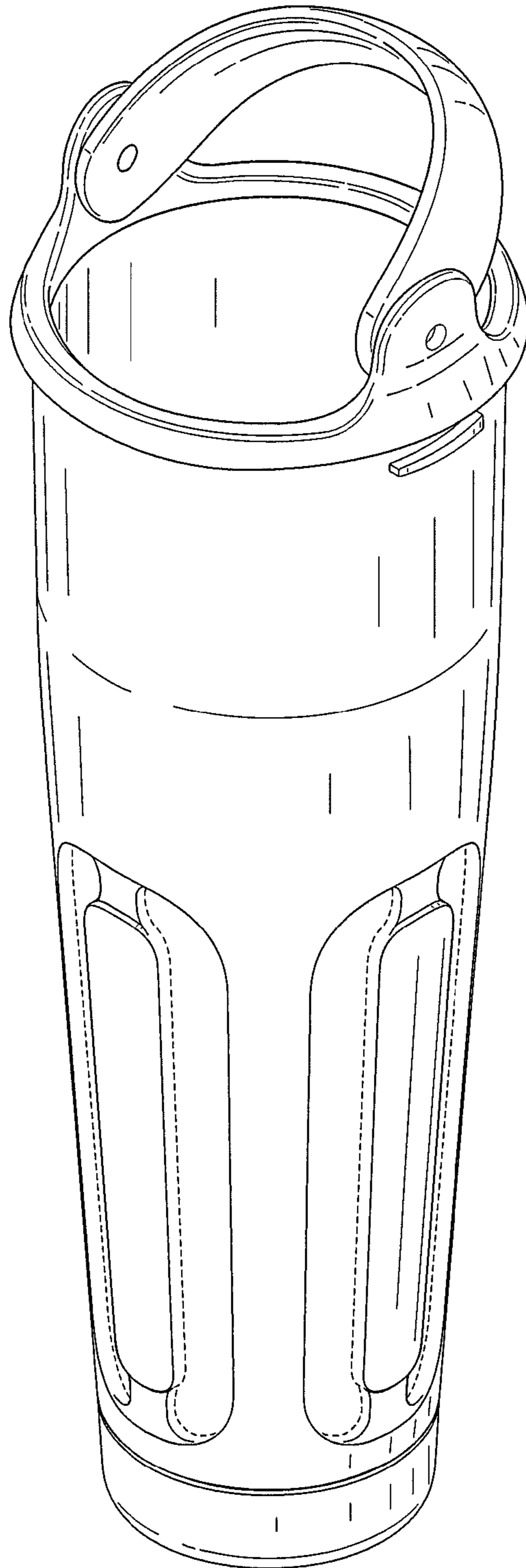
The upper part of the filter core in the first embodiment is not tapered. The filter openings in the first embodiment are spaced slightly wider apart and have a slightly more rectangular shape than in the second embodiment.

\* cited by examiner

*Primary Examiner* — Robin V Webster

**1 Claim, 14 Drawing Sheets**





**FIG. 1**

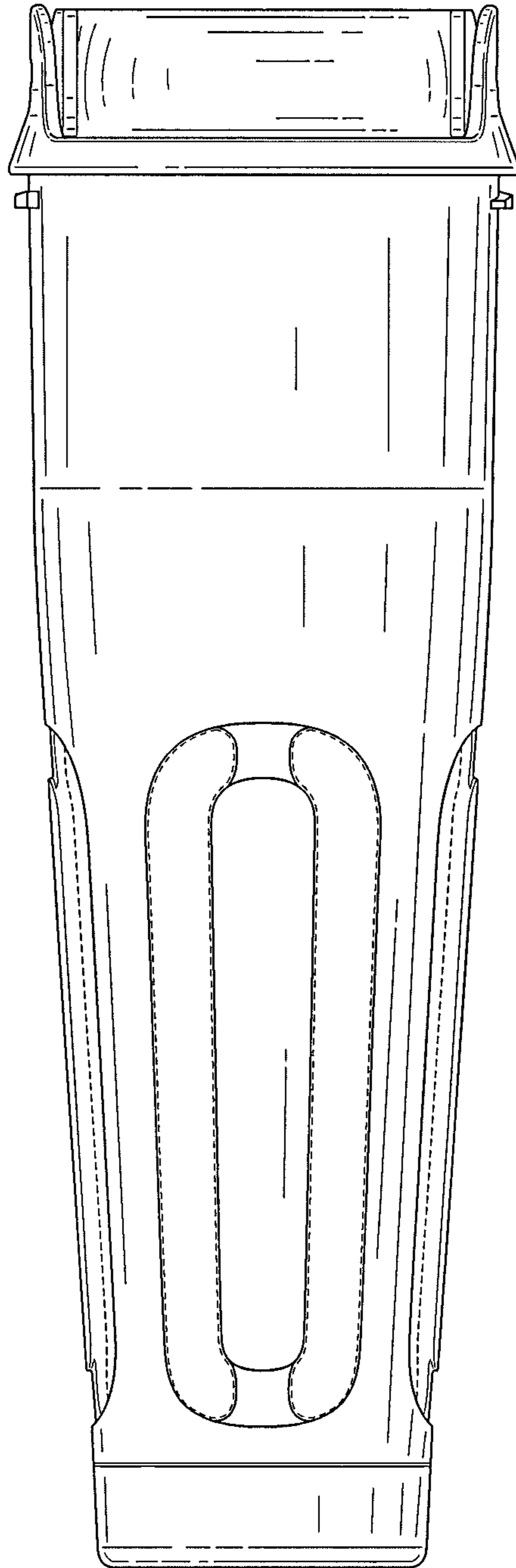


FIG. 2

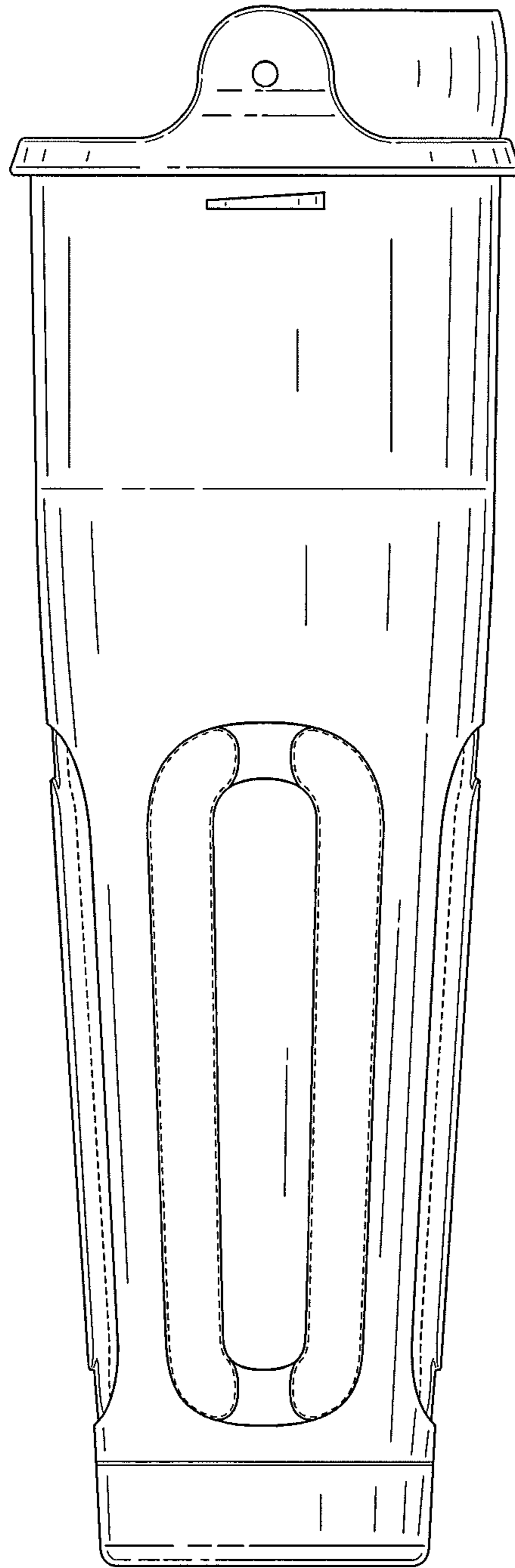


FIG. 3

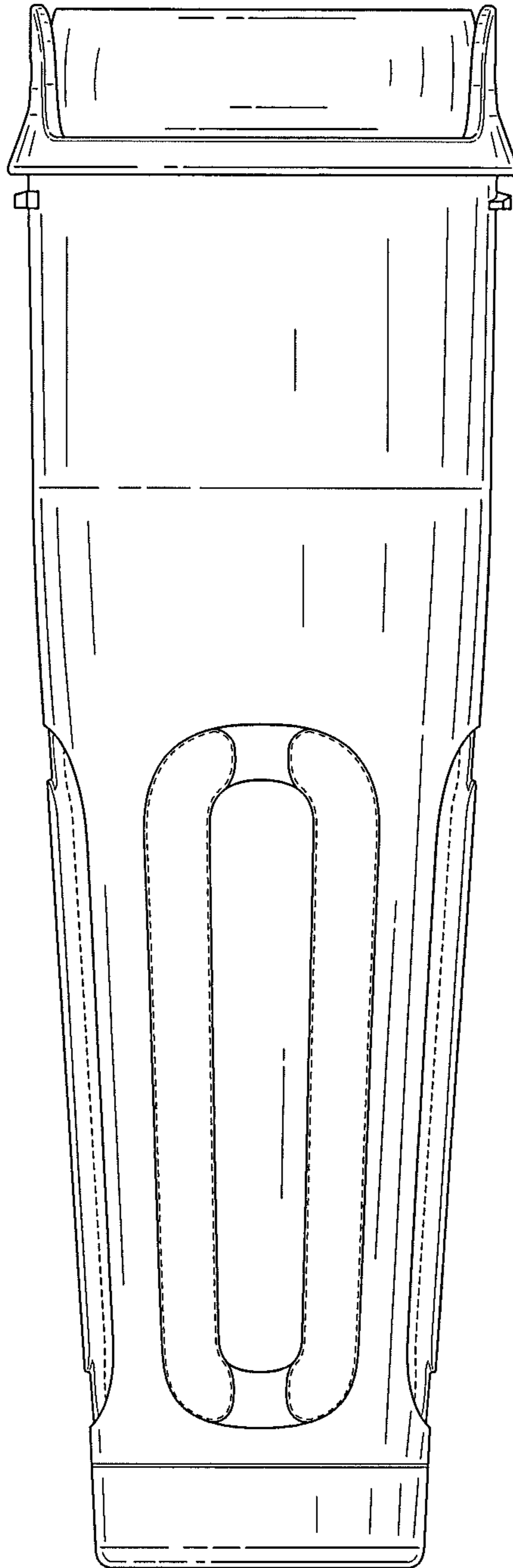


FIG. 4

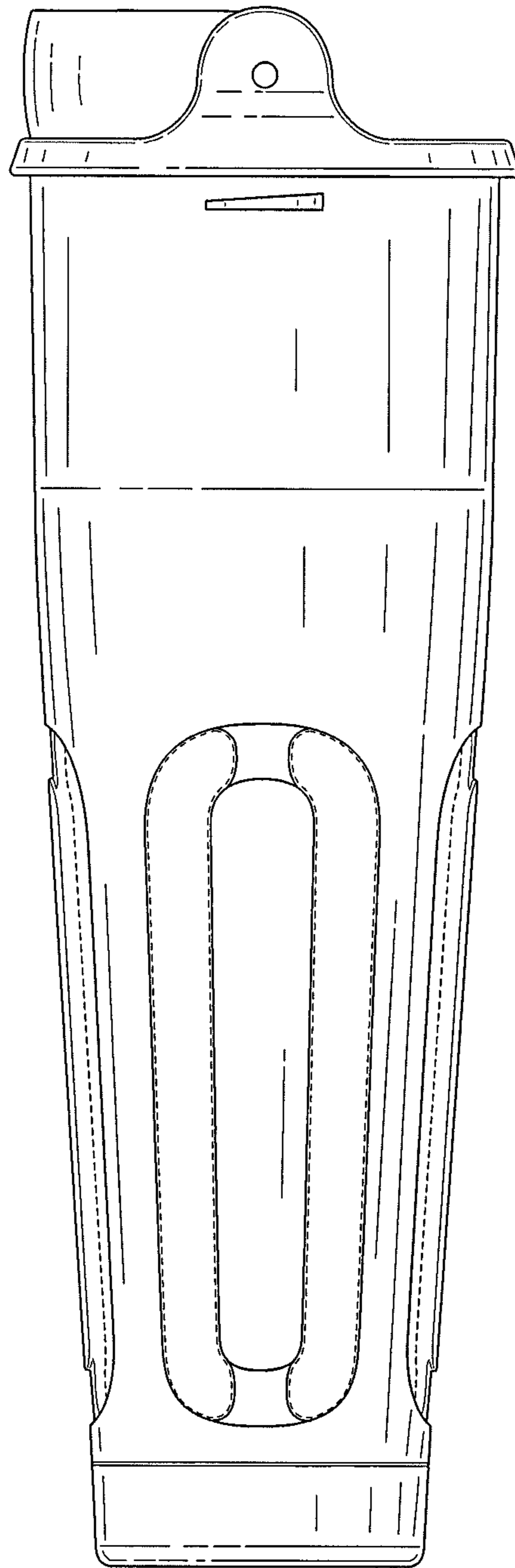


FIG. 5

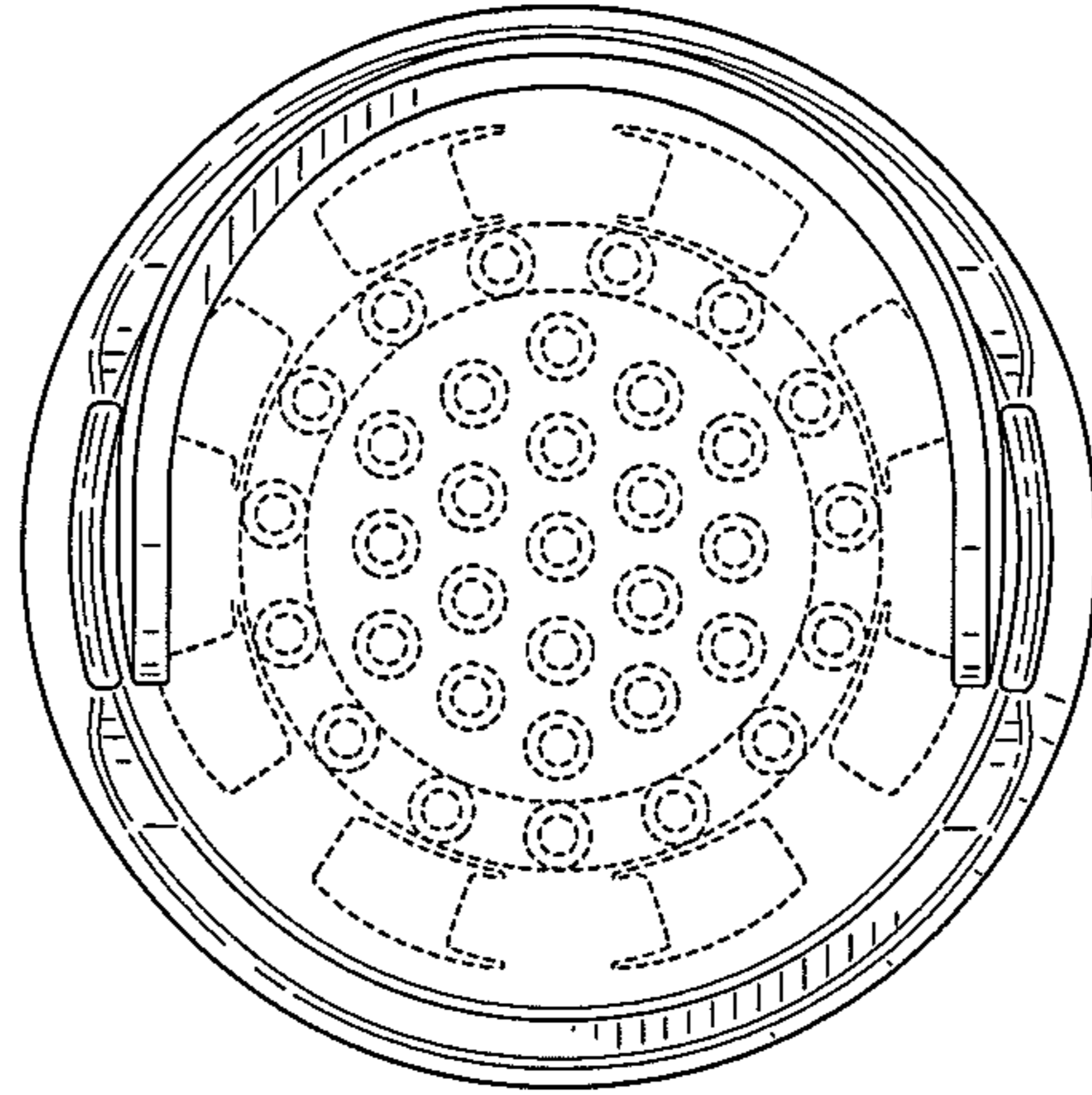


FIG. 6

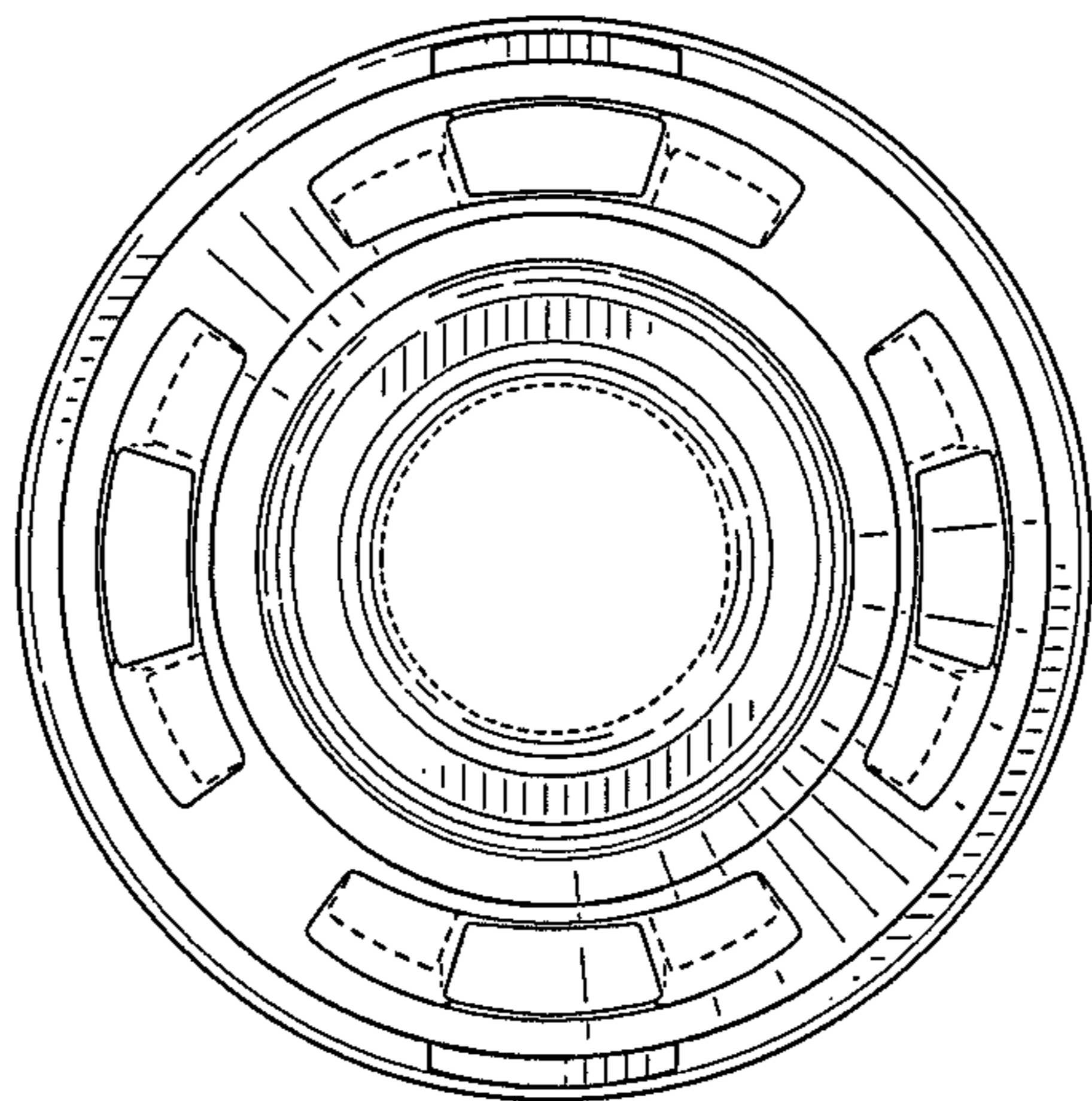


FIG. 7

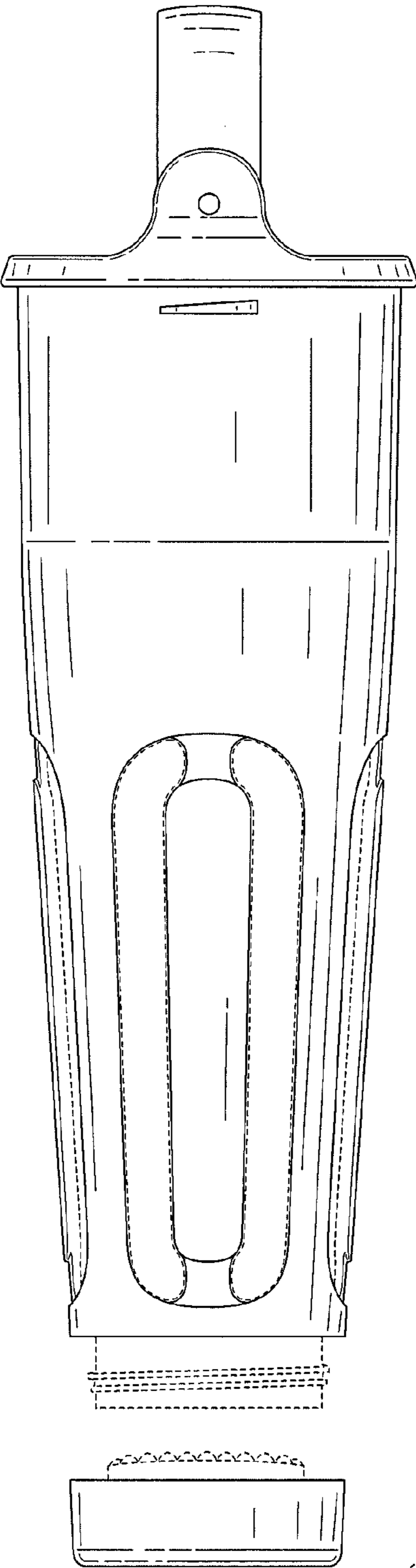


FIG. 8



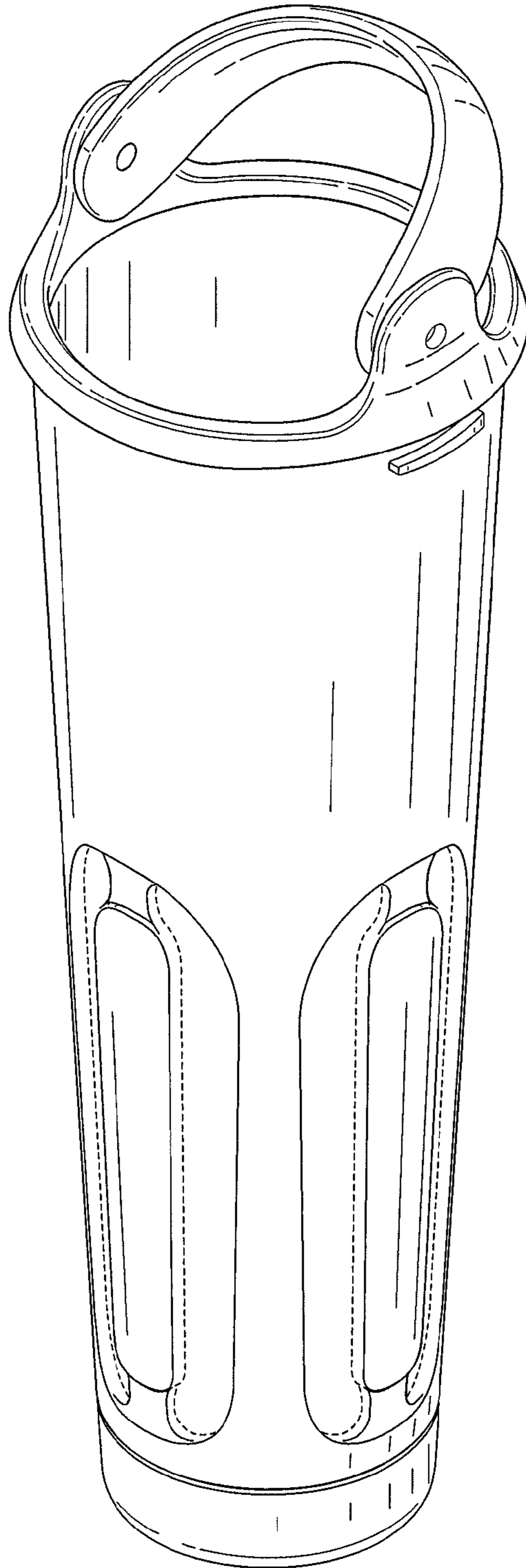
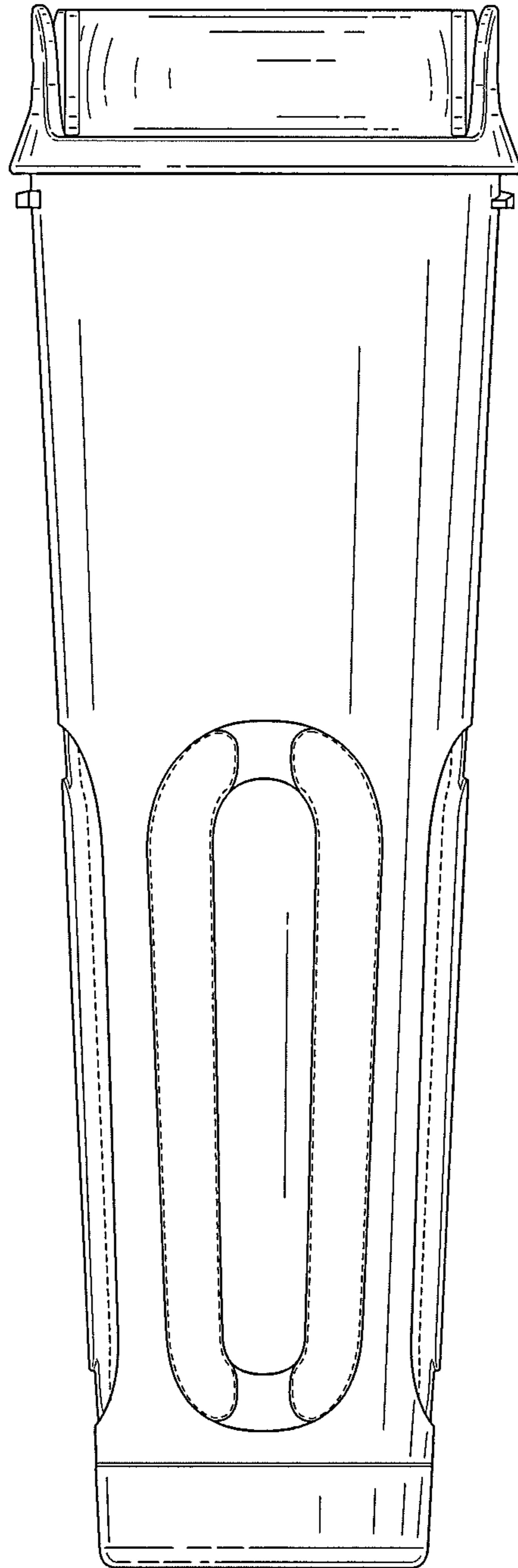


FIG. 9



**FIG. 10**

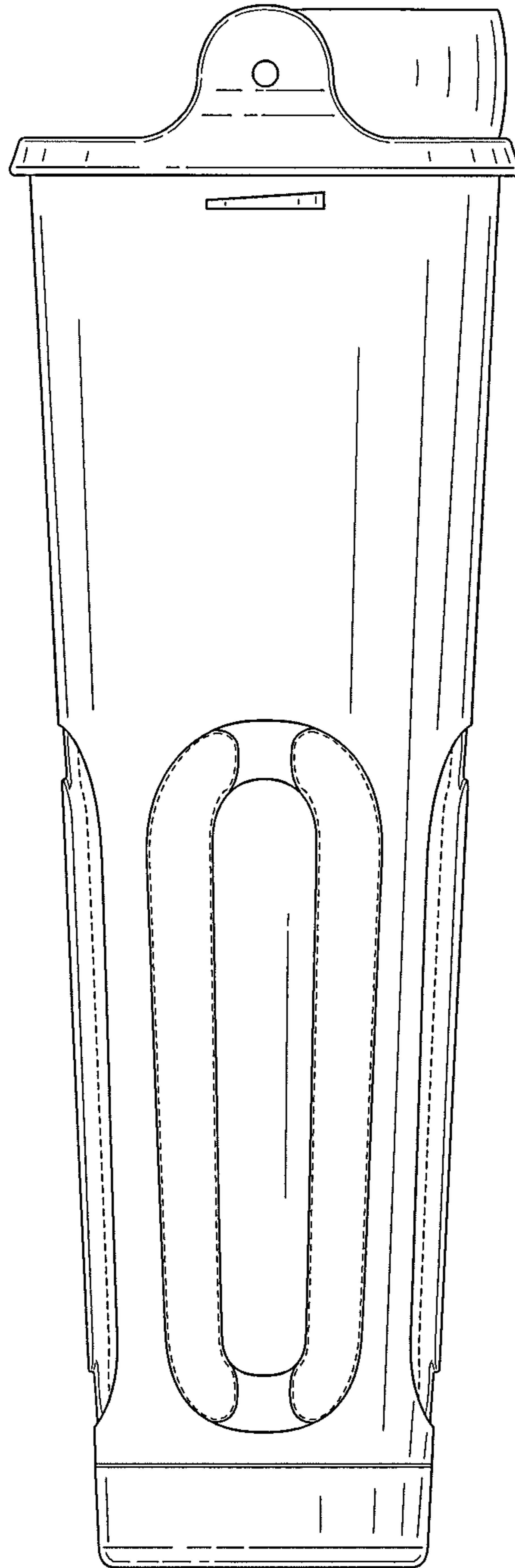


FIG. 11

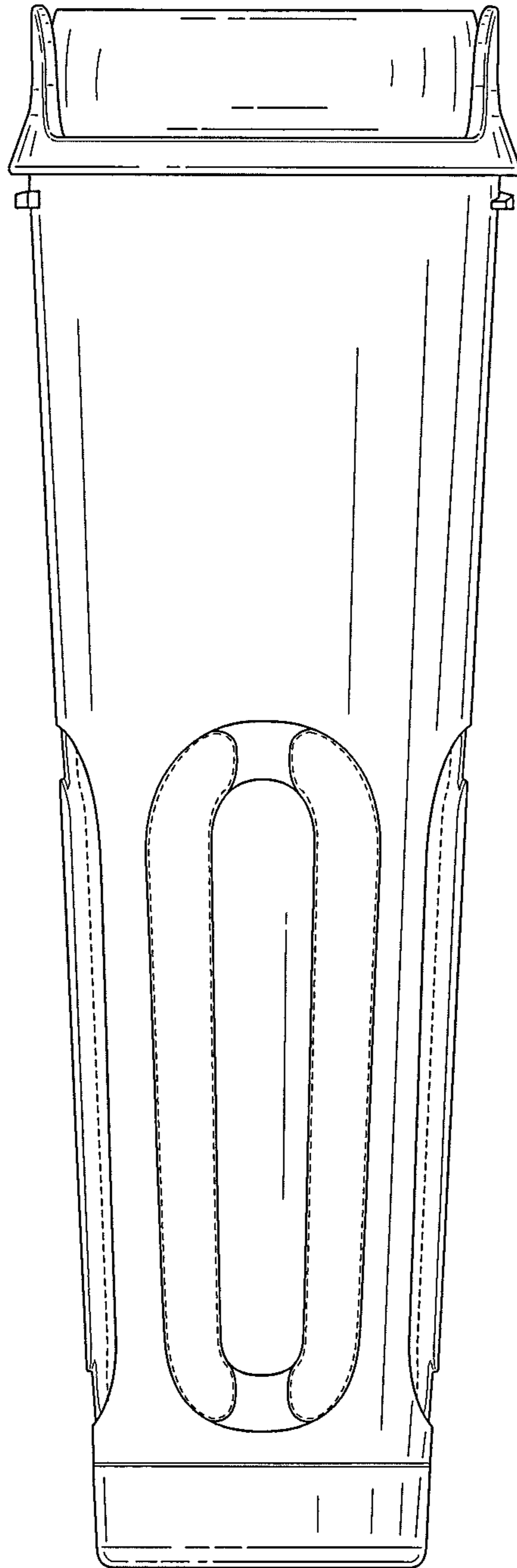


FIG. 12

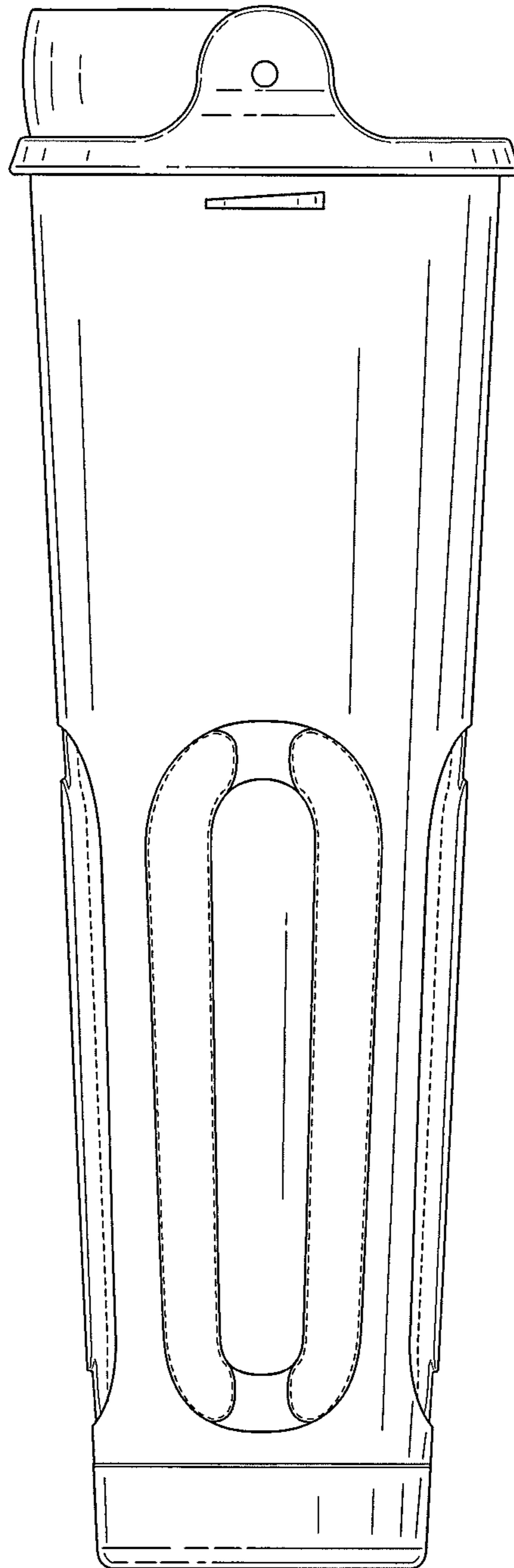
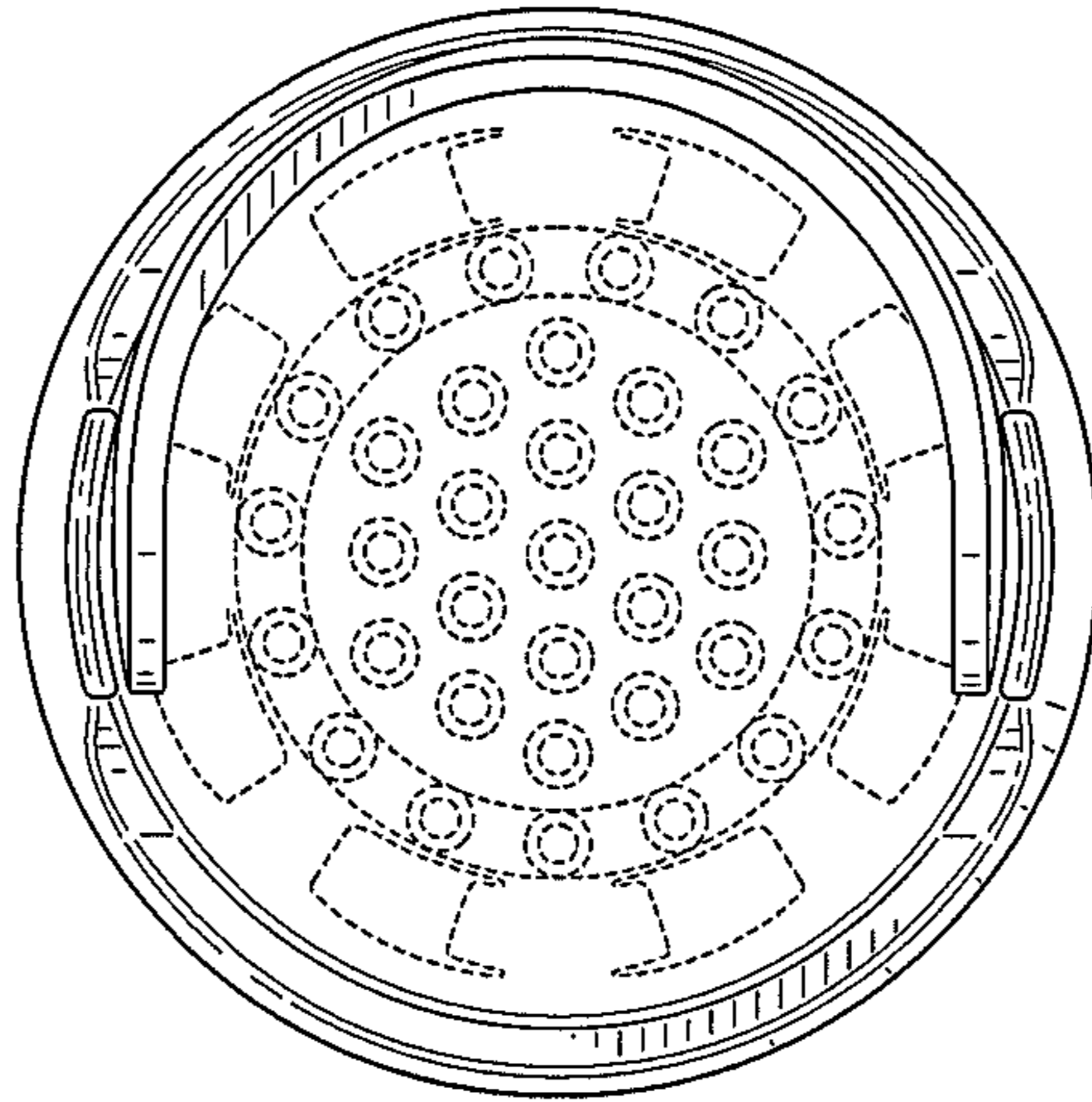
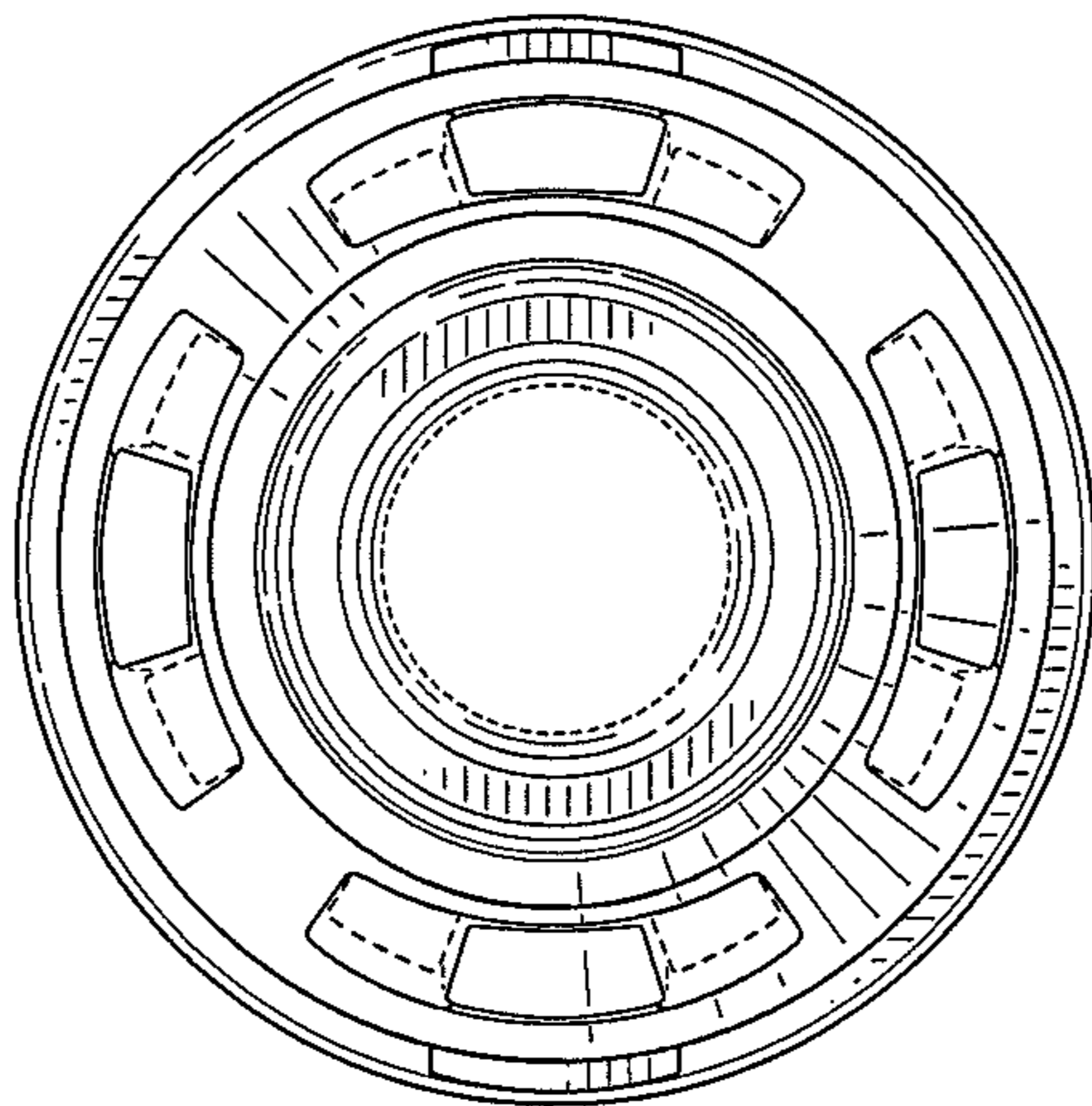


FIG. 13



**FIG. 14**



**FIG. 15**

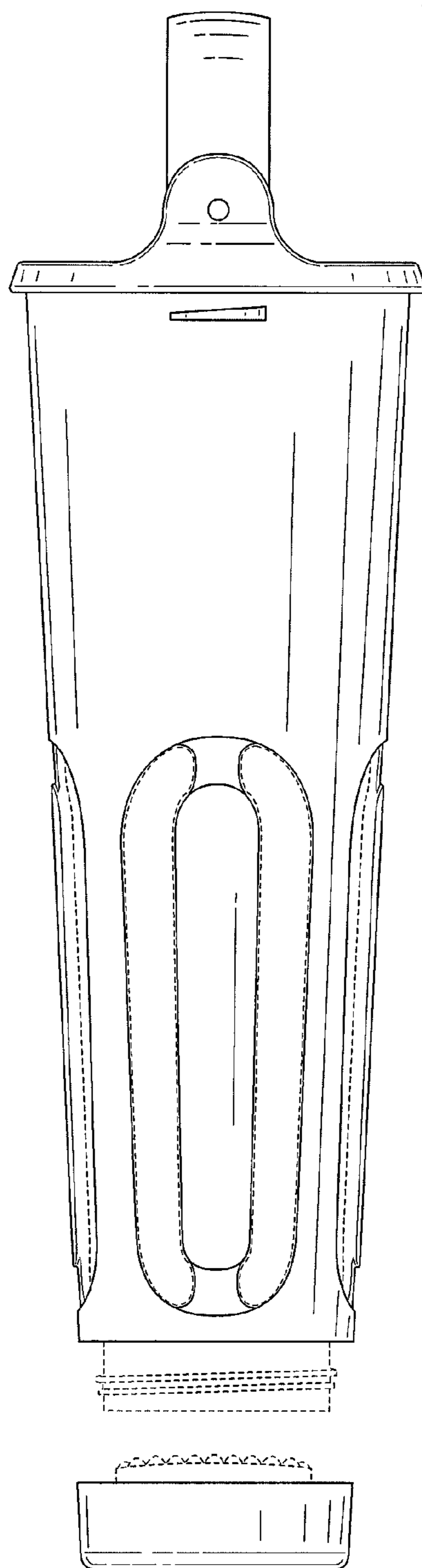


FIG. 16