



US00D729341S

(12) **United States Design Patent**
Seibold

(10) **Patent No.:** **US D729,341 S**

(45) **Date of Patent:** **** May 12, 2015**

(54) **PORTABLE WATER SUPPLY**

(71) Applicant: **Marlido, LLC**, Darien, CT (US)

(72) Inventor: **William Seibold**, Darien, CT (US)

(73) Assignee: **Marlido, LLC**, Darien, CT (US)

(**) Term: **14 Years**

(21) Appl. No.: **29/492,885**

(22) Filed: **Jun. 3, 2014**

(51) **LOC (10) Cl.** **23-01**

(52) **U.S. Cl.**
USPC **D23/200; D34/25**

(58) **Field of Classification Search**
USPC D23/200, 202; 222/608, 628; 220/4.12,
220/4.16, 9.2; 239/146, 147, 148, 149;
D34/12, 14, 19, 25
See application file for complete search history.

(56) **References Cited**

U.S. PATENT DOCUMENTS

2,437,618	A	3/1943	Schottgen et al.	
4,276,767	A	7/1981	Cartwright	
4,401,239	A	8/1983	Thomassen	
4,482,017	A *	11/1984	Morris	169/24
4,560,090	A	12/1985	Okushita	
4,573,508	A	3/1986	Knaus	
4,640,328	A	2/1987	Arney	
4,865,255	A *	9/1989	Luvisotto	239/149
4,903,864	A	2/1990	Sirhan	
5,148,939	A	9/1992	Roser	
5,289,937	A	3/1994	Boots	
5,405,234	A	4/1995	Ziaylek, Jr. et al.	
5,437,384	A	8/1995	Farrell	
5,482,179	A	1/1996	Bruhn	
5,497,897	A	3/1996	Alack et al.	

(Continued)

OTHER PUBLICATIONS

Abraham et al., "School Health," (2005).

(Continued)

Primary Examiner — Robin V Webster

(74) *Attorney, Agent, or Firm* — Eric L. Sophir; Dentons US LLP

(57) **CLAIM**

I claim the ornamental design for a portable water supply, as shown and described.

DESCRIPTION

This patent application for an ornamental design is related to non-provisional utility application U.S. application Ser. No. 14/295,281, entitled "Portable Water Supply", filed Jun. 3, 2014, which is hereby incorporated by reference in its entirety. This patent application is related to design application U.S. application Ser. No. 29/492,884, entitled "Portable Water Supply", filed Jun. 3, 2014, and design application U.S. application Ser. No. 29/492,887, entitled "Portable Water Supply", filed Jun. 3, 2014, each of which are entirely incorporated by reference herein.

FIG. 1 is a perspective view showing a front, a first side, and a top of the portable water supply in accordance with my design.

FIG. 2 is a view of the front of the portable water supply in accordance with my design.

FIG. 3 is a view of the back of the portable water supply in accordance with my design.

FIG. 4 shows the second side of the portable water supply in accordance with my design.

FIG. 5 shows the first side of the portable water supply in accordance with my design.

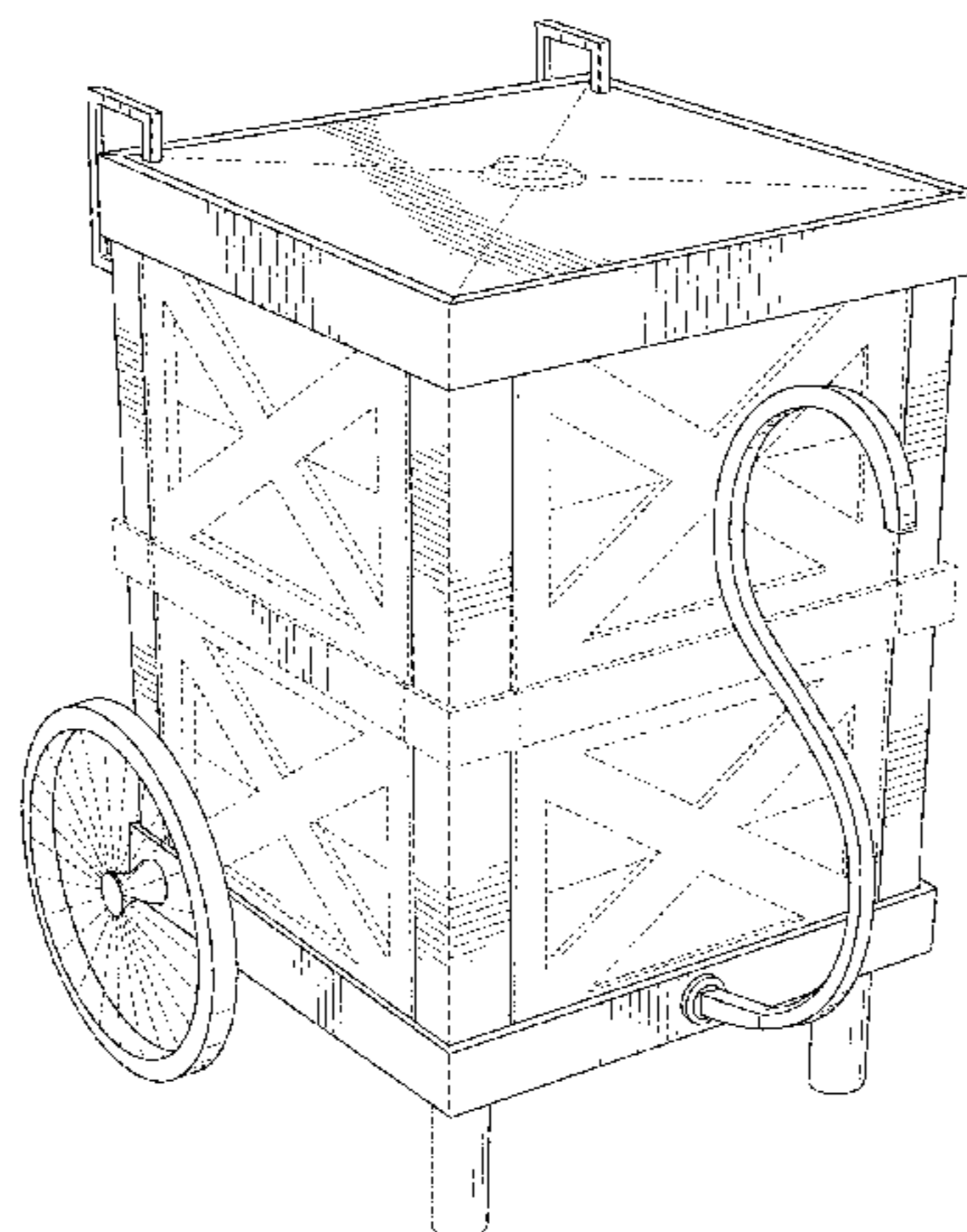
FIG. 6 is a view of the top of the portable water supply in accordance with my design; and,

FIG. 7 is a view of a bottom of the portable water supply in accordance with my design.

The figures may provide lines showing shading intended to convey depth and to contribute to clarity of understanding. It should be appreciated that such shading lines are not intended to be part of the disclosed subject matter.

The broken line showing is included for the purpose of illustrating and forms no part of the claimed design.

1 Claim, 7 Drawing Sheets



(56)

References Cited

U.S. PATENT DOCUMENTS

5,722,552 A 3/1998 Olson
 5,746,343 A 5/1998 Waltke et al.
 5,799,818 A 9/1998 Ringer
 5,819,773 A 10/1998 Kronowitt
 5,853,581 A 12/1998 Rayborn et al.
 5,897,038 A * 4/1999 Myers 222/608
 D410,726 S * 6/1999 Cook D23/207
 5,979,685 A 11/1999 Schuetz
 5,979,972 A 11/1999 Gehman
 5,997,737 A 12/1999 Sturdevant et al.
 6,152,707 A 11/2000 Alberg
 6,182,453 B1 2/2001 Forsberg
 6,220,474 B1 4/2001 Bedon
 6,390,331 B2 5/2002 Schutz
 6,401,953 B2 6/2002 Kofod
 6,446,881 B1 * 9/2002 You 239/146
 6,681,956 B2 1/2004 Bolgar
 6,694,739 B2 2/2004 Beckius et al.
 6,726,052 B1 4/2004 Miller
 6,902,061 B1 * 6/2005 Elstone 206/600
 7,014,077 B2 3/2006 Brown
 7,036,676 B2 5/2006 Christensen
 7,090,779 B2 8/2006 Bernstein et al.
 7,137,223 B1 * 11/2006 Purcell 47/48.5
 7,188,747 B2 3/2007 Bennett et al.
 D545,025 S * 6/2007 Elden D34/25
 7,308,989 B2 12/2007 Zheng
 7,311,829 B2 12/2007 Roffman et al.
 7,350,670 B2 4/2008 Steeves et al.
 7,360,784 B2 * 4/2008 Stewart et al. 280/656
 7,389,909 B2 6/2008 Crosland et al.
 7,500,442 B1 3/2009 Schanz
 7,681,783 B2 3/2010 Stephenson
 7,699,186 B2 4/2010 Zheng
 7,708,186 B2 5/2010 Pawlick
 7,762,393 B2 7/2010 Schutz
 7,819,274 B2 10/2010 Fripps
 7,841,289 B1 11/2010 Schanz
 7,905,368 B1 3/2011 Christensen
 7,938,291 B2 5/2011 Christensen
 7,957,947 B2 6/2011 Odi
 8,017,701 B2 9/2011 McElvain et al.
 D647,165 S * 10/2011 Brown et al. D23/200
 8,133,400 B2 3/2012 Kee et al.
 8,162,180 B2 4/2012 Lips
 8,261,931 B2 * 9/2012 Amstutz 220/612
 8,303,899 B2 11/2012 McElvain et al.
 8,313,644 B2 11/2012 Harris et al.
 8,543,242 B2 9/2013 Odi
 8,562,791 B2 10/2013 Riley et al.
 8,569,433 B2 10/2013 McElvain et al.

8,690,028 B2 * 4/2014 Risheq 222/608
 2003/0070430 A1 4/2003 Beckius et al.
 2004/0244996 A1 12/2004 Kravkov
 2006/0019047 A1 1/2006 Giori et al.
 2006/0157343 A1 7/2006 Herrington
 2008/0105678 A1 5/2008 Regan et al.
 2008/0237101 A1 10/2008 Roussel et al.
 2008/0283525 A1 11/2008 Heider
 2009/0166368 A1 7/2009 Regan et al.
 2009/0313996 A1 12/2009 Riley et al.
 2010/0254633 A1 10/2010 Andochick
 2010/0308047 A1 12/2010 Regan et al.
 2011/0011273 A1 1/2011 Evers et al.
 2011/0056519 A1 3/2011 Card et al.
 2011/0215054 A1 9/2011 Lantis et al.
 2012/0241448 A1 9/2012 Claeys
 2012/0251388 A1 10/2012 Case, III et al.
 2012/0267232 A1 10/2012 Riley et al.
 2013/0037114 A1 2/2013 Sudhalkar
 2013/0056899 A1 3/2013 McElvain et al.
 2013/0127074 A1 5/2013 Riley et al.
 2013/0263789 A1 10/2013 Delman

OTHER PUBLICATIONS

Bloomquist, R.G., "Geothermal District Energy System Analysis, Design, and Development." Text-book of European Summer School on Geothermal Energy Applications (2001): pp. 213.
 Gingrich, J.B. et al., "Regional Disease Vector Ecology Profile East Asia." Armed Forces Pest Management Board Washington DC, (2002).
 Makel, W.J. et al., "Cleaning Recreation Sites." United States Department of Agriculture, Forest eService, Technology and Development Program, (1996).
 Manghi, N., "Drinking water contamination at household low-income countries and improved storage solutions." (2005).
 McAllister, F.A., "Apollo Experience Report-Crew Provisions and Equipment Subsystem." NASA Technical Note 2 (1972): 1.
 Neveril et al., "Water Container Liner" (1967).
 Nieuwoudt et al., "A Disinfectant Dispenser for Use with Portable Water Containers in Rural Areas" (2005).
 Roberts et al., "Marine Corps Shelterized Expeditionary Food Service System". Army Natick Research and Development Center, MA, (1980).
 Sobsey et al., "Managing water in the home: accelerated health gains from improved water supply". Geneva: World Health Organization, (2002).
 "Water Treatment: Water Treatment and Examination", LDS Preparedness Manual (1972): 47.

* cited by examiner

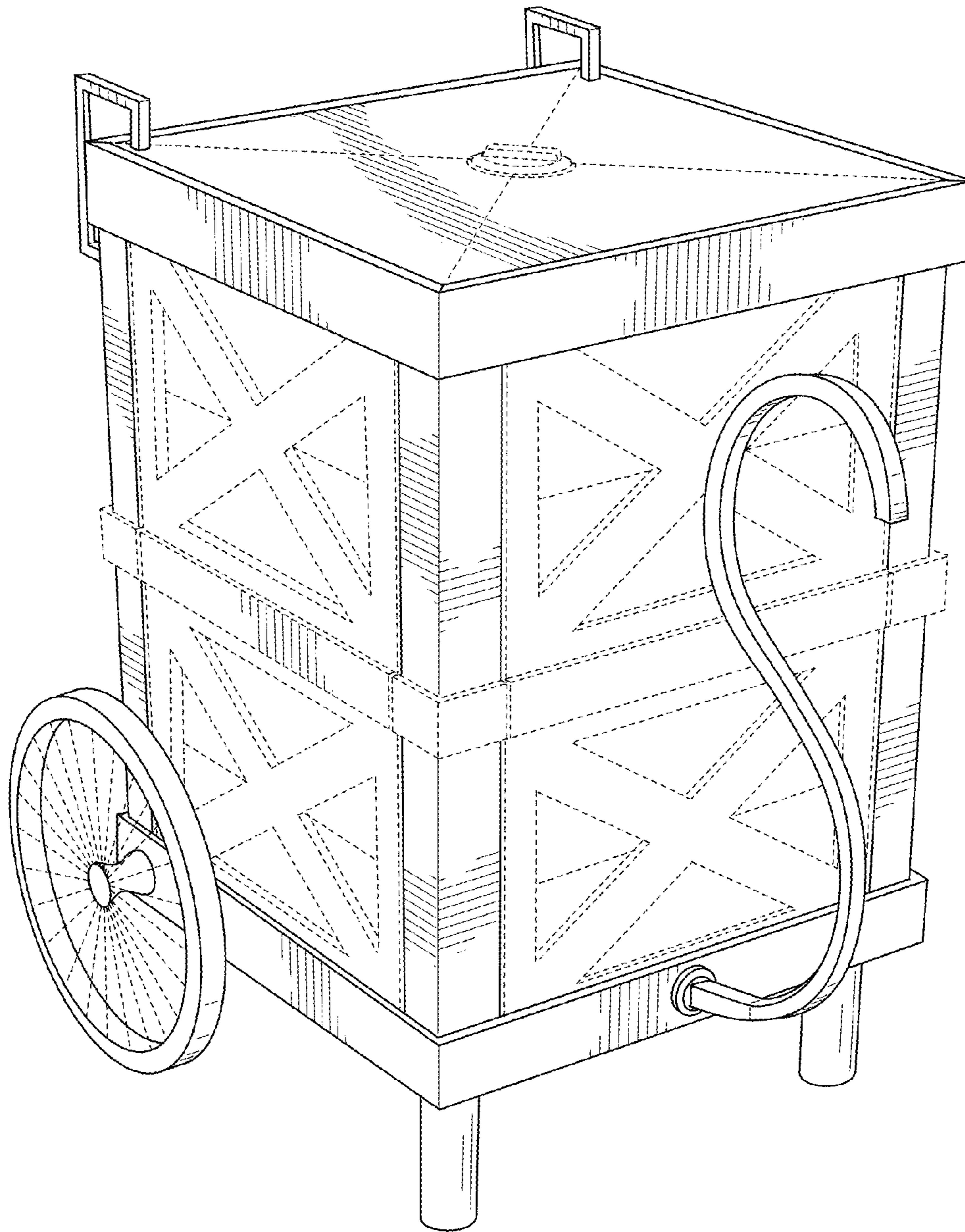


FIG. 1

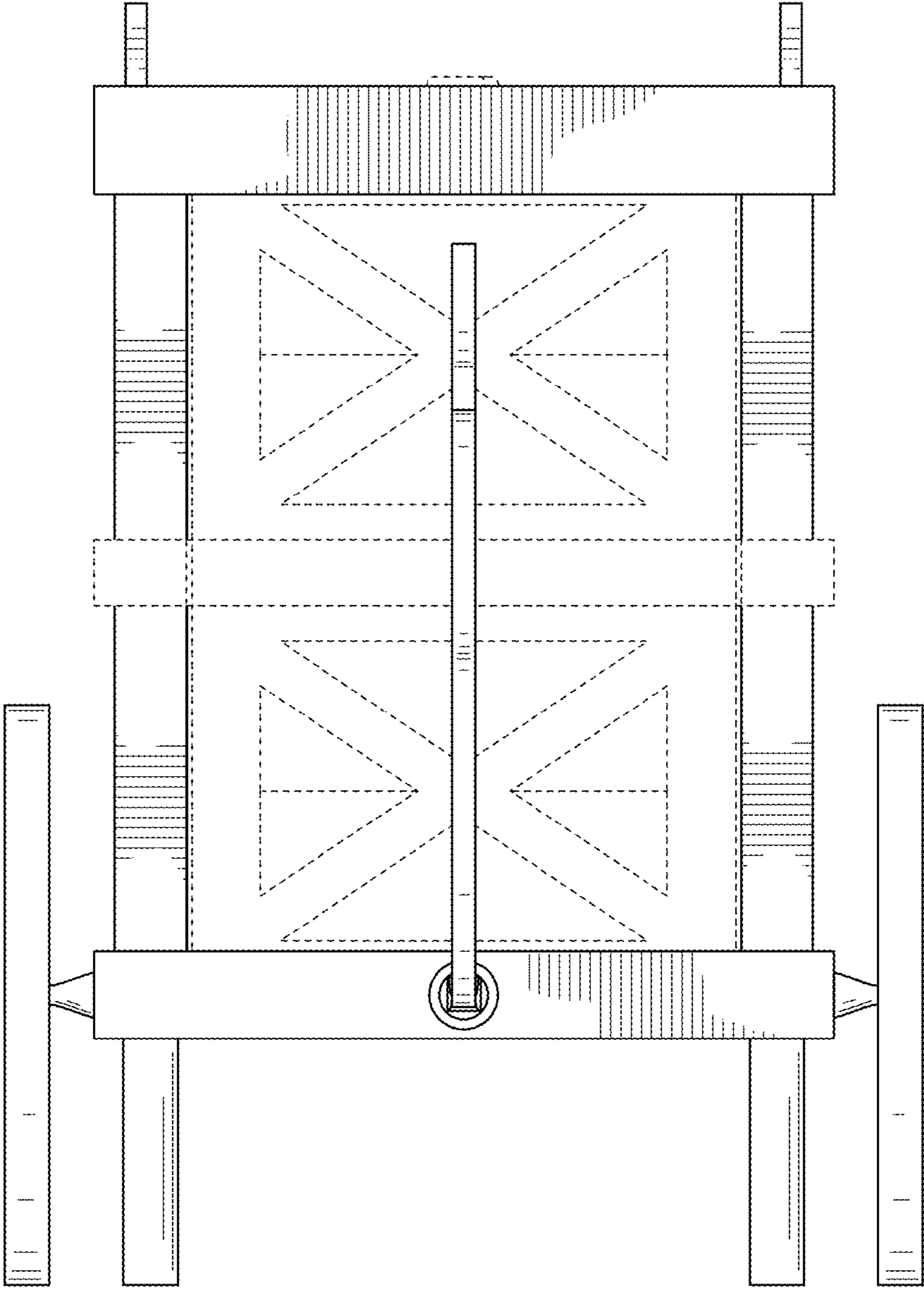


FIG. 2

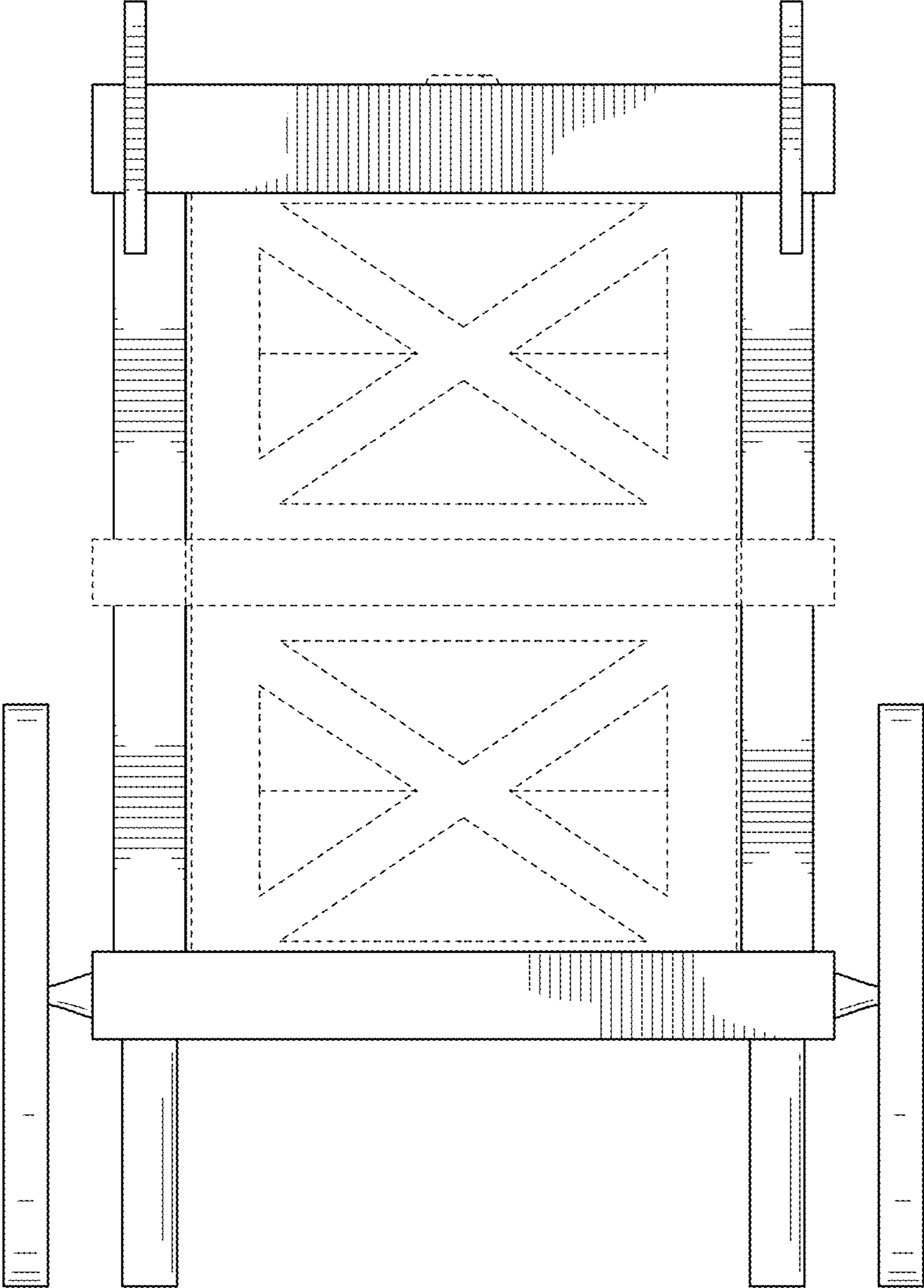


FIG. 3

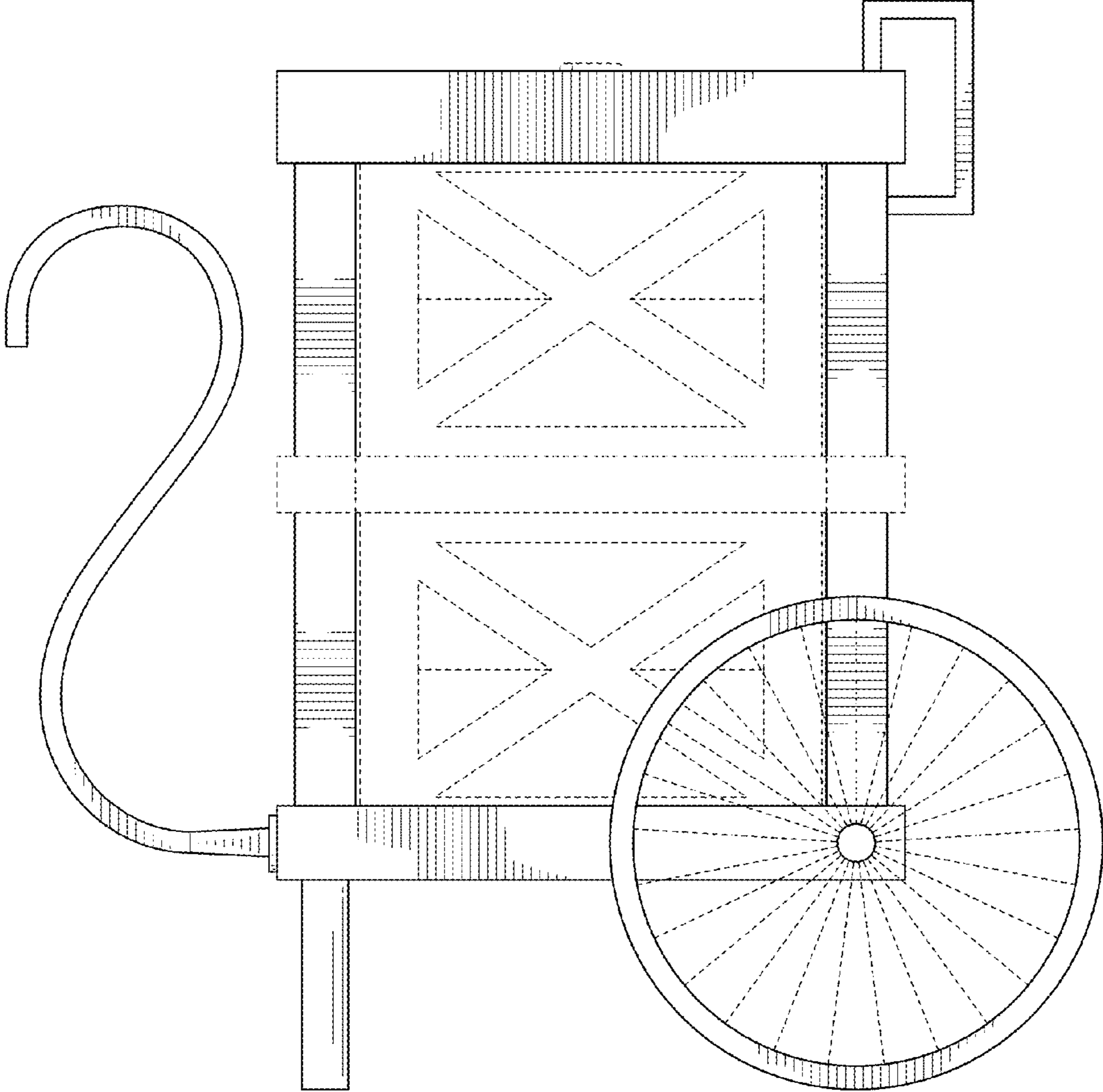


FIG. 4

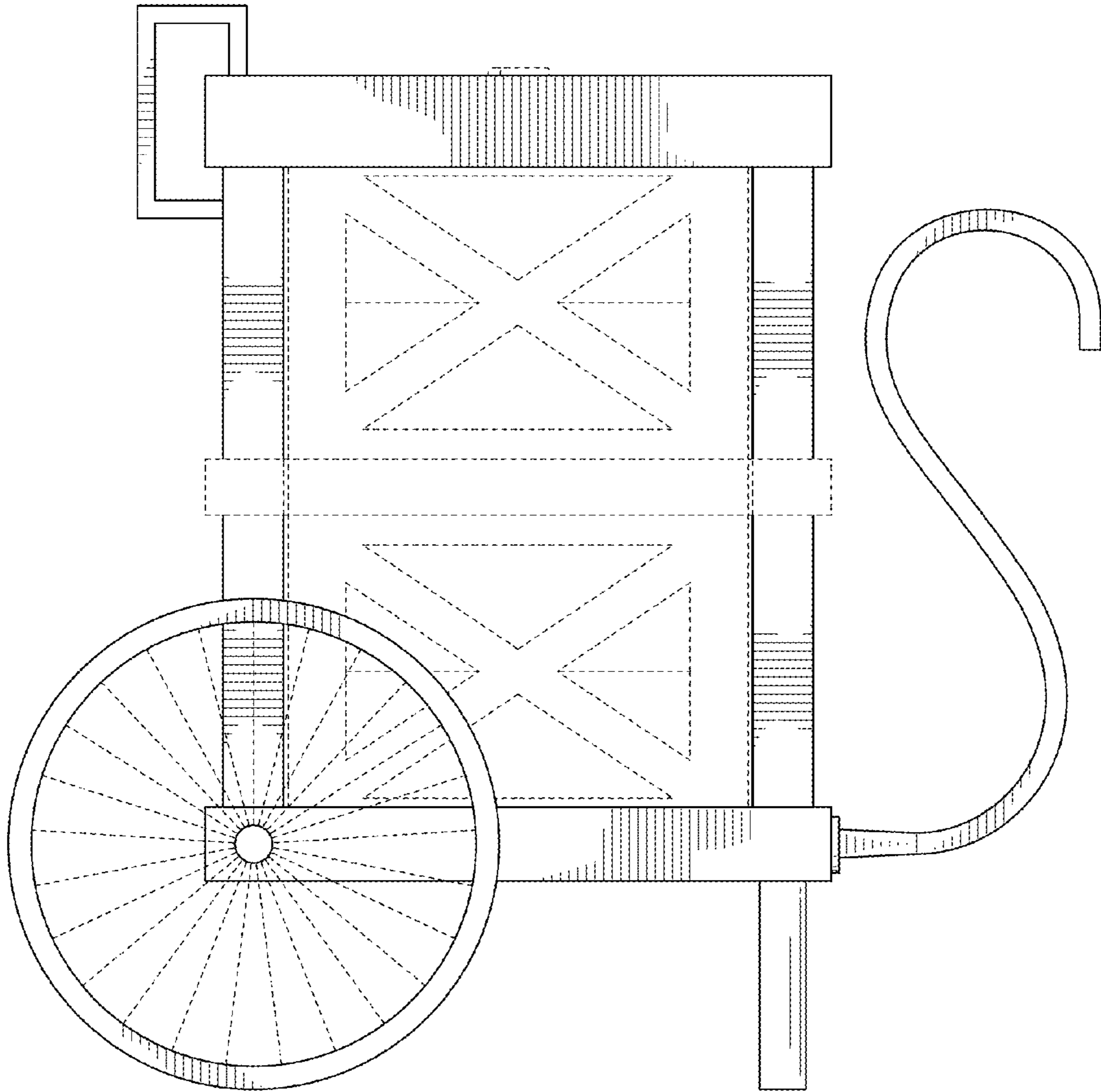


FIG. 5

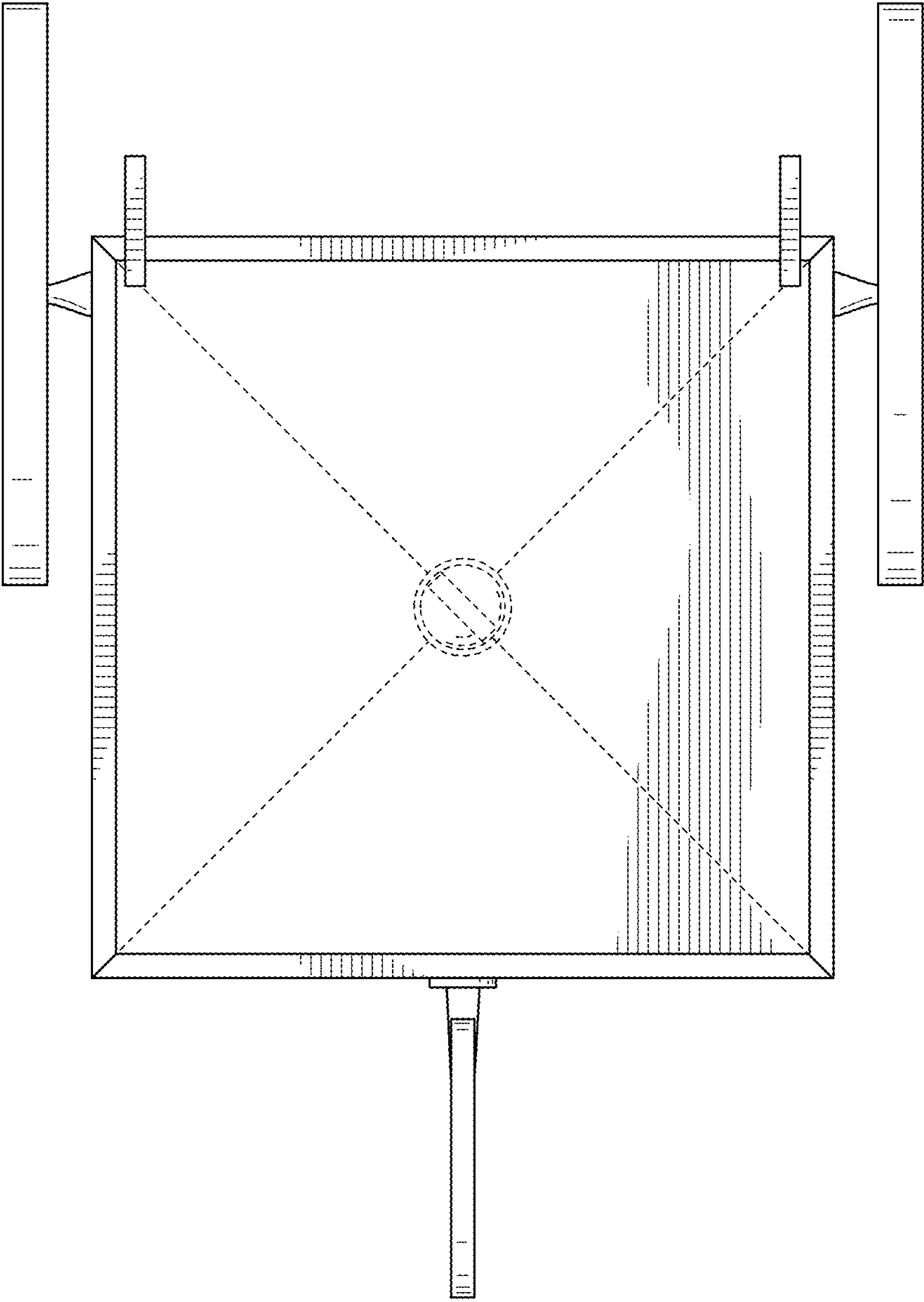


FIG. 6

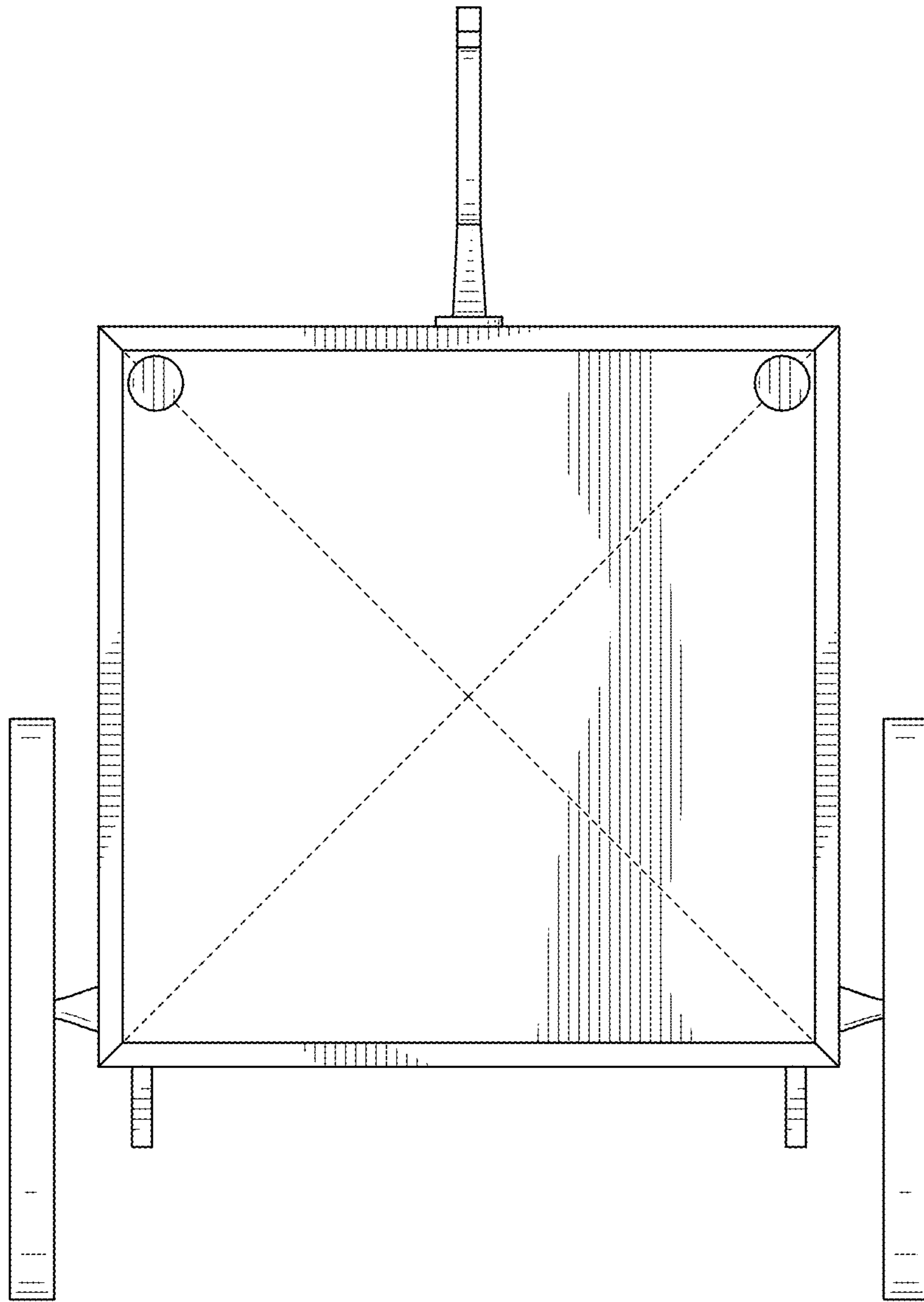


FIG. 7