



US00D729340S

(12) **United States Design Patent**  
**Zhang et al.**

(10) **Patent No.:** **US D729,340 S**  
(45) **Date of Patent:** **\*\* May 12, 2015**

(54) **ANT BAIT STATION WITH STEPPED ENTRY**

D639,895 S 6/2011 Schneidmiller  
D686,689 S \* 7/2013 Bernard ..... D22/122  
D701,285 S 3/2014 Chapin  
2013/0318860 A1 12/2013 Zhang

(71) Applicant: **Sterling International Inc.**, Spokane,  
WA (US)

(72) Inventors: **Qing-He Zhang**, Greenacres, WA (US);  
**Marc Chapin**, Spokane, WA (US);  
**Rodney G. Schneidmiller**, Greenacres,  
WA (US)

(73) Assignee: **Sterling International Inc.**, Spokane,  
WA (US)

(\*\*) Term: **14 Years**

(21) Appl. No.: **29/489,374**

(22) Filed: **Apr. 29, 2014**

**Related U.S. Application Data**

(63) Continuation-in-part of application No. 29/489,123,  
filed on Apr. 25, 2014.

(51) **LOC (10) Cl.** ..... **22-06**

(52) **U.S. Cl.**  
USPC ..... **D22/122**

(58) **Field of Classification Search**  
USPC ..... D22/119–124; 43/58, 60–61, 107,  
43/112–113, 121, 124, 131, 132.1  
See application file for complete search history.

(56) **References Cited**

**U.S. PATENT DOCUMENTS**

D374,703 S \* 10/1996 Dickson et al. .... D22/122  
D425,961 S \* 5/2000 Kemmis ..... D22/122  
D515,175 S \* 2/2006 Mayo et al. .... D22/122  
D544,064 S \* 6/2007 Kerl et al. .... D22/122  
D577,413 S \* 9/2008 Long ..... D22/122

**OTHER PUBLICATIONS**

Zhang, Q-H., et al., "Fruit Fly Trap," Design U.S. Appl. No.  
29/479,096, filed Jan. 10, 2014.

Zhang, Q-H., et al., "Fruit Fly Trap Entry Structure," Design U.S.  
Appl. No. 29/479,095, filed Jan. 10, 2014.

Zhang, Q-H., et al., "Translucent Fruit Fly Trap," Design U.S. Appl.  
No. 29/479,094, filed Jan. 10, 2014.

\* cited by examiner

*Primary Examiner* — Catheri Oliver-Garcia

(74) *Attorney, Agent, or Firm* — Christensen O'Connor  
Johnson Kindness PLLC

(57) **CLAIM**

The ornamental design for an ant bait station with stepped  
entry, as shown.

**DESCRIPTION**

FIG. 1 is an upper perspective of an ant bait station in accor-  
dance with the present design;

FIG. 2 is a lower perspective view of the ant bait station with  
stepped entry shown in FIG. 1;

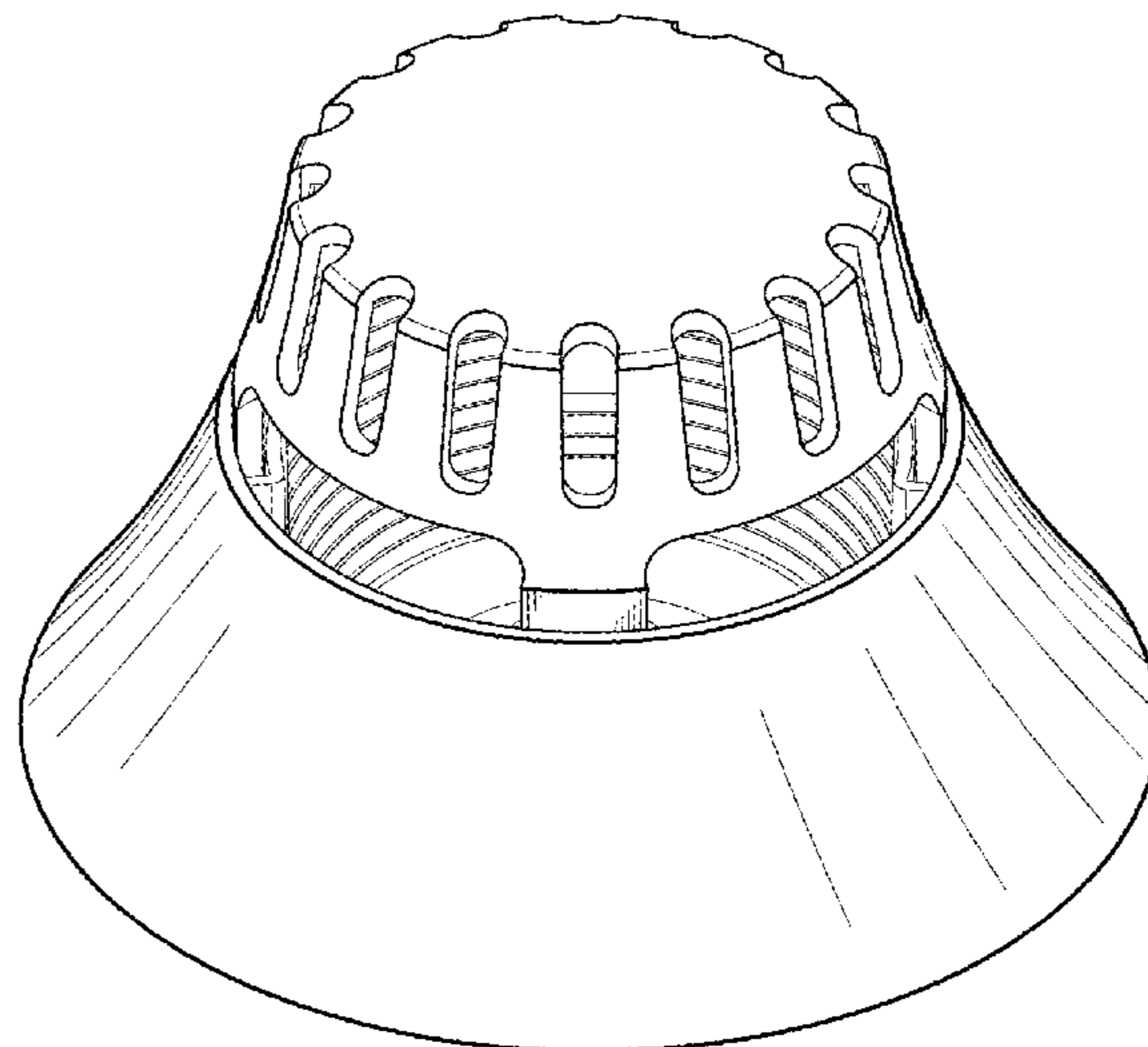
FIG. 3 is a plan view of the ant bait station with stepped entry  
shown in FIG. 1;

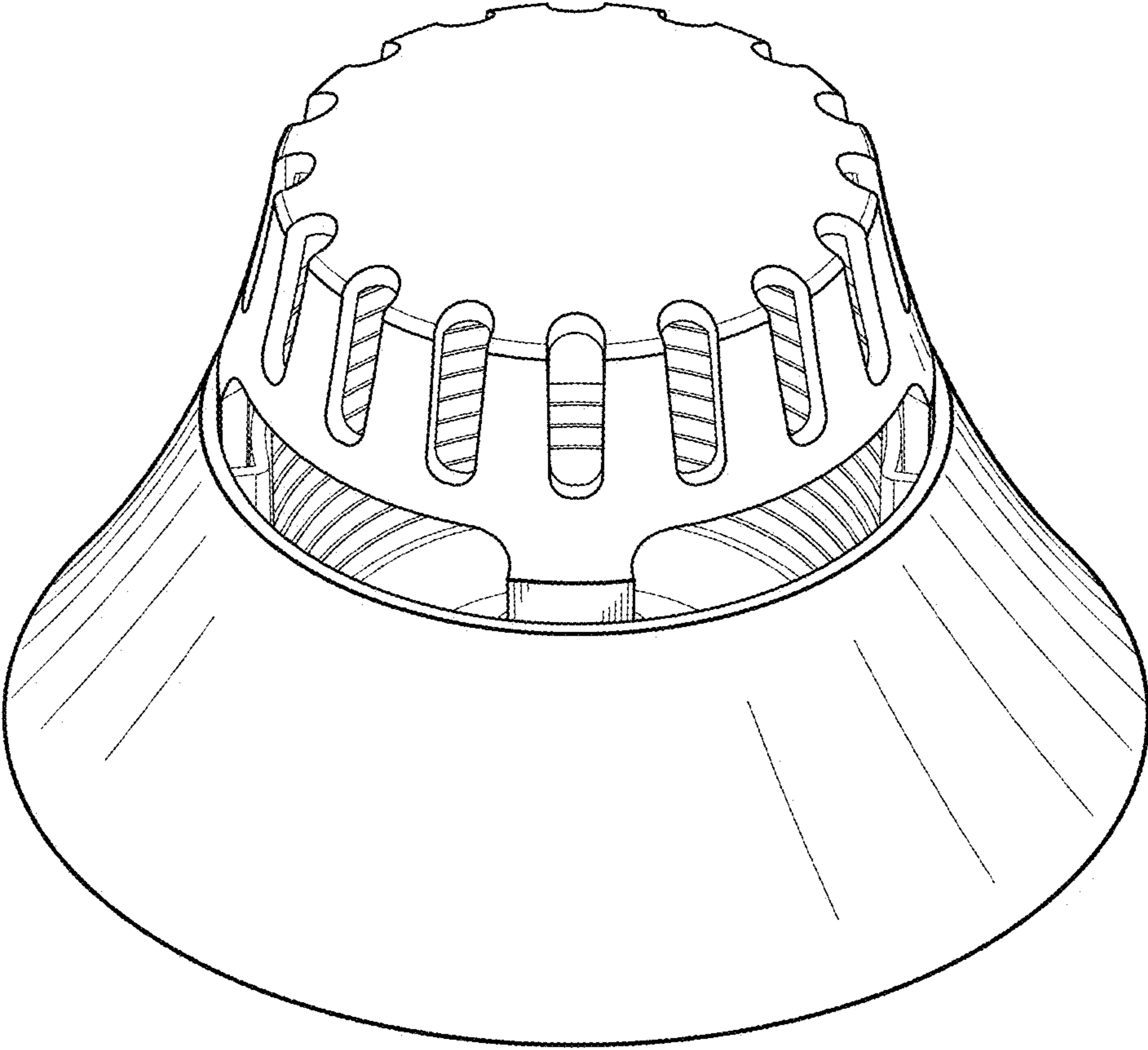
FIG. 4 is a bottom view of the ant bait station with stepped  
entry shown in FIG. 1;

FIG. 5 is a front view of the ant bait station with stepped entry  
shown in FIG. 1, which is the same as the rear view, and the  
left side view, and the right side view; and,

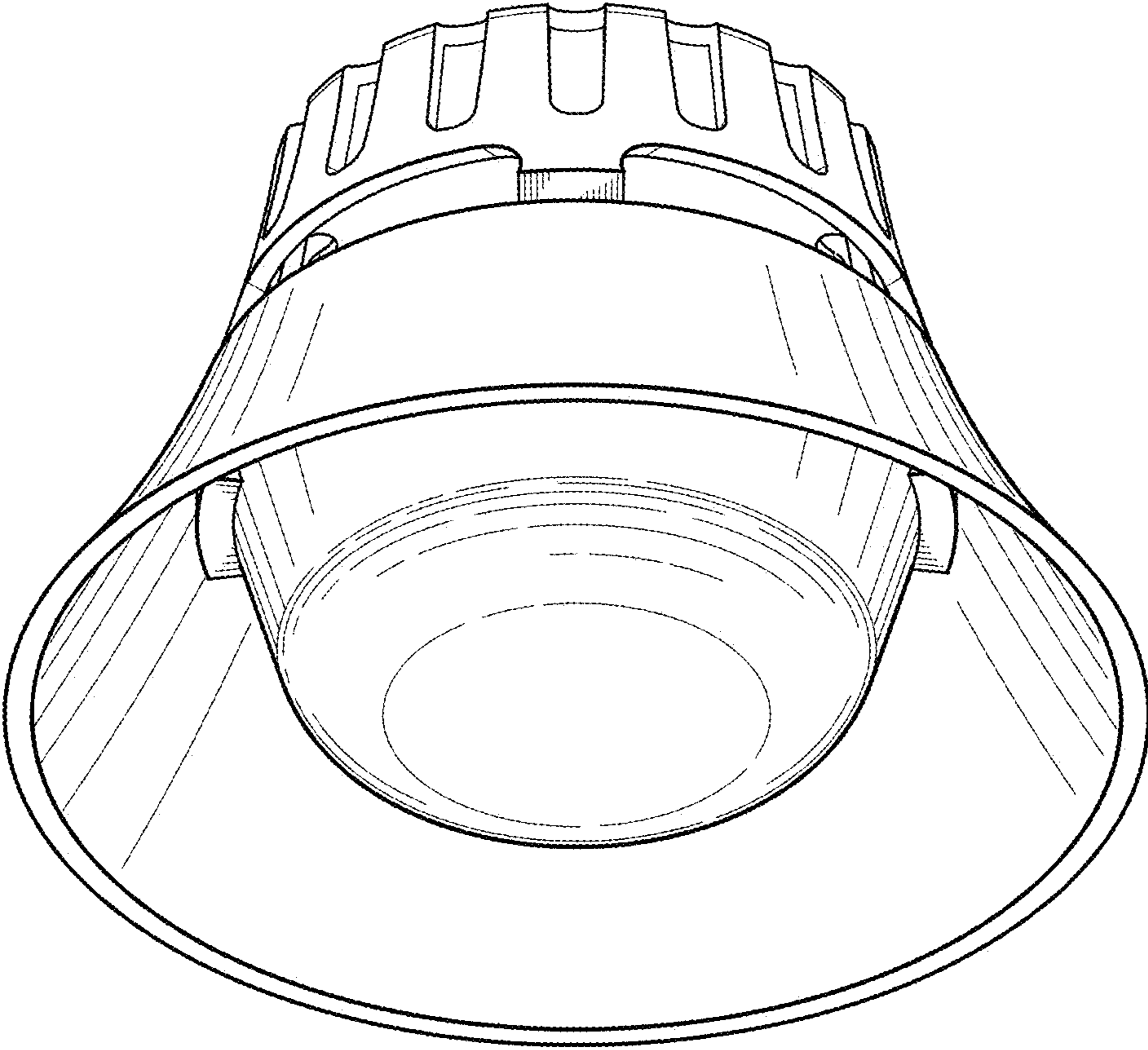
FIG. 6 is a section view through section 6-6 shown in FIG. 5,  
of the ant bait station with stepped entry shown in FIG. 1.

**1 Claim, 6 Drawing Sheets**

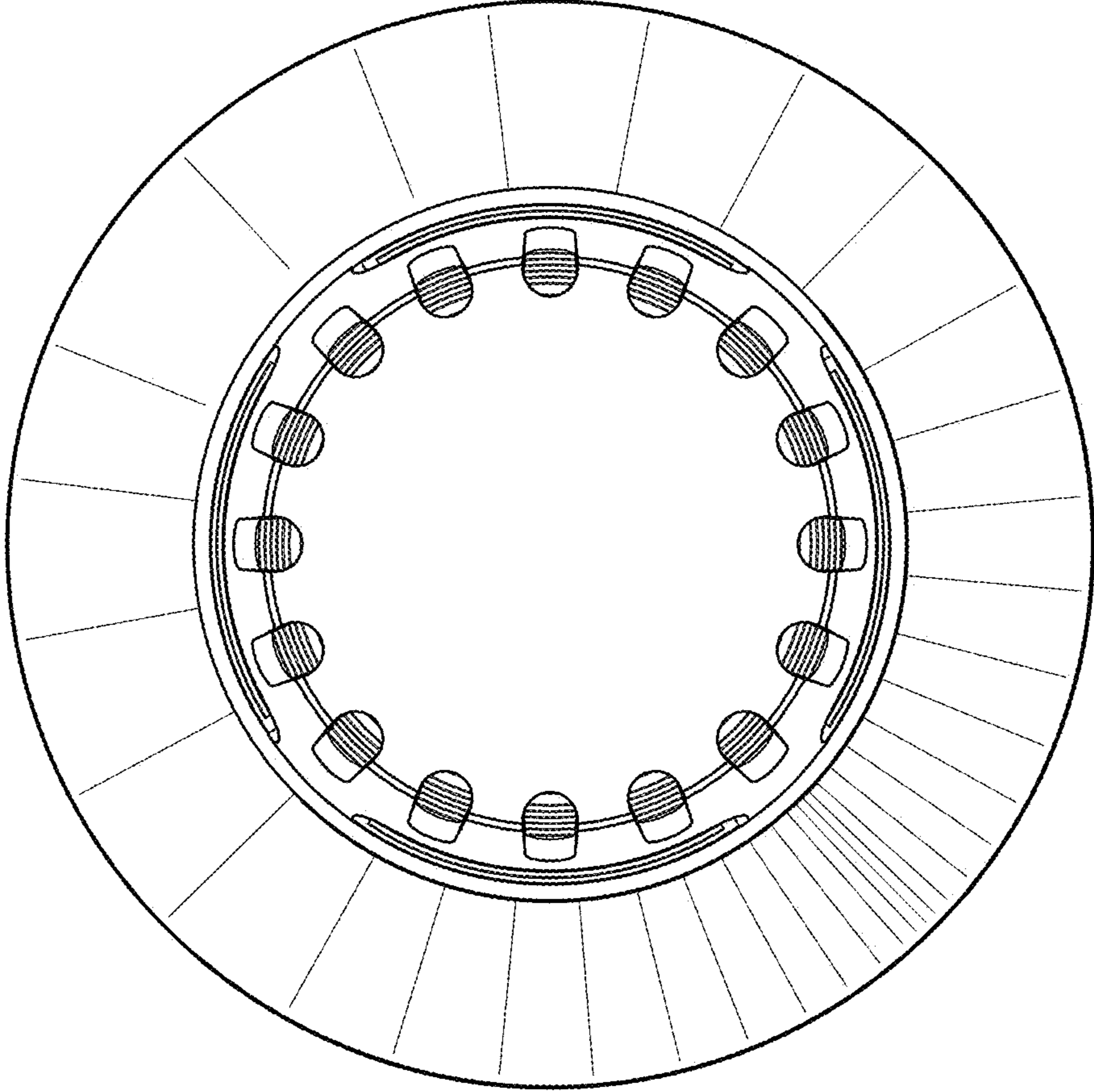




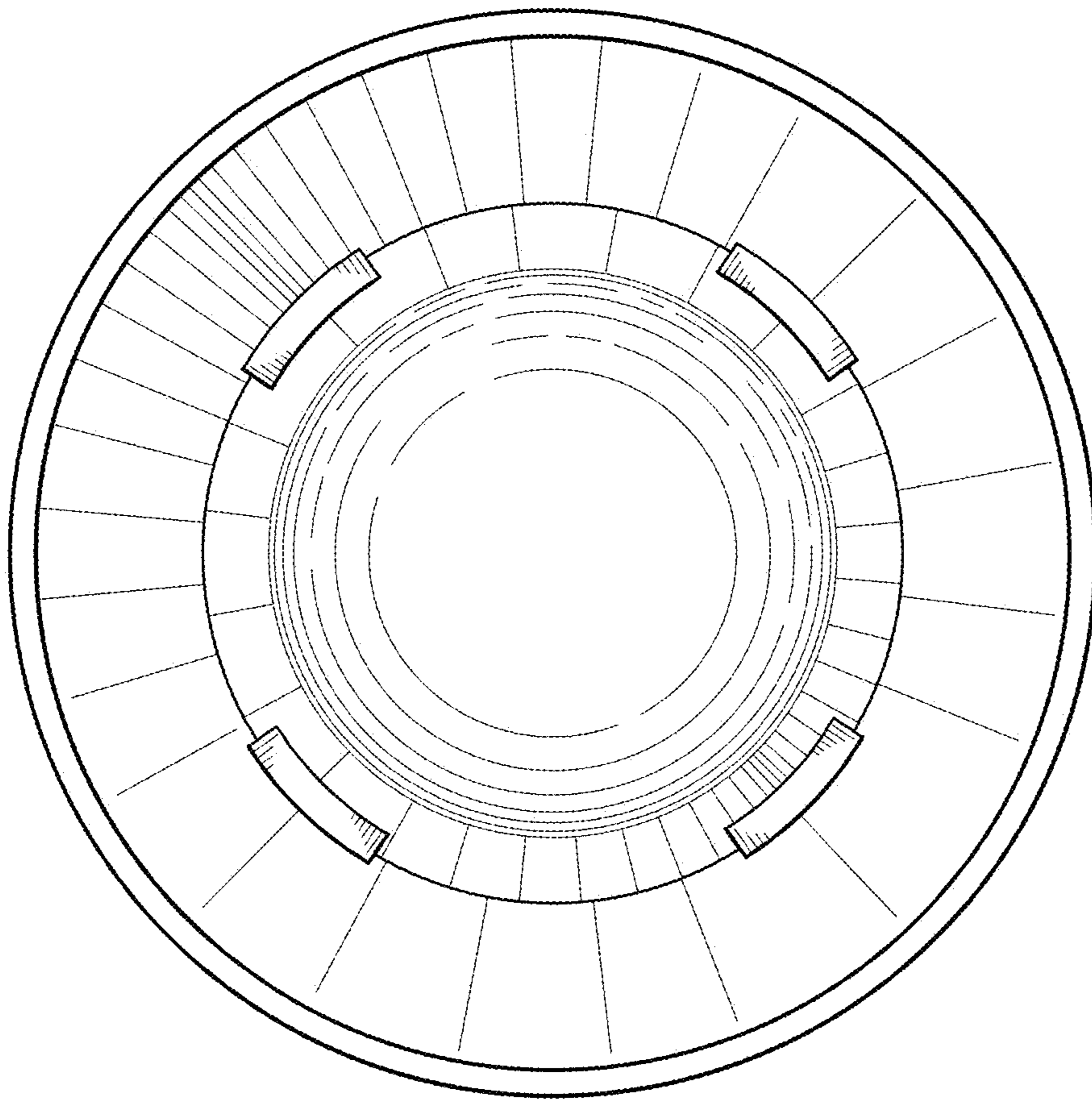
*Fig. 1.*



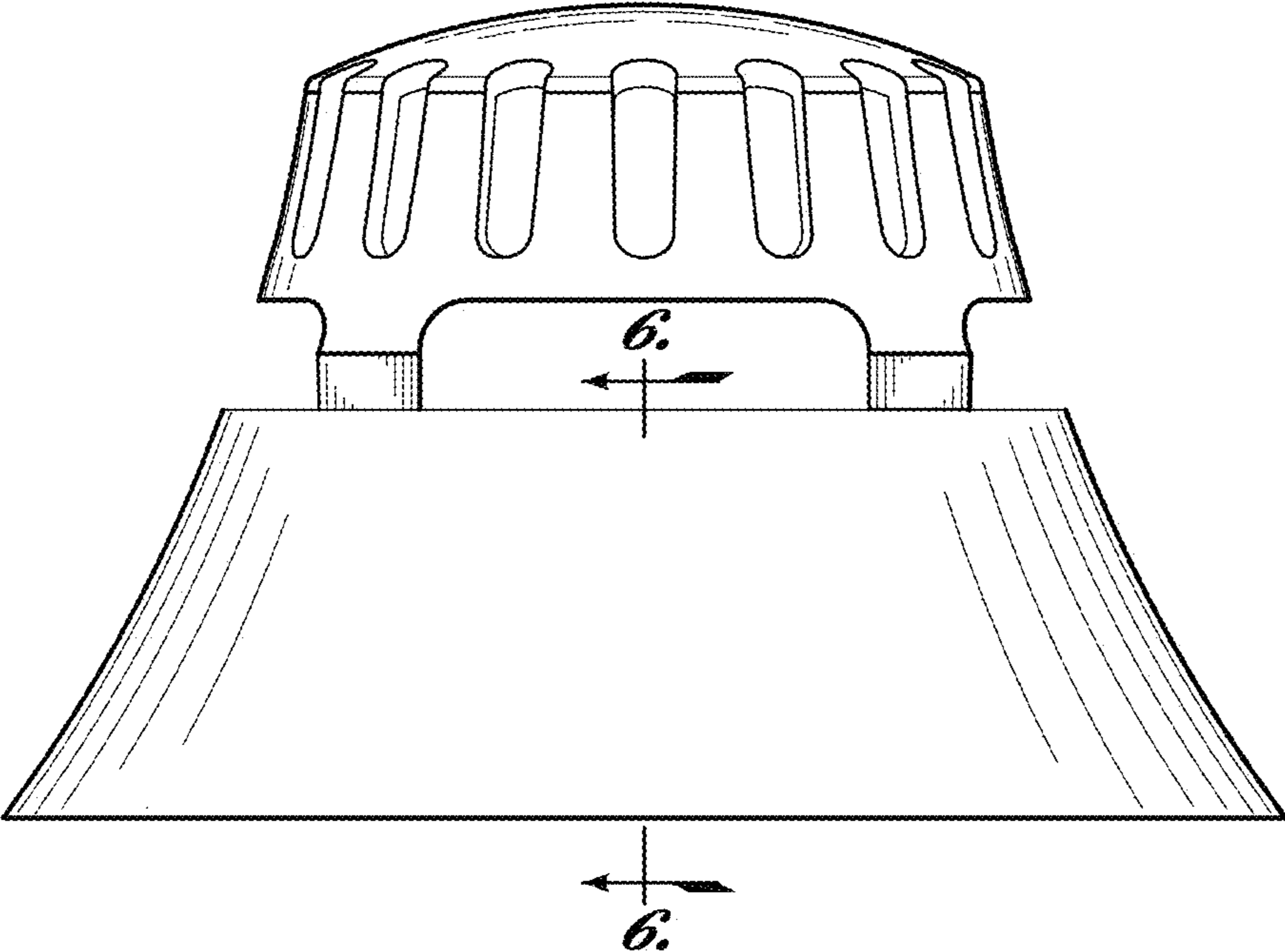
*Fig. 2.*



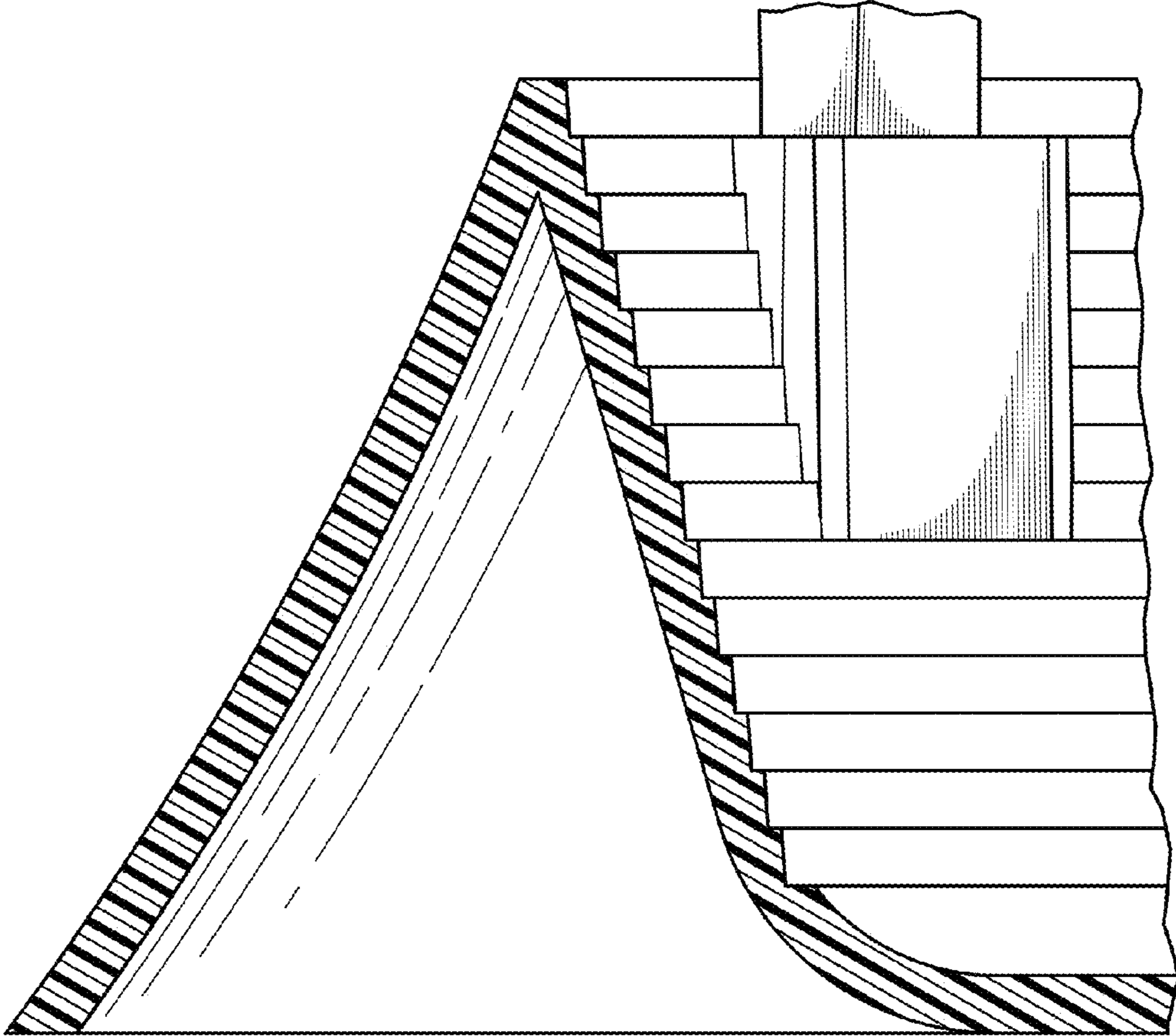
*Fig. 3.*



*Fig. 4.*



*Fig. 5.*



*Fig. 6.*