



US00D729339S

(12) **United States Design Patent**
Chavez et al.

(10) **Patent No.:** **US D729,339 S**
(45) **Date of Patent:** **** May 12, 2015**

- (54) **DUAL BEAM AIMING LASER**
- (71) Applicant: **Laser Devices, Inc.**, Monterey, CA (US)
- (72) Inventors: **Alejandro Chavez**, Salinas, CA (US);
Adam Nemeyer, Gilroy, CA (US)
- (73) Assignee: **Laser Devices, Inc.**, Monterey, CA (US)
- (**) Term: **14 Years**
- (21) Appl. No.: **29/470,446**
- (22) Filed: **Oct. 22, 2013**
- (51) **LOC (10) Cl.** **22-01**
- (52) **U.S. Cl.**
USPC **D22/109**
- (58) **Field of Classification Search**
CPC F41G 1/00; F41G 1/01; F41G 1/02;
F41G 1/06; F41G 1/065; F41G 1/08; F41G
1/10; F41G 1/12; F41G 1/14; F41G 1/30;
F41G 1/32; F41G 1/38; F41G 1/40; F41G
1/42; F41G 1/44; F41G 1/46; F41G 1/383;
F41G 1/387; F41G 1/393; F41G 3/00; F41G
3/005; F41G 3/02; F41G 3/04; F41G 3/06;
F41G 3/14; F41G 11/002; F41G 11/003;
F41G 11/004; F41G 11/005
USPC D22/108–109; 89/1.61, 200–204;
359/399, 823, 744; 42/111–128;
33/227, 229; 356/247–256
See application file for complete search history.

(56) **References Cited**
U.S. PATENT DOCUMENTS

5,933,224	A *	8/1999	Hines et al.	356/4.01
D586,874	S *	2/2009	Moody et al.	D22/109
D612,756	S *	3/2010	D'Amelio et al.	D10/70
7,726,061	B1 *	6/2010	Thummel	42/115
D641,826	S *	7/2011	Larsson et al.	D22/109
D682,977	S *	5/2013	Thummel et al.	D22/109
D696,377	S *	12/2013	Thummel	D22/109

* cited by examiner

Primary Examiner — Michael A Pratt
(74) *Attorney, Agent, or Firm* — K&L Gates LLP

(57) **CLAIM**

The ornamental design for a dual beam aiming laser, as shown and described herein.

DESCRIPTION

FIG. 1 illustrates a first top perspective view of a dual beam aiming laser of our new design; that portion shown in phantom is not part of the design sought to be patented and is provided for environmental purposes only.

FIG. 2 illustrates a second top perspective view of a dual beam aiming laser of our new design; that portion shown in phantom is not part of the design sought to be patented and is provided for environmental purposes only.

FIG. 3 illustrates a third top perspective view of a dual beam aiming laser of our new design; that portion shown in phantom is not part of the design sought to be patented and is provided for environmental purposes only.

FIG. 4 illustrates a fourth top perspective view of a dual beam aiming laser of our new design; that portion shown in phantom is not part of the design sought to be patented and is provided for environmental purposes only.

FIG. 5 illustrates a first side view of our design; that portion shown in phantom is not part of the design sought to be patented and is provided for environmental purposes only.

FIG. 6 illustrates a second side view of our design; that portion shown in phantom is not part of the design sought to be patented and is provided for environmental purposes only.

FIG. 7 illustrates a front end view of our design; that portion shown in phantom is not part of the design sought to be patented and is provided for environmental purposes only.

FIG. 8 illustrates a back end view of our design; that portion shown in phantom is not part of the design sought to be patented and is provided for environmental purposes only.

FIG. 9 illustrates a top view of our design; that portion shown in phantom is not part of the design sought to be patented and is provided for environmental purposes only; and,

FIG. 10 illustrates a bottom view of our design; that portion shown in phantom is not part of the design sought to be patented and is provided for environmental purposes only.

1 Claim, 10 Drawing Sheets

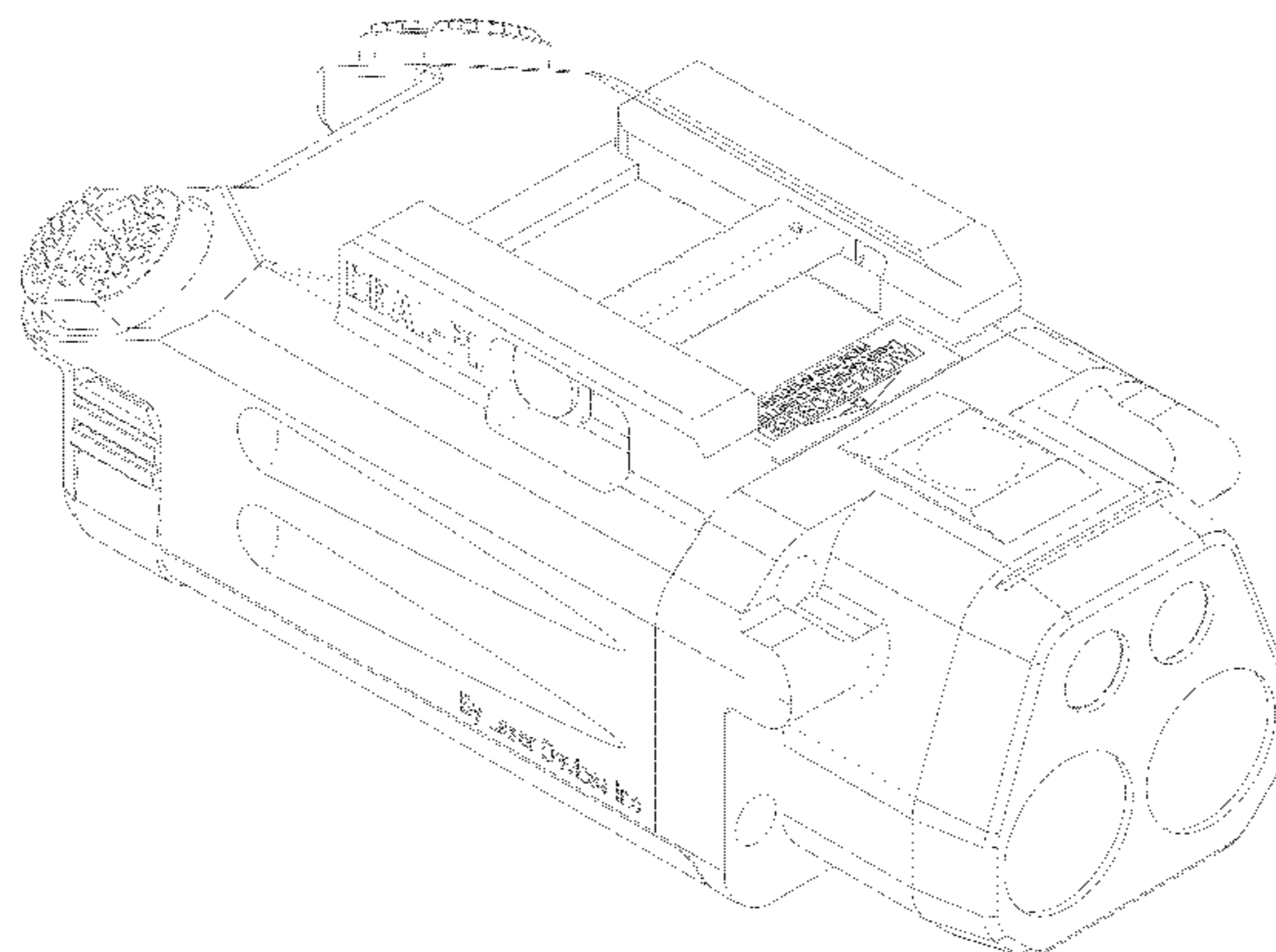
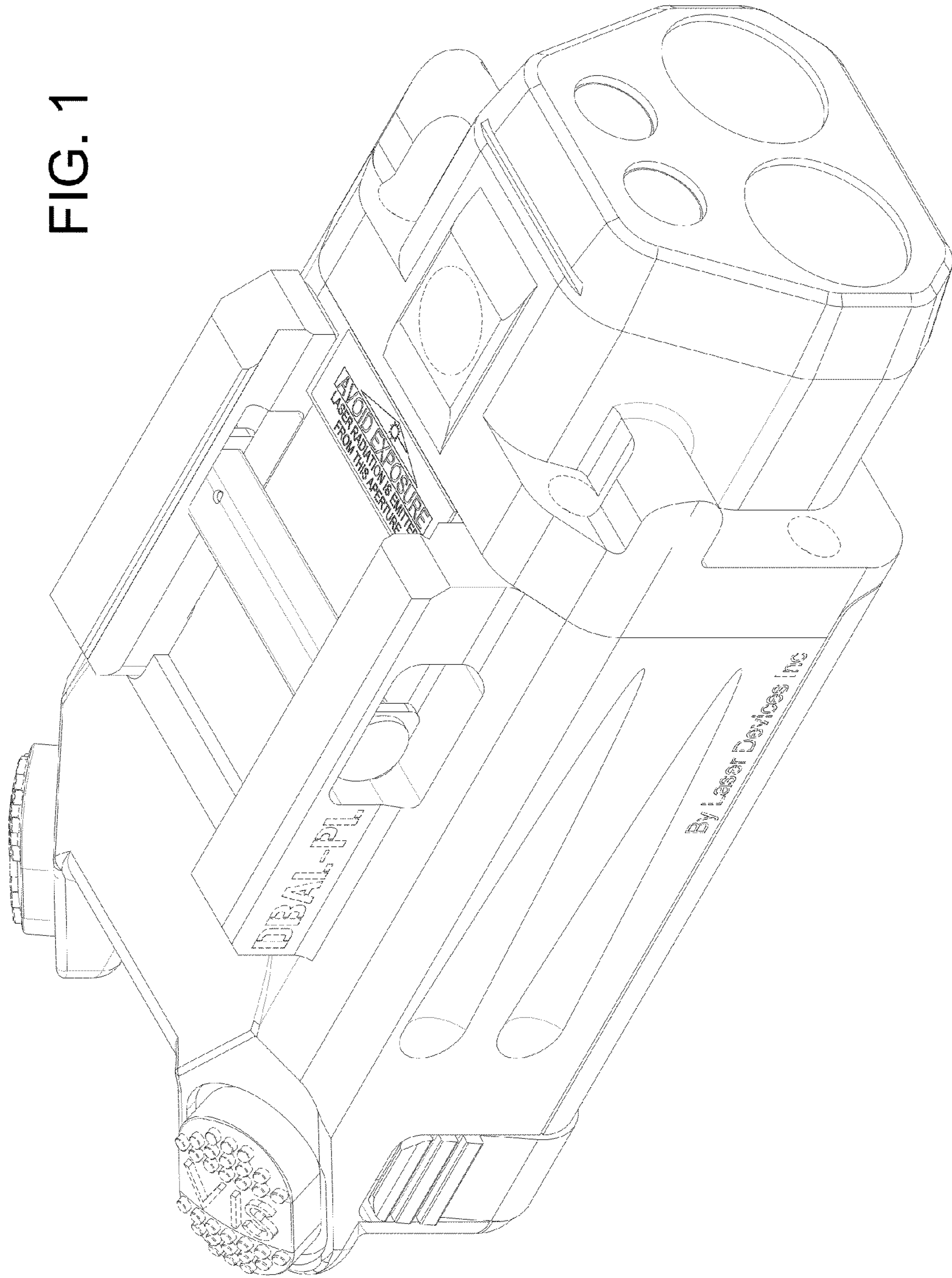


FIG. 1



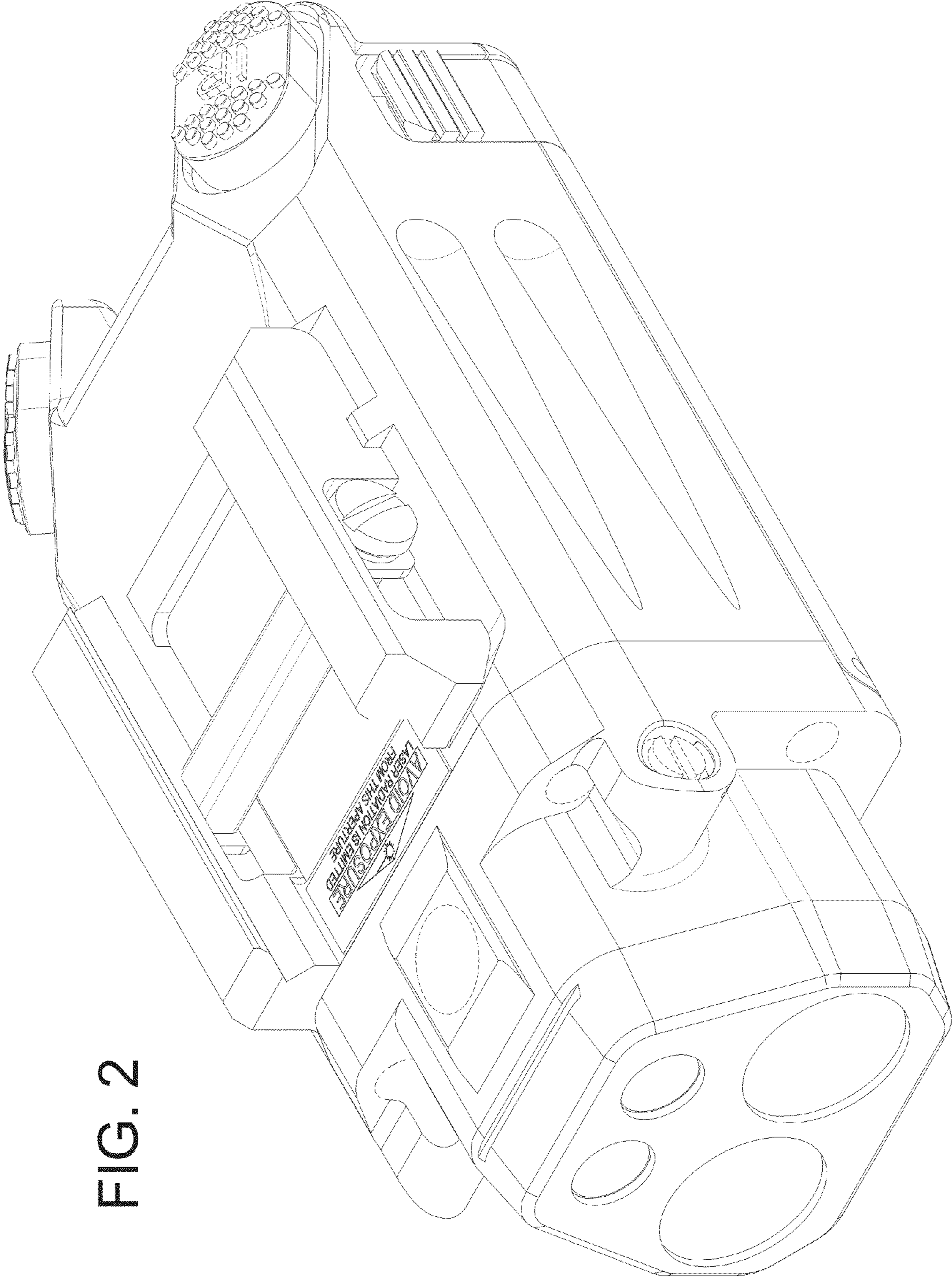


FIG. 2

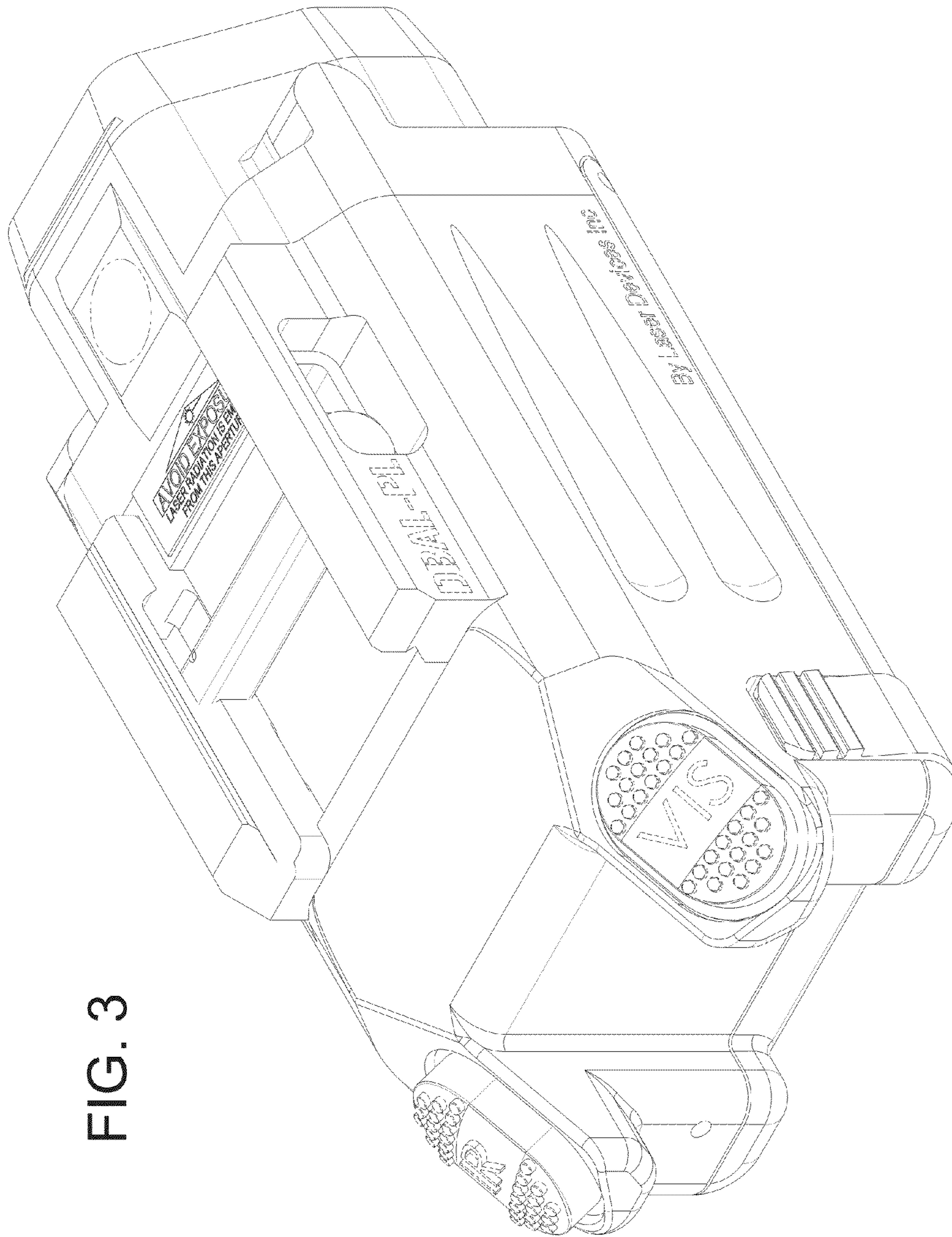


FIG. 3

FIG. 4

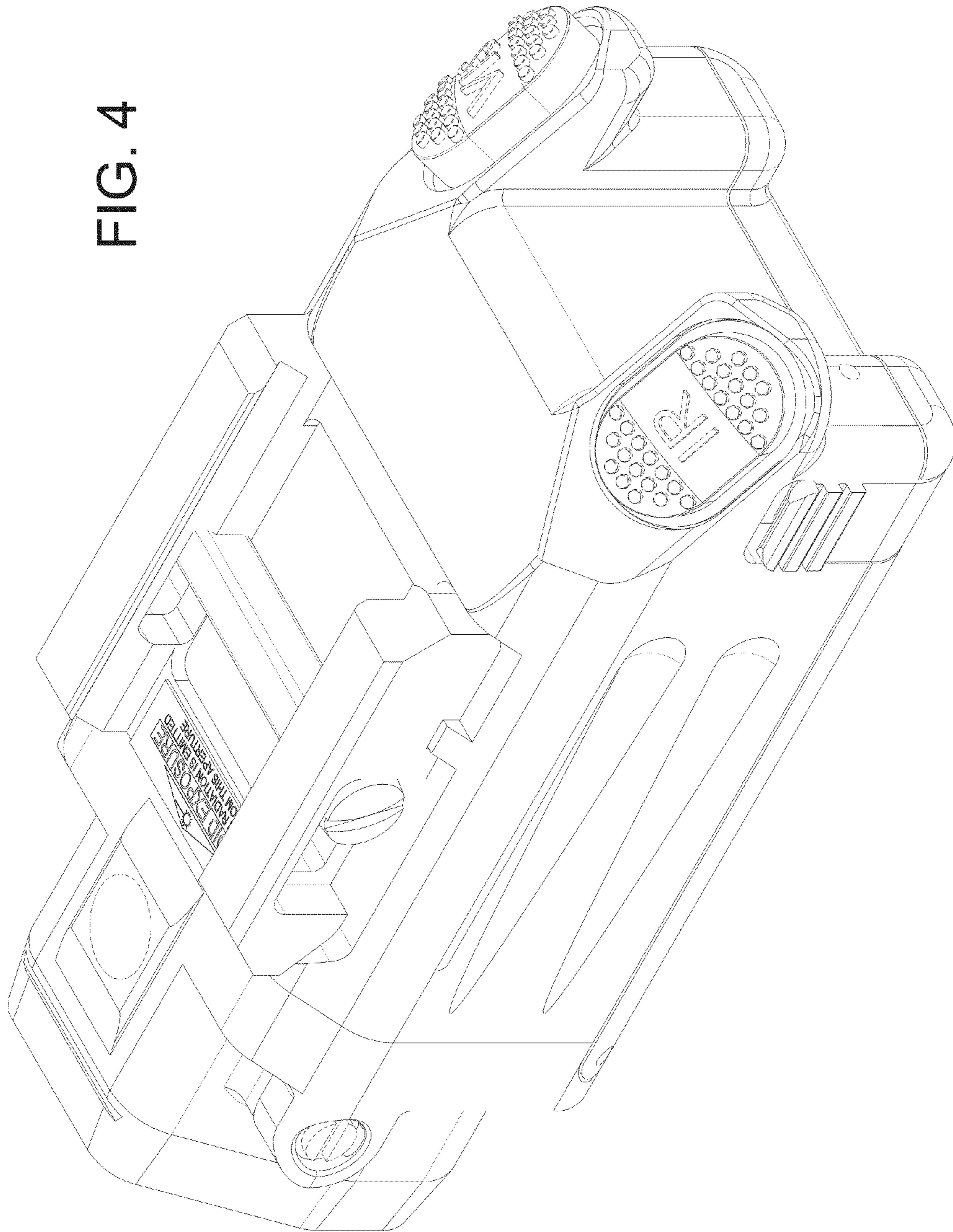


FIG. 5

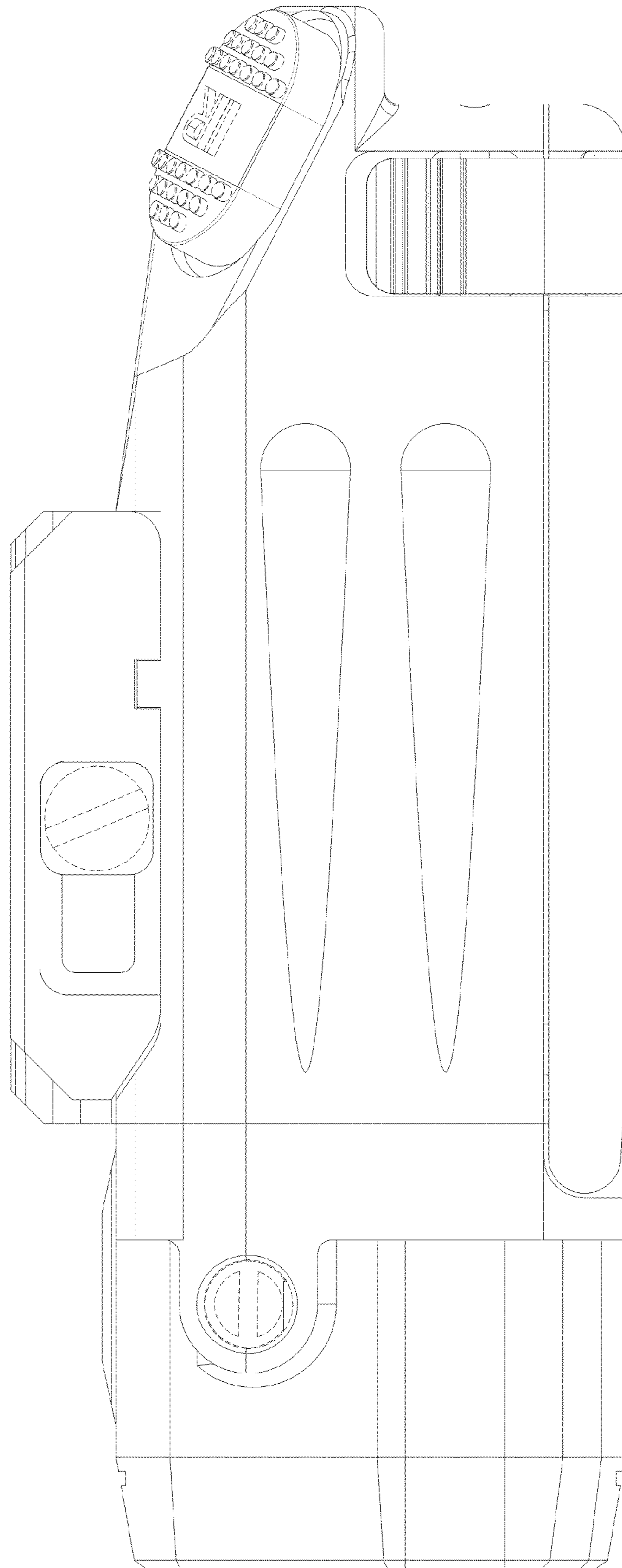


FIG. 6

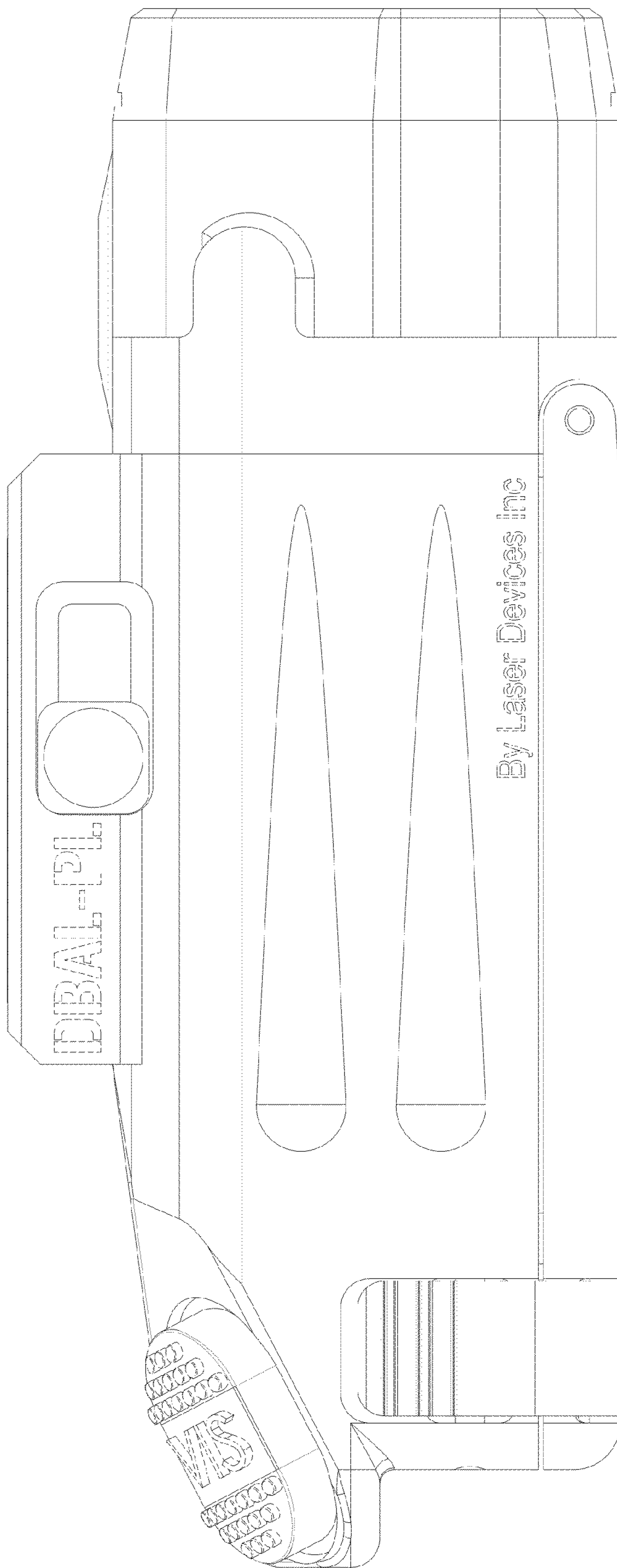


FIG. 7

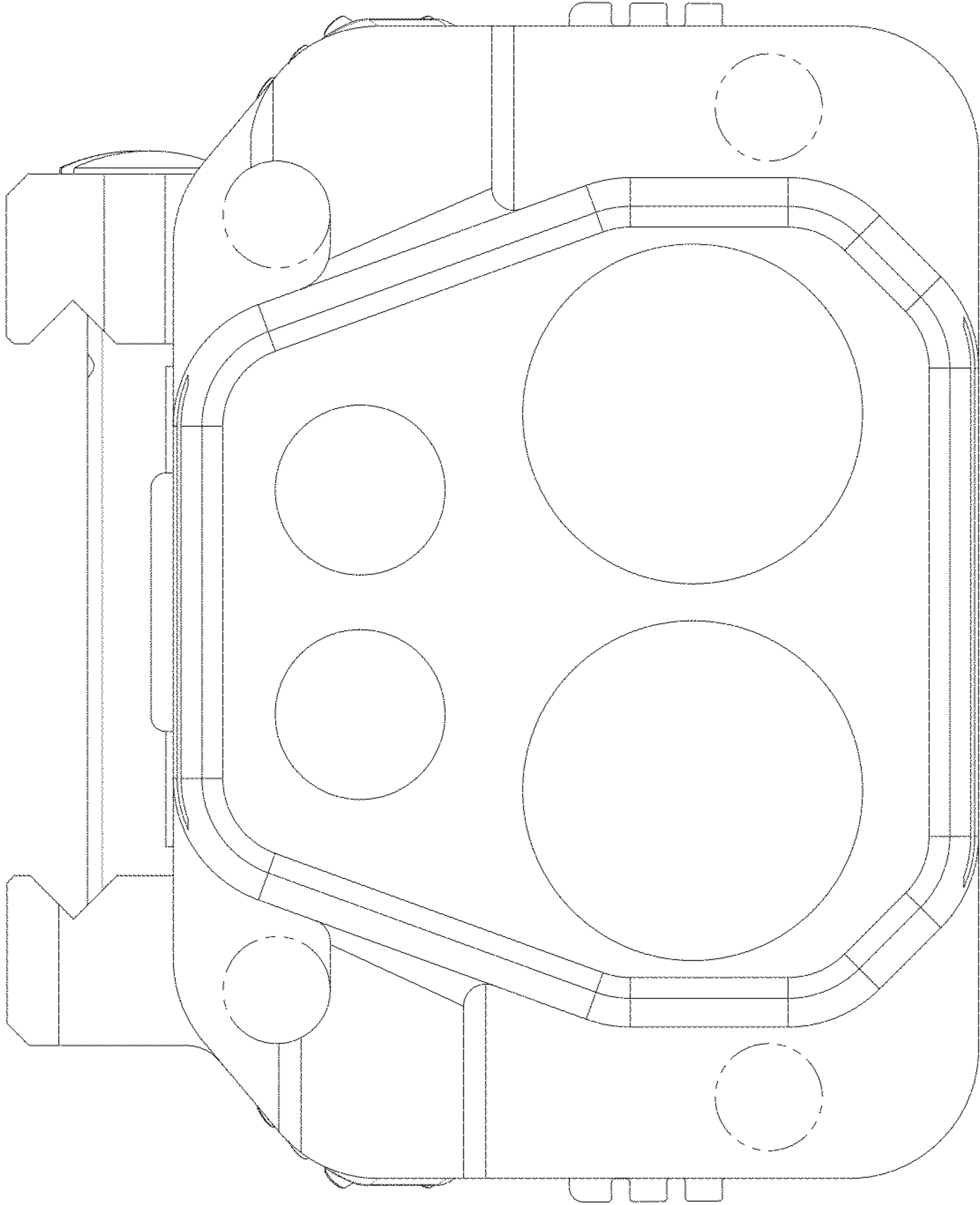


FIG. 8

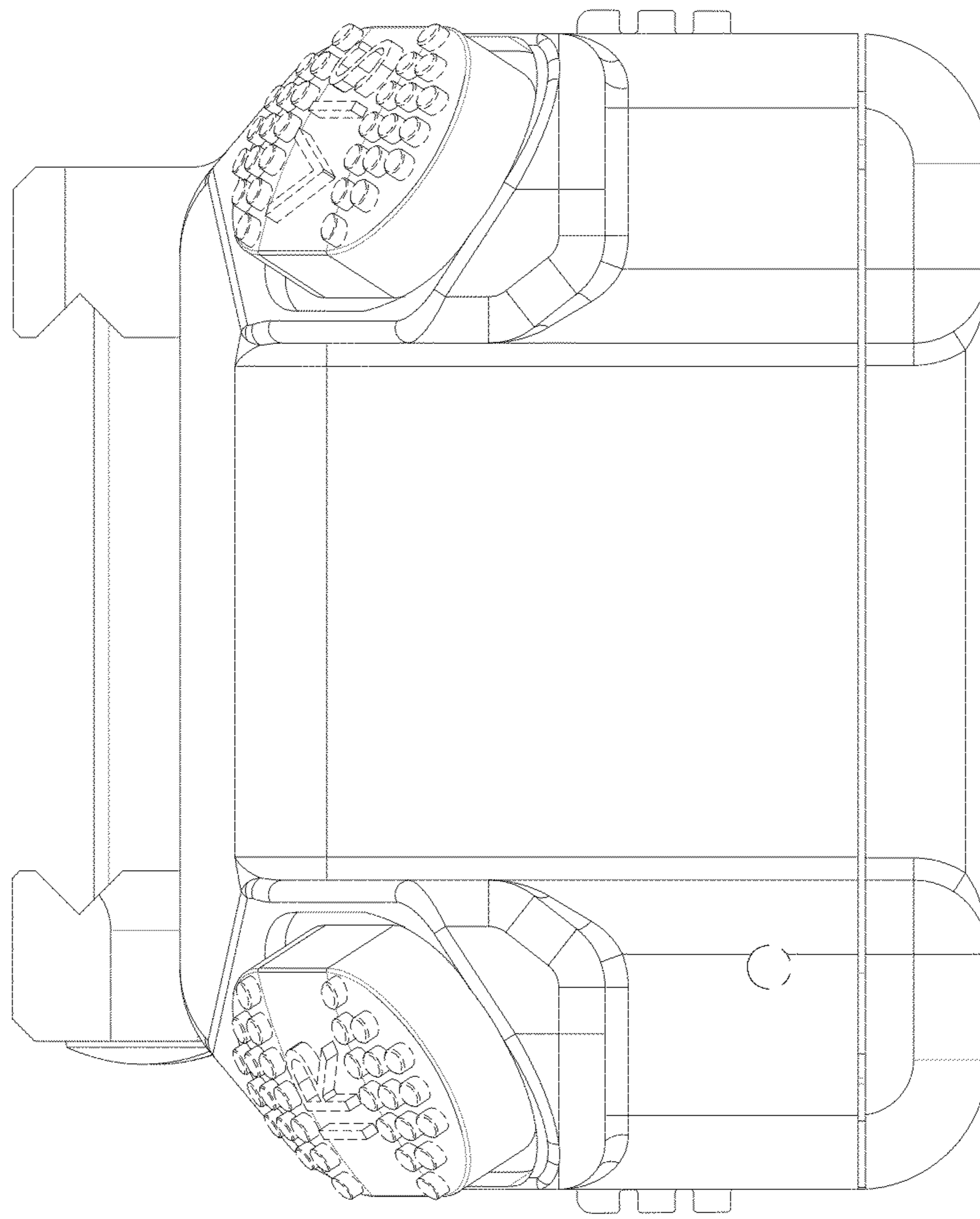


FIG. 9

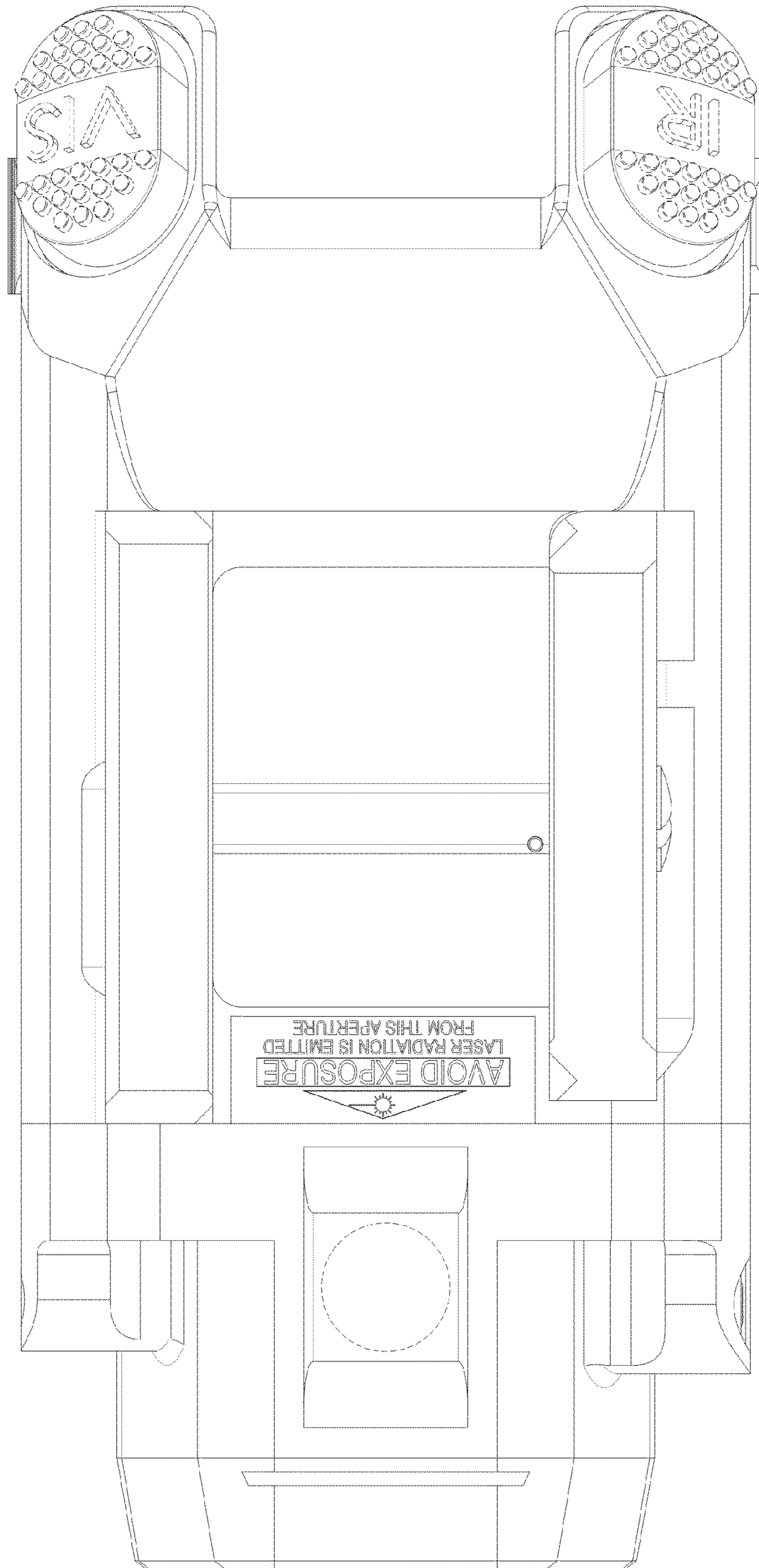


FIG. 10

