



US00D729338S

(12) **United States Design Patent**  
**Mayberry et al.**

(10) **Patent No.:** **US D729,338 S**

(45) **Date of Patent:** **\*\* May 12, 2015**

(54) **PLATE FOR ADAPTING A FIREARM QUICK DETACH FOR A SLING**

(71) Applicant: **Magpul Industries Corporation**, Erie, CO (US)

(72) Inventors: **Michael T. Mayberry**, Denver, CO (US); **Brad Bennett**, Lafayette, CO (US); **Yehezkel Eitan**, Fort Lupton, CO (US)

(73) Assignee: **Magpul Industries Corporation**, Louisville, CO (US)

(\*\*) Term: **14 Years**

(21) Appl. No.: **29/477,465**

(22) Filed: **Dec. 23, 2013**

(51) **LOC (10) Cl.** ..... **22-01**

(52) **U.S. Cl.**  
USPC ..... **D22/108**

(58) **Field of Classification Search**

CPC .. F41C 33/02; F41C 33/0209; F41C 33/0236;  
F41C 33/0245; F41C 33/0254; F41C 33/0263;  
F41C 33/0272; F41C 33/0281; F41C 33/06;  
F41C 23/02  
USPC ..... D3/214–215, 221, 262, 327–328;  
D22/108; D29/101.1, 101.2; 42/85, 94;  
224/150

See application file for complete search history.

(56) **References Cited**

**U.S. PATENT DOCUMENTS**

D667,914 S \* 9/2012 Storch ..... D22/108

**OTHER PUBLICATIONS**

Geissele Quick Detach Swivel Mount Geissele Quick Detach Swivel Mount; Website [Online] Available Web Site: <http://geissele.com/45-quick-detach-swivel-mount.html>; Last Update: Unknown; Accessed on: Dec. 30, 2013.

\* cited by examiner

*Primary Examiner* — Michael A Pratt

(74) *Attorney, Agent, or Firm* — Swanson & Bratschun, L.L.C.

(57) **CLAIM**

The ornamental design for a plate for adapting a firearm quick detach for a sling, as shown and described.

**DESCRIPTION**

FIG. 1 is a front, left perspective view of a plate for adapting a firearm quick detach for a sling of the present invention shown on a firearm;

FIG. 2 is a front, top, left perspective view of the plate for adapting a firearm quick detach for a sling of FIG. 1;

FIG. 3 is a front plan view of the plate for adapting a firearm quick detach for a sling of FIG. 1;

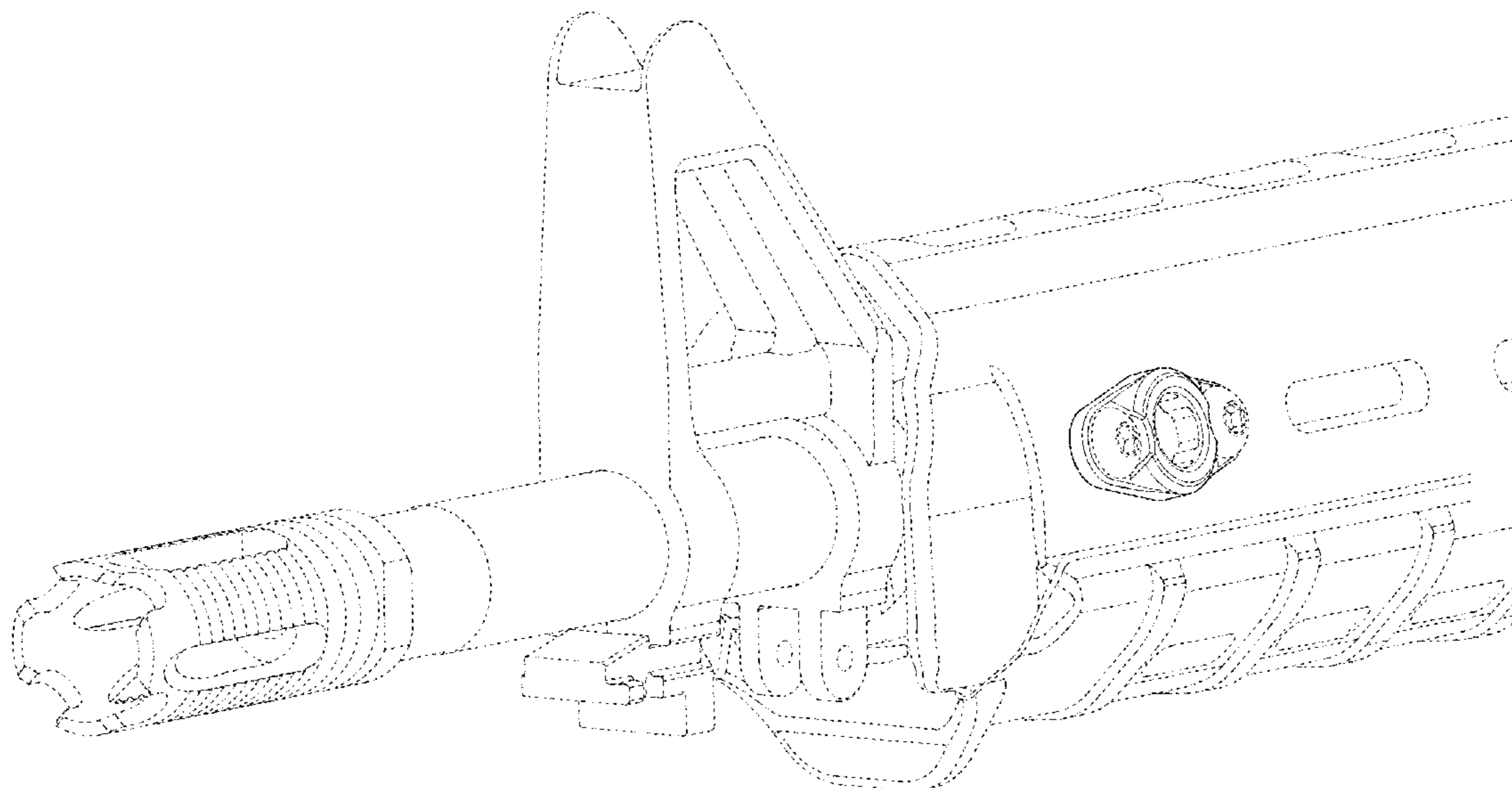
FIG. 4 is a back plan view of the plate for adapting a firearm quick detach for a sling of FIG. 1;

FIG. 5 is top plan view of the plate for adapting a firearm quick detach for a sling of FIG. 1, the bottom plan view being a mirror image thereof; and,

FIG. 6 is a right side elevation view of the plate for adapting a firearm quick detach for a sling of FIG. 1, the left side being a mirror image thereof.

The broken lines showing portions of the design in all figures are included for the purpose of illustrating environment and unclaimed features and forms not part of the claimed design.

**1 Claim, 3 Drawing Sheets**



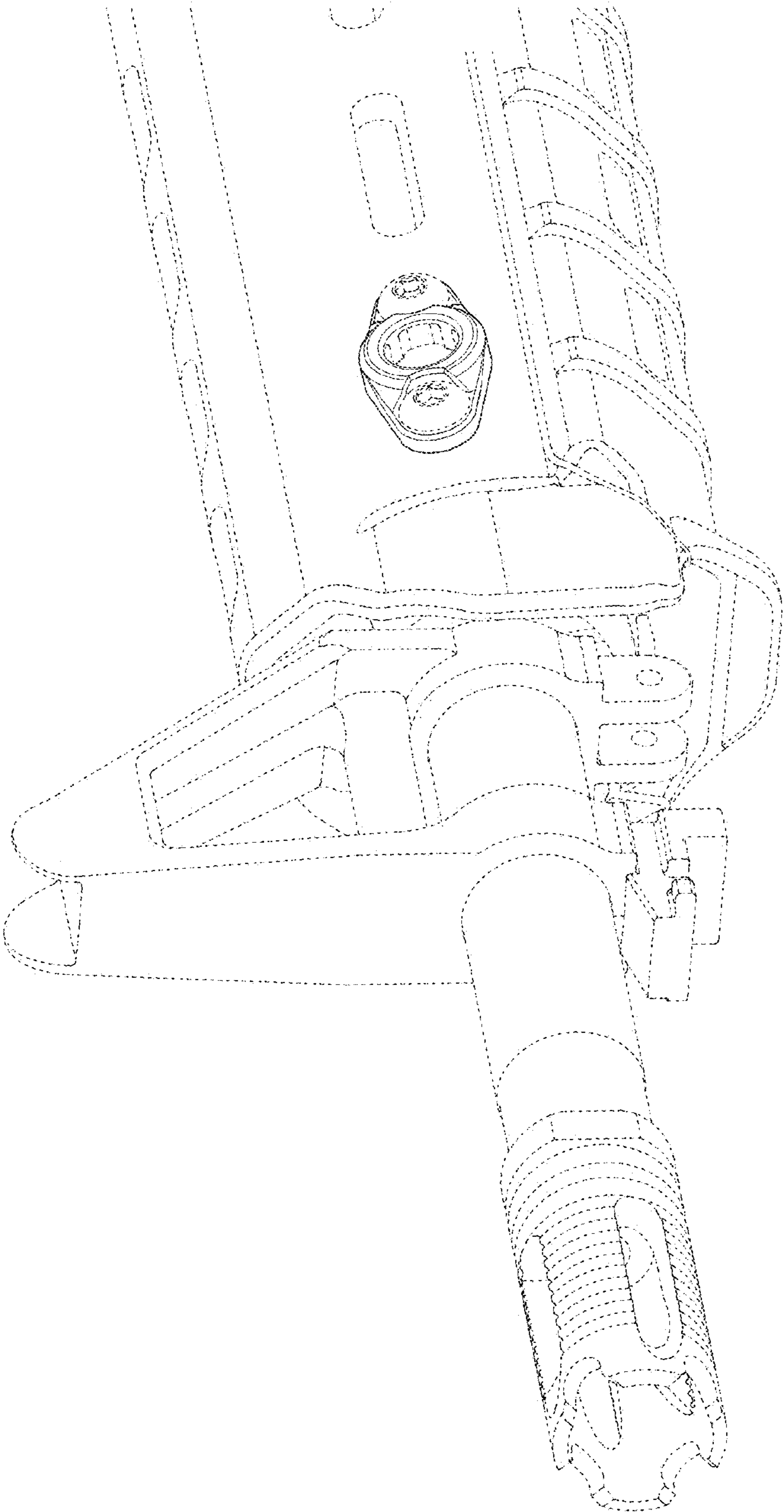
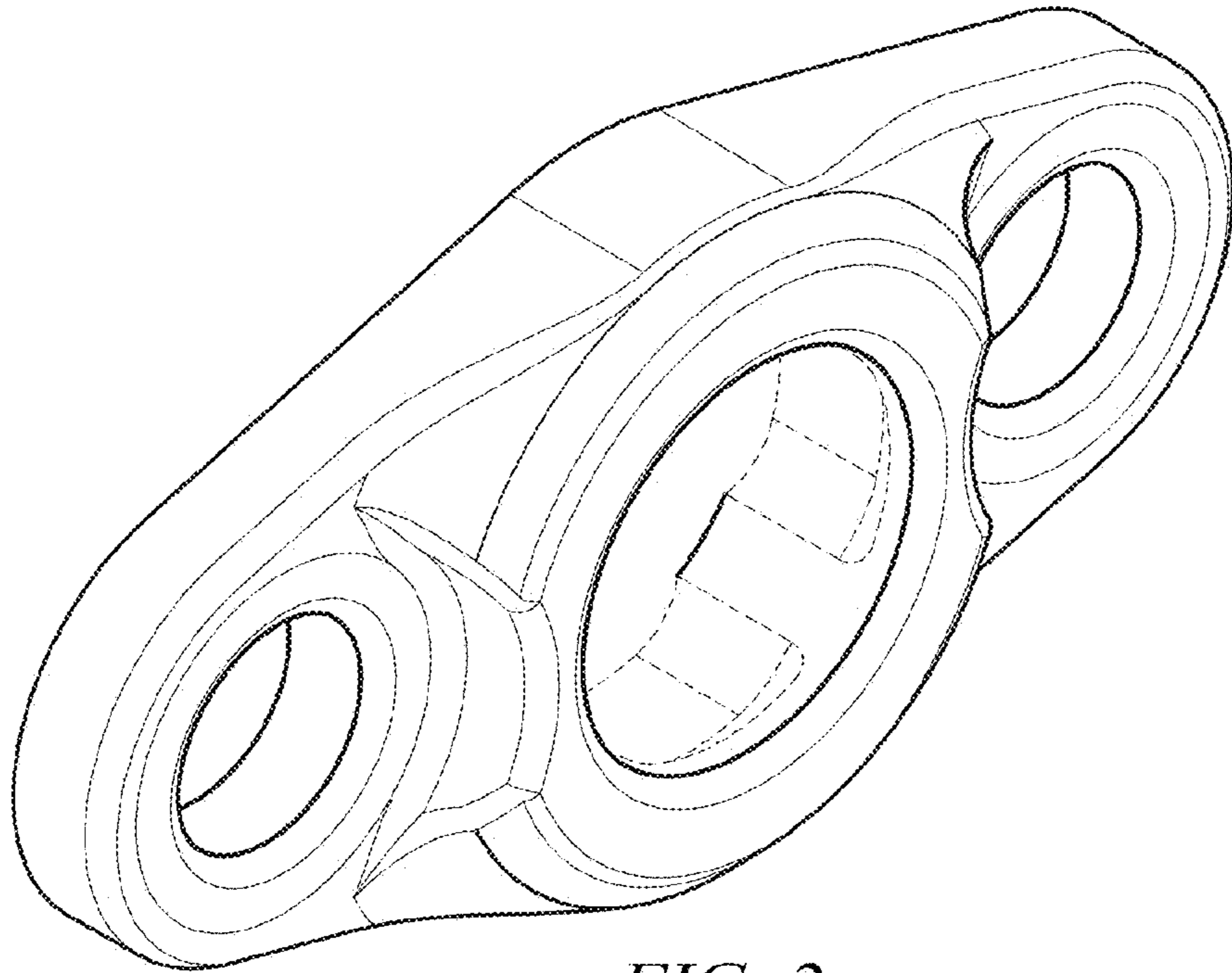
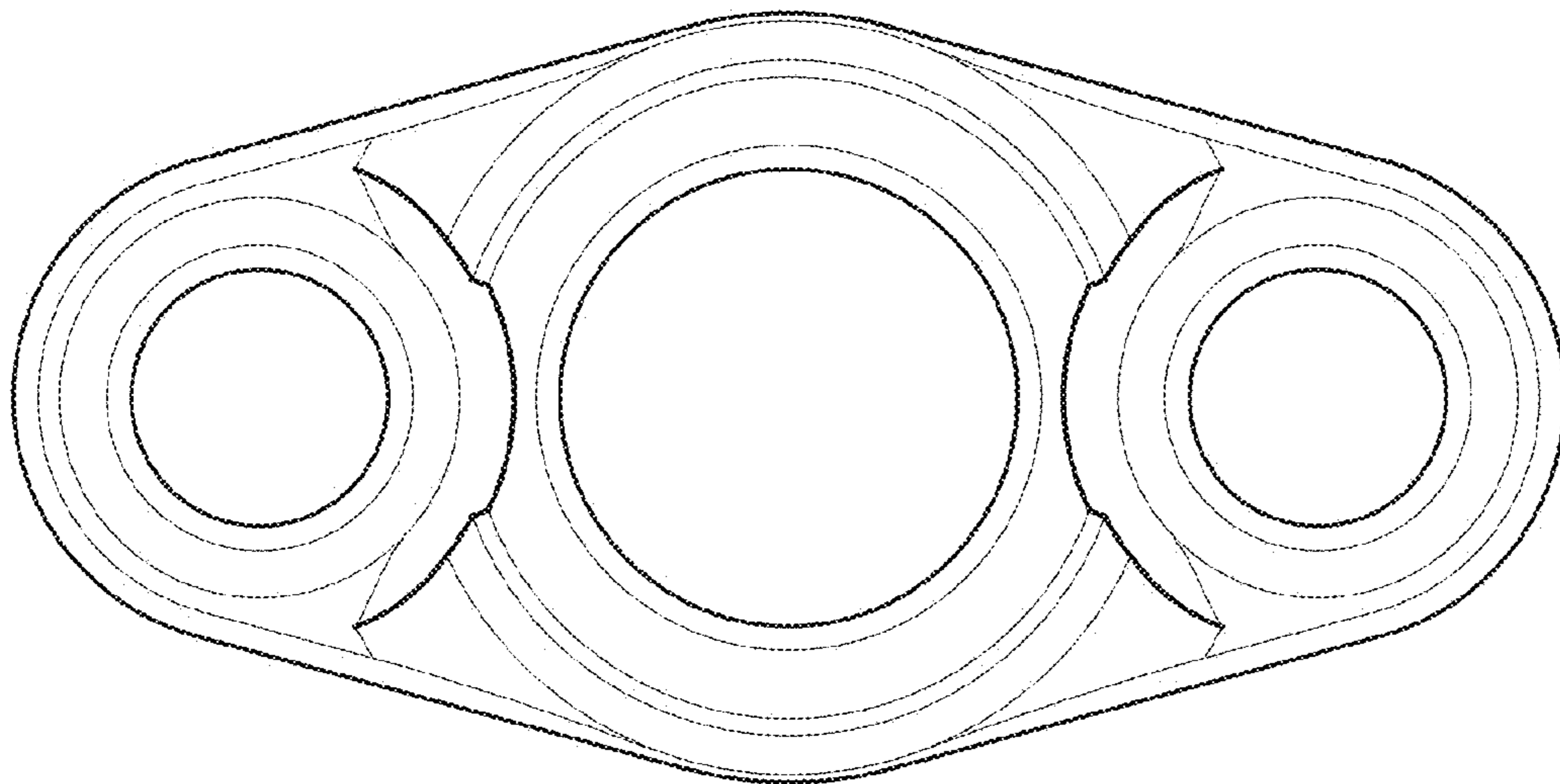


FIG. 1



*FIG. 2*



*FIG. 3*

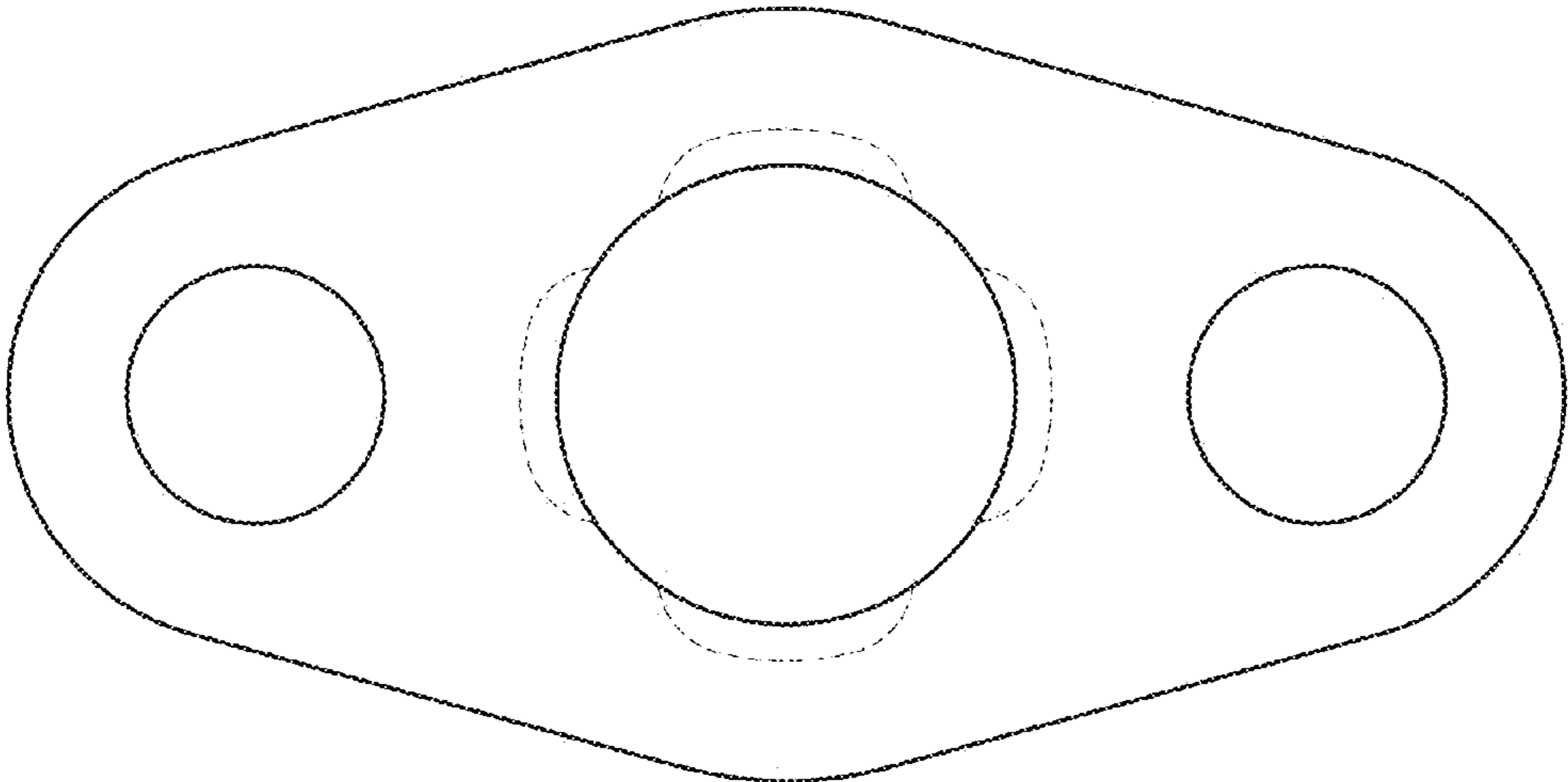


FIG. 4

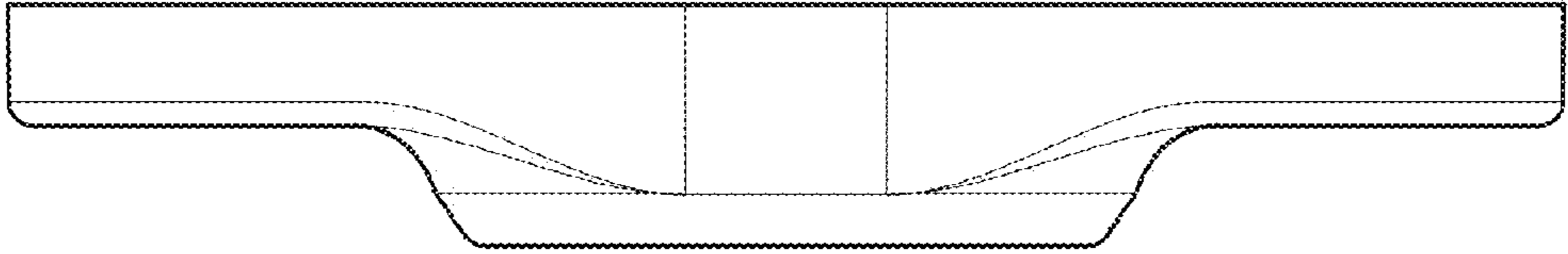


FIG. 5

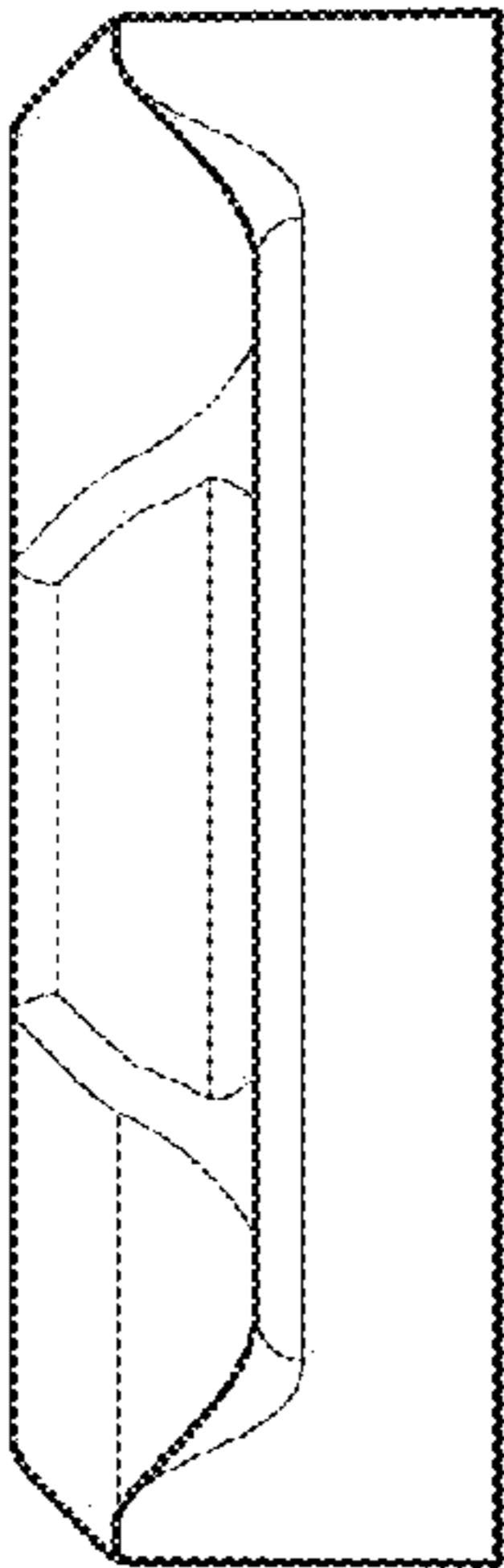


FIG. 6