



US00D729337S

(12) **United States Design Patent**  
**Boone**

(10) **Patent No.:** **US D729,337 S**

(45) **Date of Patent:** **\*\* May 12, 2015**

(54) **RAIL COVER FOR A TACTICAL RAIL OF A FIREARM**

(71) Applicant: **Caleb Boone**, Kerrville, TX (US)

(72) Inventor: **Caleb Boone**, Kerrville, TX (US)

(\*\*) Term: **14 Years**

(21) Appl. No.: **29/476,169**

(22) Filed: **Dec. 12, 2013**

(51) **LOC (10) Cl.** ..... **22-01**

(52) **U.S. Cl.**  
USPC ..... **D22/108**

(58) **Field of Classification Search**  
CPC ..... F41G 11/003  
USPC ..... D22/100, 108, 109, 110, 199; 42/11,  
42/113, 116, 119, 124, 125, 127, 90, 145,  
42/128, 72, 106, 114, 85, 75.02, 71.01;  
248/205.1, 201  
See application file for complete search history.

(56) **References Cited**

**U.S. PATENT DOCUMENTS**

|           |      |         |                    |       |         |
|-----------|------|---------|--------------------|-------|---------|
| 6,725,594 | B2 * | 4/2004  | Hines              | ..... | 42/90   |
| D625,378  | S *  | 10/2010 | Fitzpatrick et al. | ..... | D22/108 |
| 7,845,105 | B1 * | 12/2010 | Cahill             | ..... | 42/72   |
| 7,971,383 | B2 * | 7/2011  | Fitzpatrick et al. | ..... | 42/96   |
| D652,470  | S *  | 1/2012  | Trusty             | ..... | D22/108 |

|              |      |        |                    |       |         |
|--------------|------|--------|--------------------|-------|---------|
| D652,887     | S *  | 1/2012 | Trusty             | ..... | D22/108 |
| D655,776     | S *  | 3/2012 | Trusty             | ..... | D22/108 |
| D667,917     | S *  | 9/2012 | Fitzpatrick et al. | ..... | D22/108 |
| D676,920     | S *  | 2/2013 | Fitzpatrick et al. | ..... | D22/108 |
| 2010/0236124 | A1 * | 9/2010 | Troy               | ..... | 42/90   |
| 2012/0085013 | A1 * | 4/2012 | Cahill             | ..... | 42/96   |

\* cited by examiner

*Primary Examiner* — Michael A Pratt

(74) *Attorney, Agent, or Firm* — Robert L. McRae; Gunn, Lee & Cave, P.C.

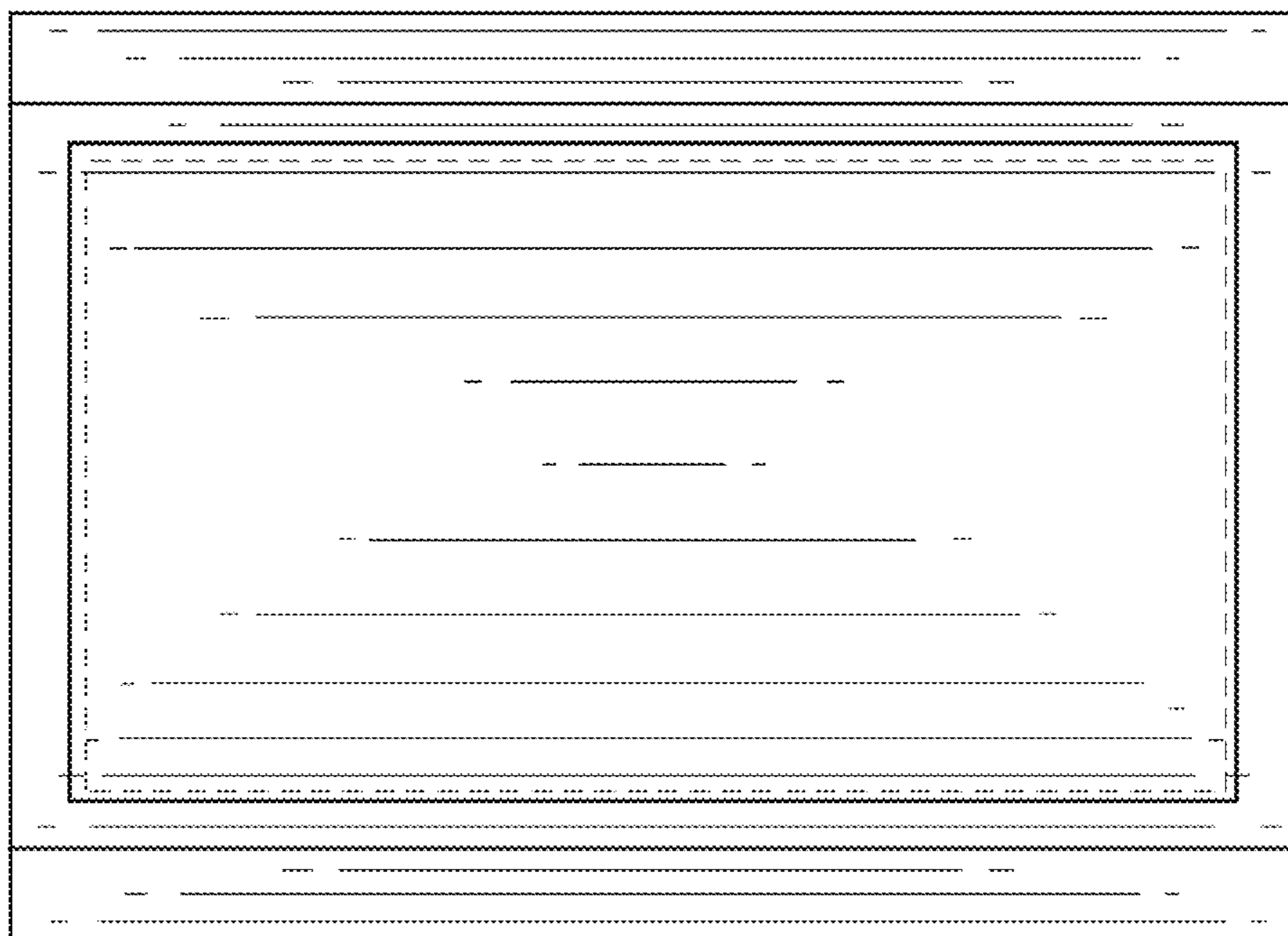
(57) **CLAIM**

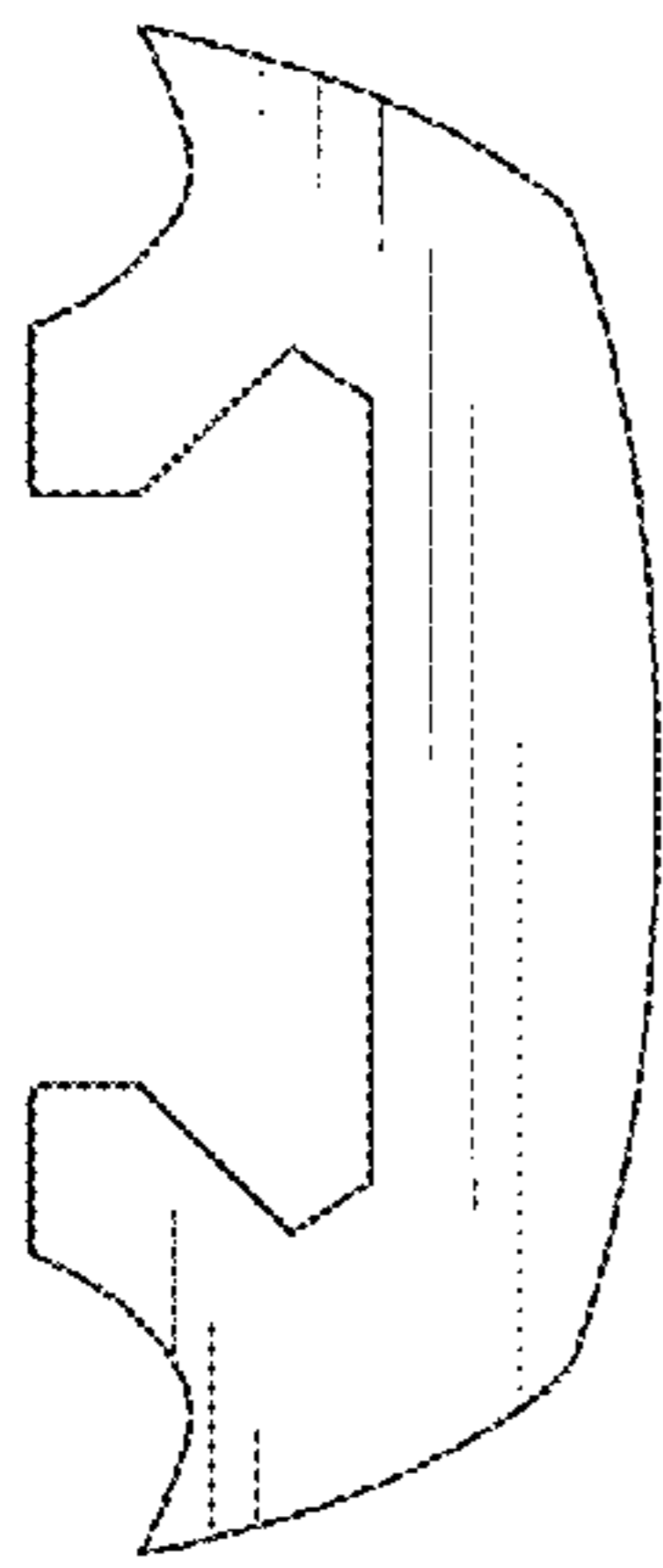
An ornamental design for a rail cover for a tactical rail of a firearm, as shown and described.

**DESCRIPTION**

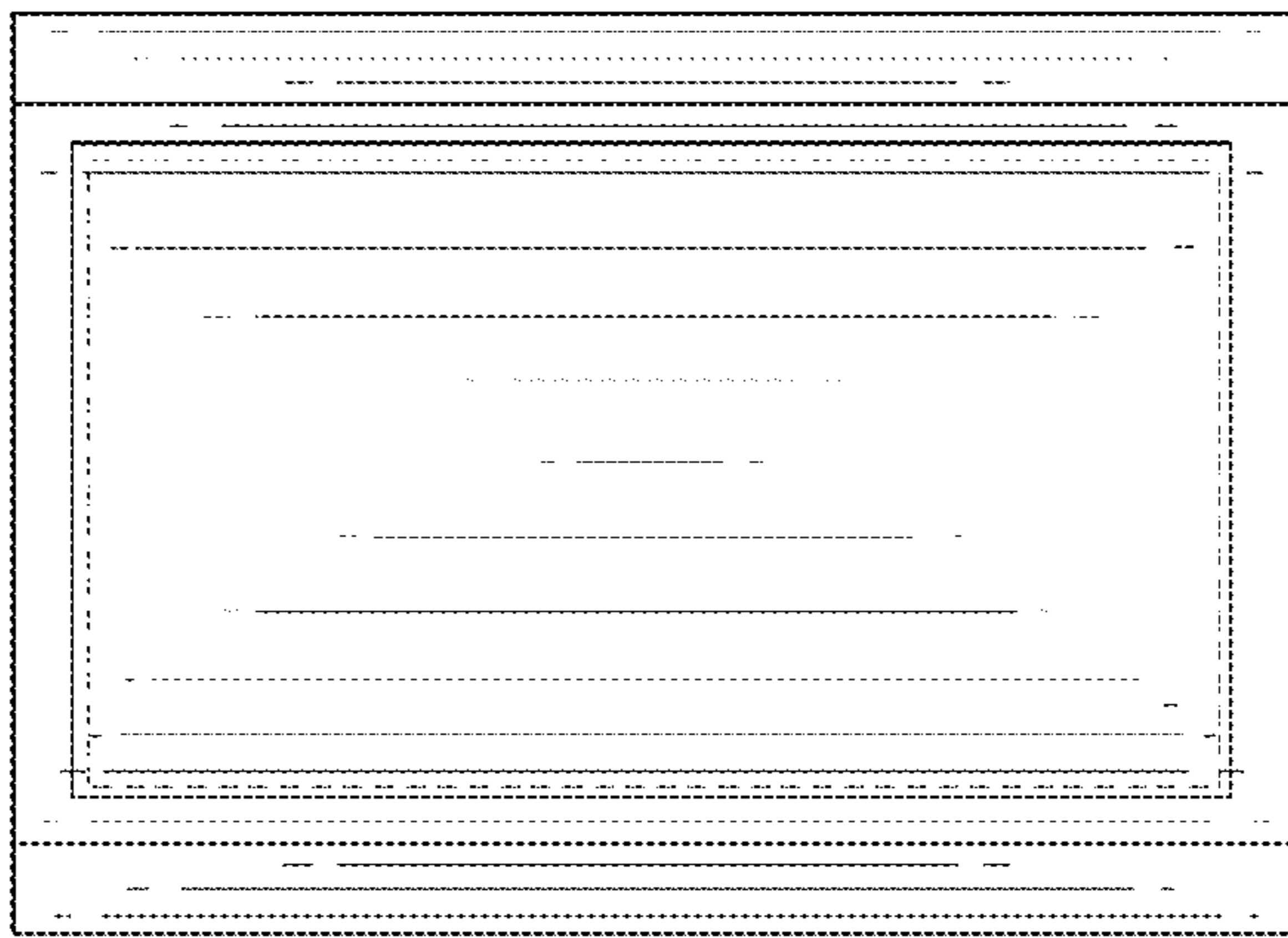
FIG. 1 is a top view of the rail cover for a tactical rail of a firearm showing my new design;  
FIG. 2 is an end view thereof;  
FIG. 3 is an end view thereof;  
FIG. 4 is a bottom view thereof;  
FIG. 5 is a side view thereof;  
FIG. 6 is a perspective view thereof;  
FIG. 7 is a side perspective view thereof; and,  
FIG. 8 is an exploded view thereof.  
The broken lines in FIG. 1, FIG. 5, FIG. 6, FIG. 7 and FIG. 8 are for the purposes of illustration and form no part of the claimed invention.

**1 Claim, 5 Drawing Sheets**

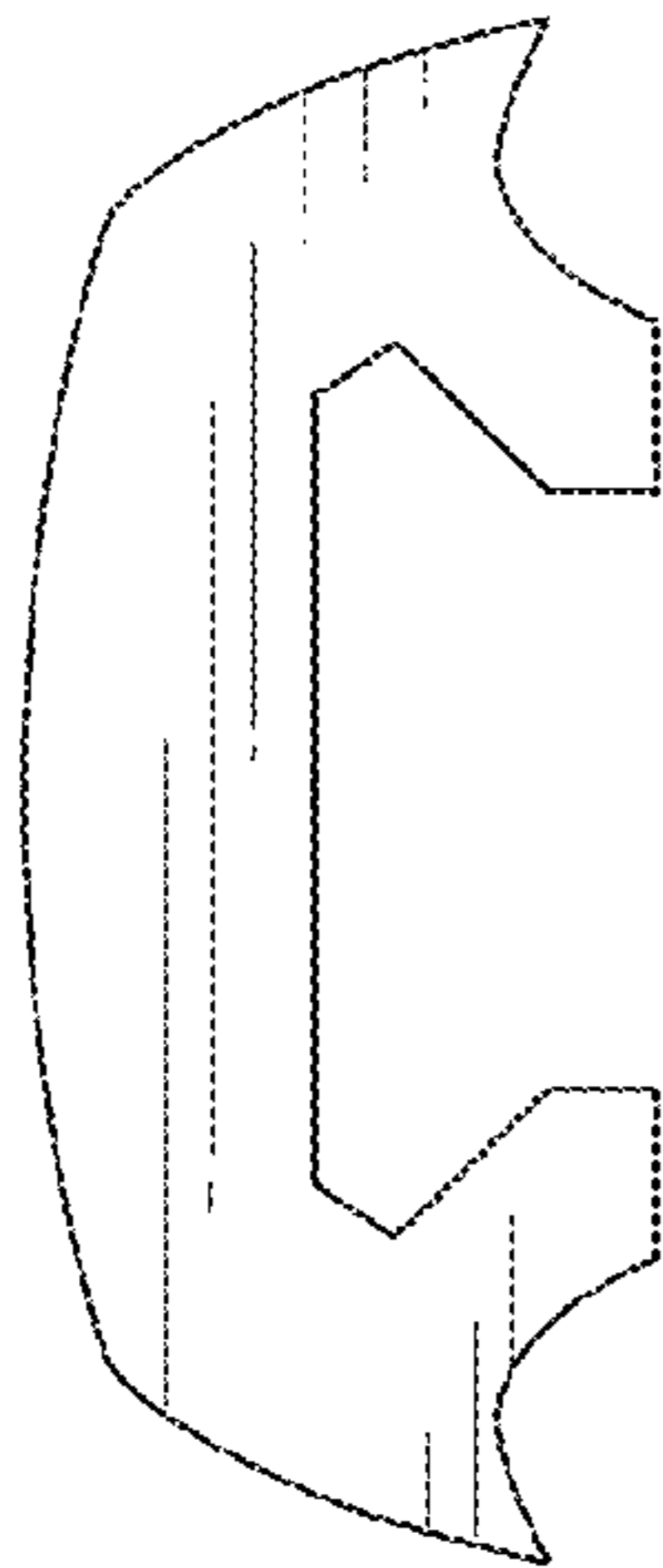




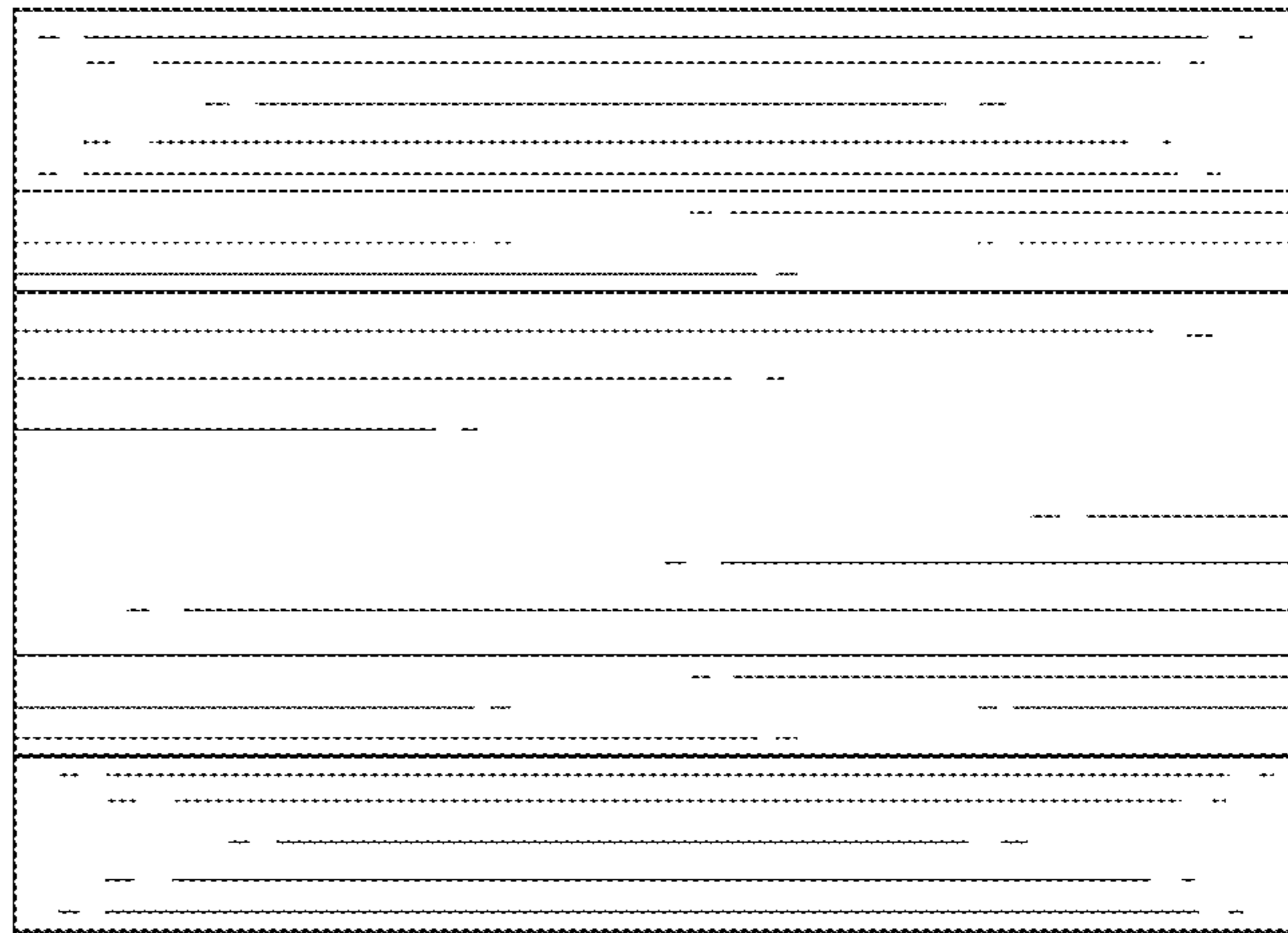
*Fig. 2*



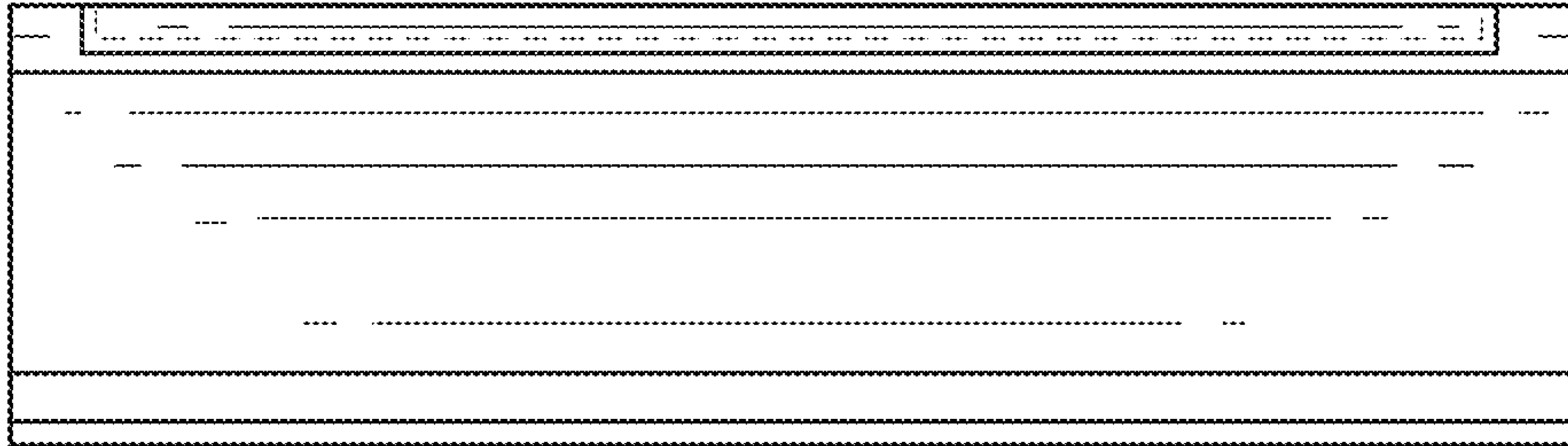
*Fig. 1*



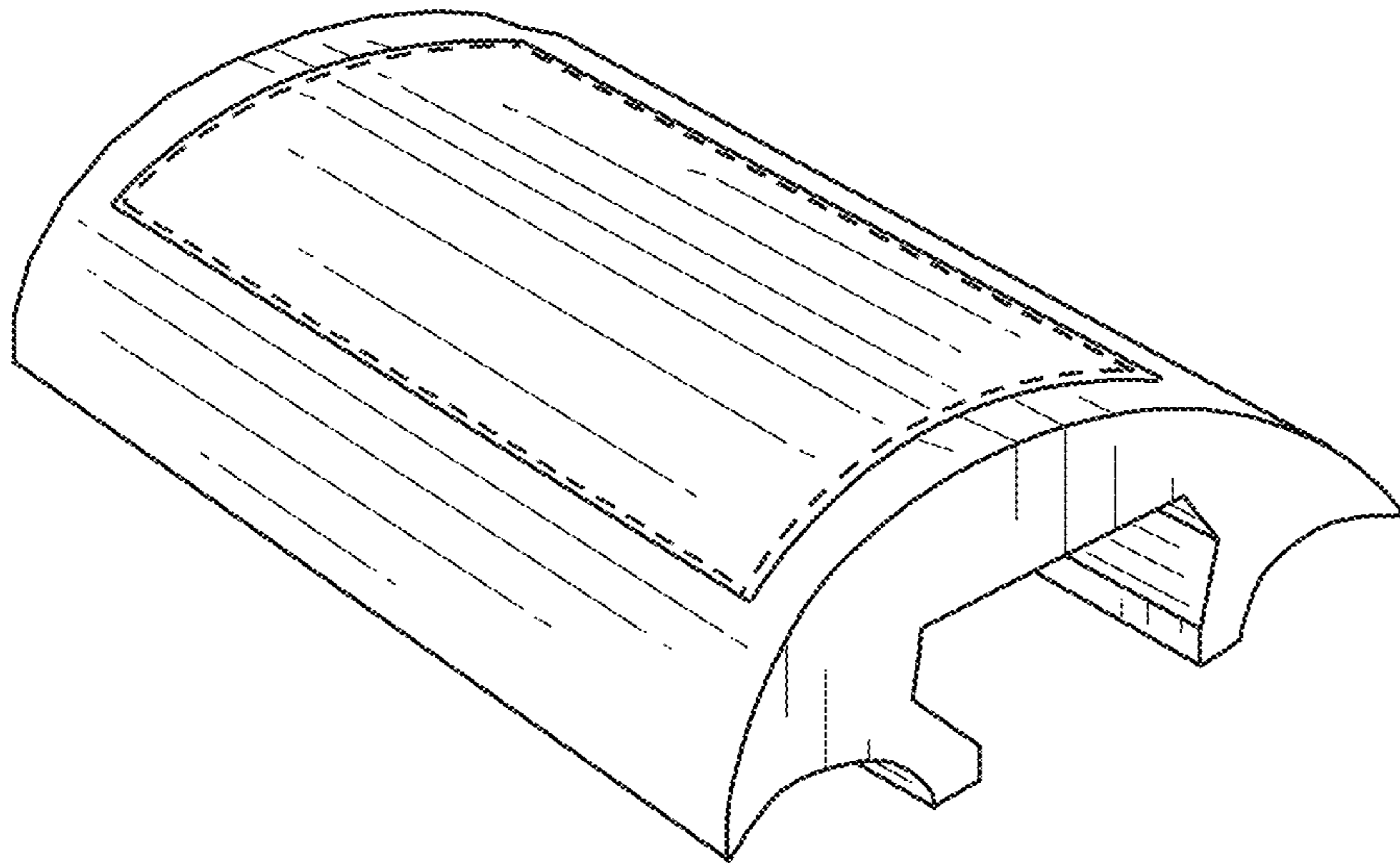
*Fig. 3*



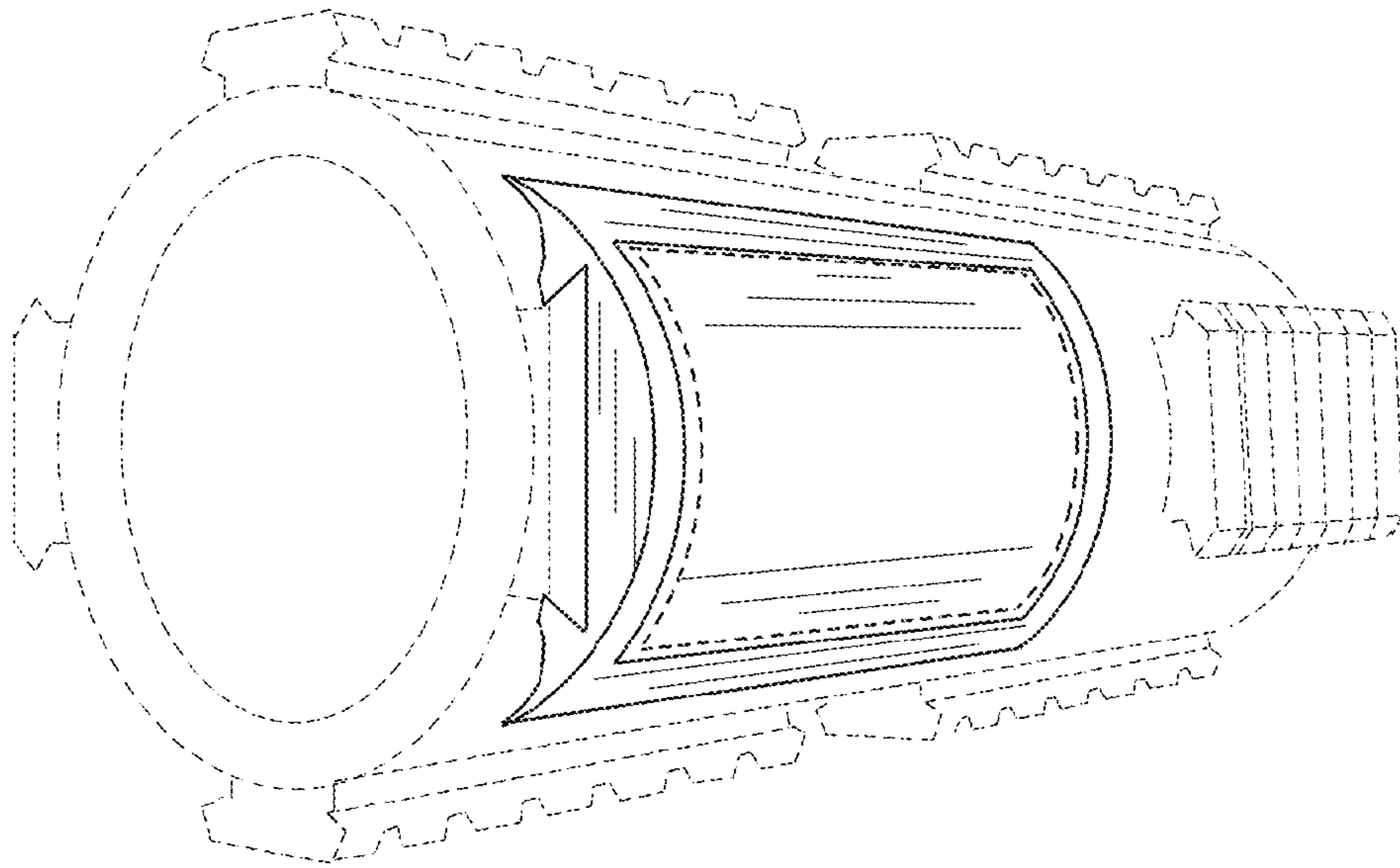
*Fig. 4*



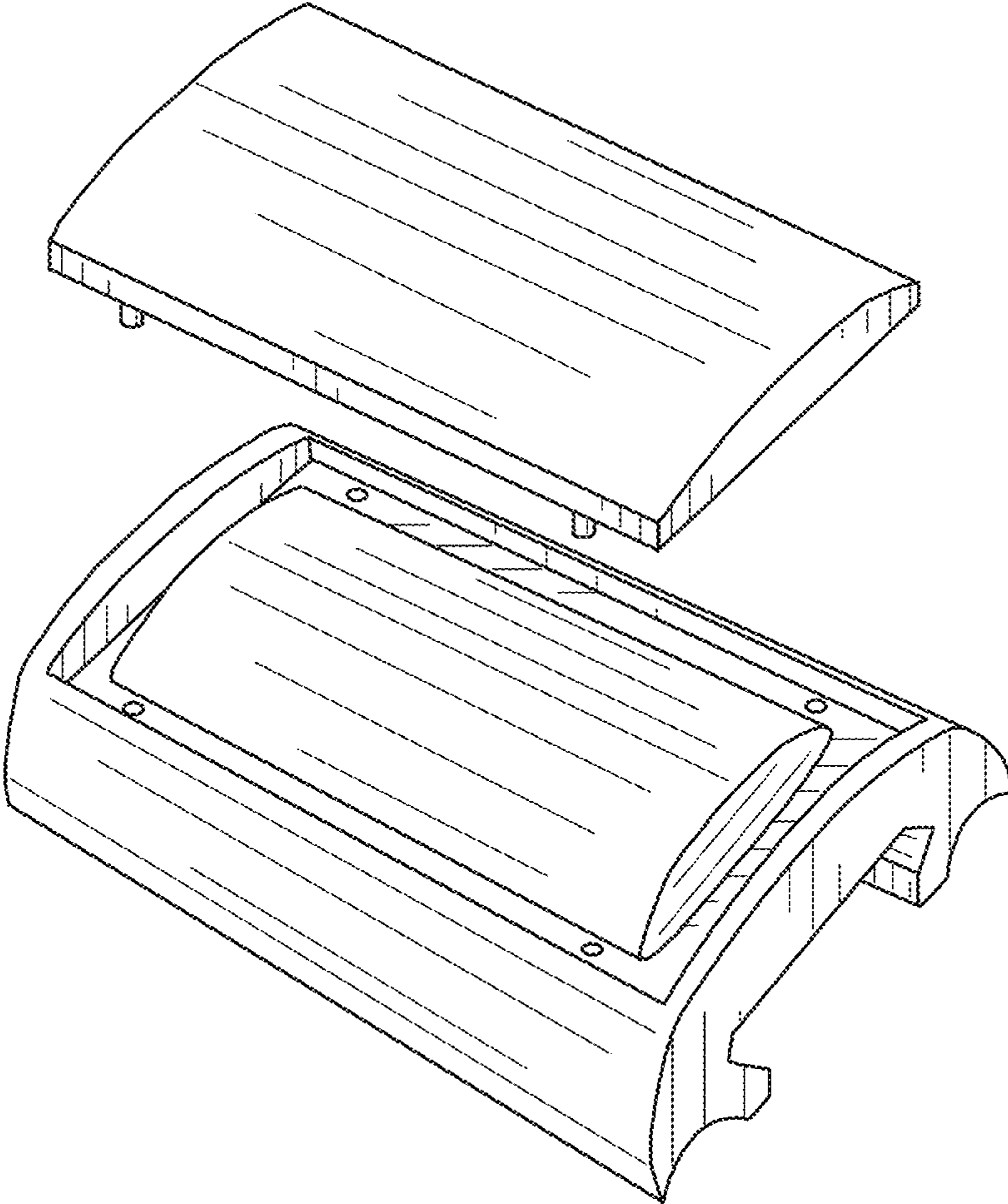
*Fig. 5*



*Fig. 6*



*Fig. 7*



*Fig. 8*