



US00D729336S

(12) **United States Design Patent**
Rager

(10) **Patent No.:** **US D729,336 S**

(45) **Date of Patent:** **** May 12, 2015**

(54) **ARROWHEAD WITH CURVED BLADES**

(71) Applicant: **Flying Arrow Archery, LLC**, Belgrade, MT (US)

(72) Inventor: **Christopher Allen Rager**, Belgrade, MT (US)

(73) Assignee: **Flying Arrow Archery, LLC**, Belgrade, MT (US)

(**) Term: **14 Years**

(21) Appl. No.: **29/473,297**

(22) Filed: **Nov. 20, 2013**

Related U.S. Application Data

(63) Continuation-in-part of application No. 13/797,290, filed on Mar. 12, 2013.

(51) **LOC (10) Cl.** **22-01**

(52) **U.S. Cl.**
USPC **D22/107**

(58) **Field of Classification Search**
CPC F42B 6/04; F42B 6/06
USPC D22/107, 115, 199; 473/582, 578
See application file for complete search history.

(56) **References Cited**

U.S. PATENT DOCUMENTS

D184,538 S 3/1959 Santry
3,604,708 A 9/1971 Brozina
3,897,062 A 7/1975 Christensen

(Continued)

OTHER PUBLICATIONS

Notice of Allowance in U.S. Appl. No. 29/441,340, mailed May 20, 2014, 7 pages.

(Continued)

Primary Examiner — Michael A Pratt

(74) *Attorney, Agent, or Firm* — Lathrop & Gage LLP

(57) **CLAIM**

The ornamental design for an arrowhead with curved blades, as shown and described.

DESCRIPTION

FIG. 1 is a first perspective view, from a front-top-right angle, of an arrowhead with curved blades incorporating my new design, in a first embodiment;

FIG. 2 is a second perspective view thereof from a front-top-left angle;

FIG. 3 is third perspective view thereof from a rear-right-top angle;

FIG. 4 is fourth perspective view thereof from a rear-top-left angle;

FIG. 5 is a top view thereof;

FIG. 6 is a bottom view thereof;

FIG. 7 is a right plan view thereof;

FIG. 8 is a left plan view thereof;

FIG. 9 is a front view thereof;

FIG. 10 is a rear view thereof.

FIG. 11 is a first perspective view, from a front-top-right angle, of an arrowhead with curved blades incorporating my new design, in a second embodiment;

FIG. 12 is a second perspective view thereof from a front-top-left angle;

FIG. 13 is third perspective view thereof from a rear-right-top angle;

FIG. 14 is fourth perspective view thereof from a rear-top-left angle;

FIG. 15 is a top view thereof;

FIG. 16 is a bottom view thereof;

FIG. 17 is a right plan view thereof;

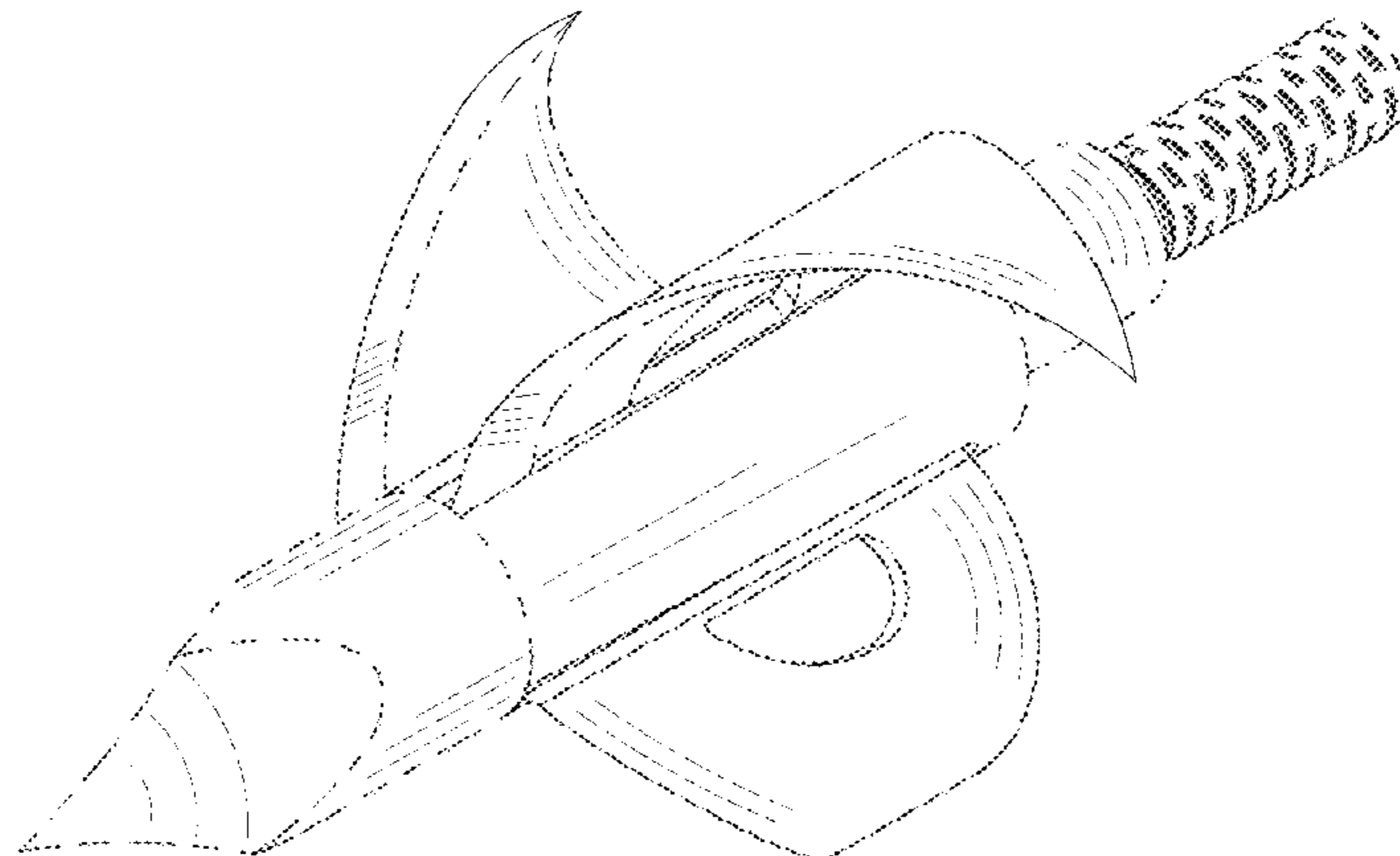
FIG. 18 is a left plan view thereof;

FIG. 19 is a front view thereof; and,

FIG. 20 is a rear view thereof.

In the above figures, the broken lines form no part of the claimed design.

1 Claim, 12 Drawing Sheets



(56)

References Cited

U.S. PATENT DOCUMENTS

5,160,148 A 11/1992 Musacchia
5,257,809 A 11/1993 Carrizosa
6,319,161 B1 11/2001 Martinez et al.
6,663,518 B1 * 12/2003 Kuhn 473/583
6,863,630 B1 3/2005 Watkins et al.
6,887,172 B2 5/2005 Arasmith
6,966,856 B1 11/2005 Hajek
7,311,622 B1 12/2007 Futtere

8,043,178 B2 * 10/2011 Sames 473/583
D663,004 S * 7/2012 Isringhausen D22/107
8,496,549 B2 7/2013 Couture
D713,919 S * 9/2014 Rager D22/107
2013/0237350 A1 * 9/2013 Rager 473/584

OTHER PUBLICATIONS

Office Action in U.S. Appl. No. 13/797,290, mailed Jun. 23, 2014, 5 pages.

* cited by examiner

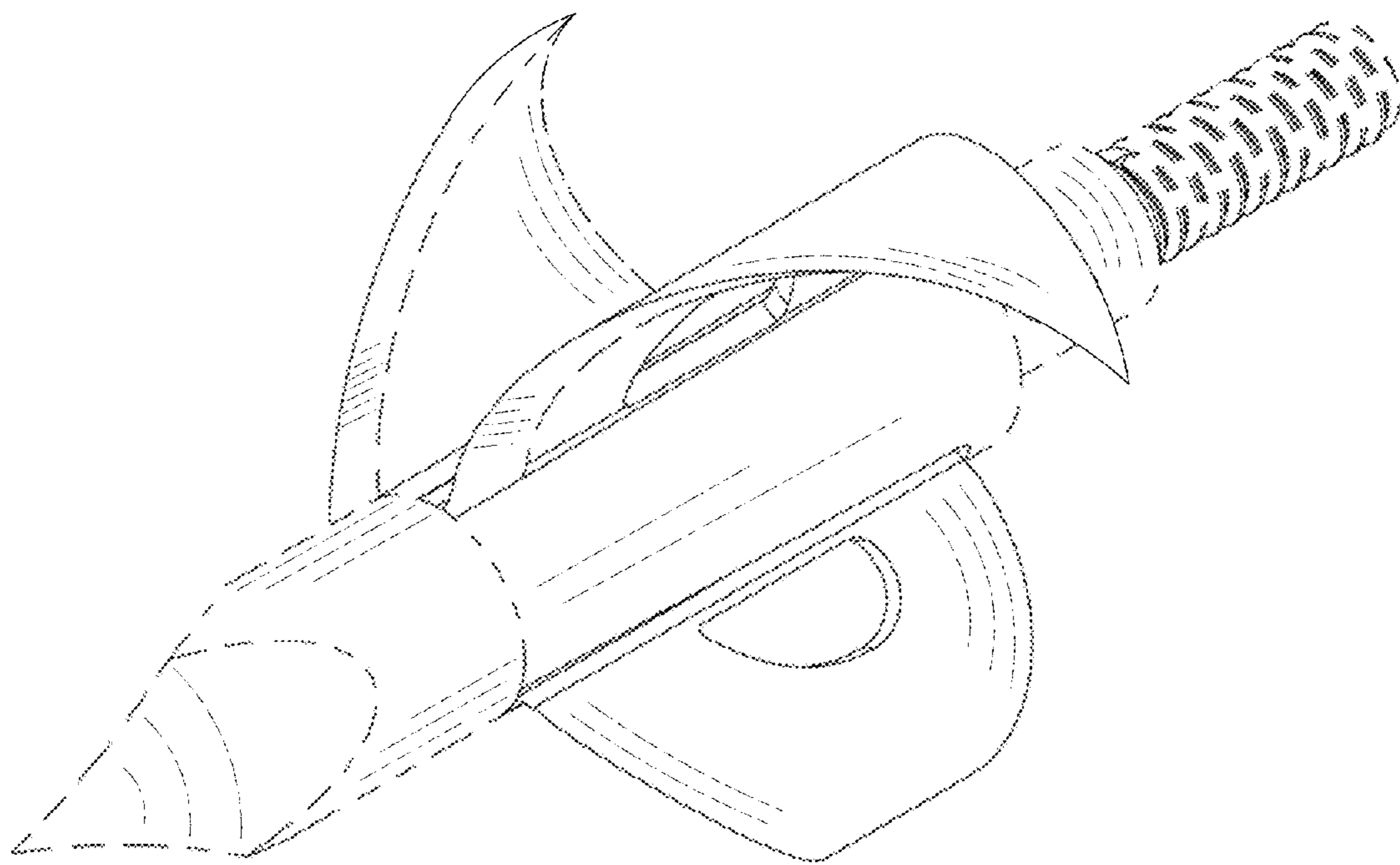


FIG. 1

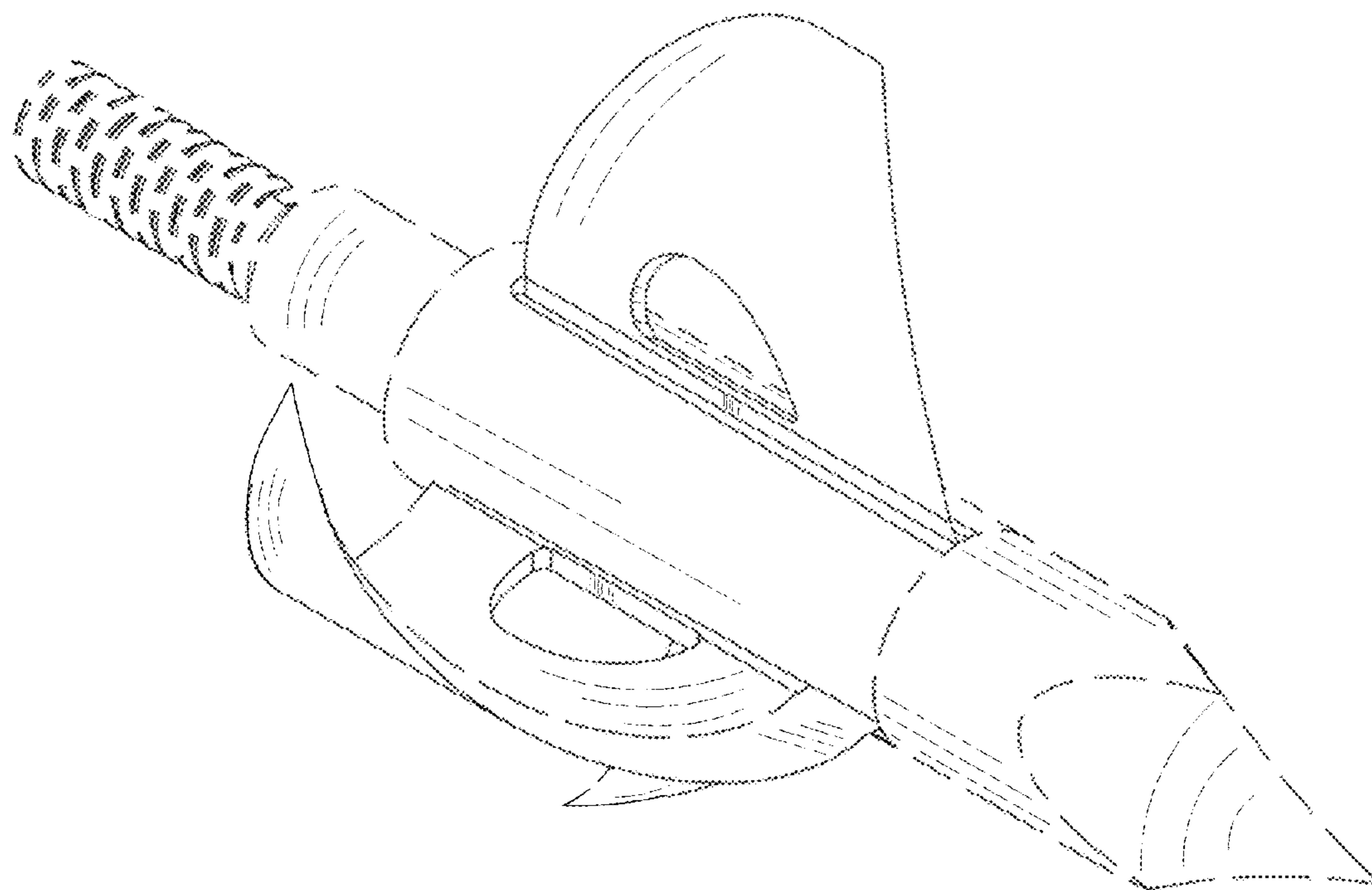


FIG. 2

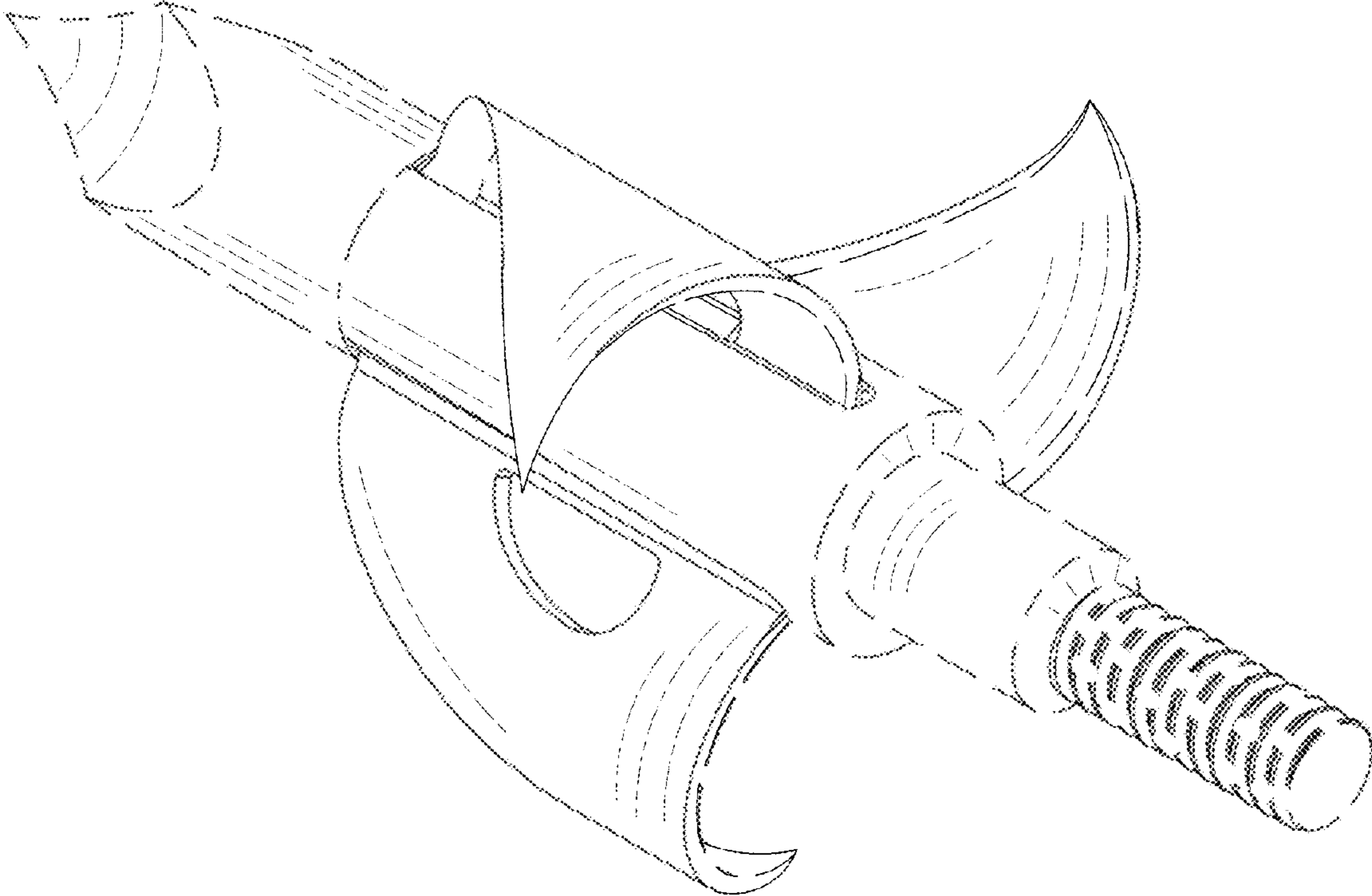


FIG. 3

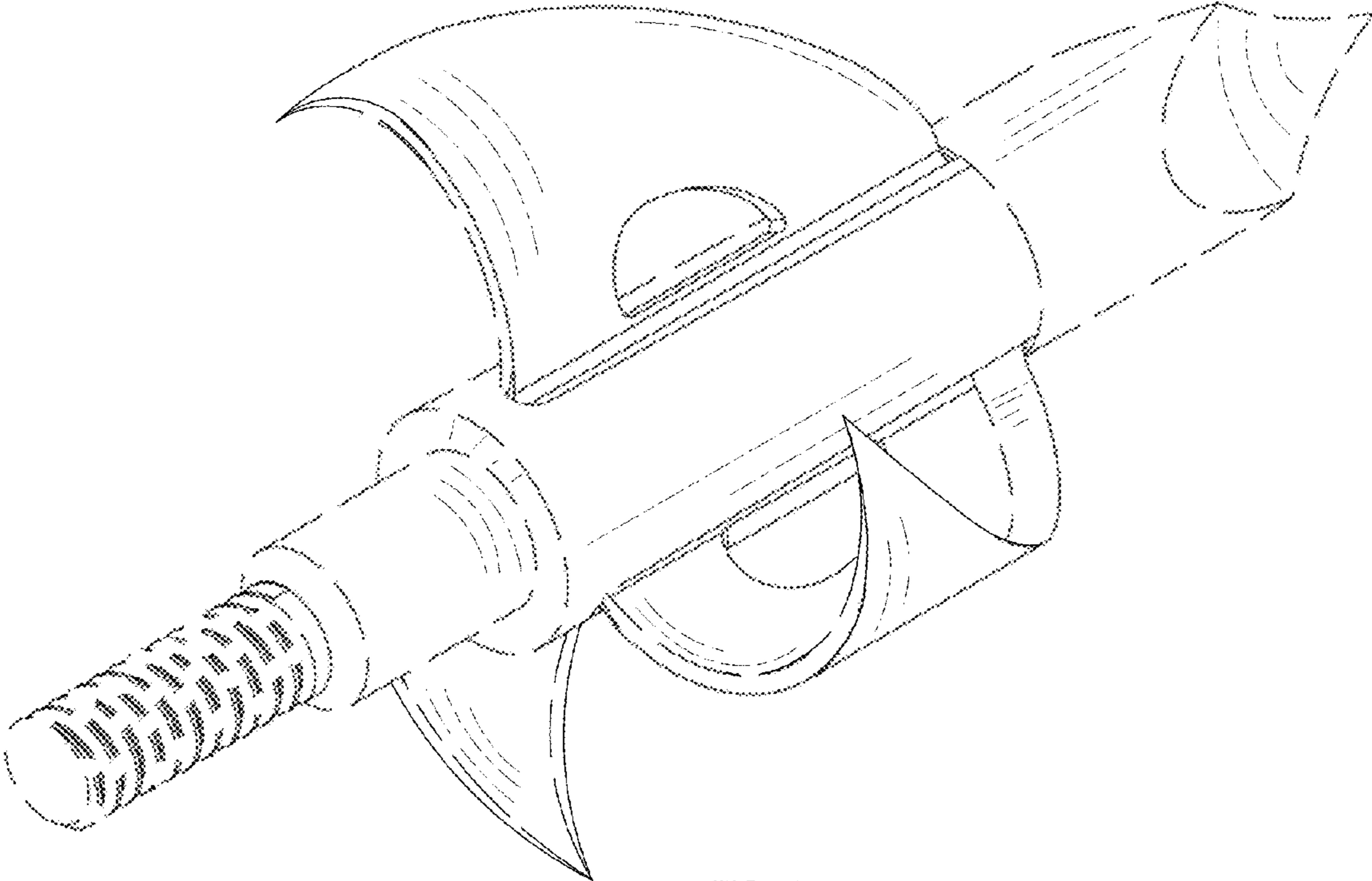


FIG. 4

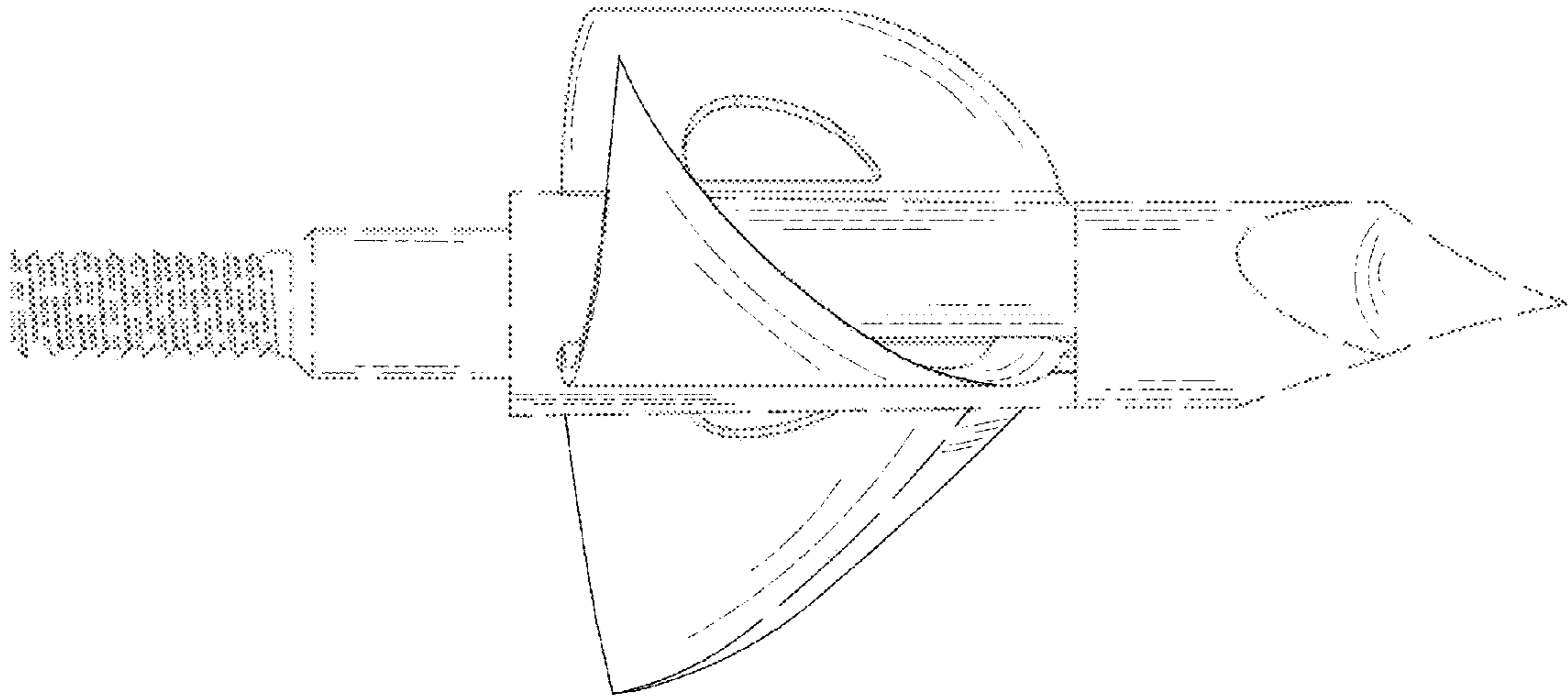


FIG. 5

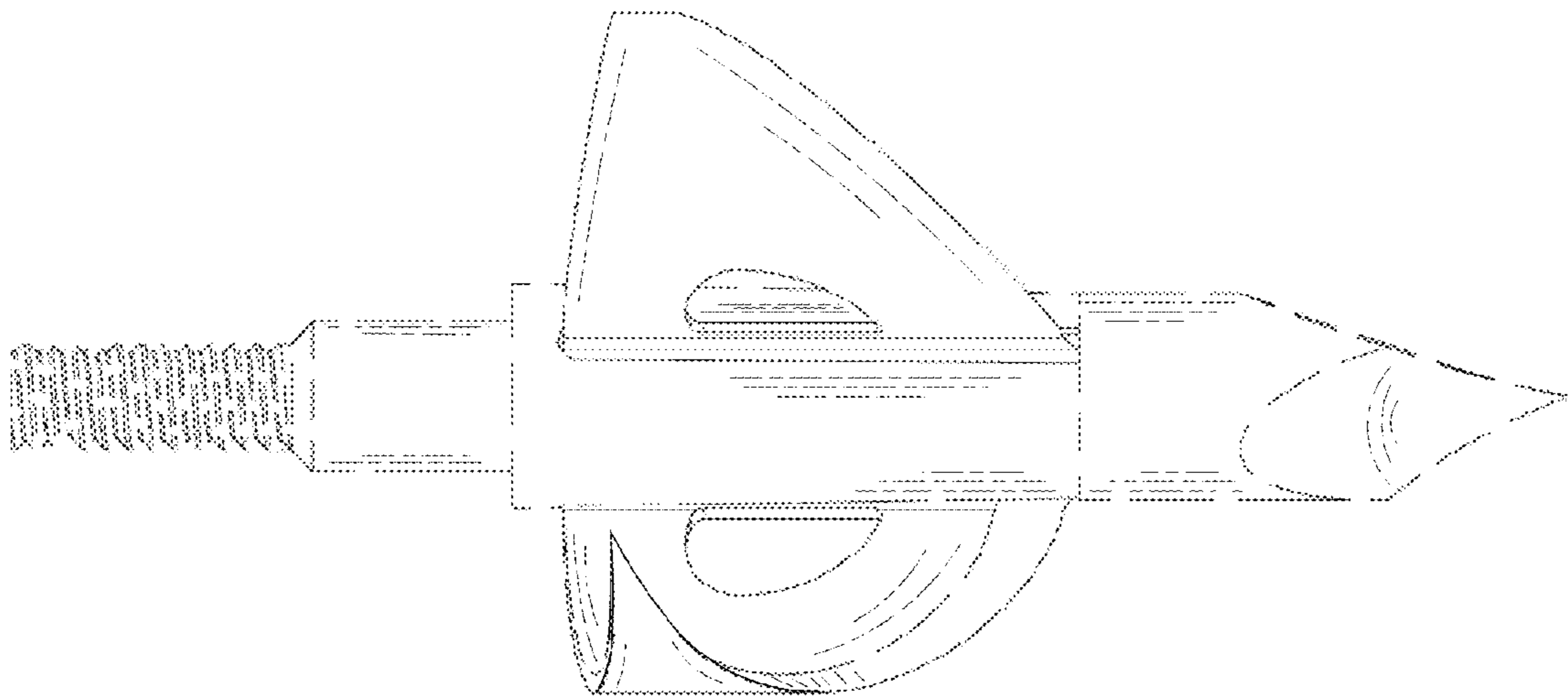


FIG. 6

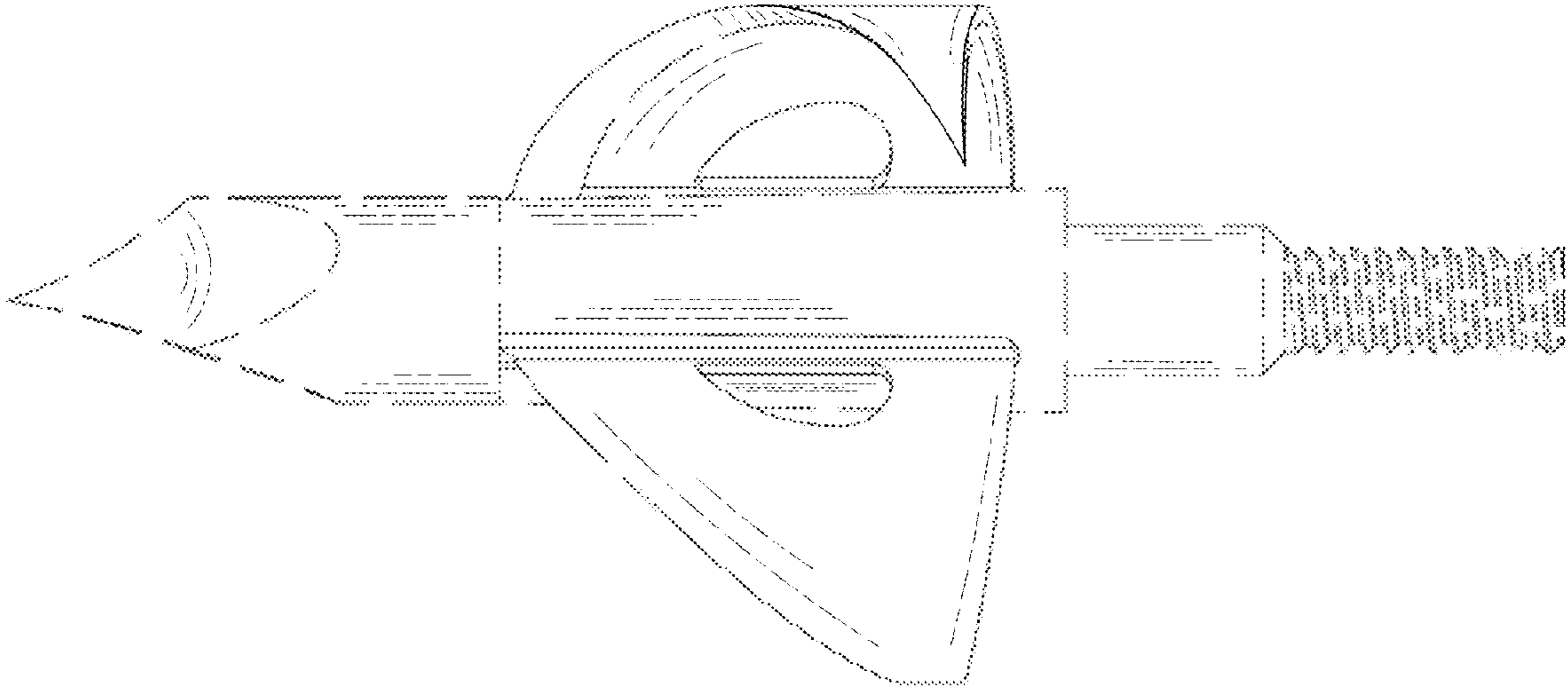


FIG. 7

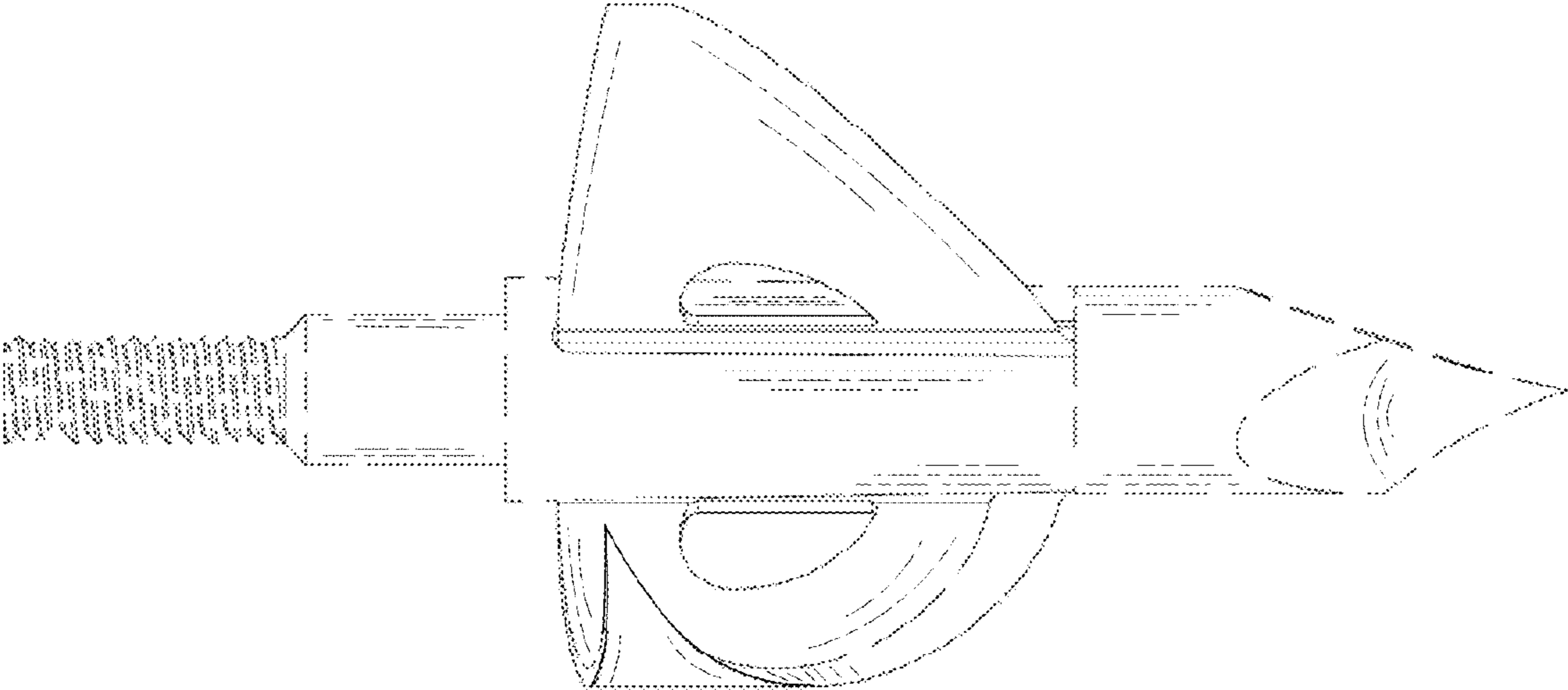


FIG. 8

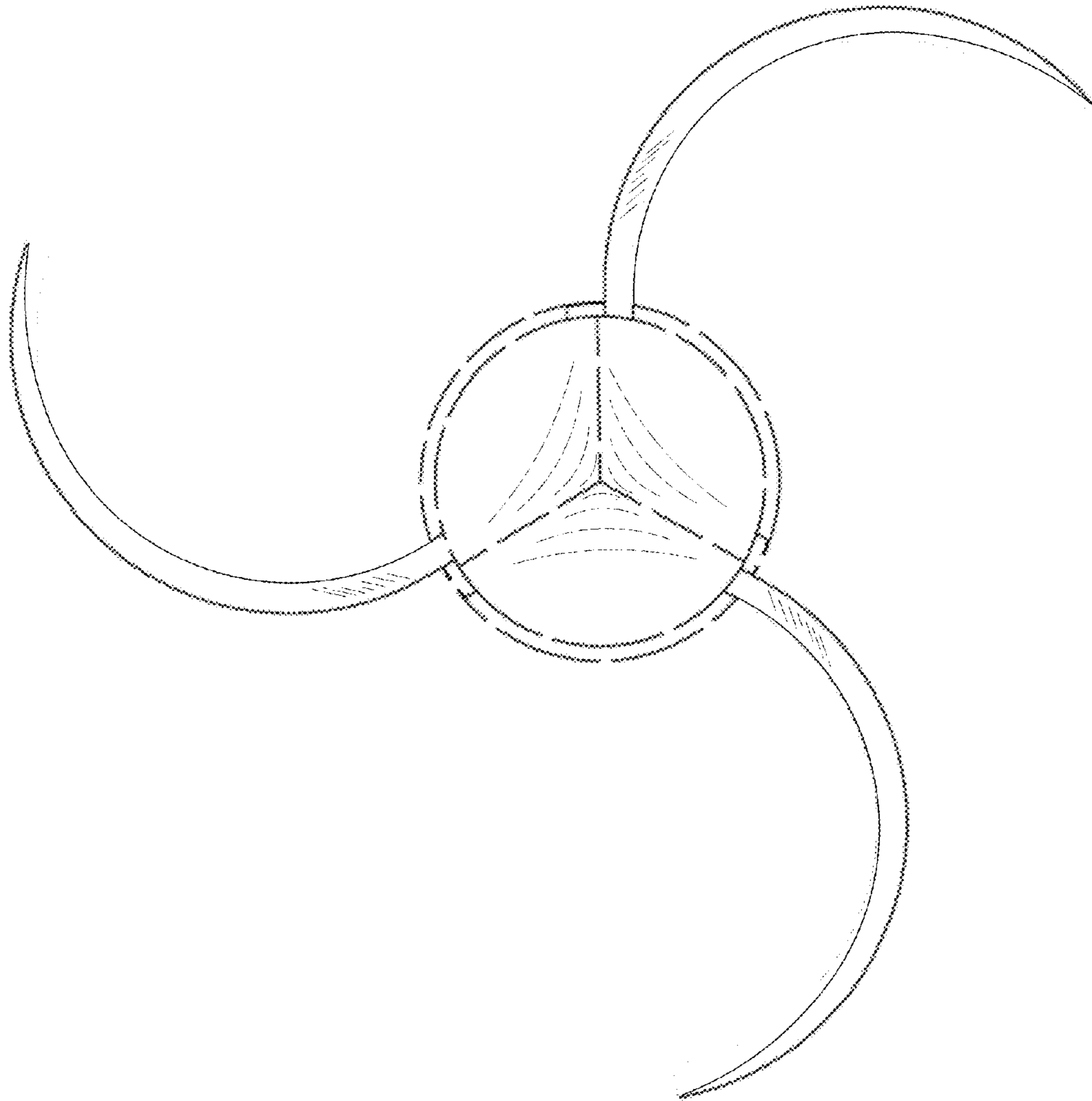


FIG. 9

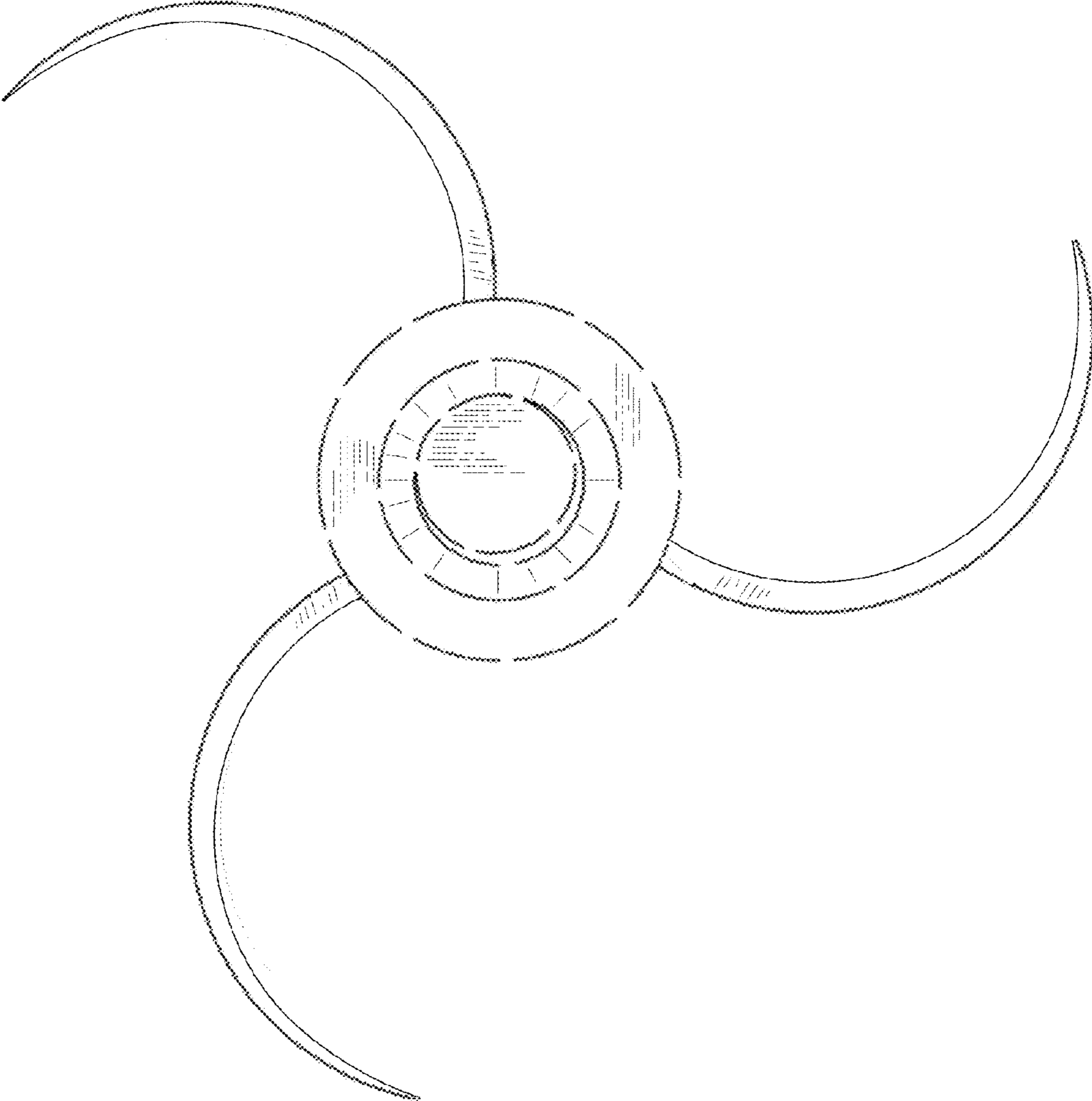


FIG. 10

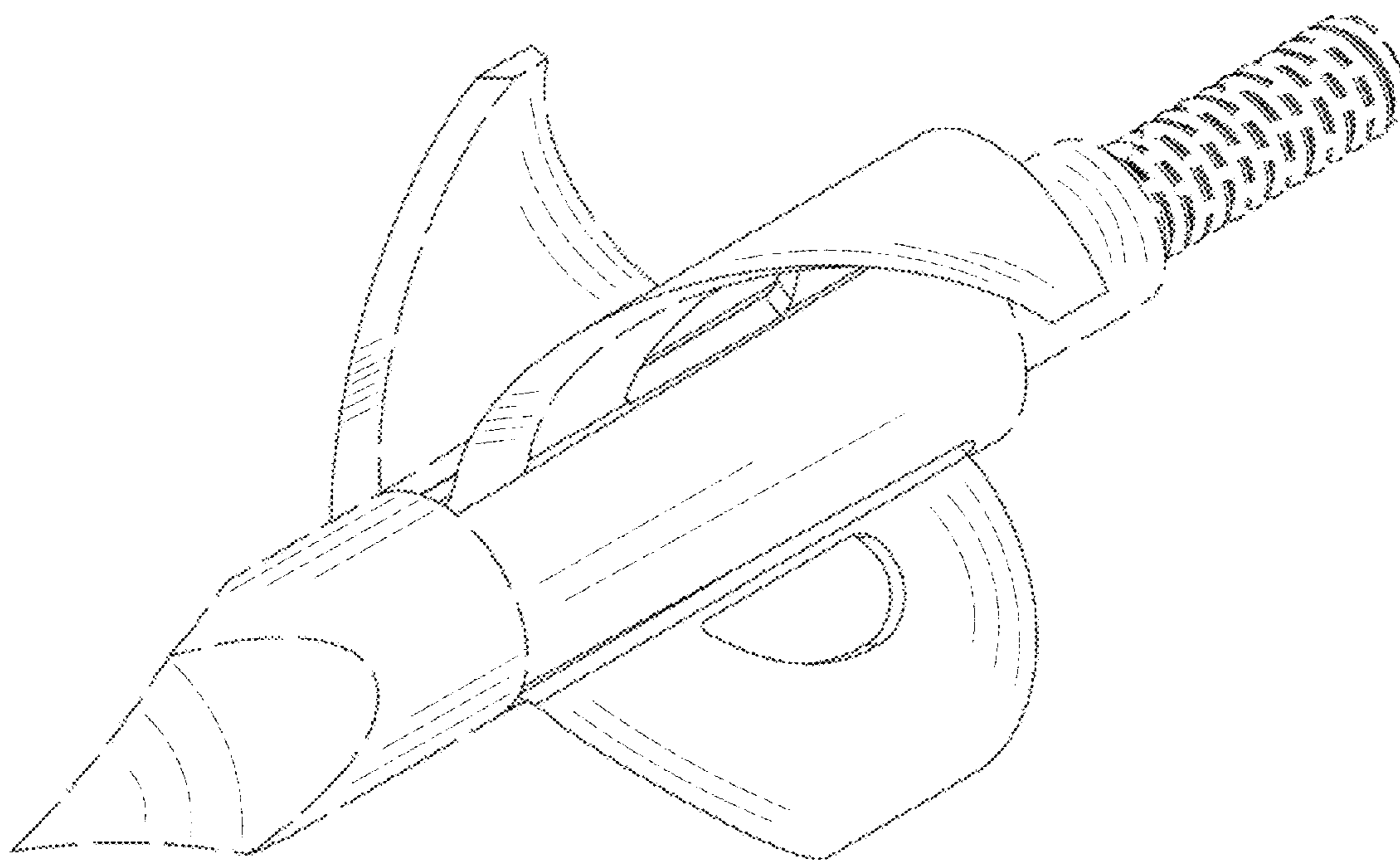


FIG. 11

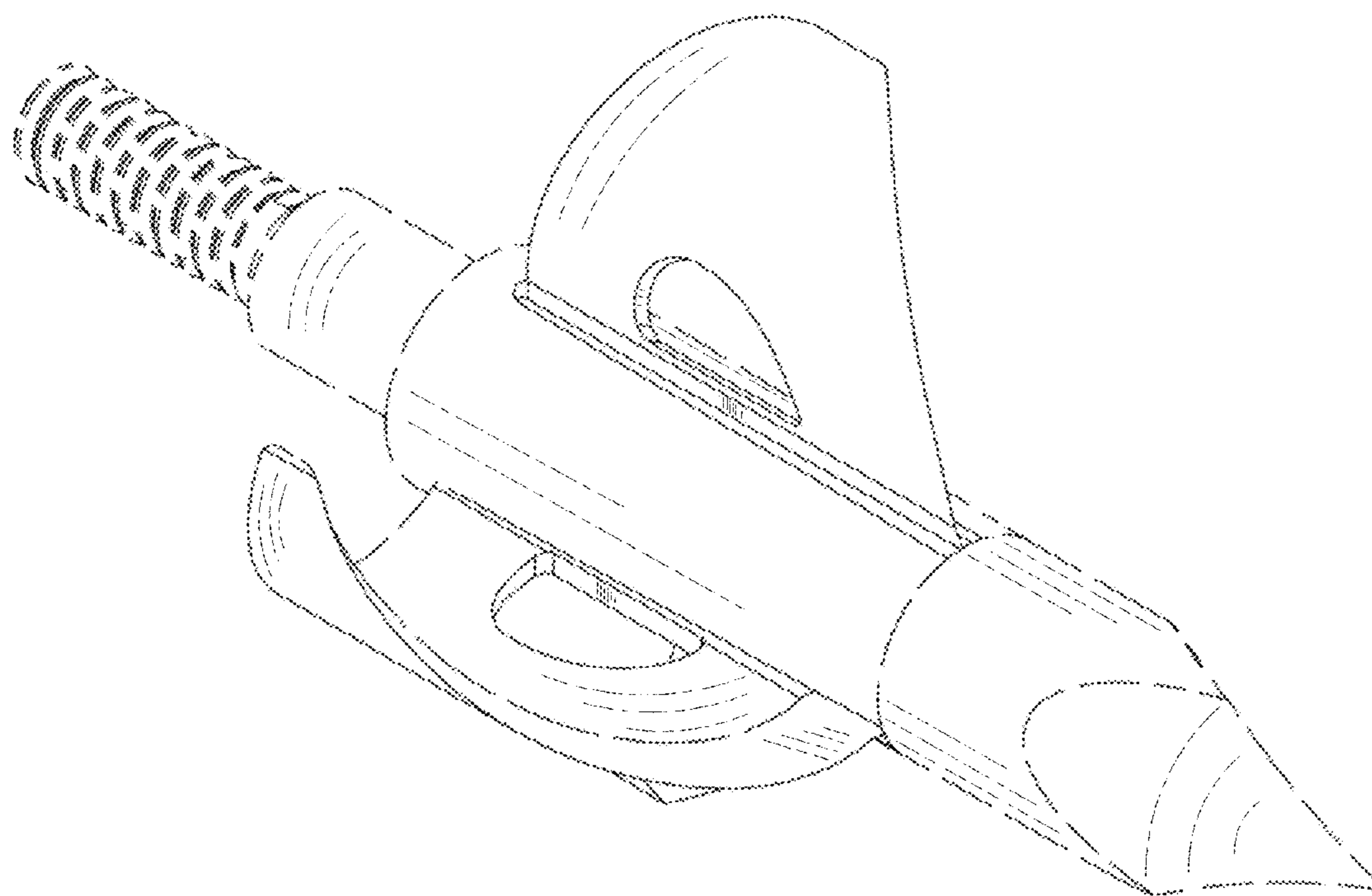


FIG. 12

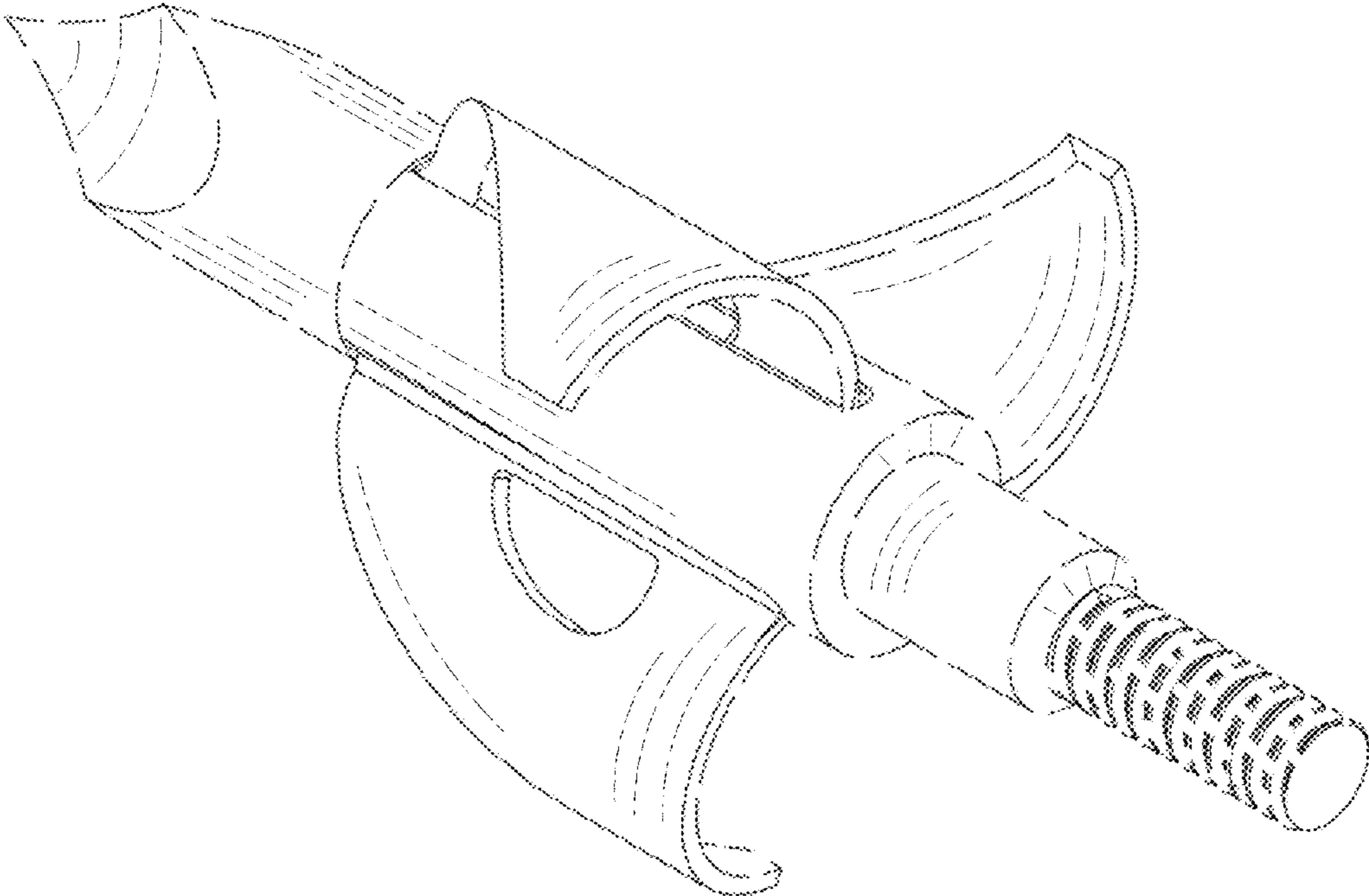


FIG. 13

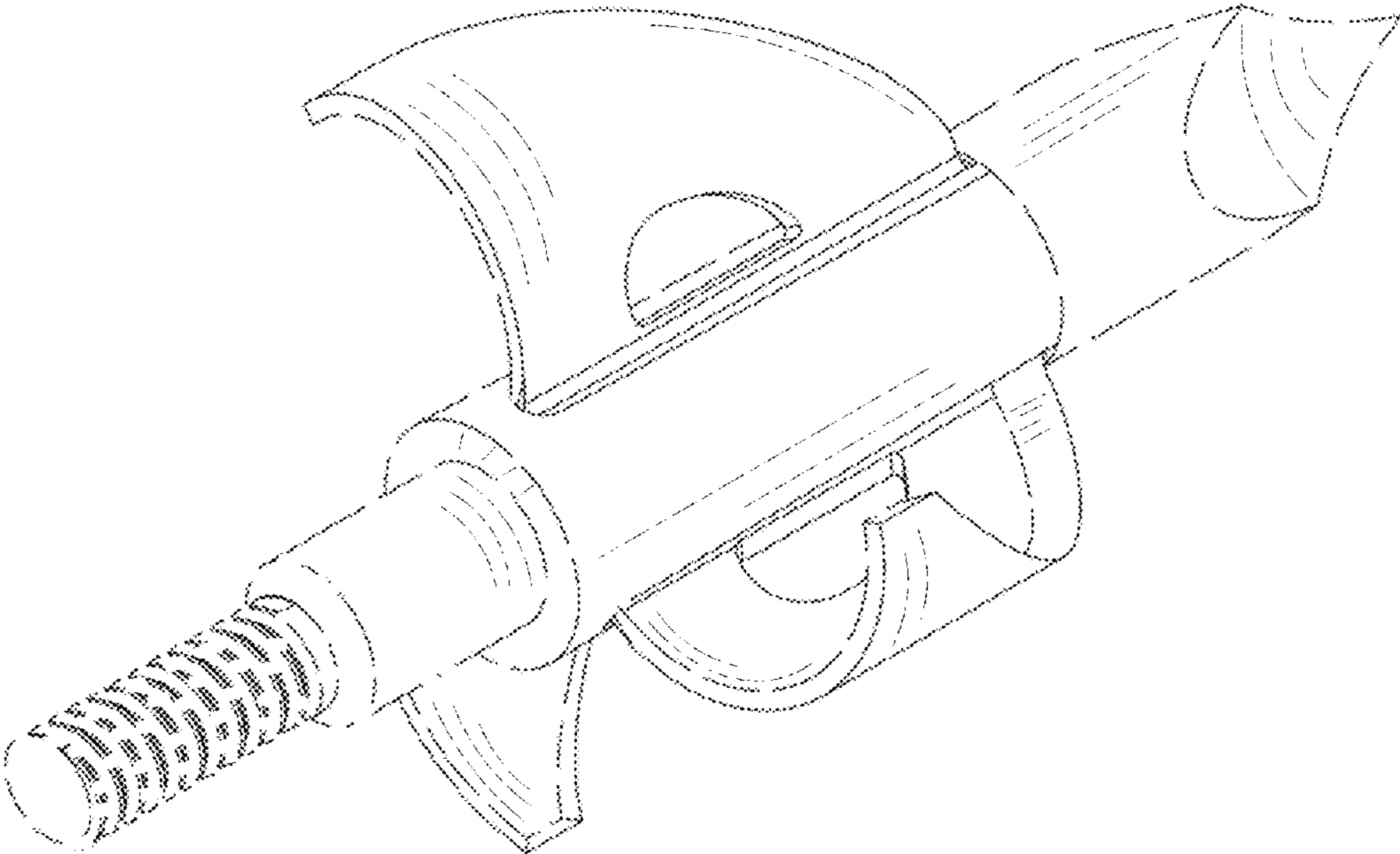


FIG. 14

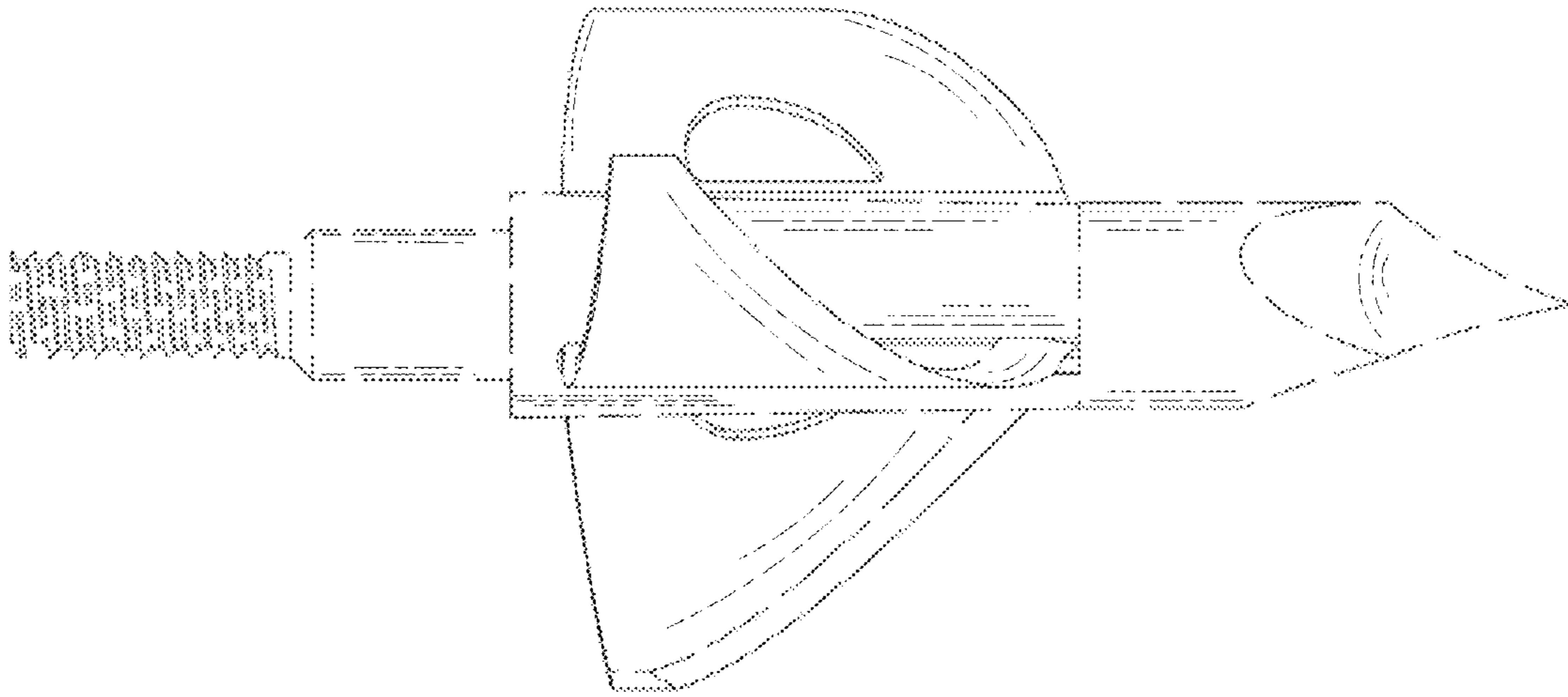


FIG. 15

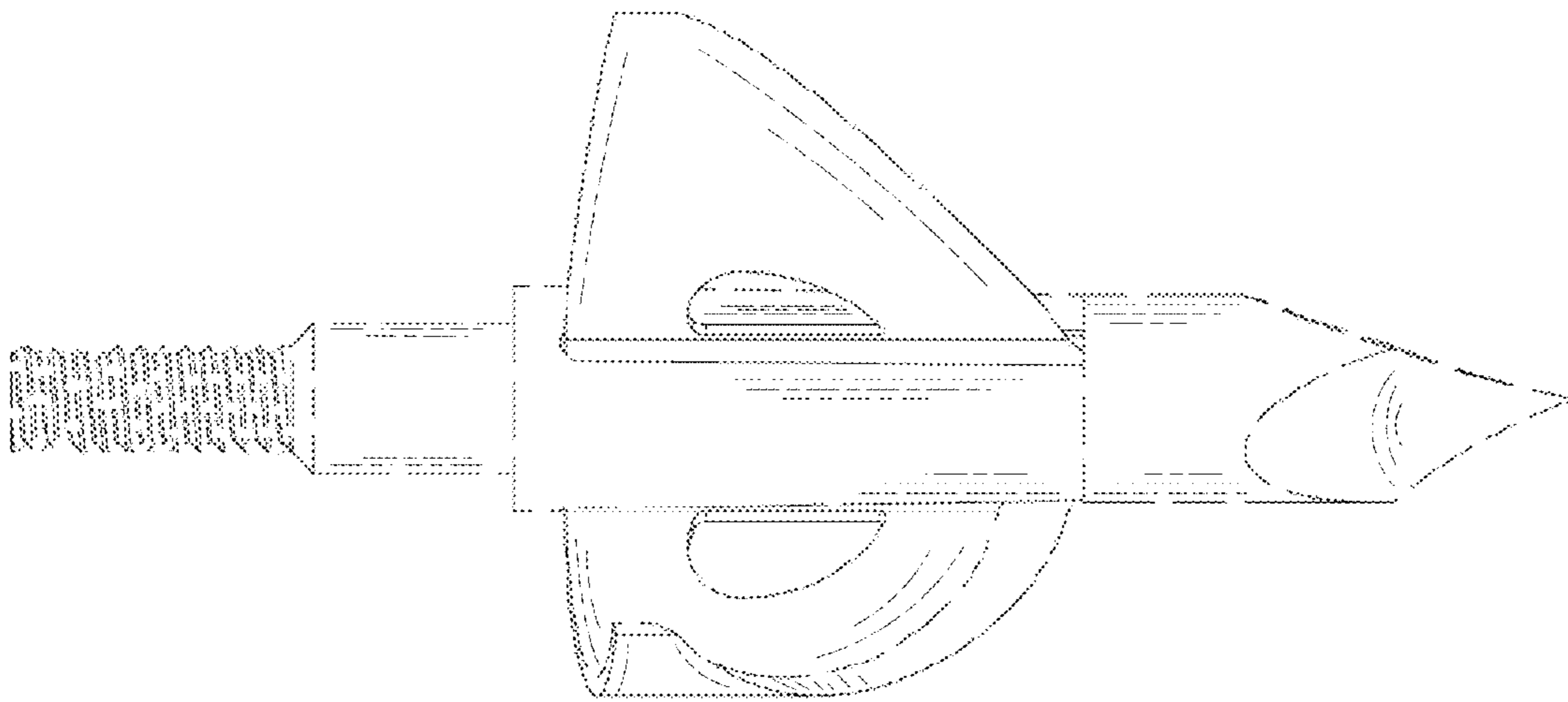


FIG. 16

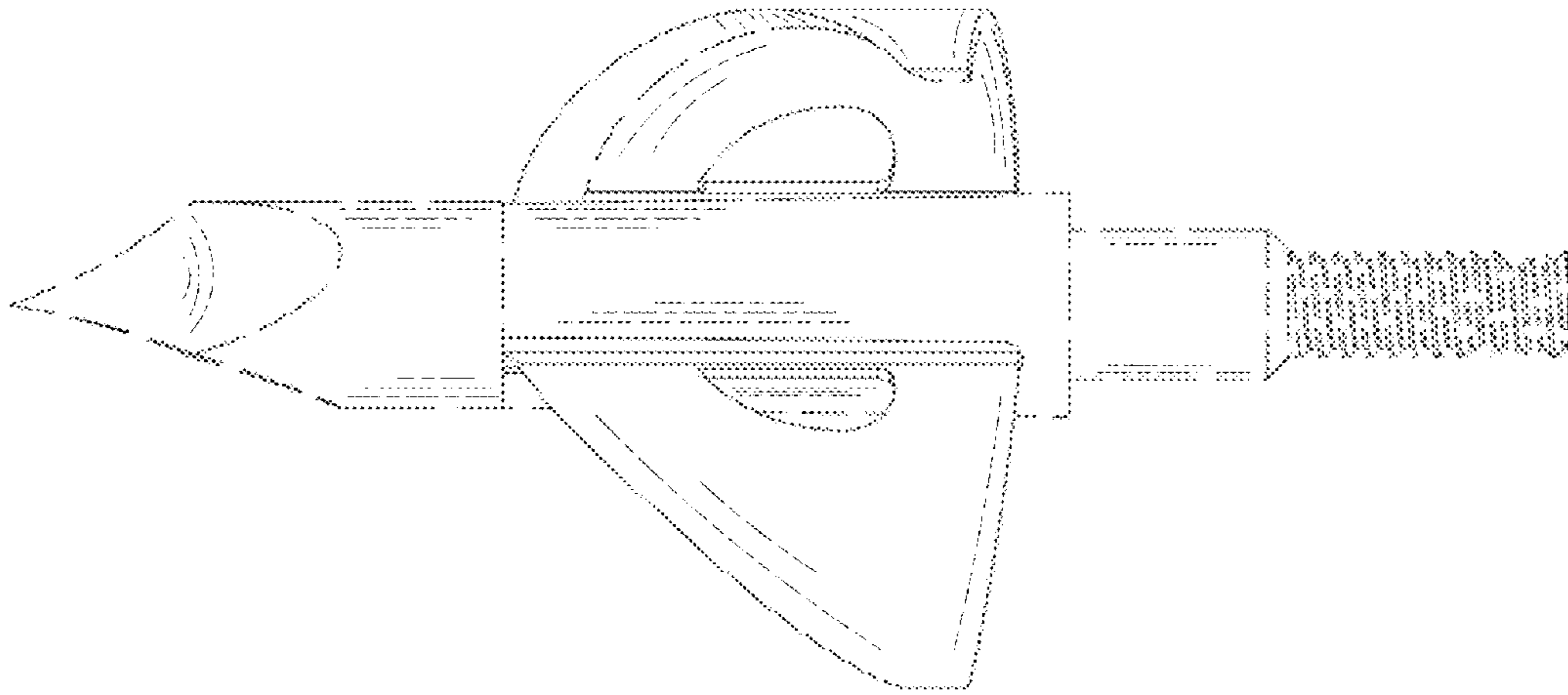


FIG. 17

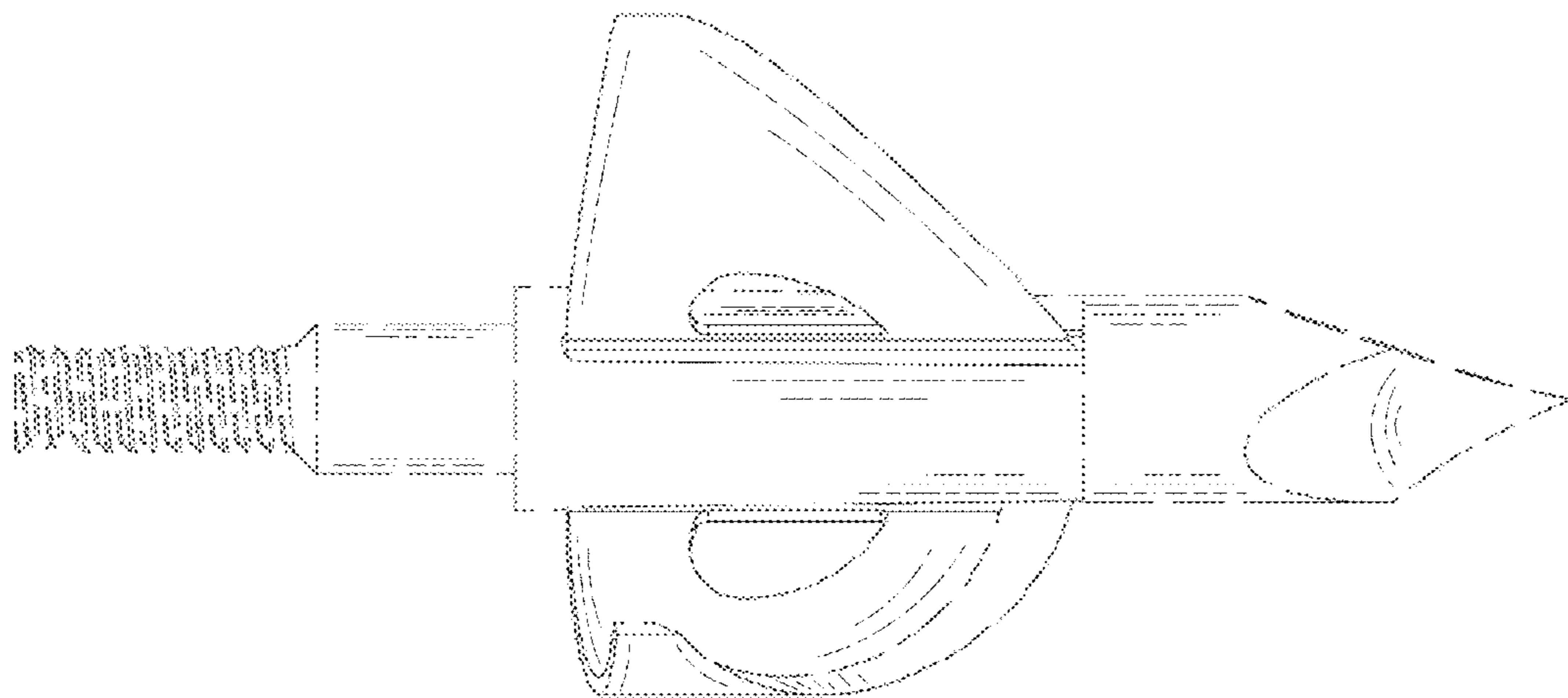


FIG. 18

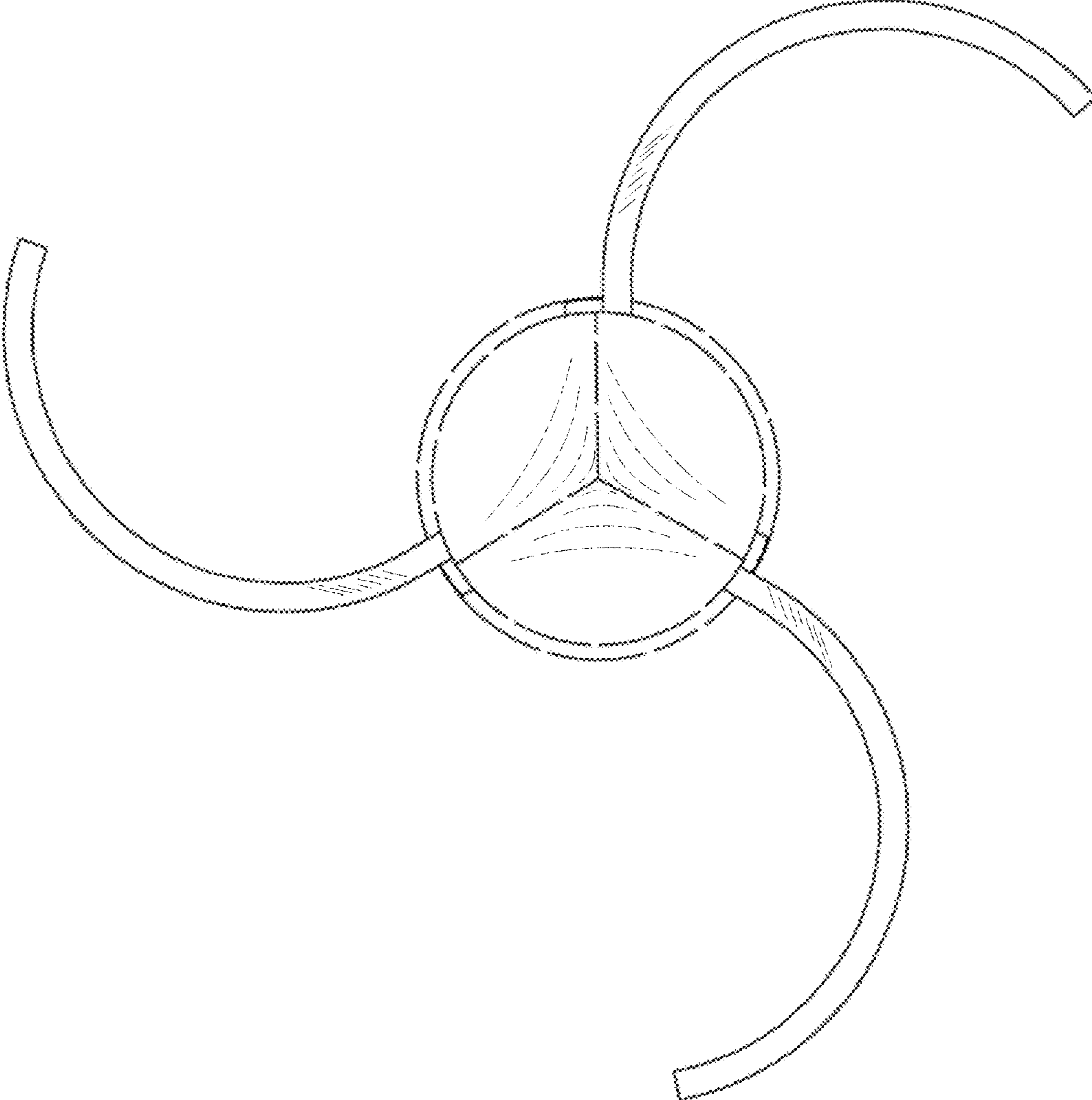


FIG. 19

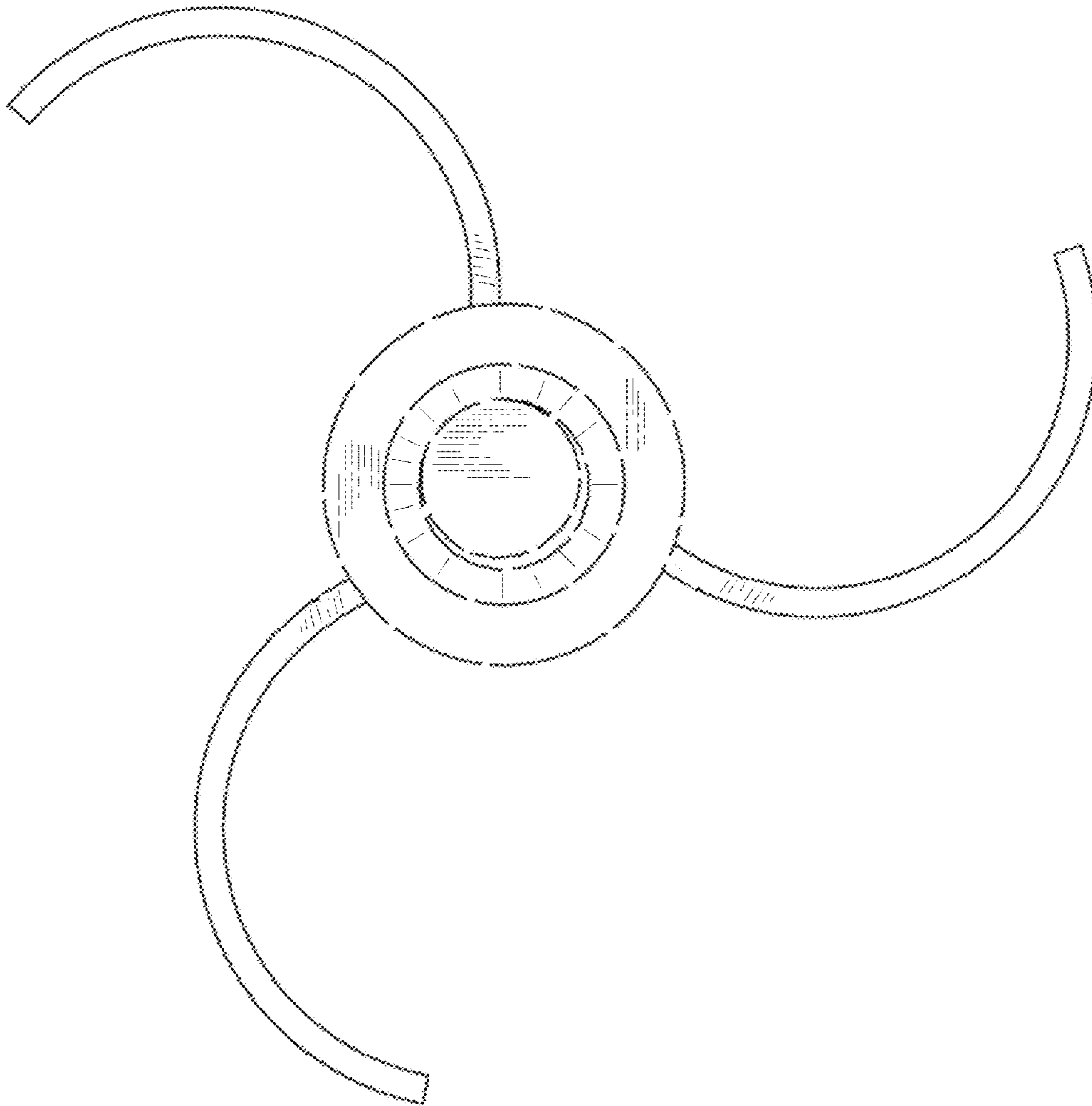


FIG. 20