



US00D729335S

(12) **United States Design Patent**
Mallookis et al.

(10) **Patent No.:** **US D729,335 S**
(45) **Date of Patent:** **** May 12, 2015**

(54) **COLLAPSIBLE SHELTER ANCHOR**

(71) Applicant: **Go Papa LLLP**, Littleton, CO (US)

(72) Inventors: **Steven E. Mallookis**, Littleton, CO (US); **Steven B. Mallookis**, Littleton, CO (US)

(73) Assignee: **Go Papa, LLLP**, Littleton, CO (US)

(**) Term: **14 Years**

(21) Appl. No.: **29/467,241**

(22) Filed: **Sep. 17, 2013**

(51) **LOC (10) Cl.** **21-04**

(52) **U.S. Cl.**
USPC **D21/839**

(58) **Field of Classification Search**
USPC D21/839; D3/290, 303; 135/16, 118, 135/119, 123; 383/2, 88; 206/811; 52/166
See application file for complete search history.

(56) **References Cited**

U.S. PATENT DOCUMENTS

5,452,877	A *	9/1995	Riffle et al.	135/16
5,737,883	A *	4/1998	Rose	52/166
6,446,649	B1 *	9/2002	Bigford	135/16
8,789,549	B1 *	7/2014	Barnes	135/118
2014/0254956	A1 *	9/2014	Buell, III	383/88

OTHER PUBLICATIONS

Explorer Dry Bag—Dry Bag Stuff—Seattle Sports Company <URL: <http://www.seattlesportsco.com/productcart/pc/viewPrd.asp?idproduct=33&idcategory=11>>, Admitted Prior Art (undated), 2 pgs.

* cited by examiner

Primary Examiner — Cynthia M Chin

(74) *Attorney, Agent, or Firm* — Brooks, Cameron & Huebsch, PLLC

(57) **CLAIM**

The ornamental design for a collapsible shelter anchor, as shown and described.

DESCRIPTION

FIG. 1 is an angled perspective view of a collapsible shelter anchor of the present disclosure;

FIG. 2 is a perspective view of the collapsible shelter anchor of FIG. 1 in a biased closed configuration;

FIG. 3 is a top view of a collapsible shelter anchor of the present disclosure;

FIG. 4 is a bottom view of a collapsible shelter anchor of the present disclosure;

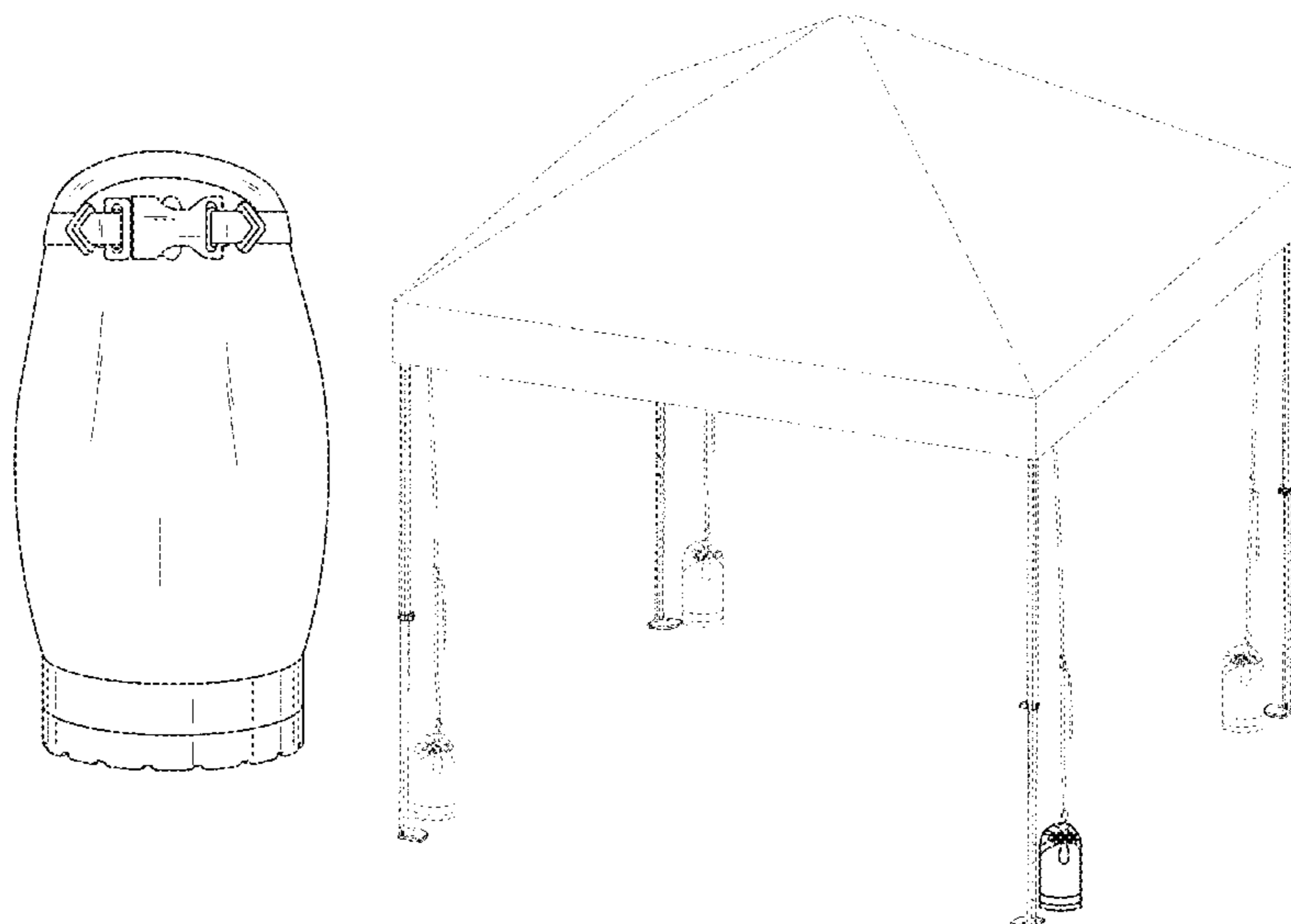
FIG. 5 is an angled perspective view of a collapsible shelter anchor of the present disclosure in a biased closed configuration;

FIG. 6 is a perspective view of an embodiment of the collapsible shelter anchor of FIG. 1 in a biased closed configuration where a first releasably engageable body and a second releasably engageable body are releasably engaged;

FIG. 7 is a perspective view of the collapsible shelter anchor of FIG. 6 in a biased closed configuration where a first releasably engageable body and a second releasably engageable body are releasably engaged and a coupling mechanism is received by a first eyelet and a second eyelet. The broken line showing of the coupling mechanism is for the purpose of illustrating environmental structure and forms no part of the claimed design; and,

FIG. 8 is an angled perspective top view of a collapsible shelter with collapsible shelter anchors filled with matter and releasably coupled via coupling mechanisms proximal to the vertical support legs of the collapsible shelter. The broken line showing of the coupling mechanisms and the collapsible shelter is for the purpose of illustrating environmental structure and forms no part of the claimed design.

1 Claim, 4 Drawing Sheets



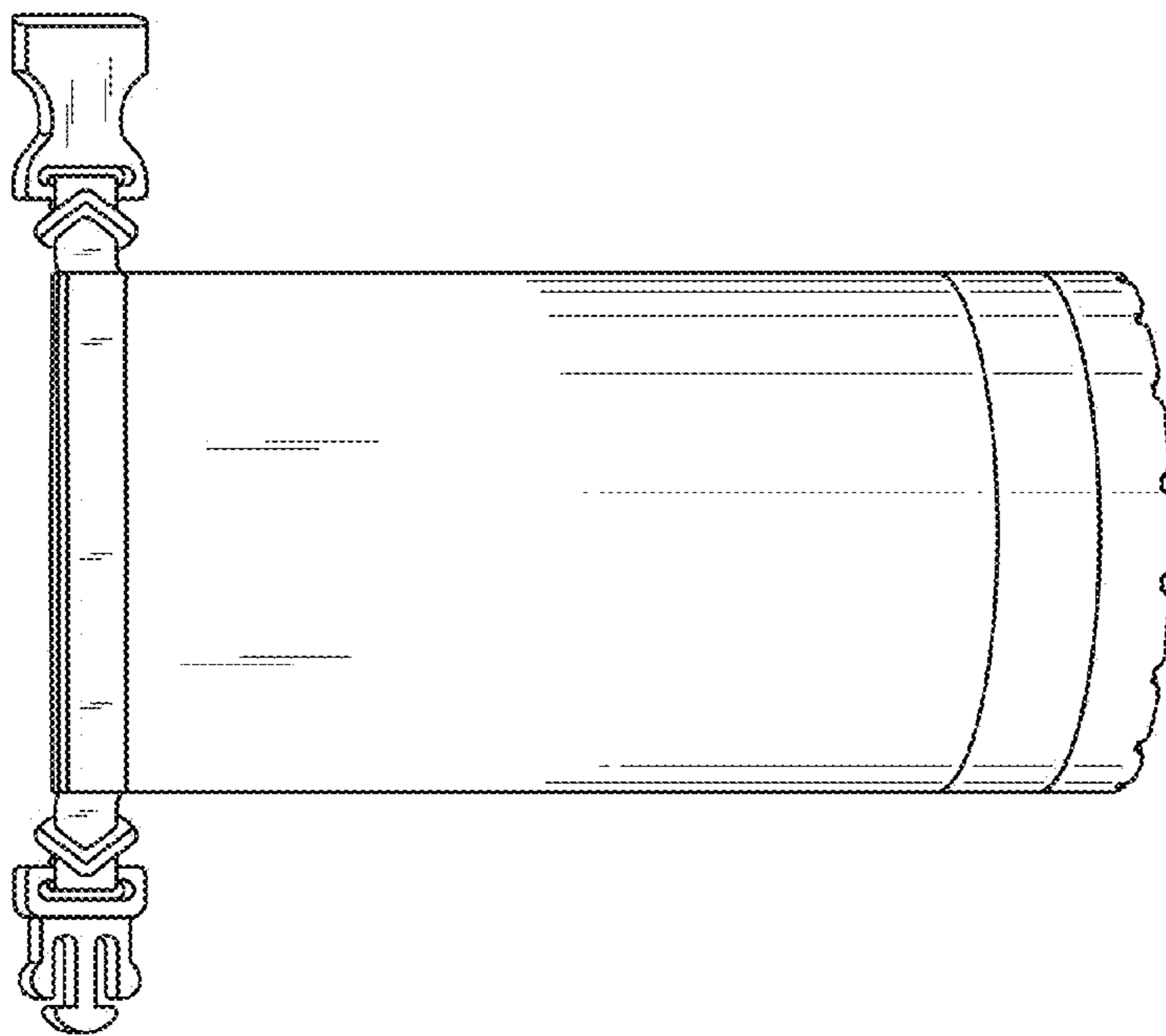


Fig. 2

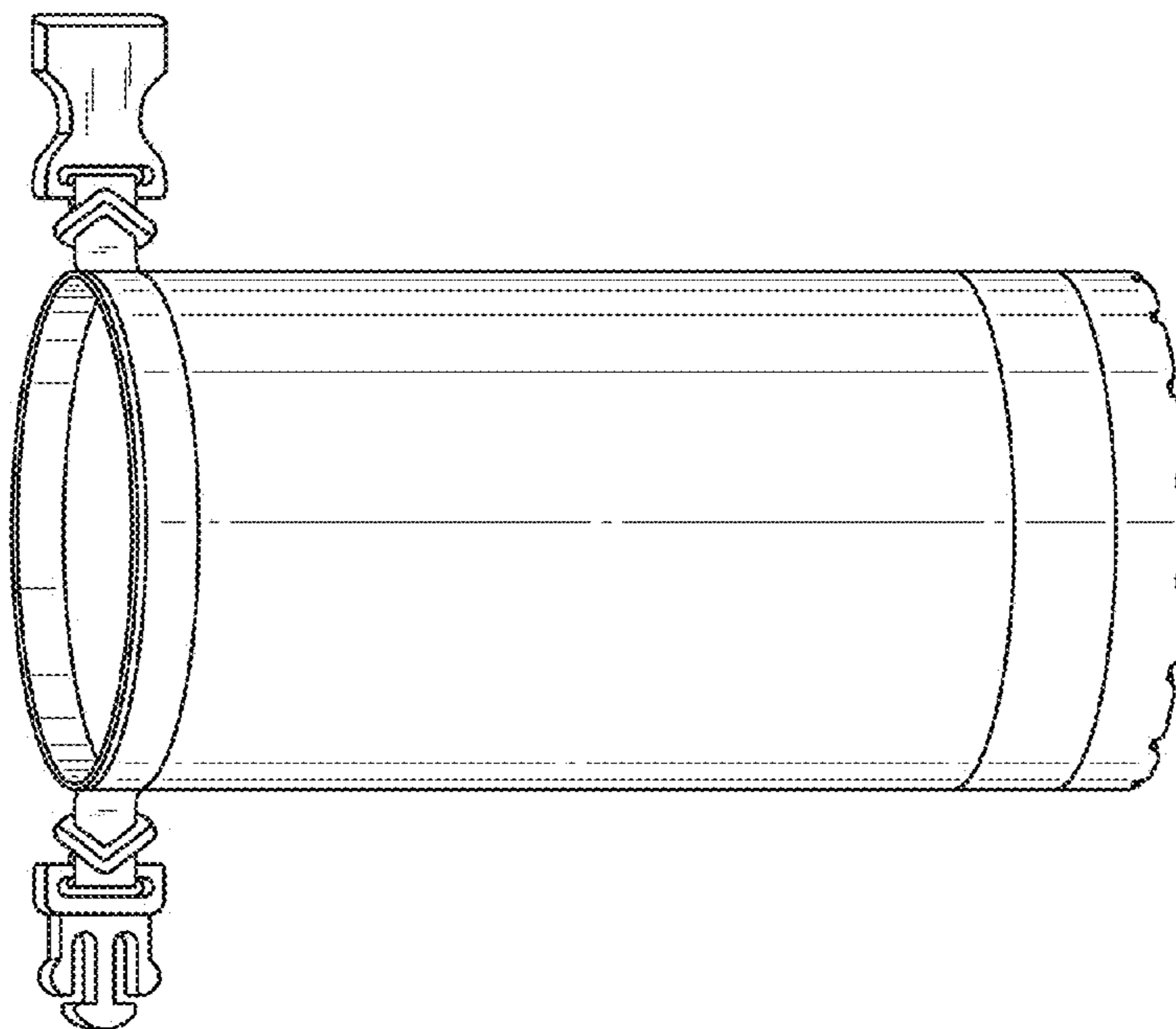


Fig. 1

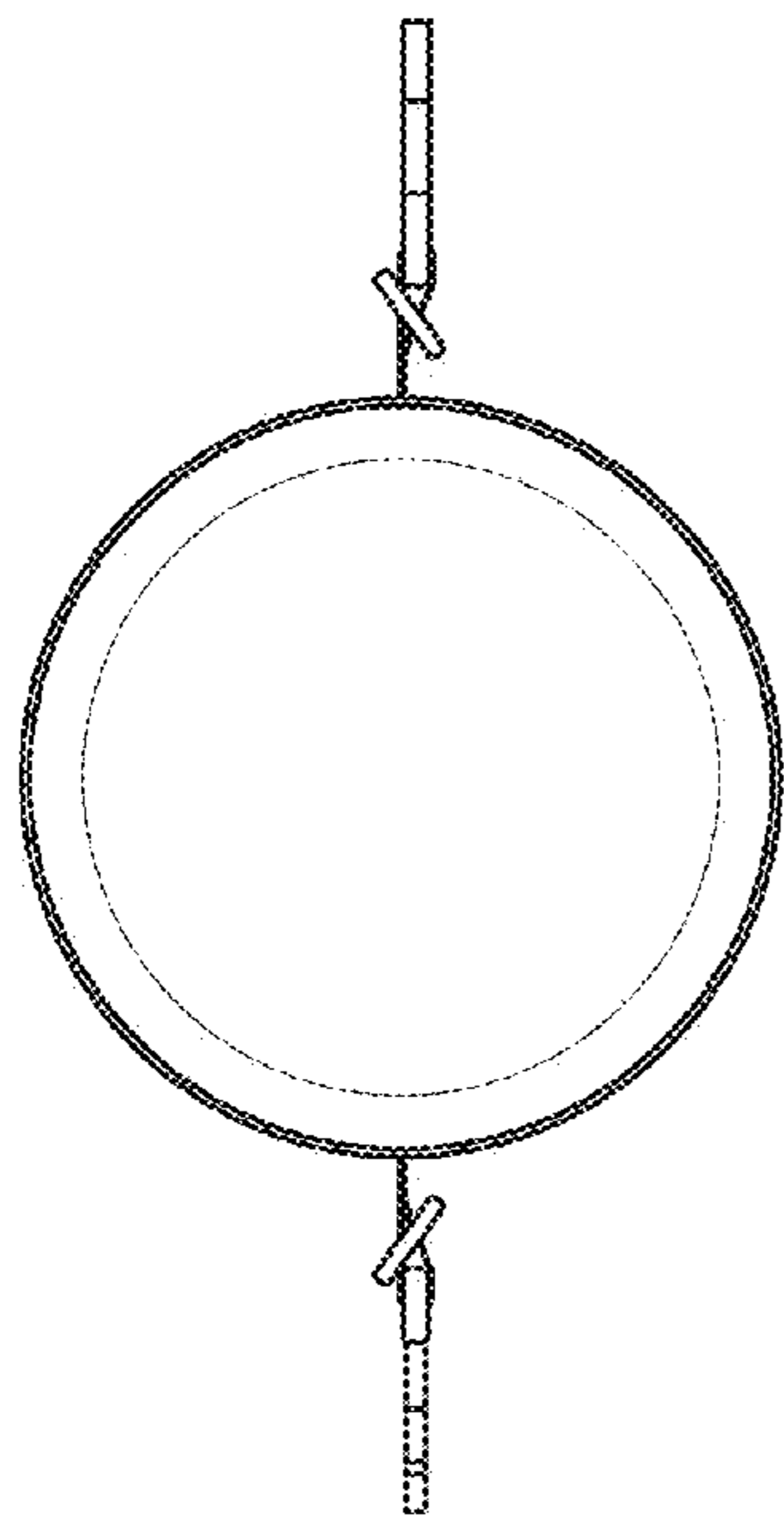


Fig. 3

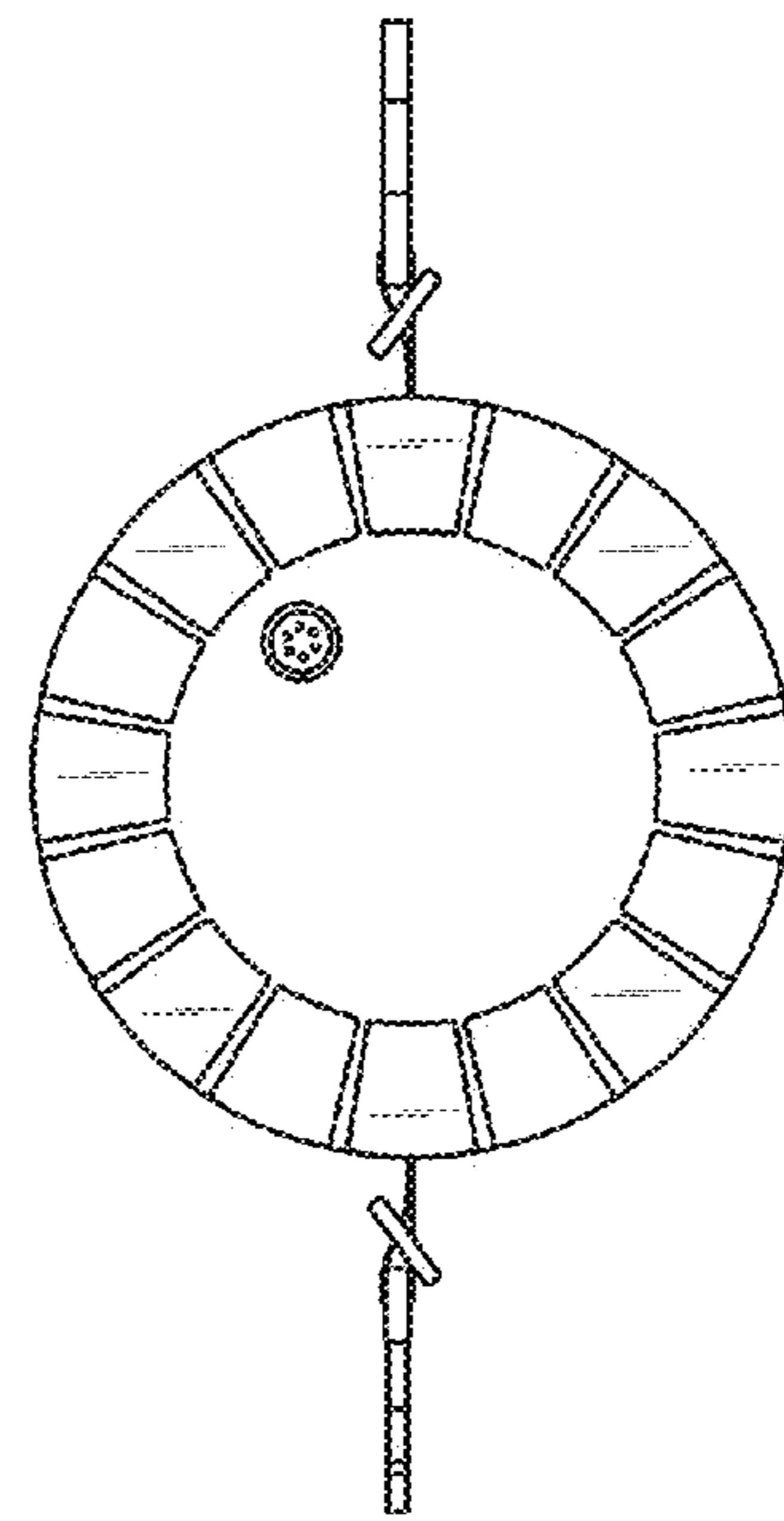


Fig. 4

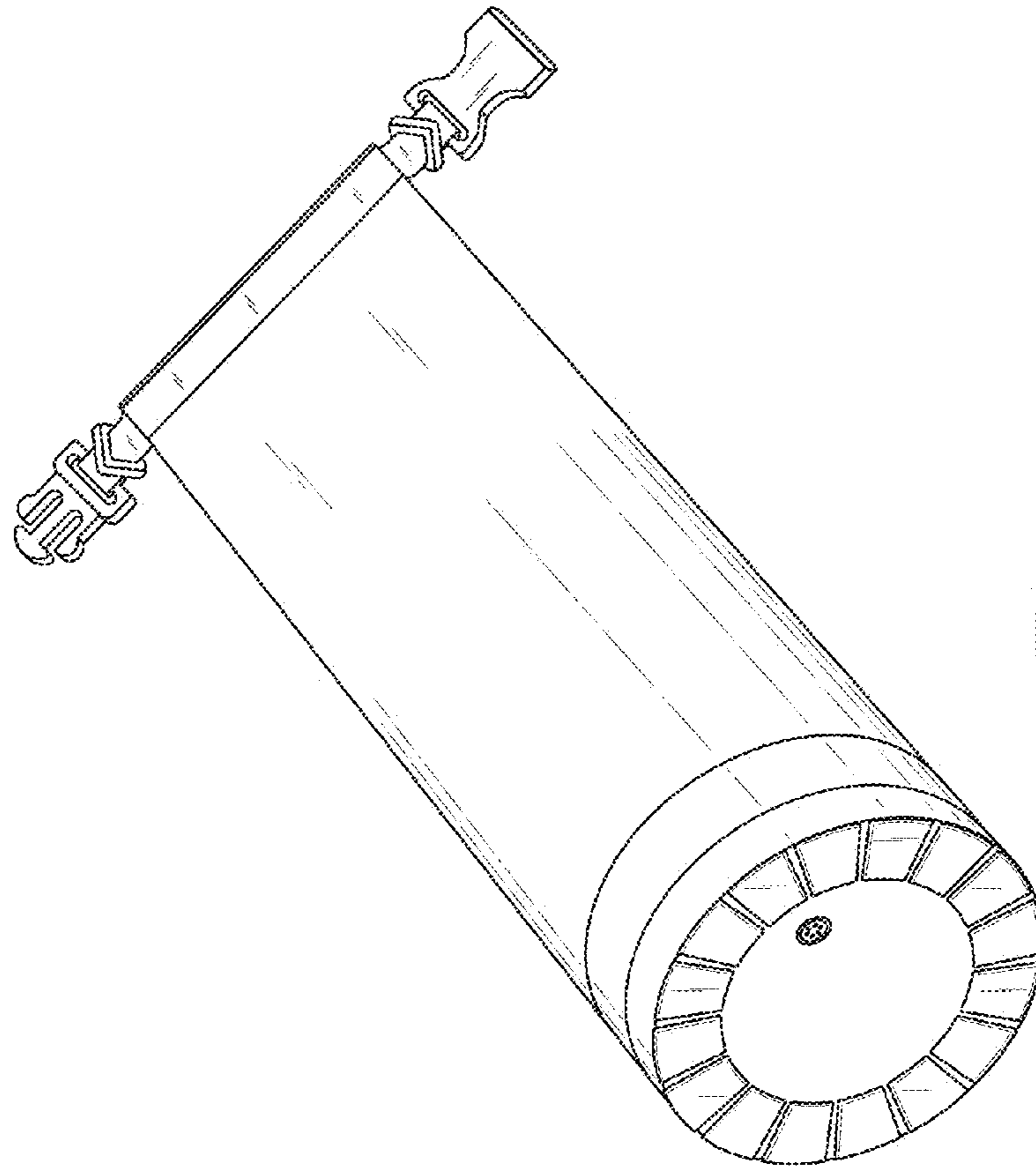


Fig. 5

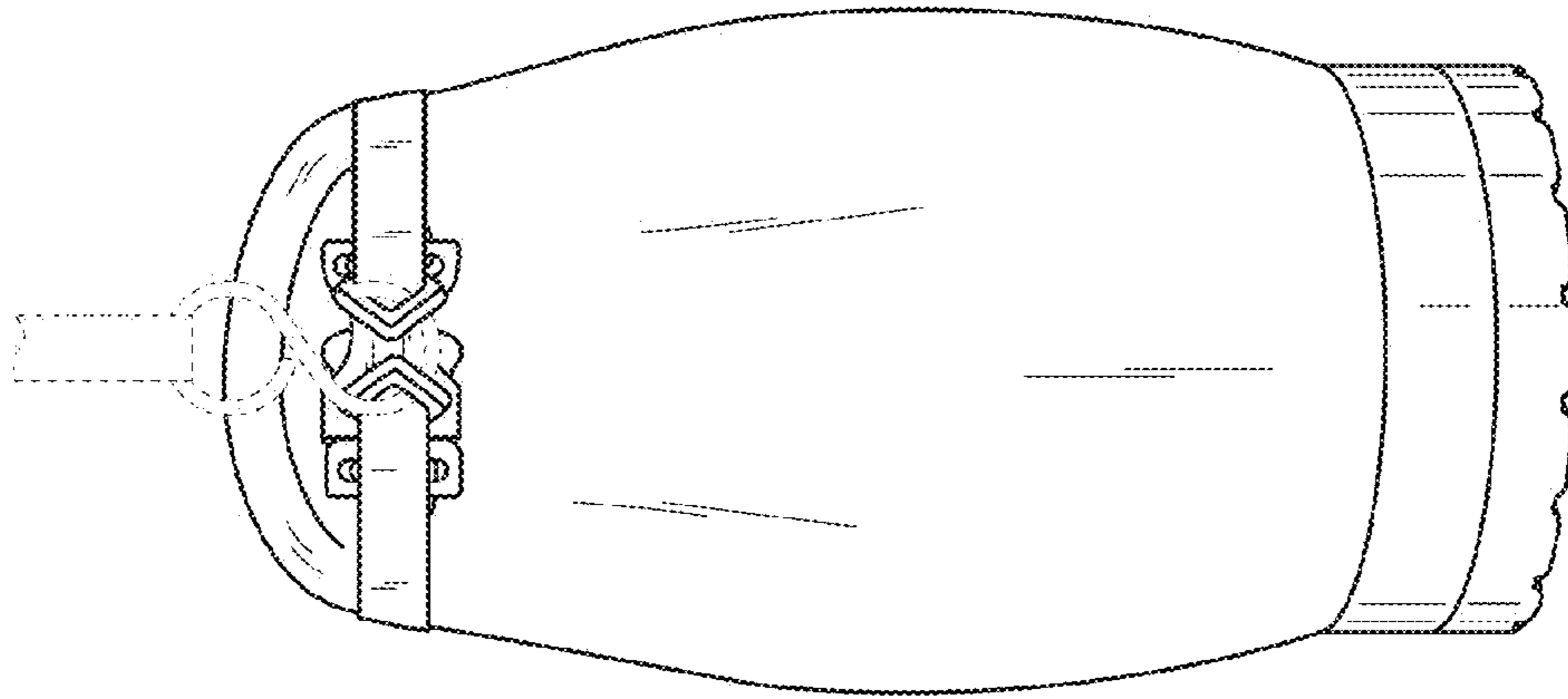


Fig. 6

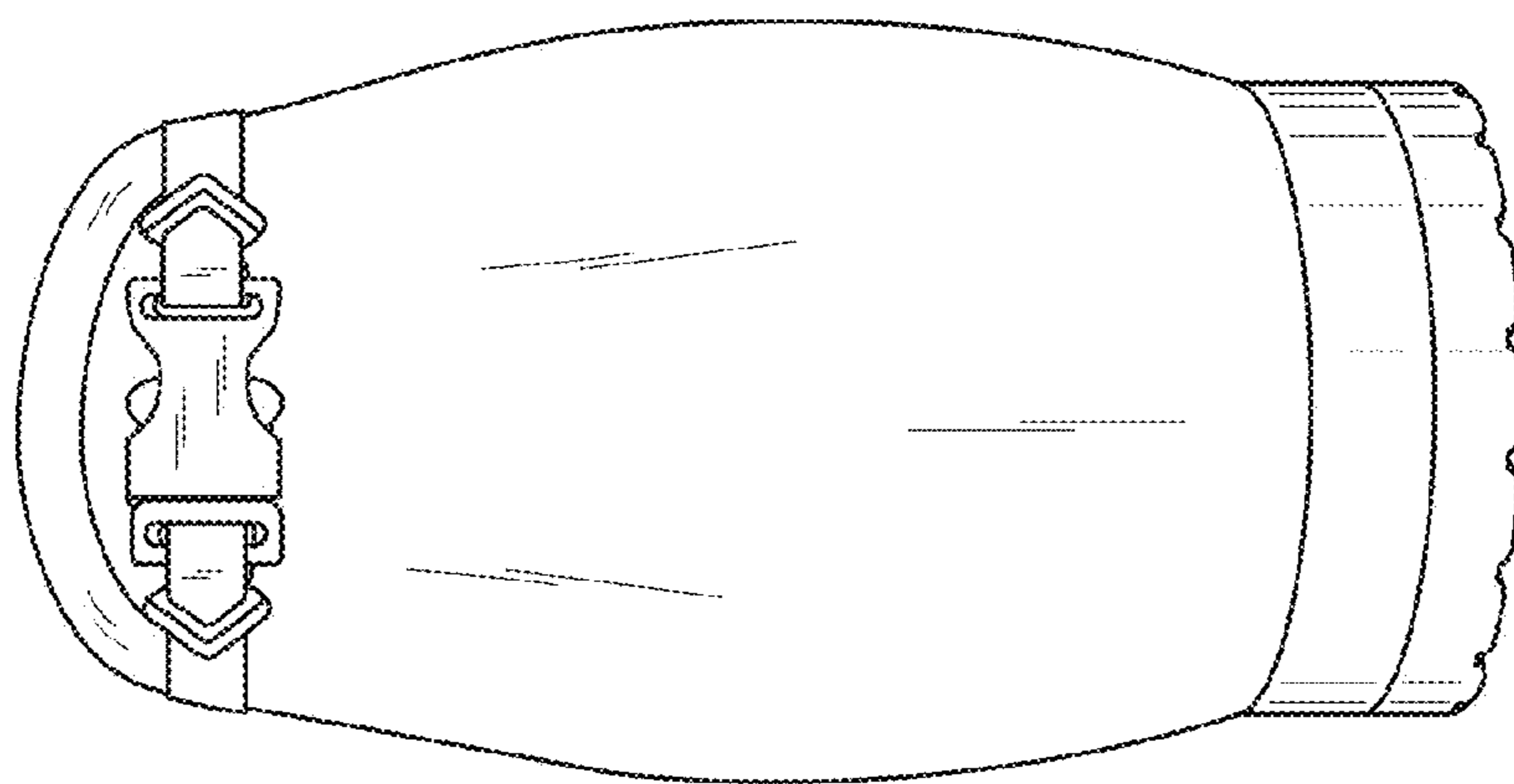


Fig. 7

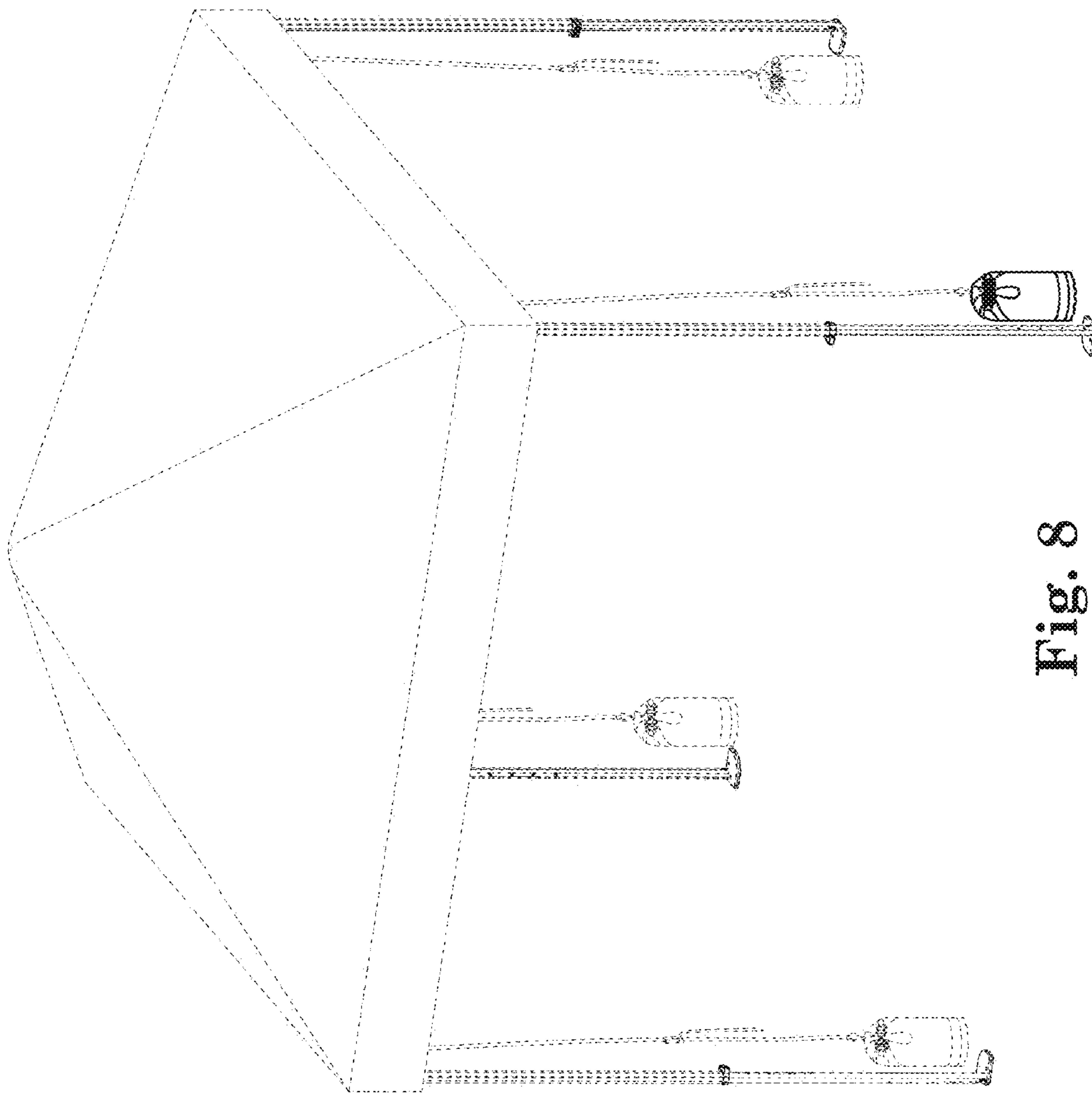


Fig. 8