

US00D729333S

(12) **United States Design Patent**  
**Arnold et al.**

(10) **Patent No.:** **US D729,333 S**  
(45) **Date of Patent:** **\*\* May 12, 2015**

(54) **NOODLE CAP**  
(75) Inventors: **Kent M. Arnold**, Cincinnati, OH (US);  
**Troy Cooksey**, Cincinnati, OH (US);  
**Bradley M. Ruff**, Bowling Green, OH (US)

(73) Assignee: **Broodle Brands, LLC**, Cincinnati, OH (US)

(\*\*) Term: **14 Years**

(21) Appl. No.: **29/412,993**

(22) Filed: **Feb. 9, 2012**

(51) **LOC (10) Cl.** ..... **21-02**

(52) **U.S. Cl.**  
USPC ..... **D21/803**

(58) **Field of Classification Search**  
USPC ..... D21/769-770, 801, 803, 809; 114/253,  
114/345-346; 441/35, 66, 74, 40-42,  
441/129-132; 472/128-129; D12/5, 6, 316;  
D9/453, 454

See application file for complete search history.

(56) **References Cited**

**U.S. PATENT DOCUMENTS**

2,154,346 A	4/1939	Mills
2,187,927 A	1/1940	Ayotte
2,272,867 A	2/1942	Cobel
D155,439 S	10/1949	Muller-Munk
2,538,684 A	1/1951	Gushard et al.
D202,511 S	10/1965	Ziskin
3,556,341 A	1/1971	Rains
3,642,122 A	2/1972	Von Ende
3,847,311 A	11/1974	Flores et al.
3,964,631 A	6/1976	Albert
3,972,443 A	8/1976	Albert
4,040,549 A	8/1977	Sadler
4,163,374 A	8/1979	Moore et al.
4,276,992 A	7/1981	Susich
4,303,173 A	12/1981	Nergard

D264,926 S	6/1982	McClelland
4,561,563 A	12/1985	Woods
4,615,463 A	10/1986	Price et al.
4,699,282 A	10/1987	Farrar
4,974,741 A	12/1990	Gustafson et al.
4,989,811 A	2/1991	Millis et al.
5,009,413 A *	4/1991	Allen ..... 472/128
5,036,993 A	8/1991	Ramsey
5,067,329 A	11/1991	Tomlinson
5,148,936 A	9/1992	DeGrow
5,169,016 A	12/1992	Hinz, Jr.
5,186,350 A	2/1993	McBride
5,222,623 A	6/1993	Eger et al.
D339,023 S	9/1993	De Coster
5,249,703 A	10/1993	Karp

(Continued)

**FOREIGN PATENT DOCUMENTS**

WO WO 2012/036966 9/2011

**OTHER PUBLICATIONS**

U.S. Appl. No. 14/516,140, filed Oct. 16, 2014, Arnold, et al.

(Continued)

*Primary Examiner* — Zenia Bennett

(74) *Attorney, Agent, or Firm* — Hasse & Nesbitt LLC; W. Charles Ehlers; Daniel F. Nesbitt

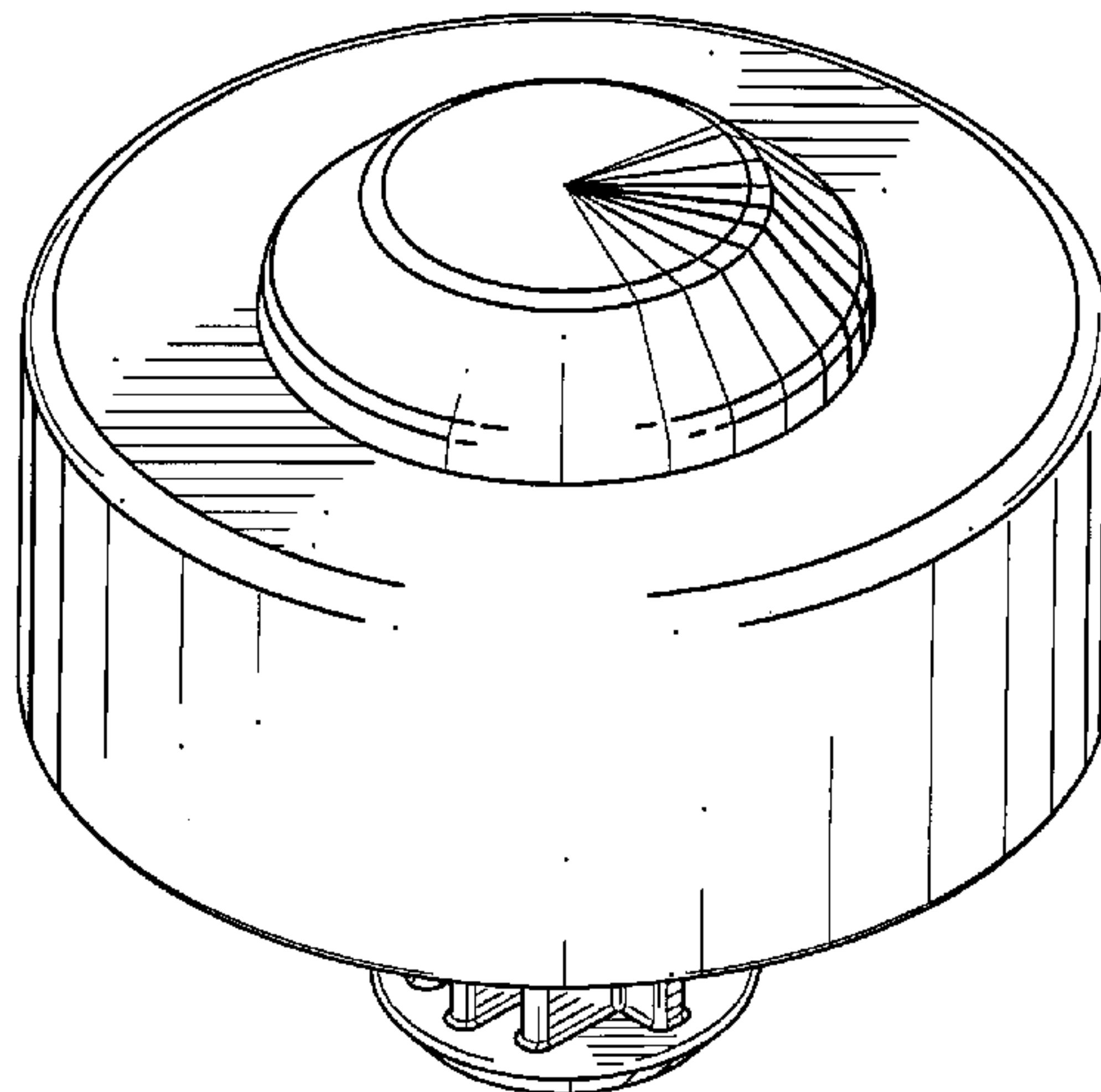
(57) **CLAIM**

We claim the ornamental design for a noodle cap, as shown and described.

**DESCRIPTION**

FIG. 1 is a perspective view of the noodle cap;  
FIG. 2 is a bottom left side perspective view thereof;  
FIG. 3 is a front elevation view thereof;  
FIG. 4 is a back side elevation view thereof;  
FIG. 5 is a top view thereof; and,  
FIG. 6 is a bottom view thereof.

**1 Claim, 6 Drawing Sheets**



(56)

References Cited

U.S. PATENT DOCUMENTS

5,294,014 A 3/1994 Wyatt et al.  
 5,307,950 A 5/1994 Li  
 5,465,891 A 11/1995 Bridges  
 5,477,980 A 12/1995 Chaffin  
 5,533,700 A 7/1996 Porter  
 5,653,124 A 8/1997 Weber  
 D388,489 S 12/1997 Sikorski  
 D388,490 S 12/1997 Sikorski  
 D392,845 S 3/1998 Lown et al.  
 5,740,940 A 4/1998 Weiss  
 D396,383 S 7/1998 Hanson  
 5,794,771 A 8/1998 Krawec et al.  
 D398,815 S 9/1998 Hatsumoto et al.  
 5,839,596 A 11/1998 Zahn et al.  
 D412,373 S 7/1999 Krawec et al.  
 5,918,761 A 7/1999 Wissinger  
 5,921,425 A 7/1999 Markey  
 D417,714 S 12/1999 Yeung  
 6,098,834 A 8/2000 Hatsumoto et al.  
 6,155,452 A 12/2000 Laurent  
 D448,995 S 10/2001 McDonald  
 6,305,656 B1 10/2001 Wemyss  
 6,352,166 B1 3/2002 Copeland  
 6,398,179 B1 6/2002 Soles  
 D462,875 S 9/2002 Norris et al.  
 6,557,717 B1 5/2003 Keck  
 6,616,493 B2 9/2003 Powell et al.  
 6,626,326 B2 9/2003 Murakami  
 D481,591 S 11/2003 Lin  
 D482,933 S 12/2003 Norris et al.  
 D483,615 S 12/2003 Norris et al.  
 6,763,964 B1 7/2004 Hurlbut et al.  
 6,790,112 B2 \* 9/2004 Kirk ..... 441/129  
 6,817,280 B2 11/2004 Hall et al.  
 D501,670 S 2/2005 Landi, Jr.  
 6,872,117 B1 \* 3/2005 Chen ..... 446/153  
 7,052,347 B2 \* 5/2006 Goldmeier ..... 441/129  
 D526,159 S 8/2006 Schmidt  
 D536,926 S 2/2007 Schreitmueller  
 D543,790 S 6/2007 Szymanski

D554,435 S 11/2007 Carreno et al.  
 7,318,762 B2 1/2008 Goldmeier  
 D562,623 S 2/2008 Nybakke  
 D563,168 S 3/2008 Gibbons et al.  
 7,513,380 B2 4/2009 Canedo  
 7,516,931 B2 4/2009 Sarullo  
 D593,790 S 6/2009 Lin  
 7,614,516 B2 11/2009 Beggins  
 D618,968 S \* 7/2010 Belden ..... D7/620  
 D621,208 S 8/2010 Gilbert et al.  
 D621,449 S \* 8/2010 Wong ..... D21/572  
 D621,450 S \* 8/2010 Wong ..... D21/572  
 D621,451 S \* 8/2010 Wong ..... D21/572  
 D621,452 S \* 8/2010 Wong ..... D21/572  
 D623,011 S 9/2010 Gilbert et al.  
 D657,633 S 4/2012 Butler  
 D661,581 S 6/2012 Kallenbach et al.  
 D677,118 S 3/2013 Rosenfeld  
 8,393,487 B1 3/2013 Pillers et al.  
 D686,883 S 7/2013 Arnold et al.  
 D688,092 S 8/2013 Arnold et al.  
 D688,094 S 8/2013 Arnold et al.  
 D690,988 S 10/2013 Audette  
 8,899,440 B2 12/2014 Arnold et al.  
 2005/0006386 A1 1/2005 Ronn et al.  
 2006/0283859 A1 12/2006 Lu  
 2009/0057324 A1 3/2009 Wu  
 2010/0102059 A1 4/2010 Ruse, Jr.  
 2010/0108703 A1 5/2010 French  
 2012/0068028 A1 3/2012 Arnold et al.  
 2014/0263382 A1 9/2014 Arnold

OTHER PUBLICATIONS

U.S. Appl. No. 29/464,590, filed Aug. 19, 2013, Arnold, et al.  
 U.S. Appl. No. 29/450,011, filed Mar. 15, 2013, Arnold  
 International Search Report and Written Opinion for corresponding International Application No. PCT/US2011/050814, dated Jun. 29, 2012 (8 pages).  
 International Preliminary Report on Patentability for corresponding International Application No. PCT/US2011/050814, dated Mar. 28, 2013 (5 pages).

\* cited by examiner

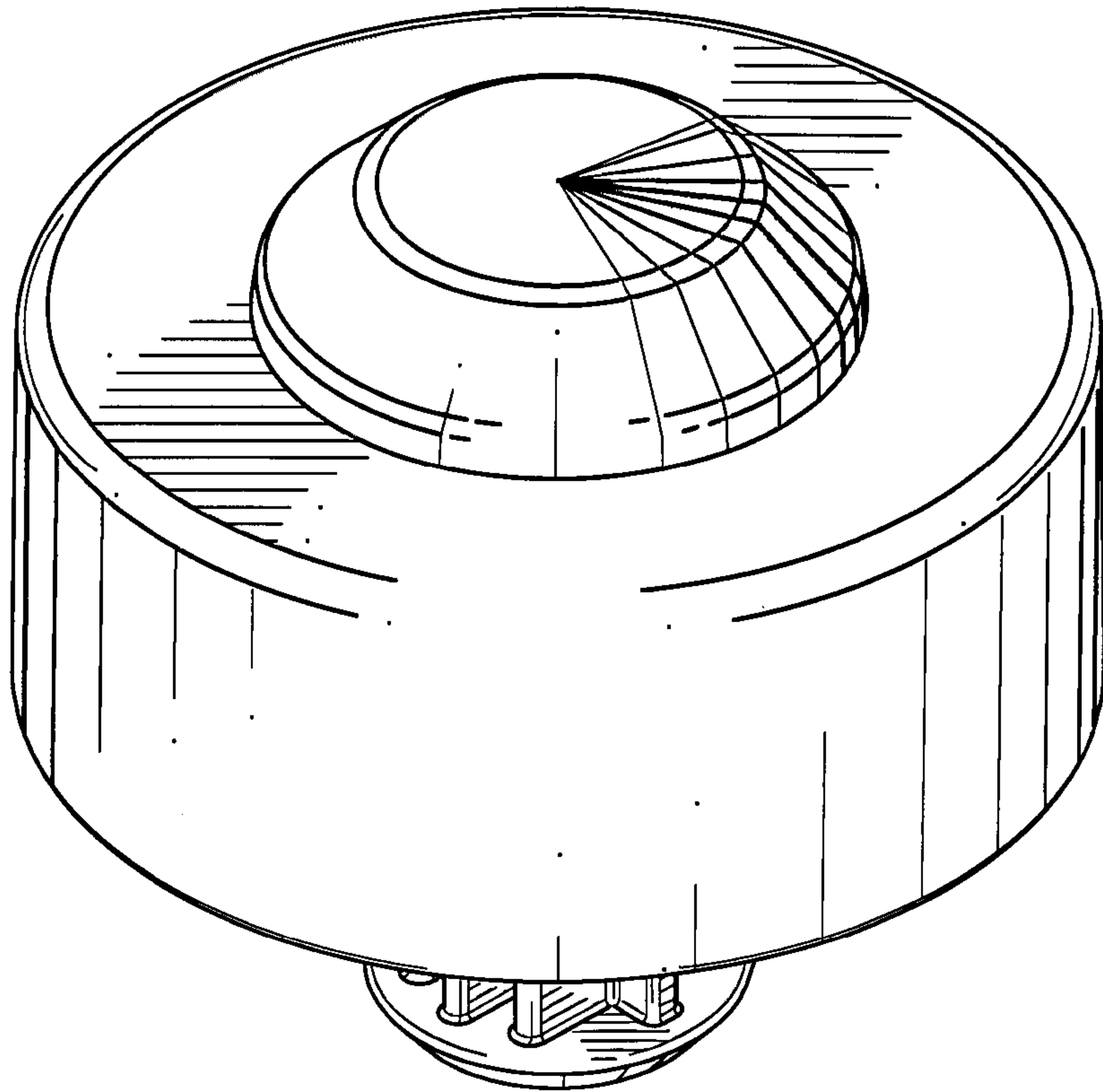


FIG. 1

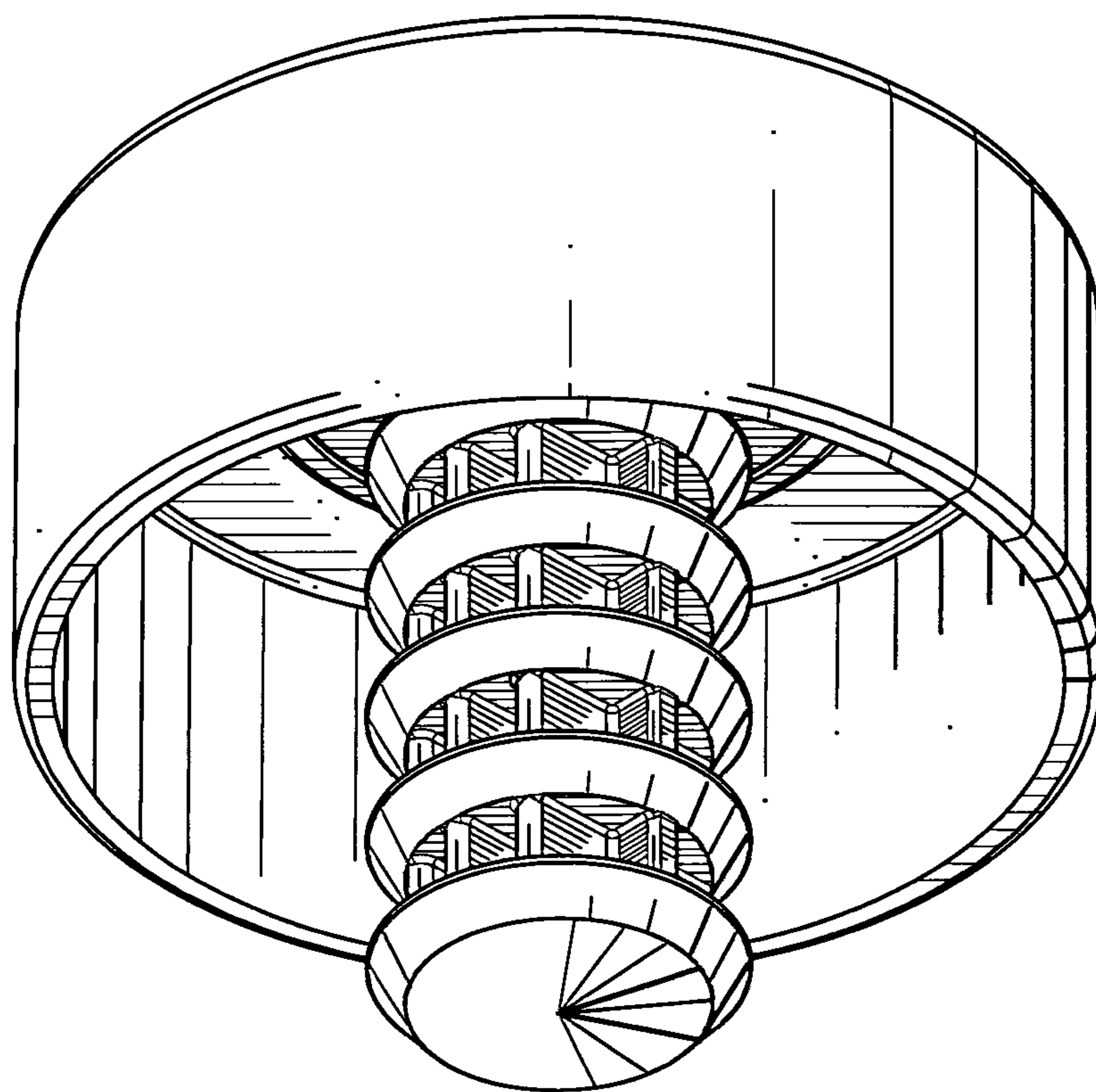


FIG. 2



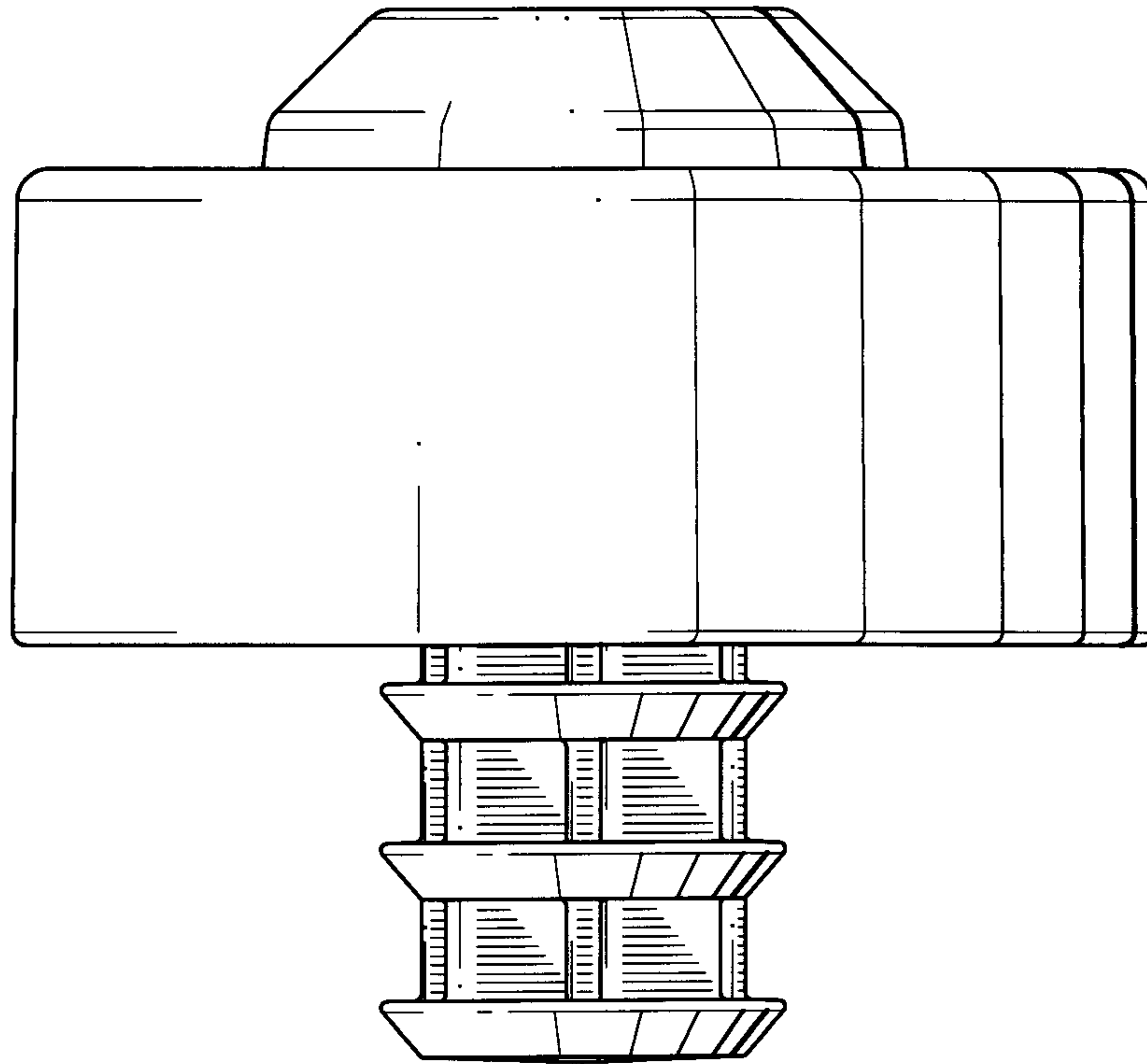


FIG. 3

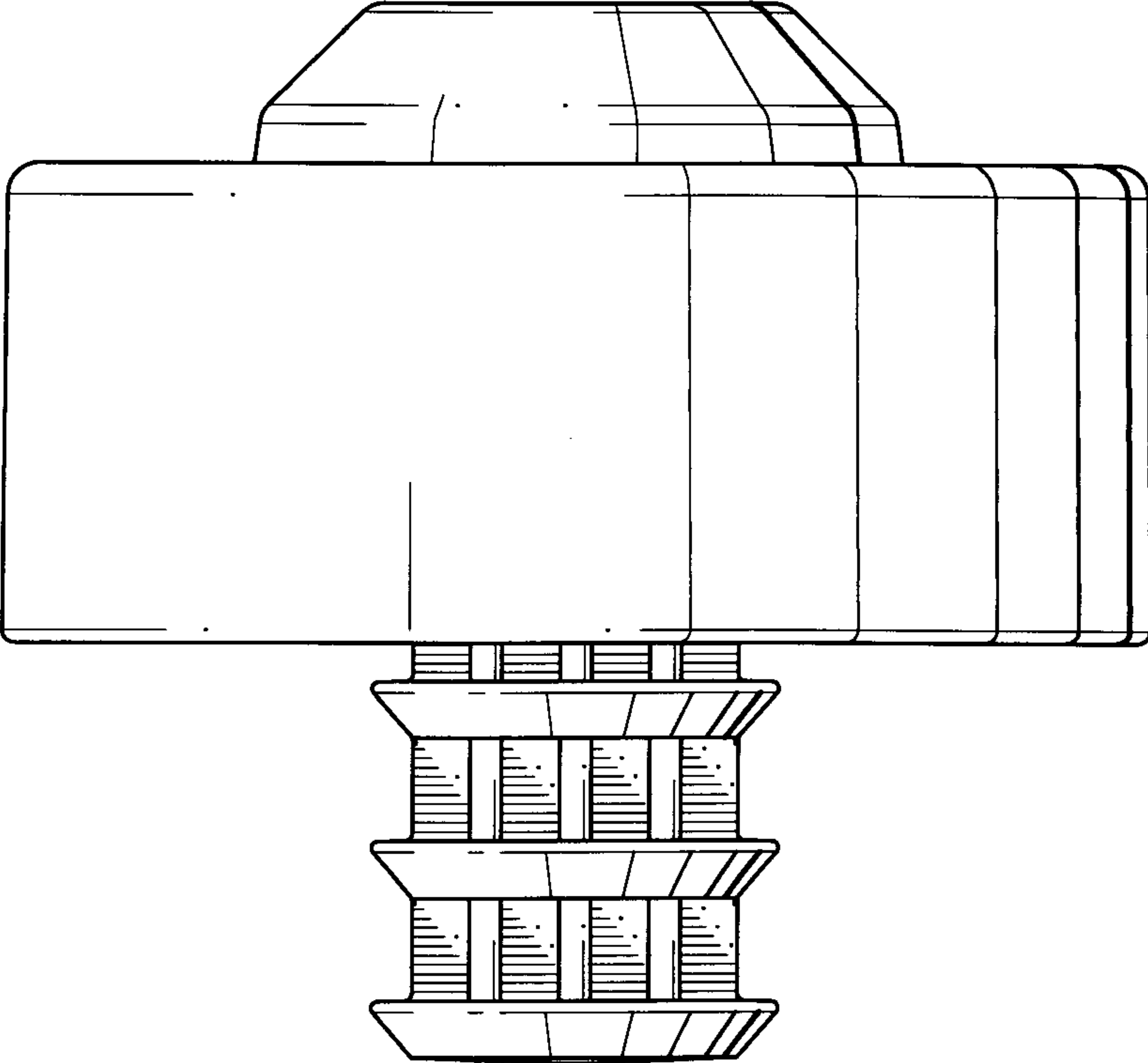


FIG. 4

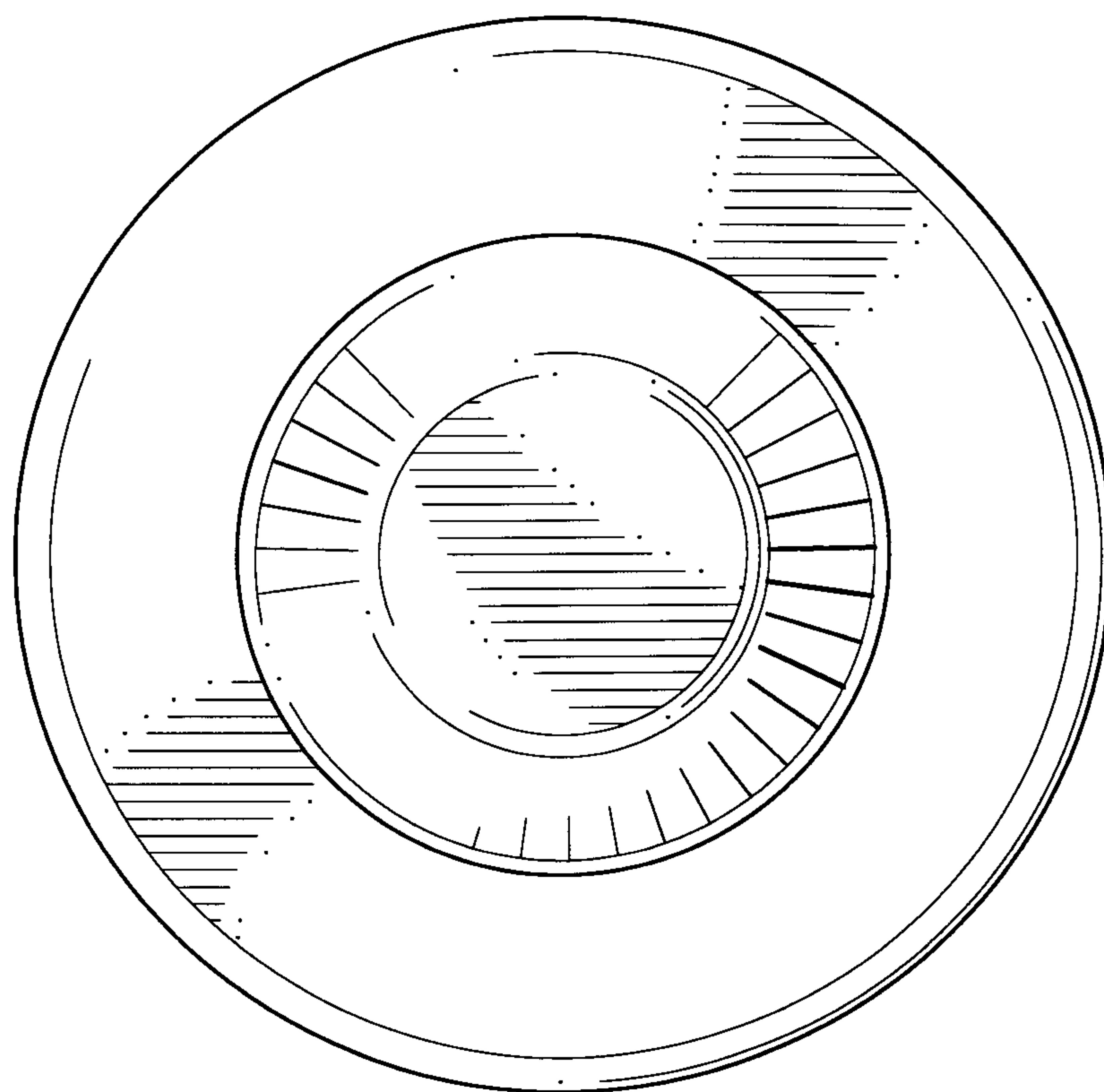


FIG. 5

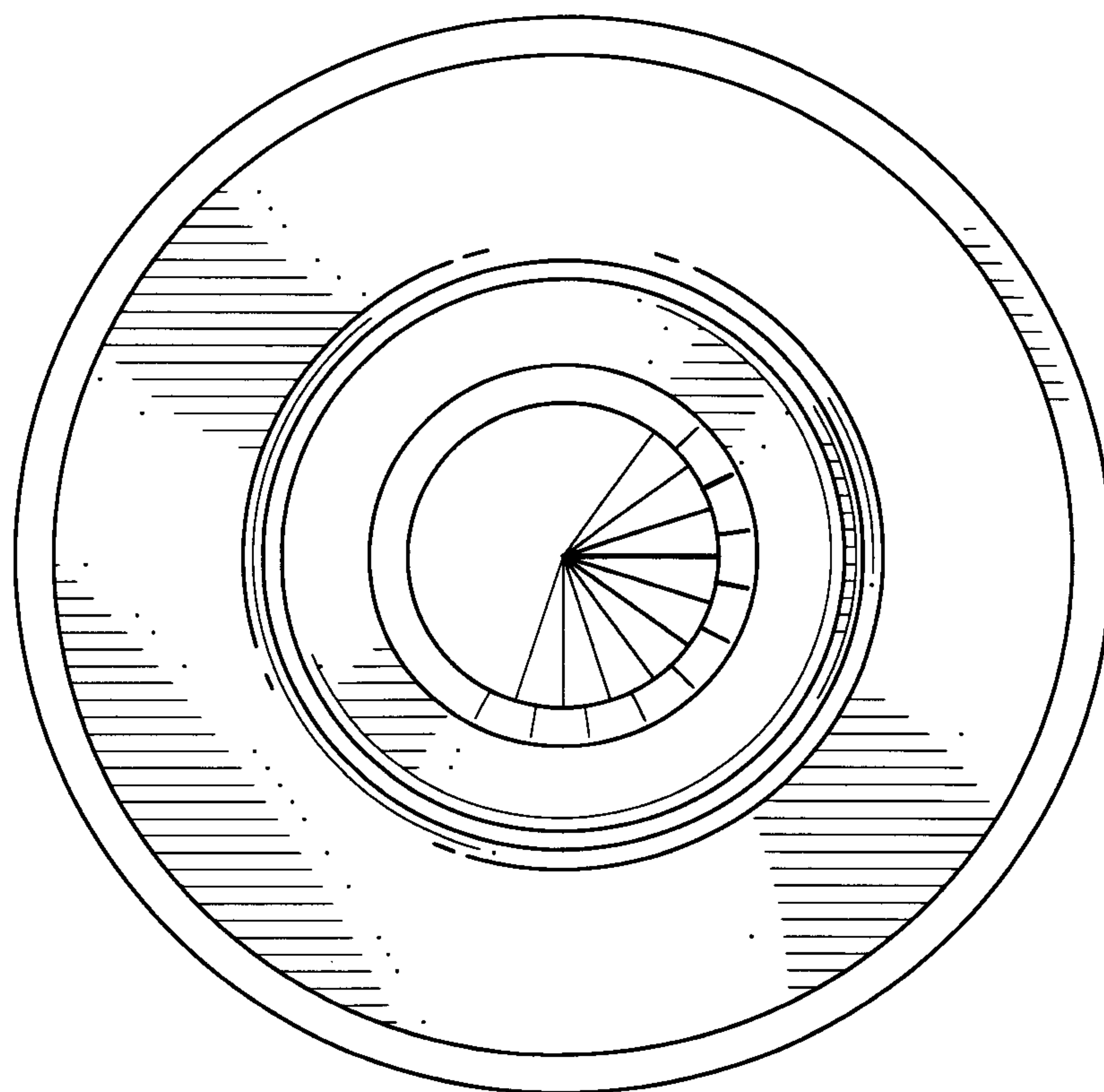


FIG. 6