



US00D729329S

(12) **United States Design Patent**
Williams

(10) **Patent No.:** **US D729,329 S**

(45) **Date of Patent:** **** May 12, 2015**

(54) **BALL THROWING TOY**

(71) Applicant: **OgoSport LLC**, Brooklyn, NY (US)

(72) Inventor: **Kevin Williams**, Sprakers, NY (US)

(73) Assignee: **OgoSport LLC**, Brooklyn, NY (US)

(**) Term: **14 Years**

(21) Appl. No.: **29/468,281**

(22) Filed: **Sep. 27, 2013**

(51) **LOC (10) Cl.** **21-02**

(52) **U.S. Cl.**
USPC **D21/722**

(58) **Field of Classification Search**

CPC F41B 3/00; F41B 3/04; A63B 65/12;
A63B 65/122; A63B 59/03; A01K 15/025;
A01K 39/014

USPC D21/570, 722; D30/160; 473/505-515;
24/3.12, 3.3, 336; 294/19.2; 124/5, 7,
124/41.1, 4

See application file for complete search history.

(56) **References Cited**

U.S. PATENT DOCUMENTS

4,974,574	A *	12/1990	Cutlip	124/5
5,390,652	A *	2/1995	Minneman et al.	124/5
D637,248	S *	5/2011	Levin et al.	D21/722
D674,851	S *	1/2013	Osborne et al.	D21/722
8,418,681	B2 *	4/2013	Levin et al.	124/5
8,857,419	B2 *	10/2014	Hansen	124/5
2005/0143202	A1 *	6/2005	Orlowski et al.	473/509
2012/0006309	A1 *	1/2012	Levin et al.	124/5
2012/0048251	A1 *	3/2012	Oblack et al.	124/5
2012/0227721	A1 *	9/2012	Geller	124/5

* cited by examiner

Primary Examiner — Cynthia M Chin

(74) *Attorney, Agent, or Firm* — Kane Kessler, P.C.; Barry E. Negrin

(57) **CLAIM**

The ornamental design for a ball throwing toy, as shown and described.

DESCRIPTION

FIG. 1 is a left elevational view of a ball throwing toy, showing my new design, illustrated in a collapsed configuration.

FIG. 2 is a right elevational view of the ball throwing toy of FIG. 1, illustrated in a collapsed configuration.

FIG. 3 is a bottom plan view of the ball throwing toy of FIG. 1, illustrated in a collapsed configuration.

FIG. 4 is a top plan view of the ball throwing toy of FIG. 1, illustrated in a collapsed configuration.

FIG. 5 is a front elevational view of the ball throwing toy of FIG. 1, illustrated in a collapsed configuration.

FIG. 6 is a rear elevational view of the ball throwing toy of FIG. 1, illustrated in a collapsed configuration.

FIG. 7 is a left elevational view of the ball throwing toy of FIG. 1, illustrated in an extended configuration.

FIG. 8 is a right elevational view of the ball throwing toy of FIG. 1, illustrated in an extended configuration.

FIG. 9 is a bottom plan view of the ball throwing toy of FIG. 1, illustrated in an extended configuration.

FIG. 10 is a top plan view of the ball throwing toy of FIG. 1, illustrated in an extended configuration.

FIG. 11 is a front elevational view of the ball throwing toy of FIG. 1, illustrated in an extended configuration.

FIG. 12 is a rear elevational view of the ball throwing toy of FIG. 1, illustrated in an extended configuration.

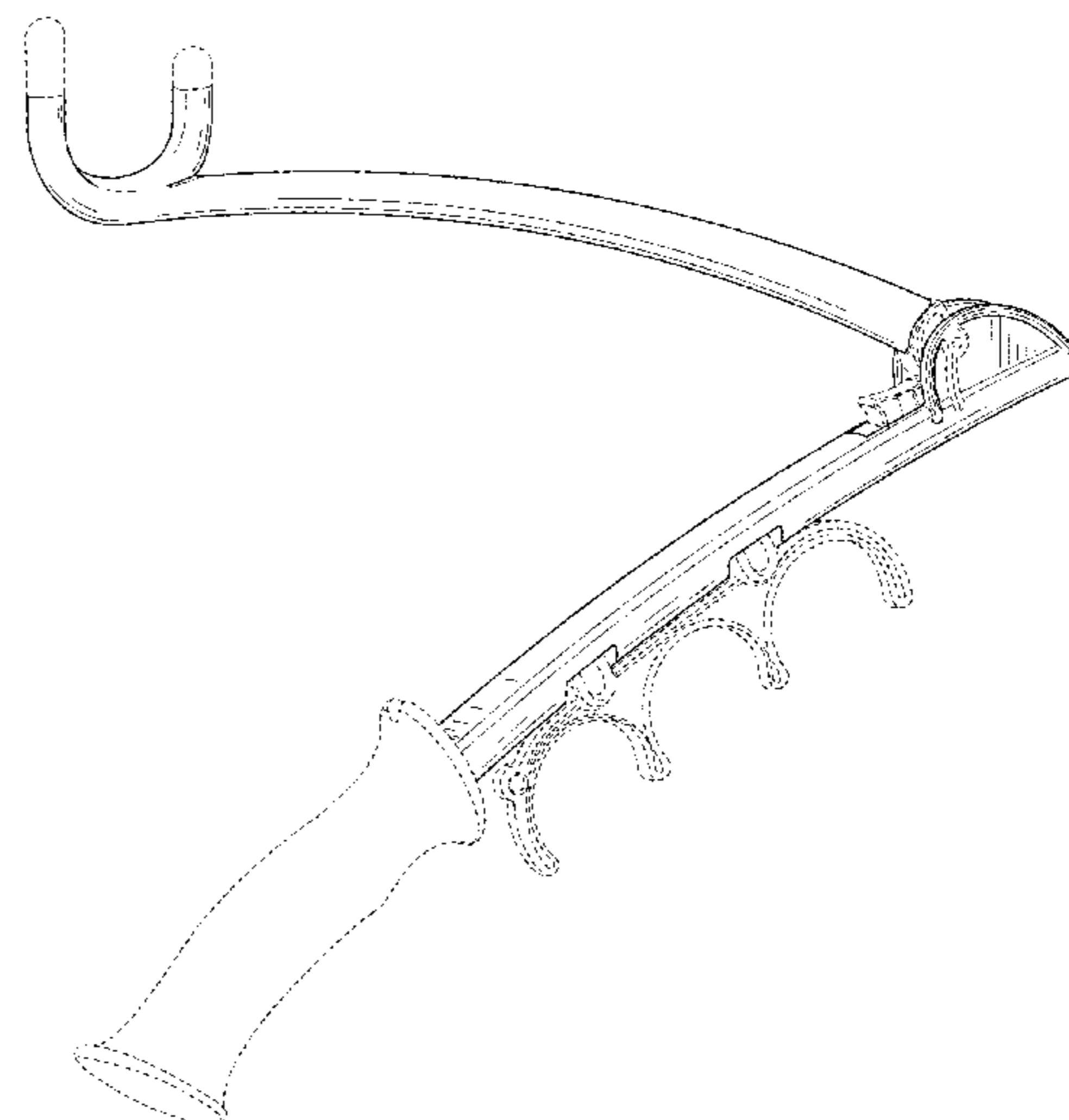
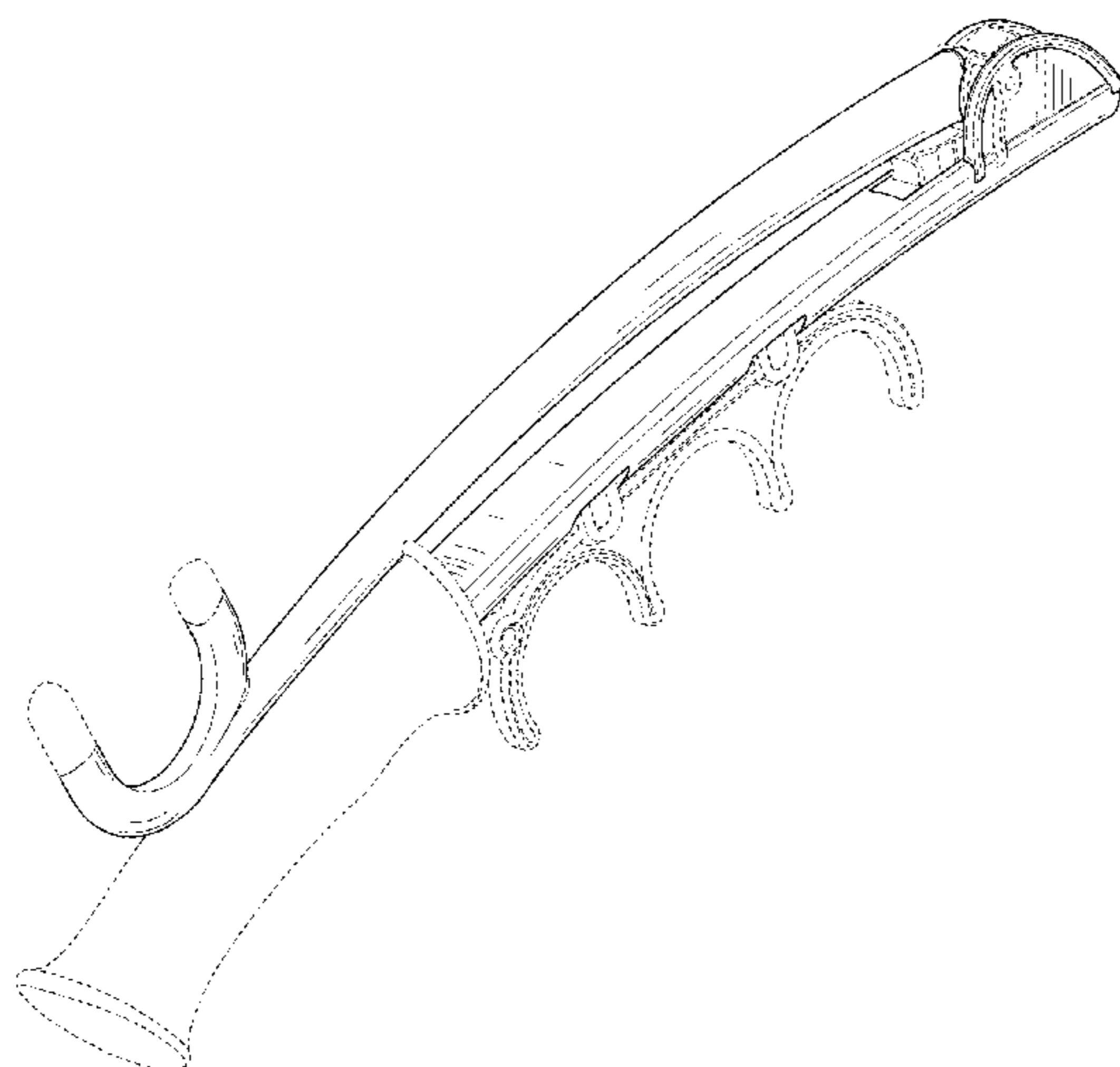
FIG. 13 is a perspective view of the ball throwing toy of FIG. 1, illustrated in a collapsed configuration.

FIG. 14 is a perspective view of the ball throwing toy of FIG. 1, illustrated in a throwing configuration; and,

FIG. 15 is a perspective view of the ball throwing toy of FIG. 1, illustrated in an extended configuration.

The portions of the drawings that are shown in dashed lines are environmental elements and are not part of the claimed design.

1 Claim, 11 Drawing Sheets



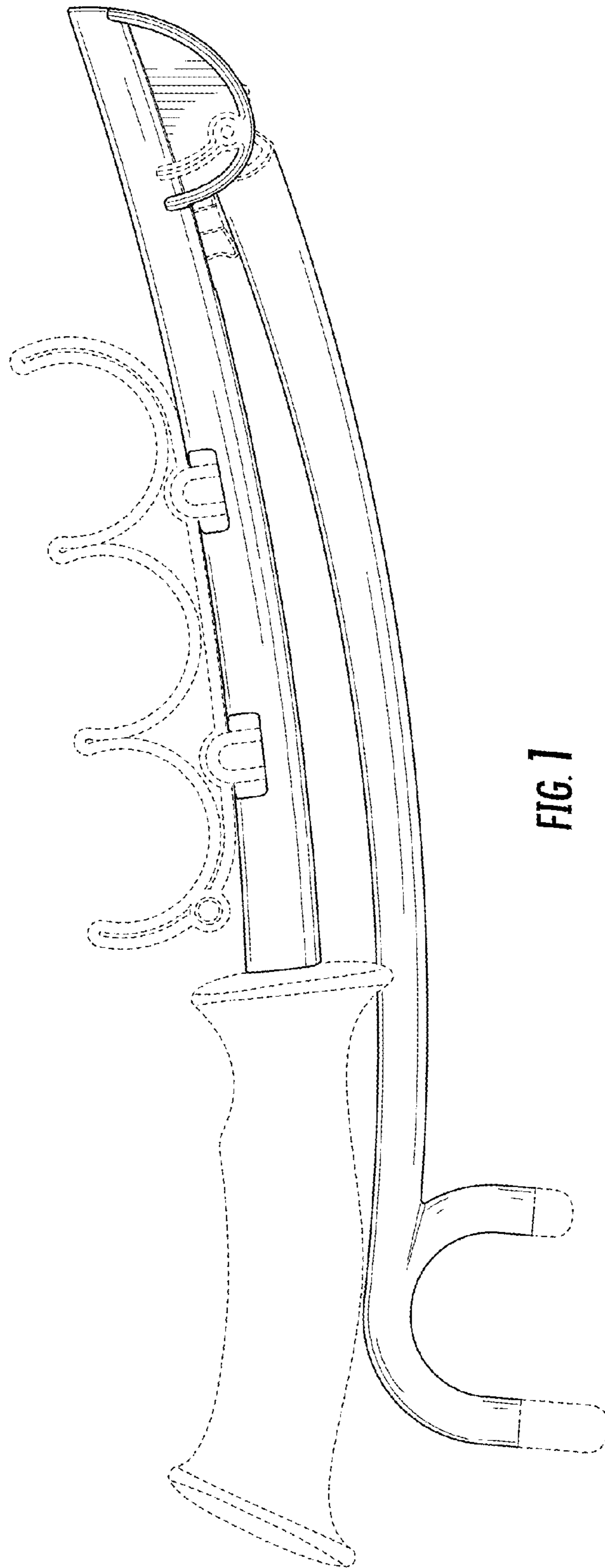


FIG. 1

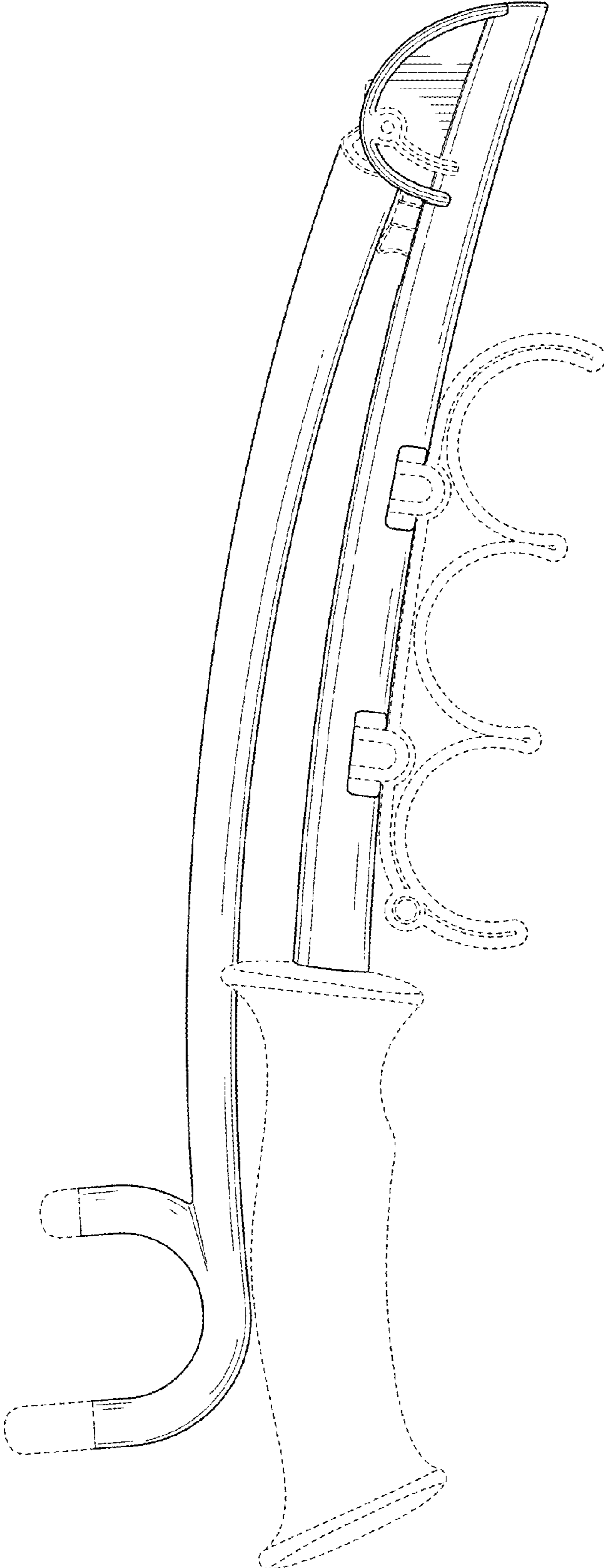


FIG. 2

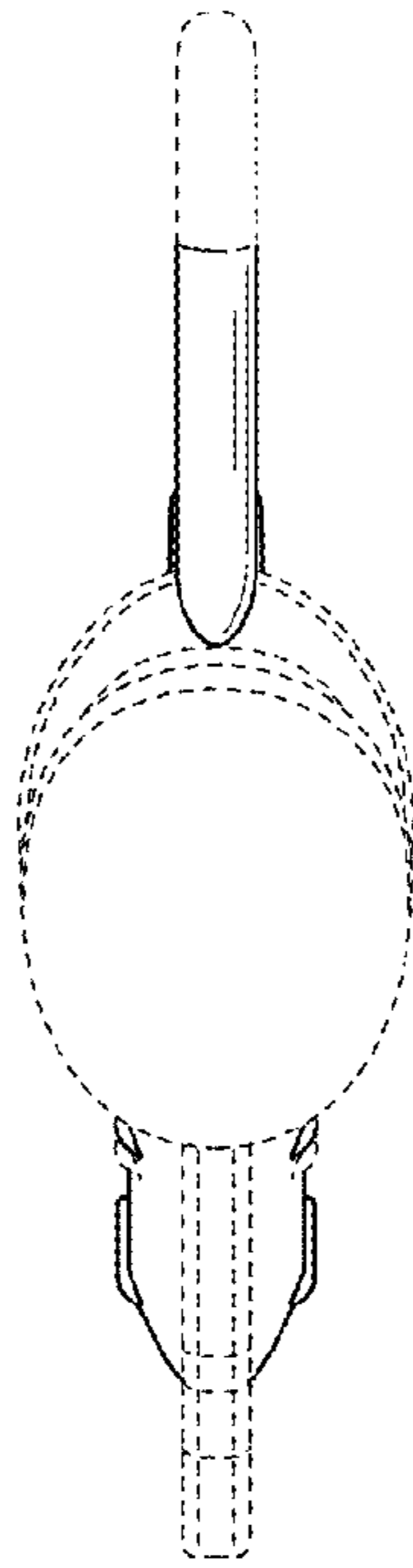


FIG. 3

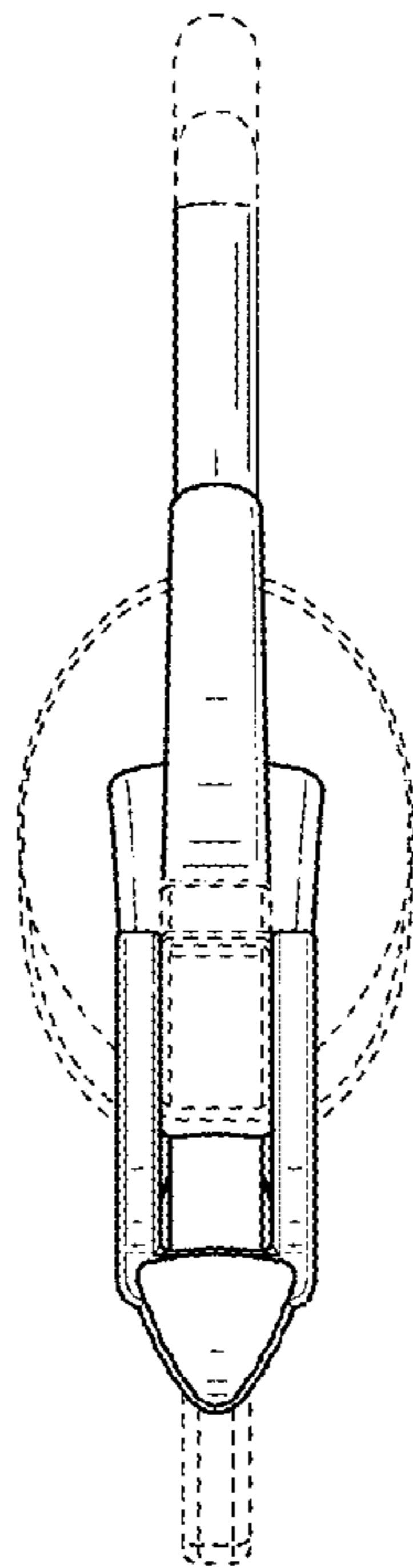


FIG. 4

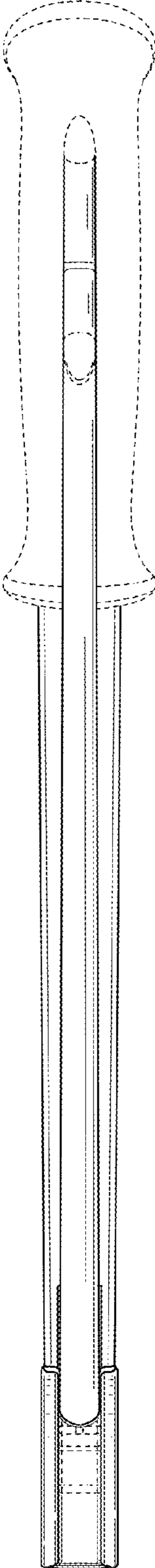


FIG. 5

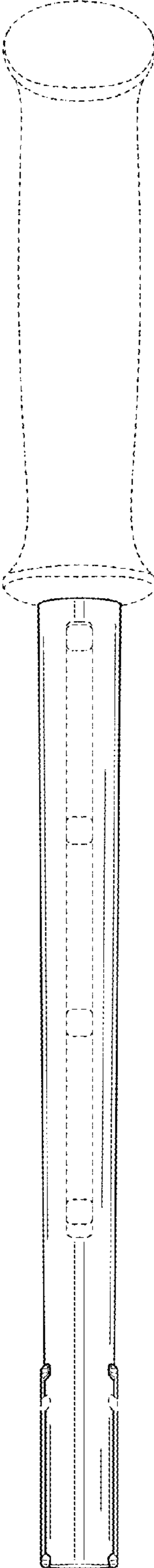


FIG. 6

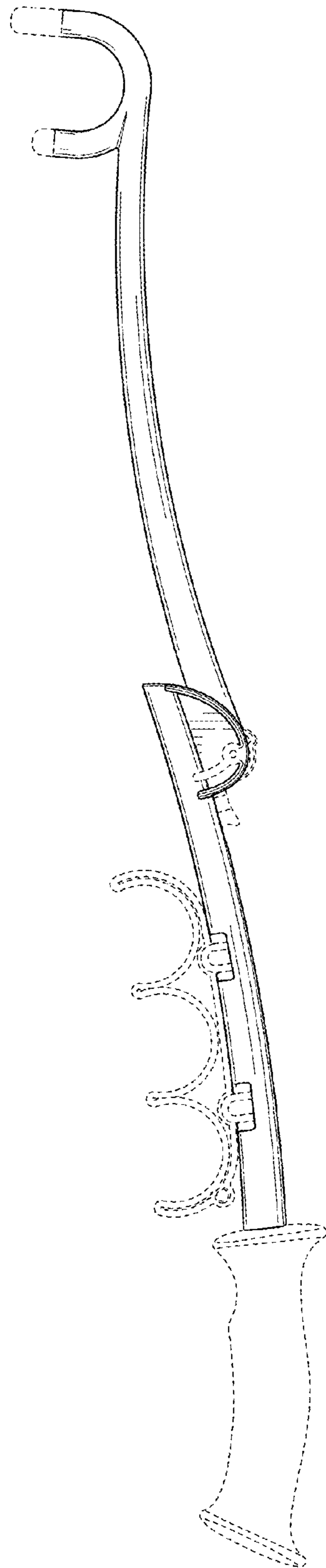


FIG. 7

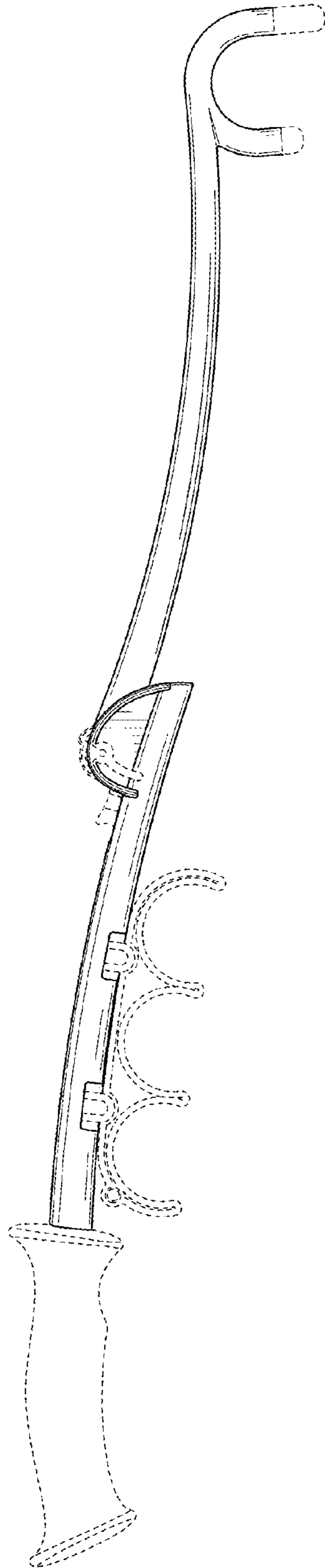


FIG. 8

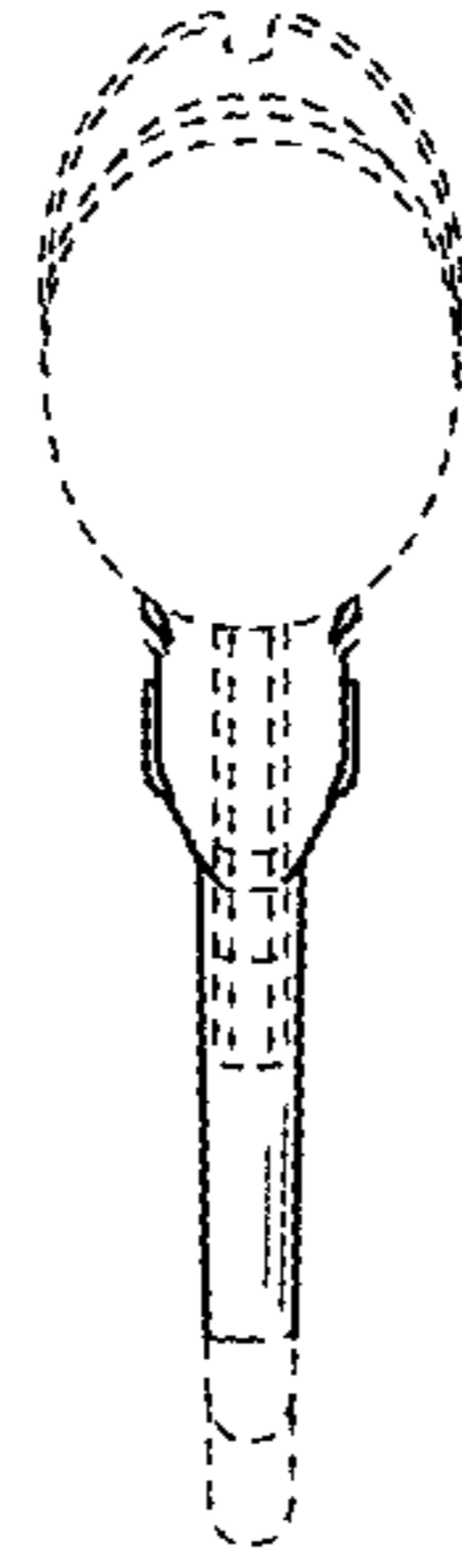


FIG. 9

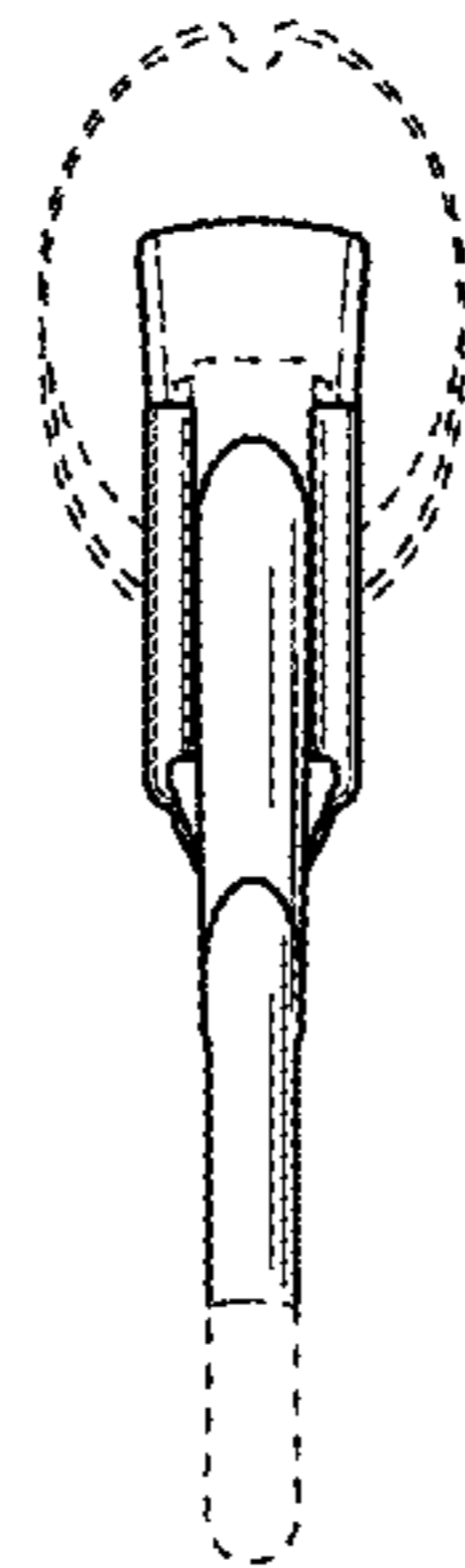


FIG. 10

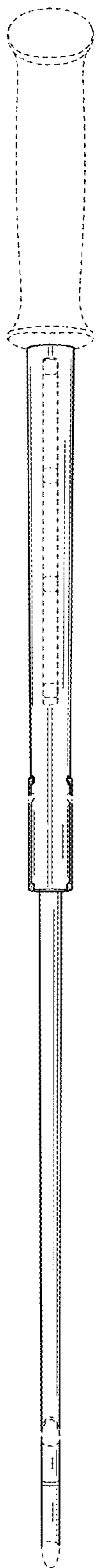


FIG. 11

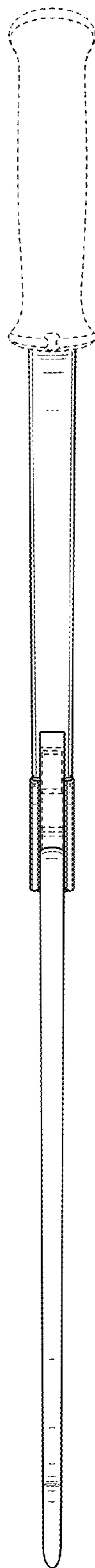


FIG. 12

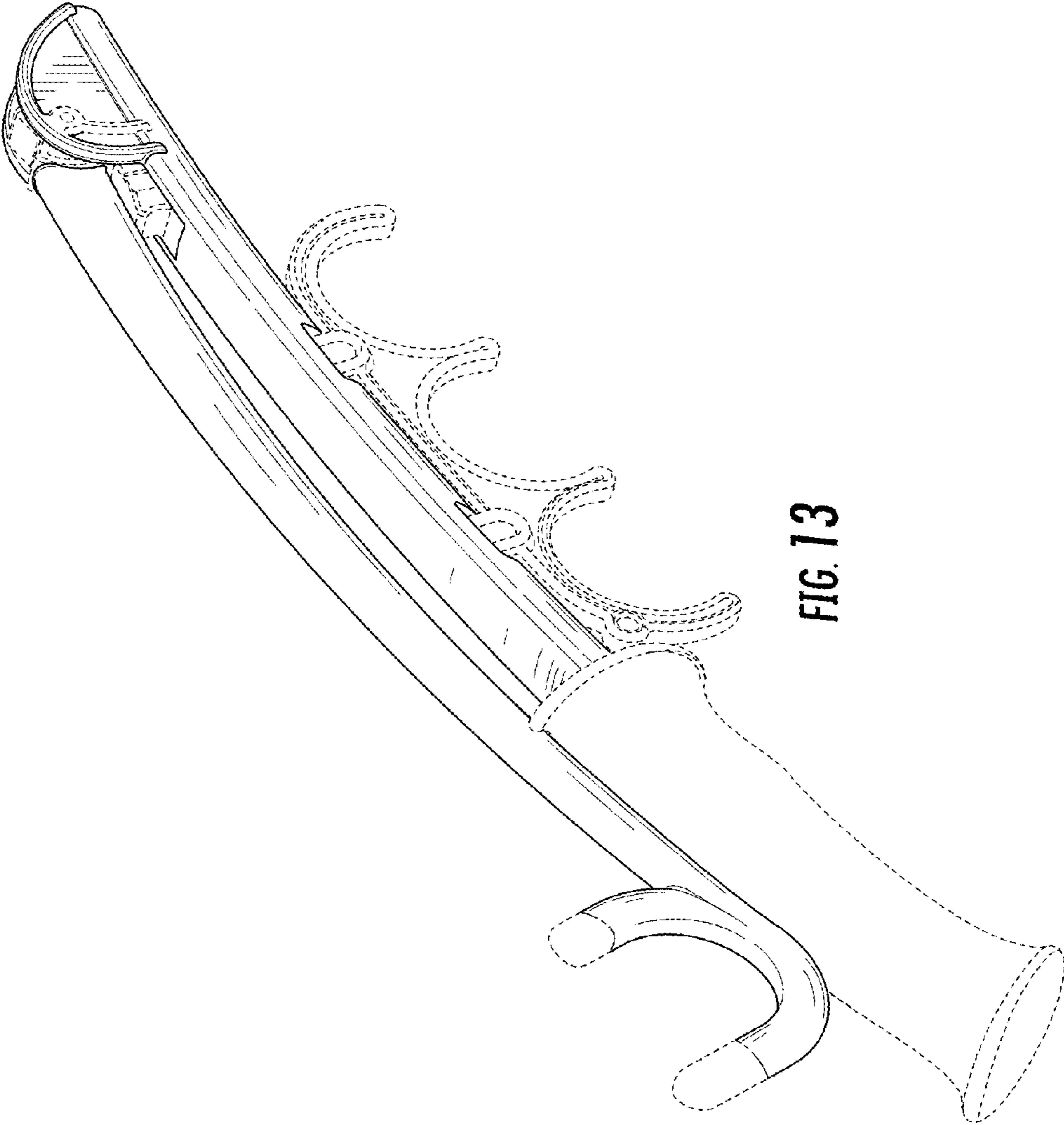


FIG. 13

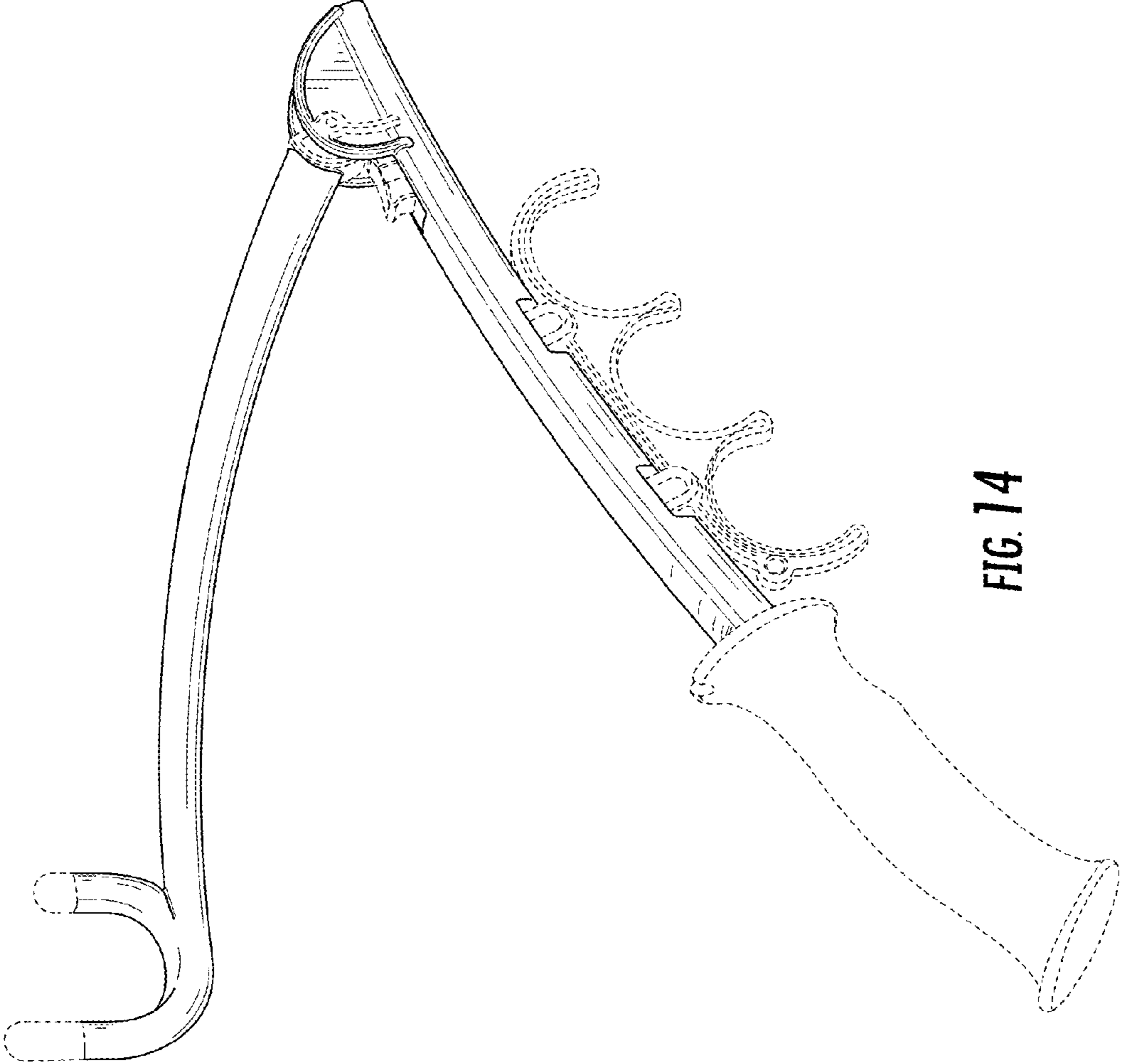


FIG. 14

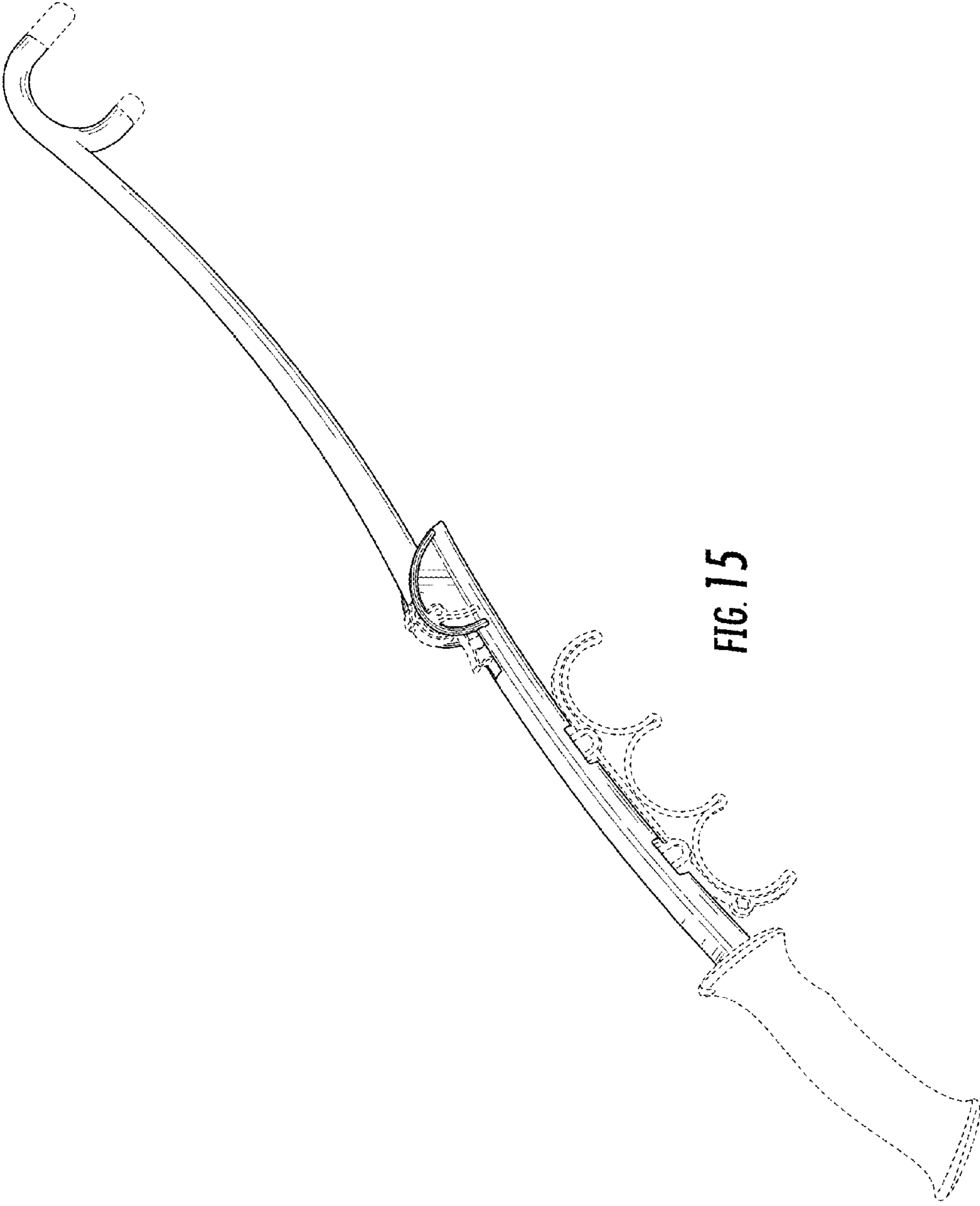


FIG. 15