



US00D729324S

(12) **United States Design Patent**
Chaney

(10) **Patent No.:** **US D729,324 S**
(45) **Date of Patent:** **** May 12, 2015**

- (54) **PUZZLE**
 - (71) Applicant: **Cody Rose Wallace**, Austin, TX (US)
 - (72) Inventor: **John Chaney**, Plano, TX (US)
 - (73) Assignee: **Cody Rose Wallace**, Austin, TX (US)
 - (**) Term: **14 Years**
 - (21) Appl. No.: **29/490,247**
 - (22) Filed: **May 8, 2014**
 - (51) **LOC (10) Cl.** **21-01**
 - (52) **U.S. Cl.**
USPC **D21/478**
 - (58) **Field of Classification Search**
USPC D21/478-482, 300, 334, 365, 385, 468,
D21/336, 337, 346, 397, 398, 399, 404, 455,
D21/465-467, 470, 475, 476, 485, 585, 586,
D21/589, 590, 591, 594, 658; 273/281, 287,
273/153 R, 158, 159, 153 S; D6/329, 349,
D6/672, 673, 675, 682, 708, 715;
D11/131, 157-164
- See application file for complete search history.

3,997,168	A	*	12/1976	Paige	273/159
4,512,582	A	*	4/1985	Dallaire et al.	273/158
D286,390	S	*	10/1986	Groce	D11/157
D305,784	S	*	1/1990	Bertagnoli	D21/482
4,907,805	A	*	3/1990	Watkins et al.	273/158
D338,506	S	*	8/1993	Lee	D21/482
2005/0093234	A1	*	5/2005	Cooke et al.	273/158

FOREIGN PATENT DOCUMENTS

JP	D1274070	*	6/2006
WO	D069717-010	*	3/2008

* cited by examiner

Primary Examiner — Catherine Tuttle

(74) *Attorney, Agent, or Firm* — Howison & Arnott, LLP

(57) **CLAIM**

The ornamental design for a puzzle, as shown and described.

DESCRIPTION

FIG. 1 is a left perspective view of a puzzle showing the new design;
 FIG. 2 is a front view thereof;
 FIG. 3 is a rear view thereof;
 FIG. 4 is a right side view thereof;
 FIG. 5 is a left side view thereof;
 FIG. 6 is a top view thereof; and,
 FIG. 7 is a bottom view thereof.

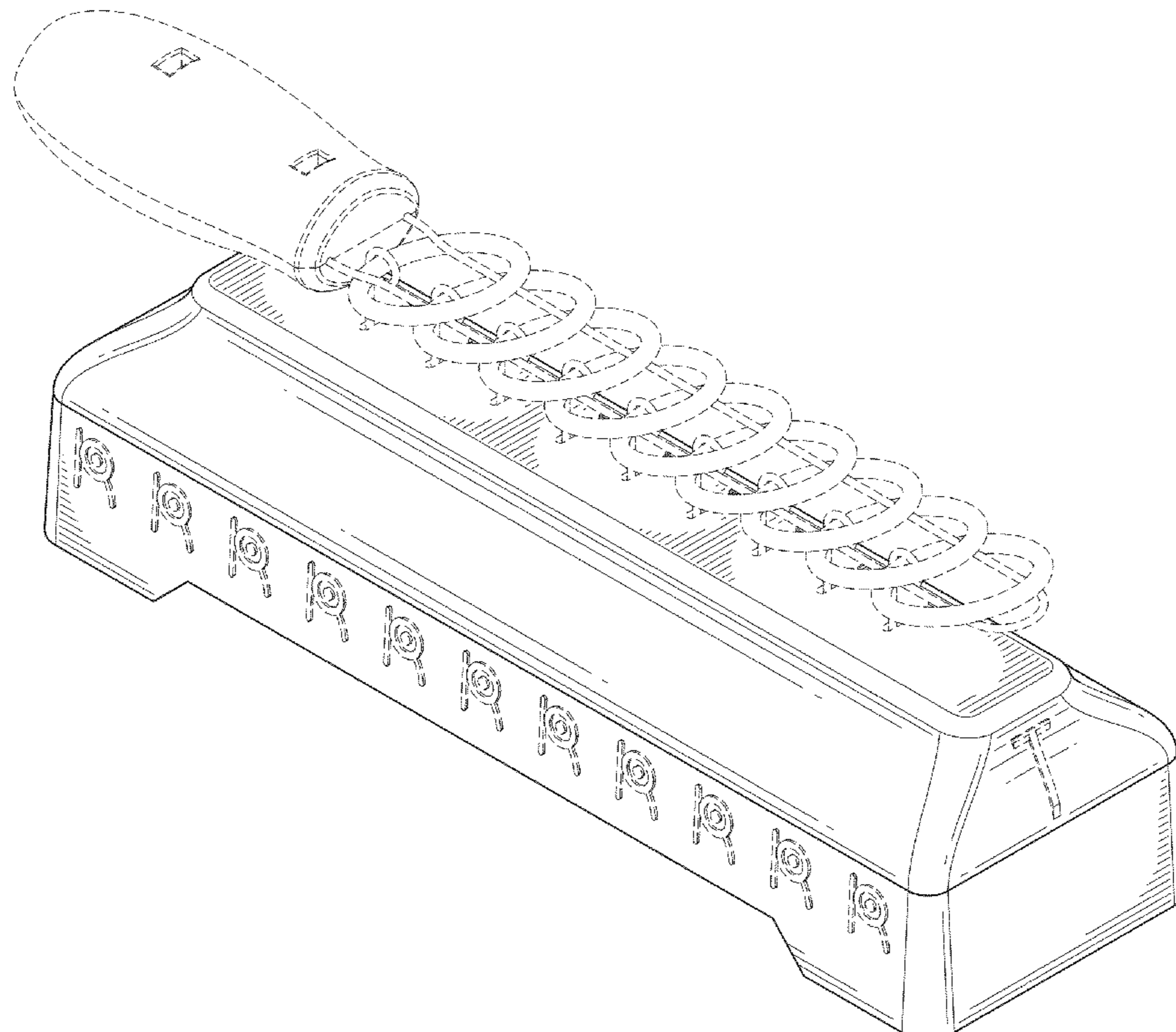
The broken lines are included for the purpose of illustrating the portions of the puzzle that form no part of the claimed design.

1 Claim, 4 Drawing Sheets

(56) **References Cited**

U.S. PATENT DOCUMENTS

D136,622	S	*	11/1943	Davis	D21/481
D161,229	S	*	12/1950	Wilner	D21/590
D226,017	S	*	1/1973	Graham et al.	D21/482
3,806,398	A	*	4/1974	Lasser	428/67
D240,544	S	*	7/1976	Howard	D21/540



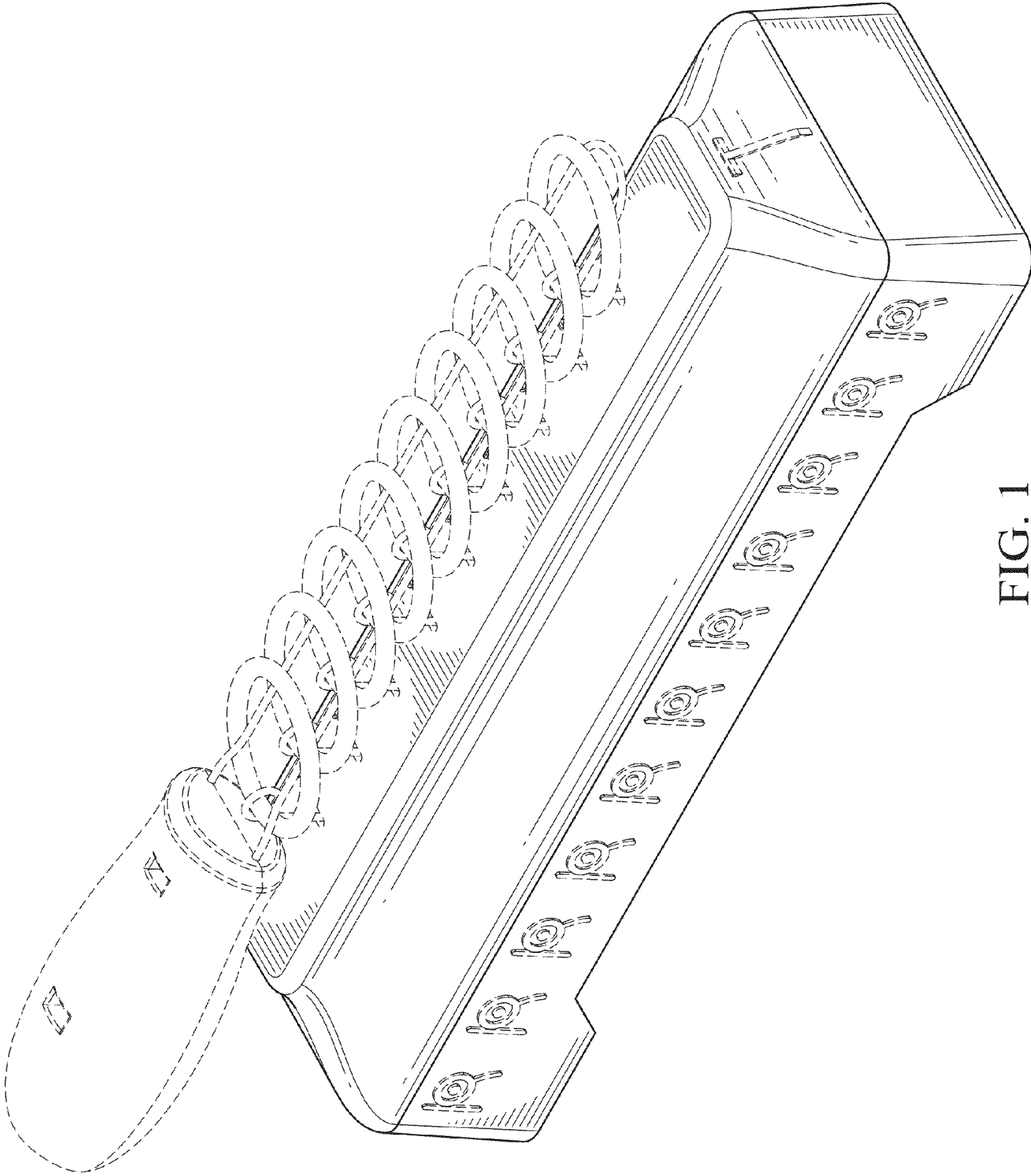


FIG. 1

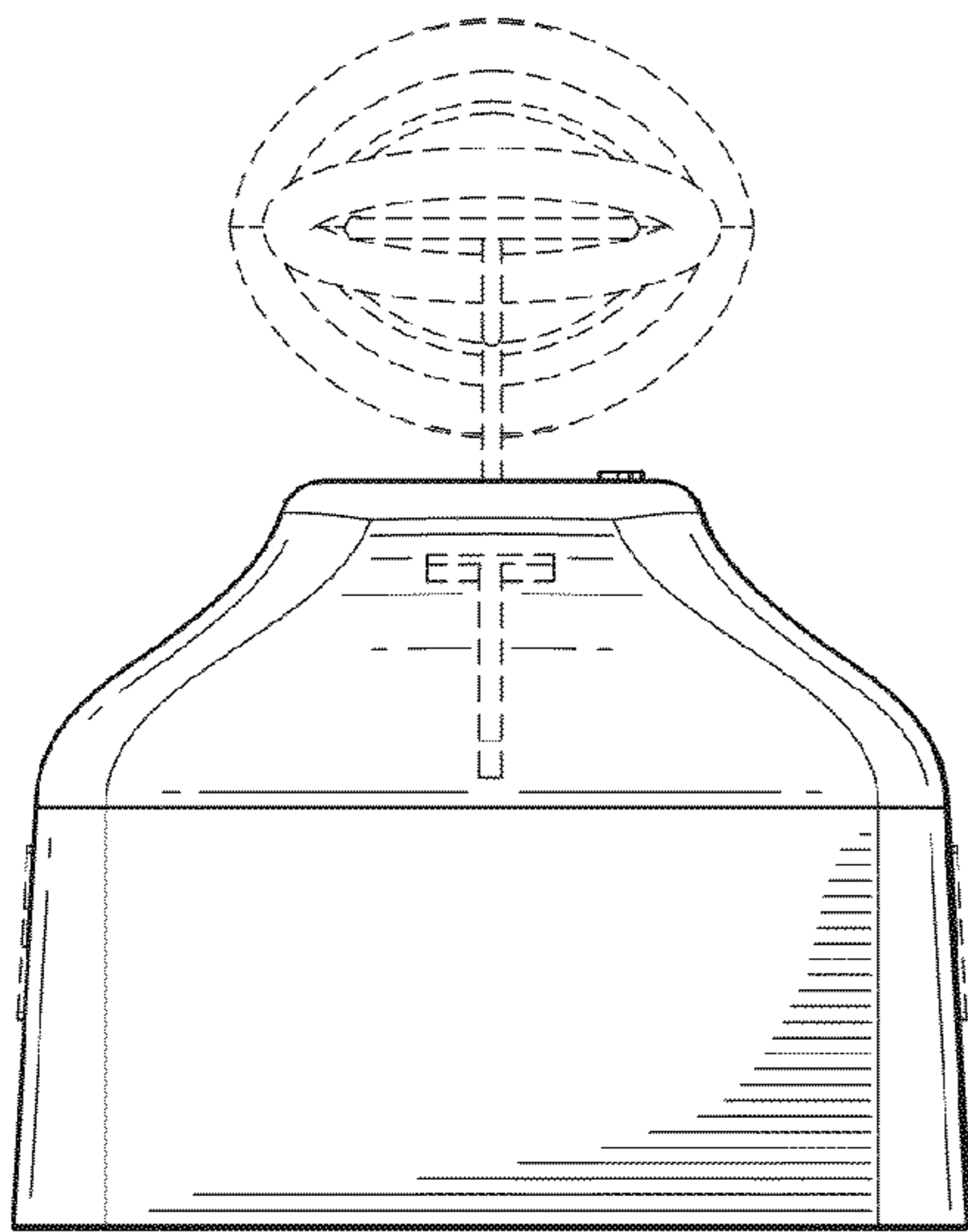
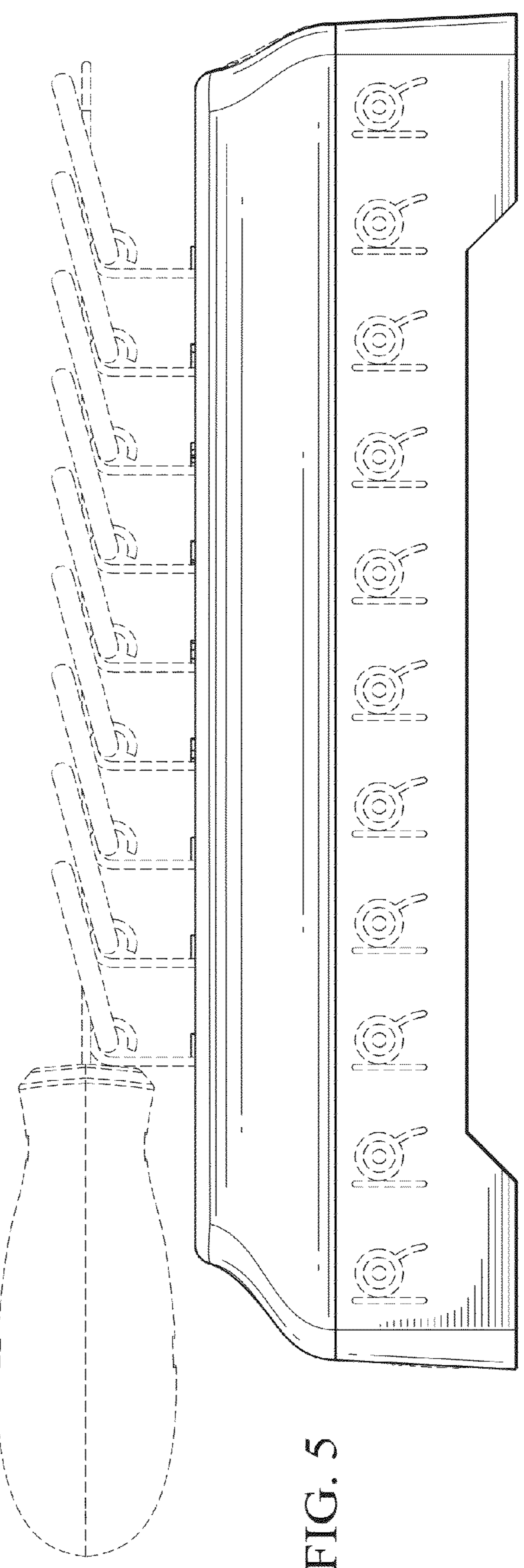
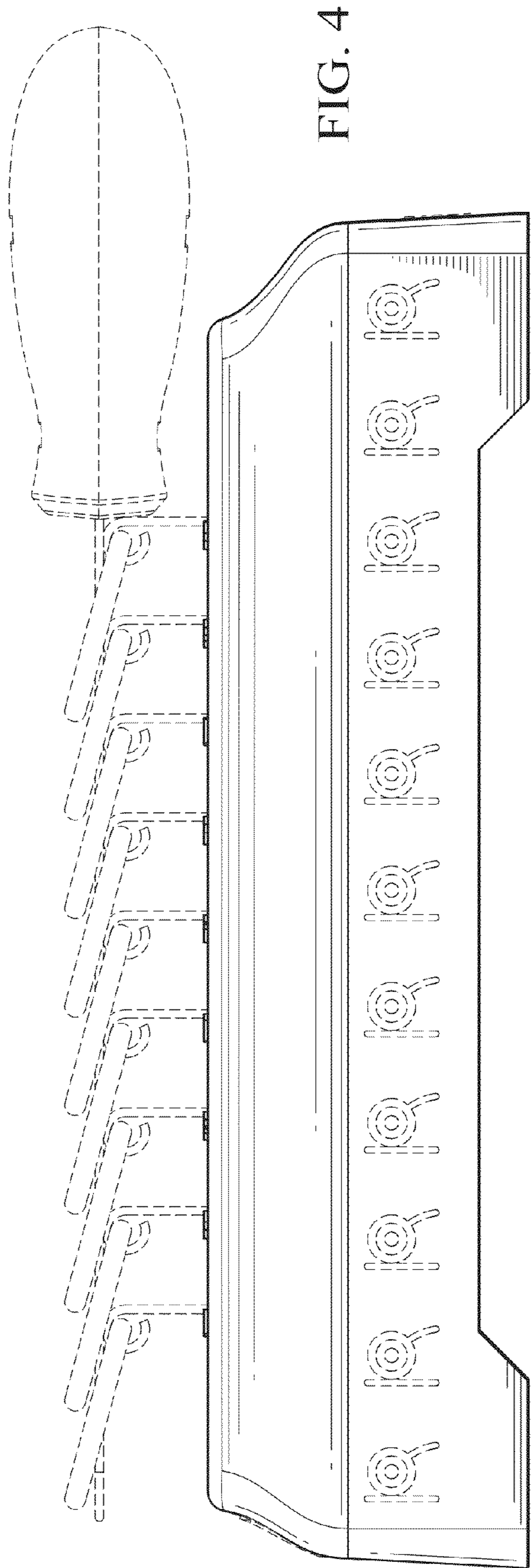


FIG. 2



FIG. 3



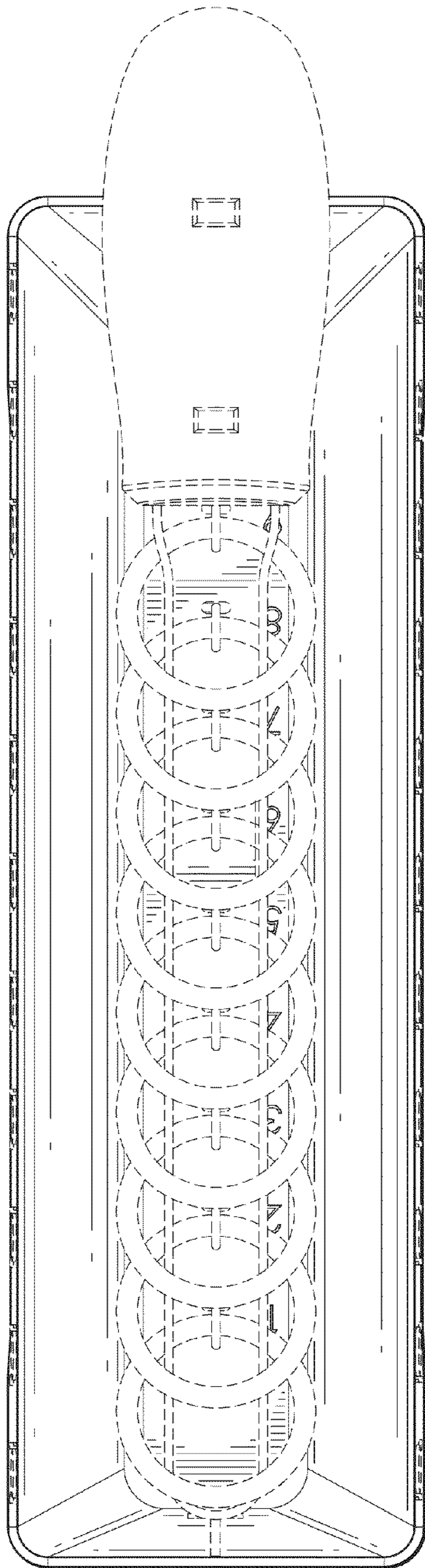


FIG. 6

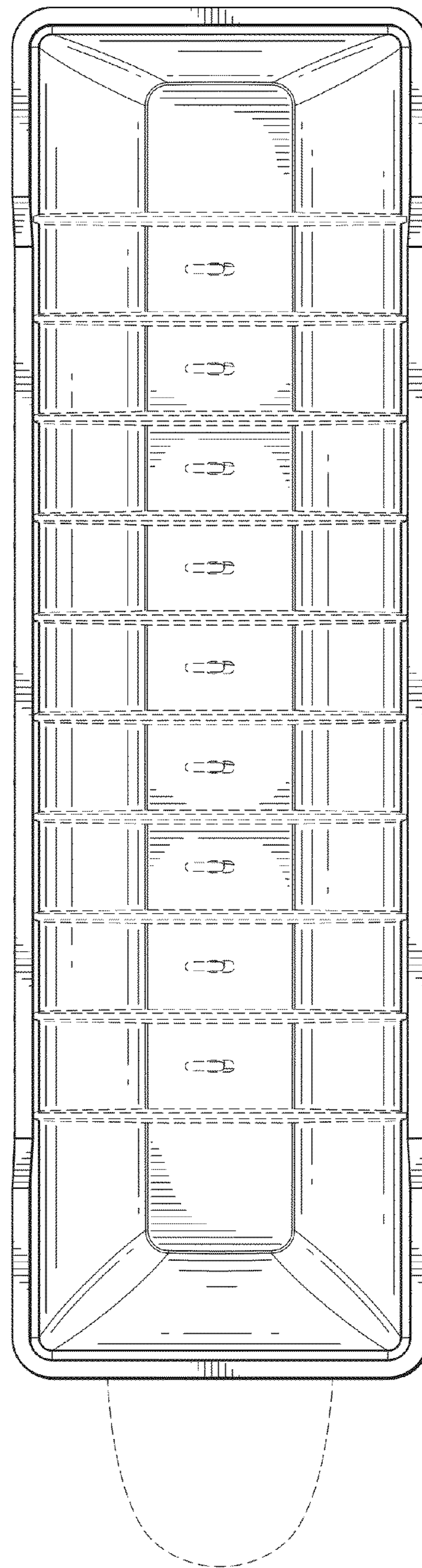


FIG. 7