



US00D729319S

(12) **United States Design Patent**
Meissner et al.

(10) **Patent No.:** **US D729,319 S**

(45) **Date of Patent:** **** May 12, 2015**

(54) **TOSS GAME STRUCTURE**

7,607,666 B1 * 10/2009 Studier 273/400
8,662,501 B1 * 3/2014 Perales 273/400
D706,355 S * 6/2014 Montenare D21/303

(71) Applicant: **Color Ink, Inc.**, Sussex, WI (US)

* cited by examiner

(72) Inventors: **Edward T. Meissner**, Hartland, WI (US); **Randy M. Klibowitz**, Oconomowoc, WI (US)

Primary Examiner — Prabhakar Deshmukh

(74) *Attorney, Agent, or Firm* — Ryan Kromholz & Manion, S.C.

(73) Assignee: **Color Ink, Inc.**, Sussex, WI (US)

(**) Term: **14 Years**

(57) **CLAIM**

The ornamental design for a toss game structure, as shown and described.

(21) Appl. No.: **29/483,802**

(22) Filed: **Mar. 3, 2014**

DESCRIPTION

(51) **LOC (10) Cl.** **21-01**

(52) **U.S. Cl.**
USPC **D21/303**

(58) **Field of Classification Search**
CPC A63B 63/00; A63B 67/00; A63B 71/00
USPC D21/300, 302, 303, 318, 334; 273/317, 273/331, 336, 398, 400, 402, 407, 408, 410, 273/118 R, 123 R, 236, 348, 386, 287; 473/569, 578, 592

See application file for complete search history.

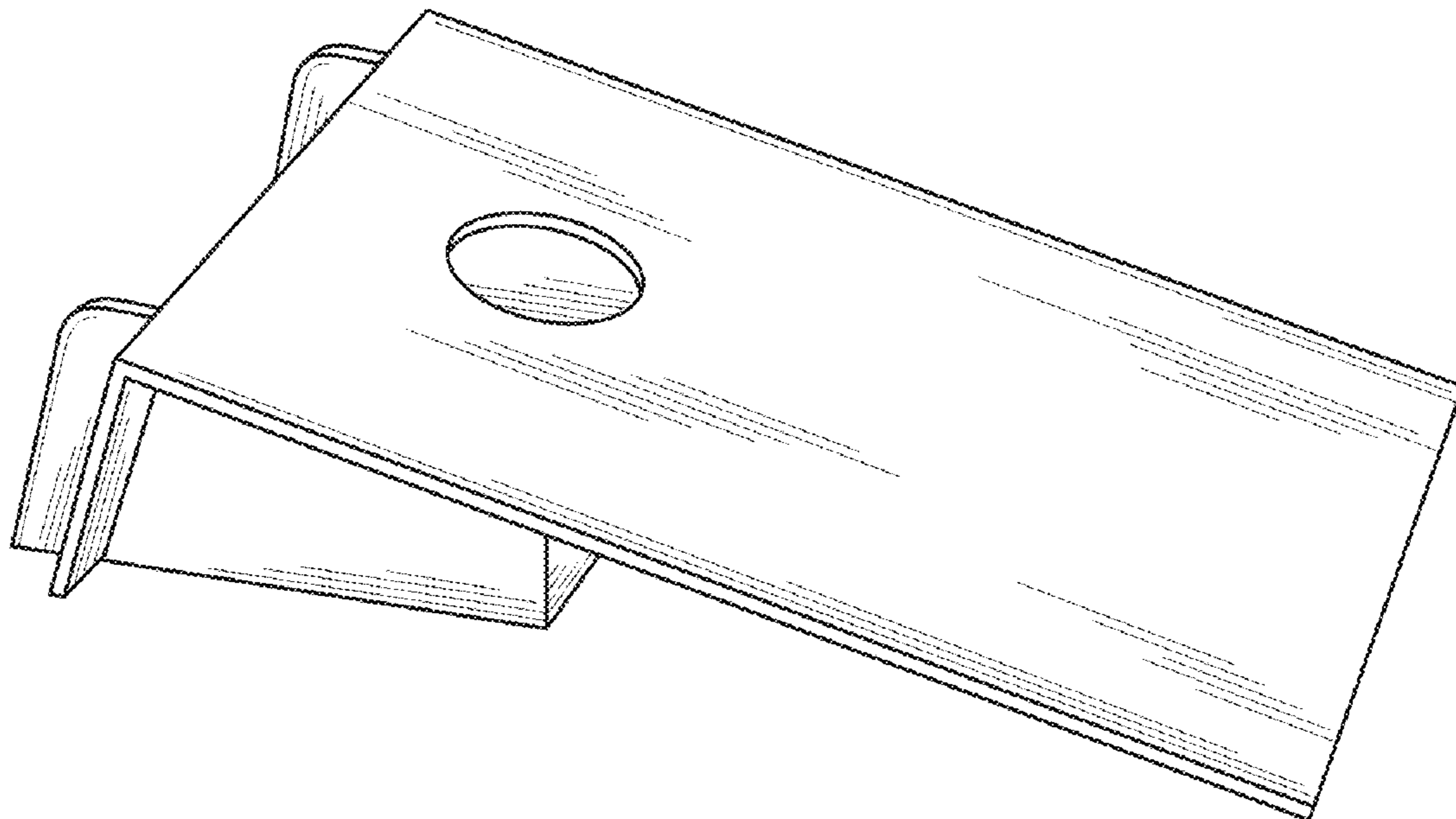
FIG. 1 is a front perspective view of a toss game structure showing our new design;
FIG. 2 is a top plan view thereof;
FIG. 3 is a bottom plan view thereof;
FIG. 4 is a left side elevation view thereof;
FIG. 5 is a right side elevation view thereof;
FIG. 6 is a front elevation view thereof;
FIG. 7 is a rear elevation view thereof;
FIG. 8 is a front perspective view of a second embodiment of a toss game structure;
FIG. 9 is a top plan view thereof;
FIG. 10 is a bottom plan view thereof;
FIG. 11 is a left side elevation view thereof;
FIG. 12 is a right side elevation view thereof;
FIG. 13 is a front elevation view thereof; and,
FIG. 14 is a rear elevation view thereof.
The opening shown in broken lines in FIGS. 8, 9, 10, and 13 forms no part of the claimed design.

(56) **References Cited**

U.S. PATENT DOCUMENTS

4,943,065 A * 7/1990 DeLapa 273/402
5,553,862 A * 9/1996 Konotopsky 273/402
D375,530 S * 11/1996 Rudd D21/303
5,871,216 A * 2/1999 Sparacino 273/402
5,996,507 A * 12/1999 Joseph 108/46
D438,910 S * 3/2001 Culberson D21/303
6,932,345 B1 * 8/2005 O'Dell 273/402
7,237,777 B2 * 7/2007 Digges et al. 273/400

1 Claim, 4 Drawing Sheets



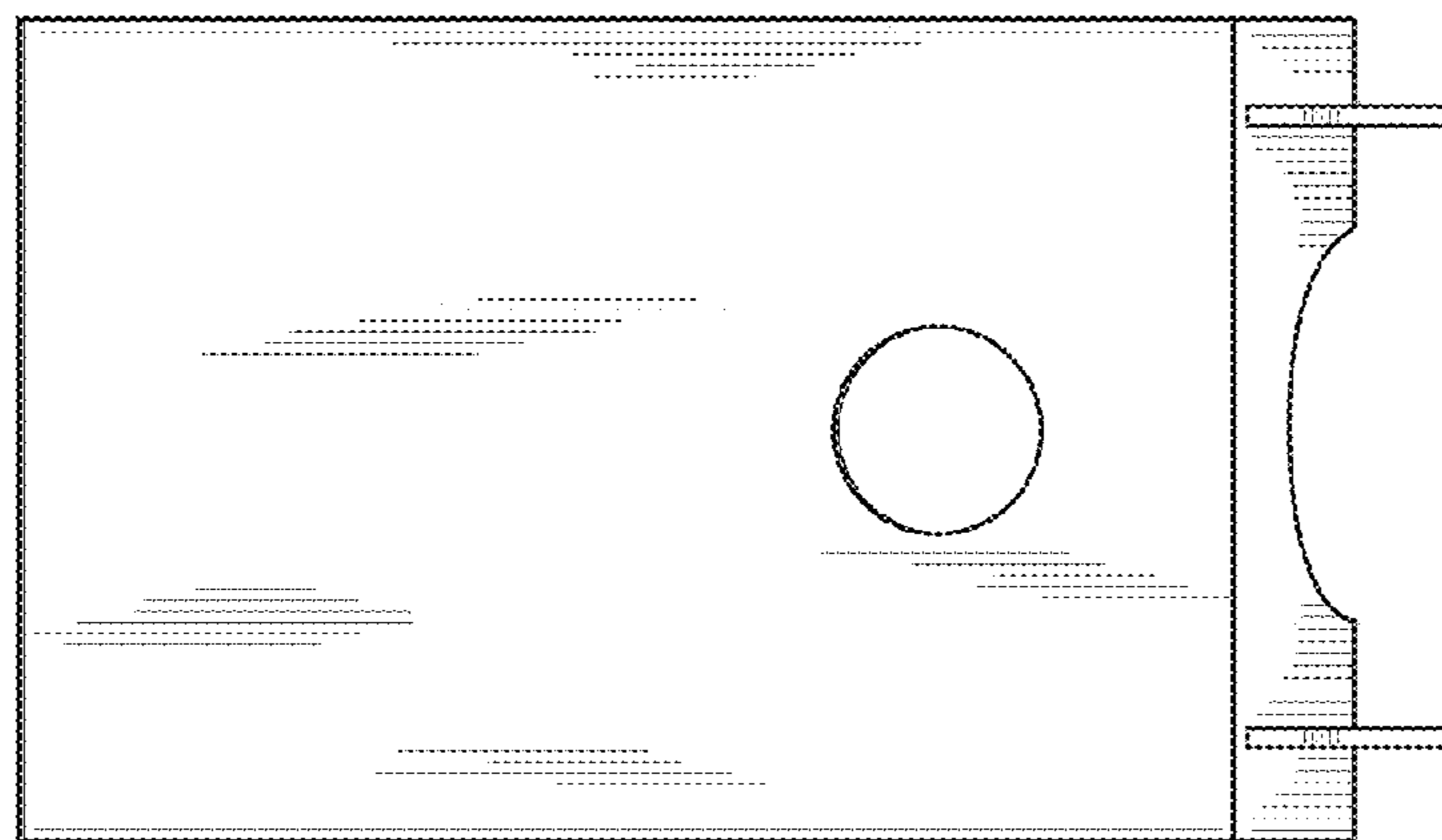
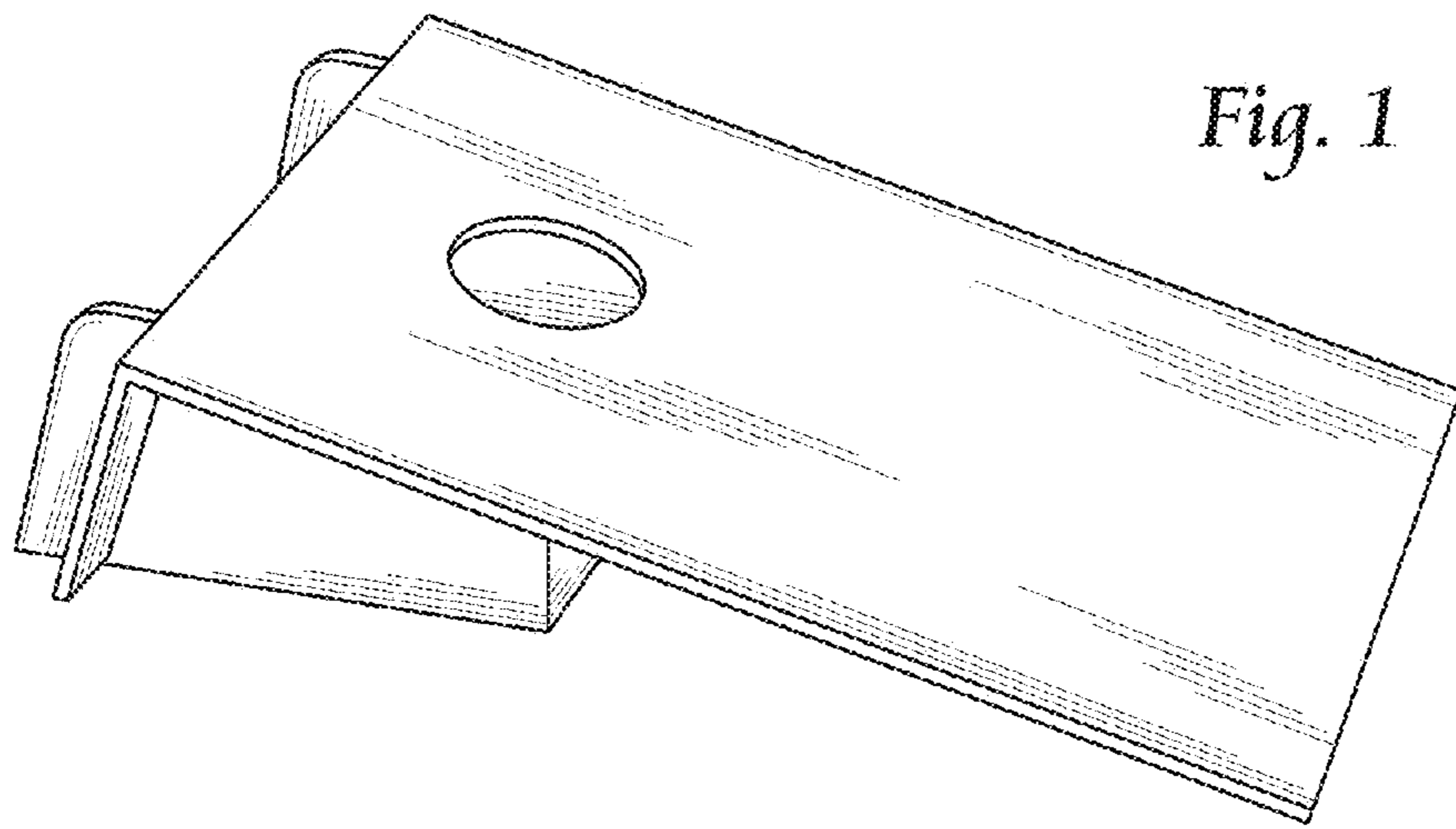
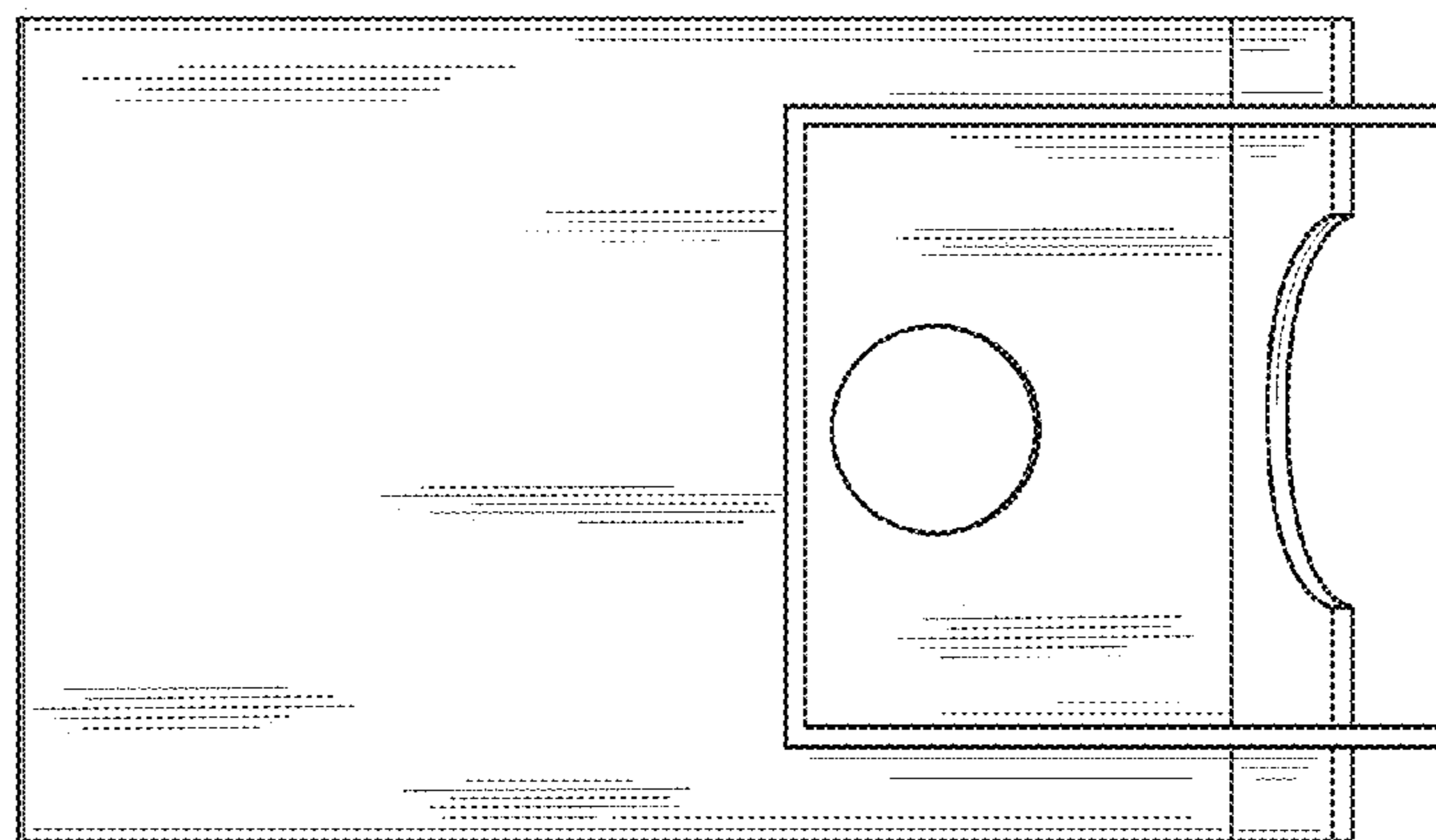


Fig. 3



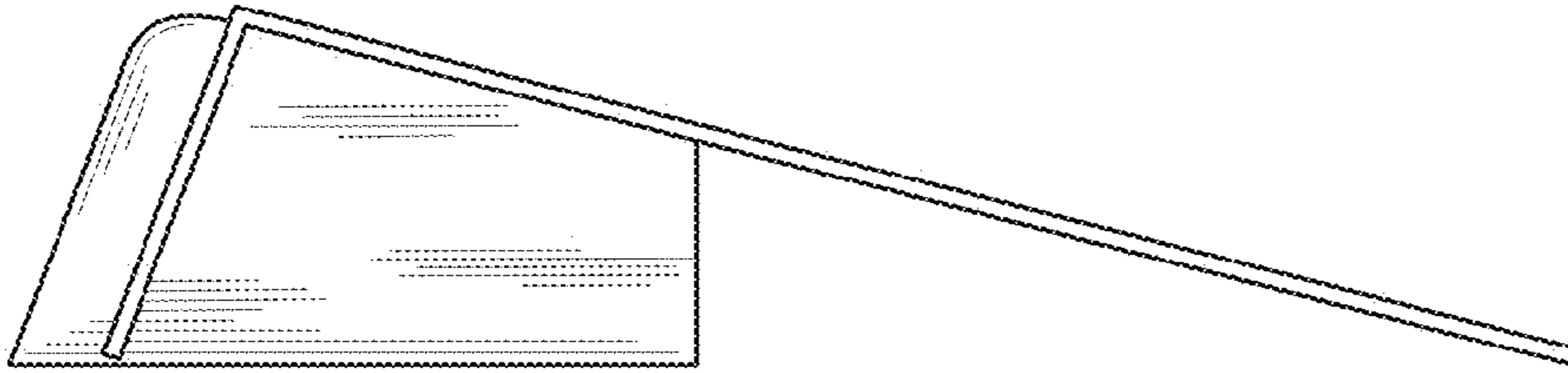


Fig. 4

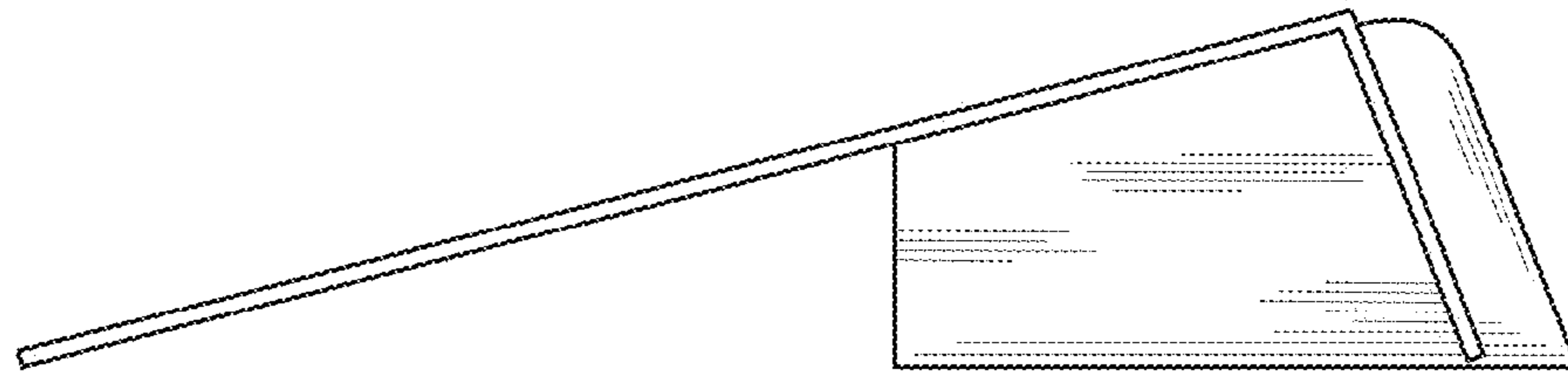


Fig. 5

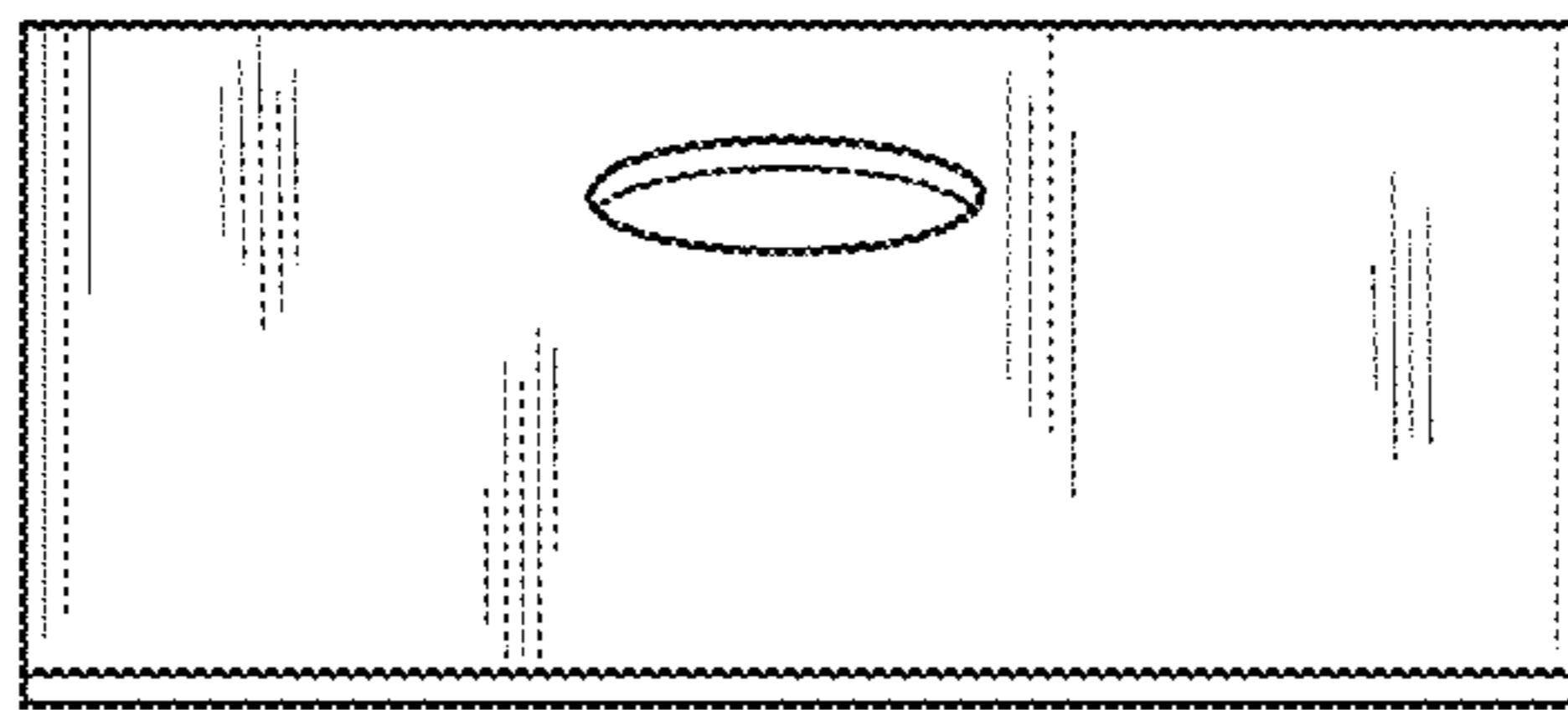
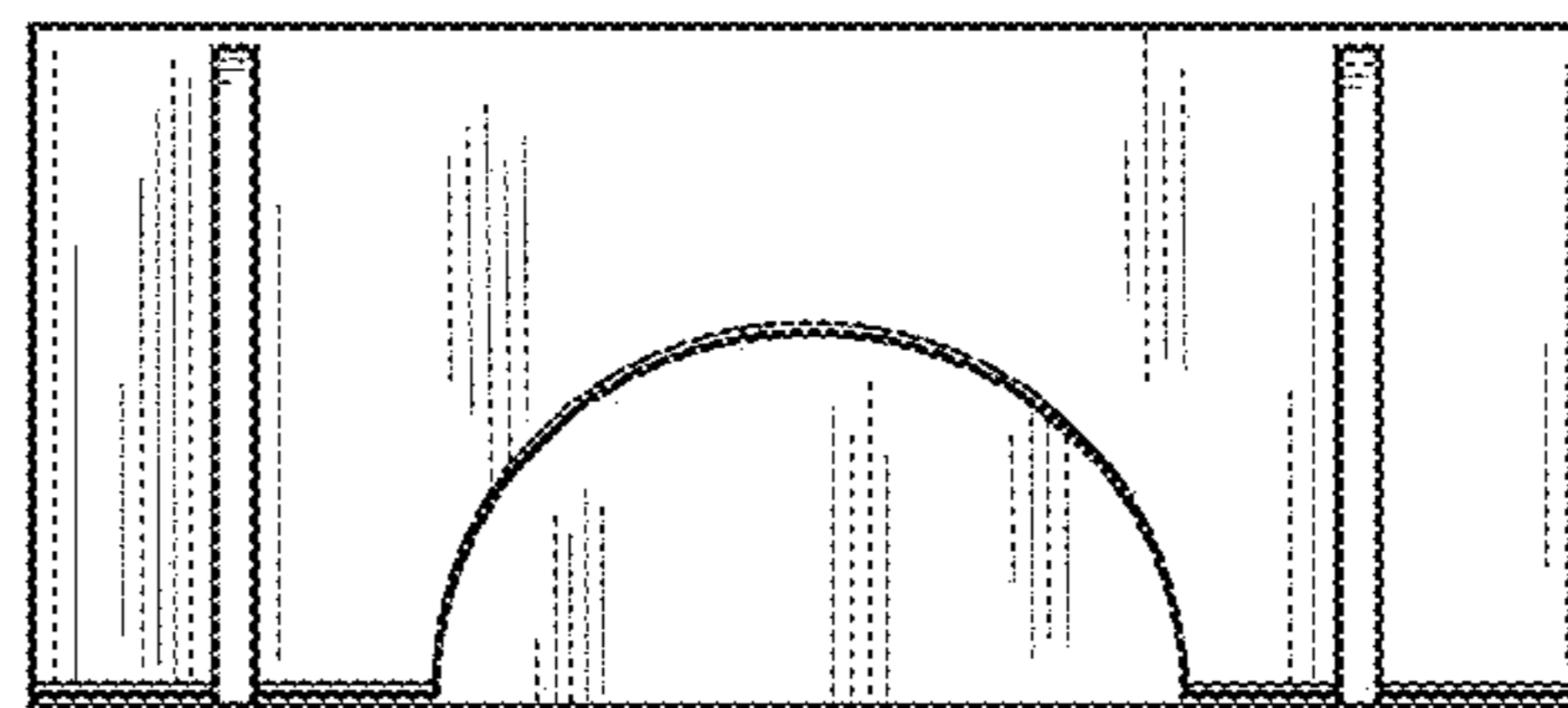
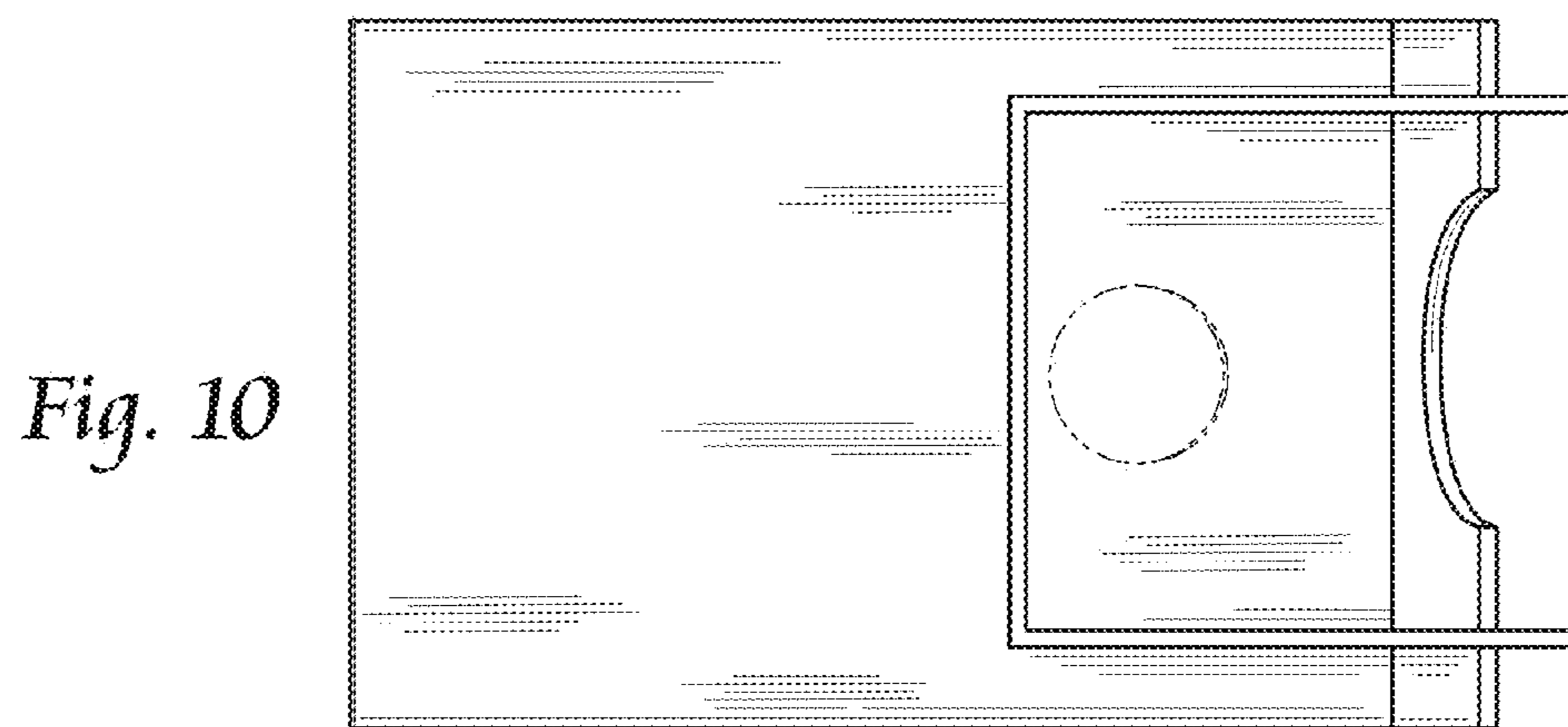
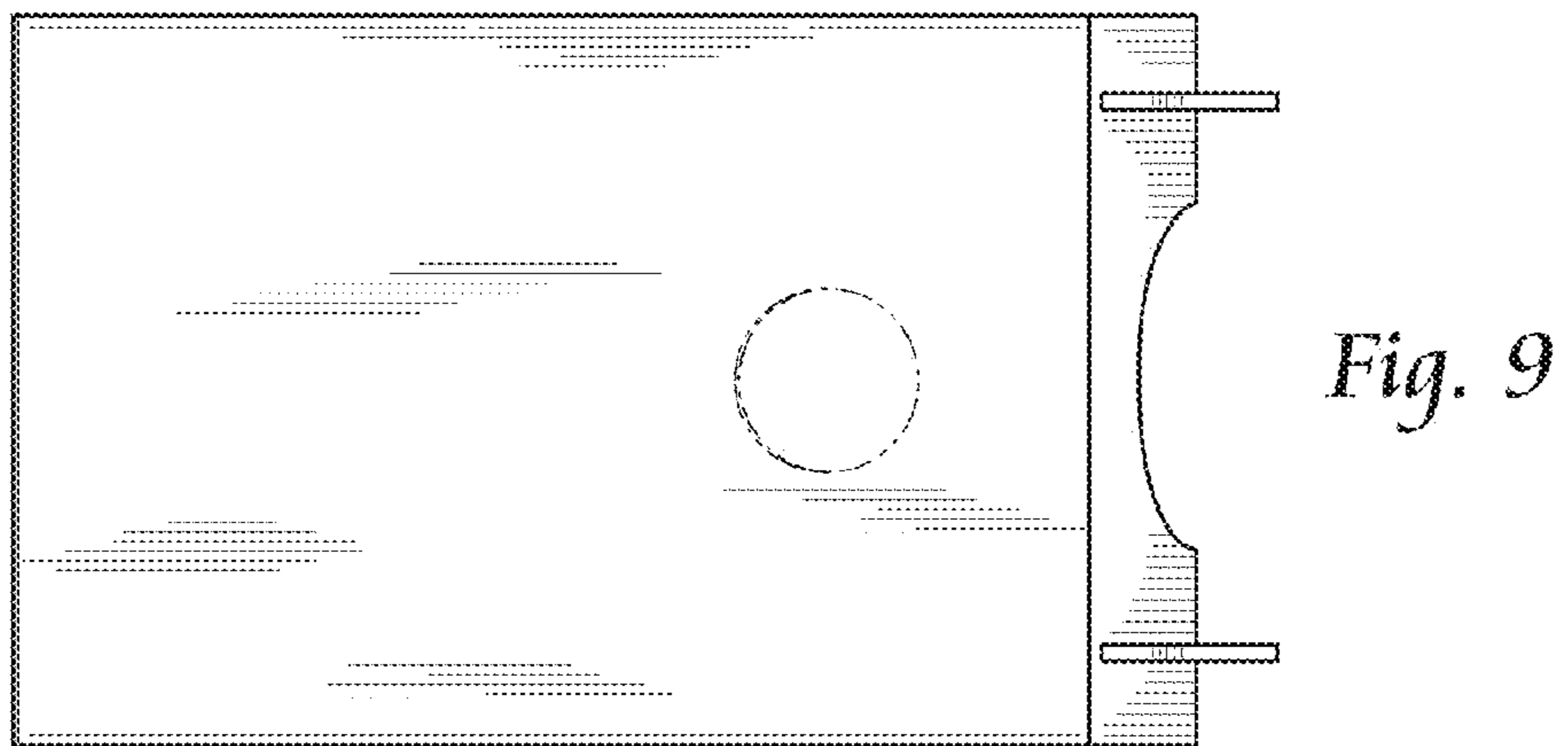
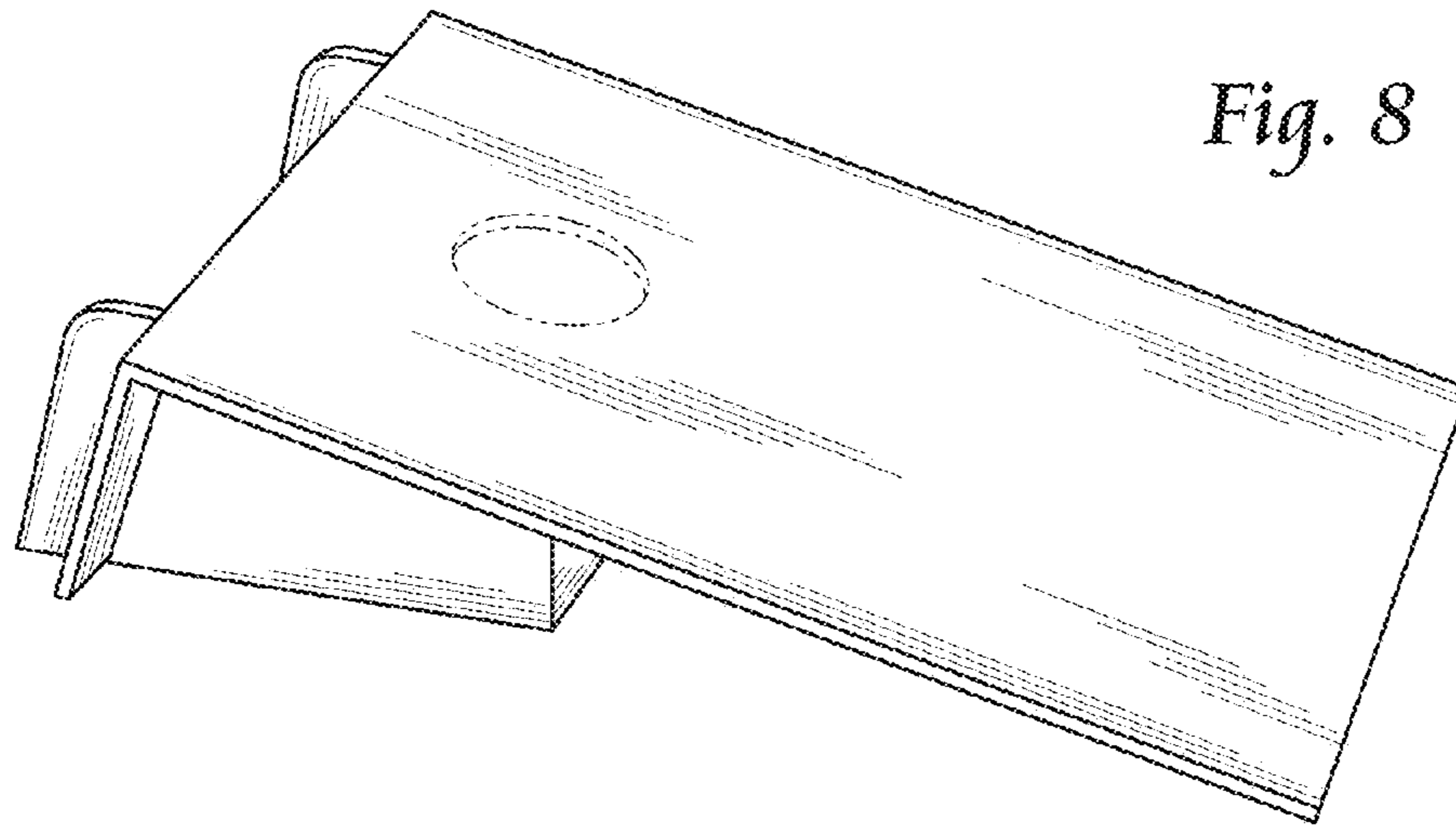


Fig. 6

Fig. 7





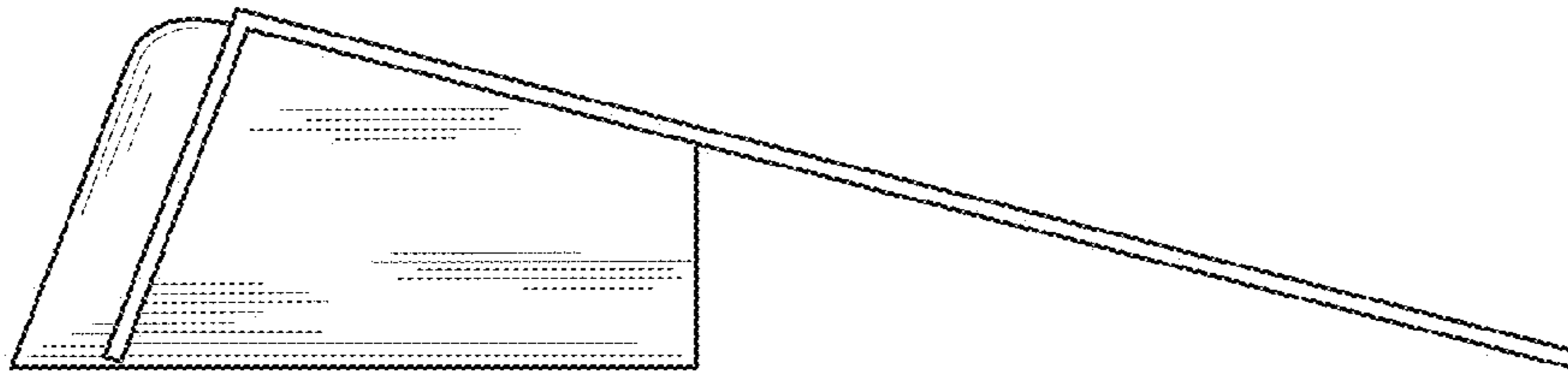


Fig. 11

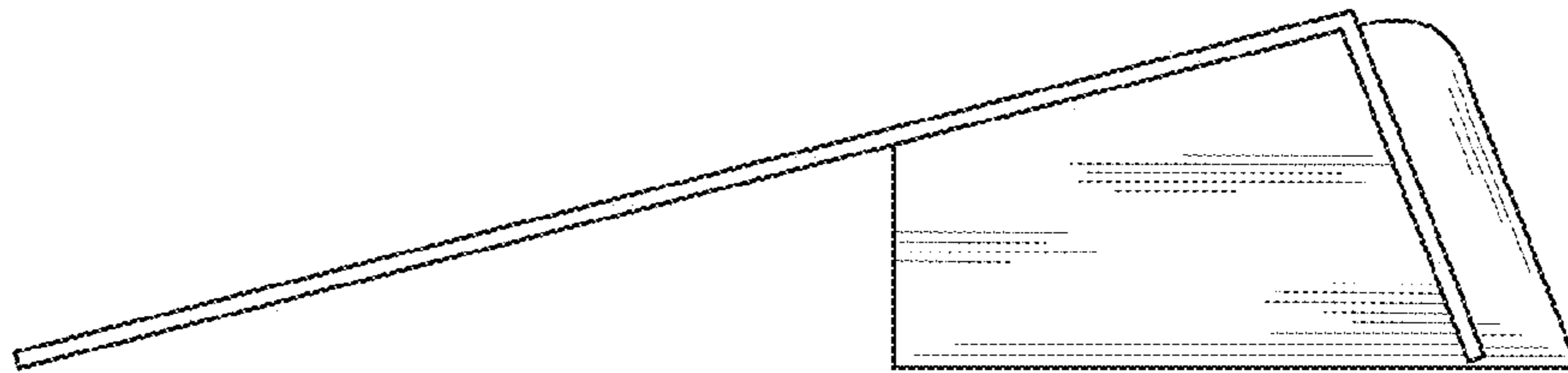


Fig. 12

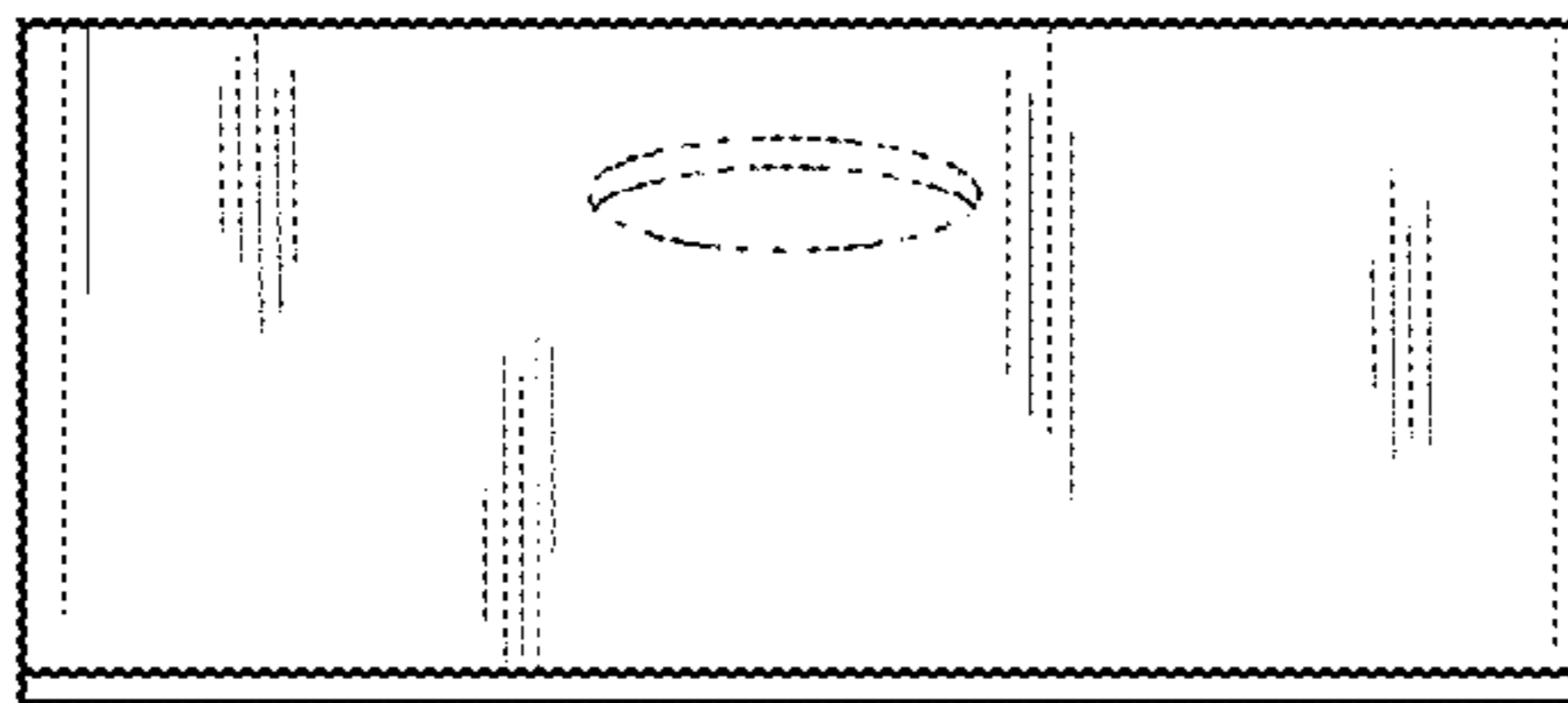


Fig. 13

Fig. 14

