



US00D729314S

(12) **United States Design Patent**
Weiland

(10) **Patent No.:** **US D729,314 S**

(45) **Date of Patent:** **** May 12, 2015**

(54) **PENCIL AND CRAYON SHARPENER**

(71) Applicant: **Melissa & Doug, LLC**, Wilton, CT (US)

(72) Inventor: **Ken Weiland**, Brookfield, CT (US)

(73) Assignee: **Melissa & Doug, LLC**, Wilton, CT (US)

(**) Term: **14 Years**

(21) Appl. No.: **29/500,112**

(22) Filed: **Aug. 21, 2014**

Related U.S. Application Data

(63) Continuation-in-part of application No. 29/481,945, filed on Feb. 12, 2014.

(51) **LOC (10) Cl.** **19-02**

(52) **U.S. Cl.**
USPC **D19/73**

(58) **Field of Classification Search**
USPC D19/72, 73, 74; 30/451-462; 144/28.1, 144/28.11, 28.2-28.7, 28.72, 28.8, 28.9
See application file for complete search history.

(56) **References Cited**

U.S. PATENT DOCUMENTS

D53,870 S * 9/1919 Wilson D19/99
1,887,422 A * 11/1932 Oulton 30/459
D142,863 S * 11/1945 Hoffmann D19/73

2,525,854 A * 10/1950 Becker 30/454
2,691,960 A * 10/1954 Leeds et al. 30/454
5,647,138 A * 7/1997 Tang et al. 30/454
5,987,759 A * 11/1999 Nita 30/454
6,279,237 B1 * 8/2001 Luttgens 30/454
6,286,218 B1 * 9/2001 Luttgens 30/454
6,397,480 B1 * 6/2002 Mak et al. 30/457
6,571,480 B1 * 6/2003 Qiu 30/457
6,974,026 B2 * 12/2005 Chan et al. 206/224
D557,605 S * 12/2007 Reber et al. D9/453
D622,319 S * 8/2010 Stukenkemper D19/73
2012/0192995 A1 * 8/2012 Chen 144/28.8
2013/0174429 A1 * 7/2013 Constantine et al. 30/454

* cited by examiner

Primary Examiner — Elizabeth Albert

(74) *Attorney, Agent, or Firm* — Cooper & Dunham LLP

(57) **CLAIM**

I claim the ornamental design for a pencil and crayon sharpener, as shown and described.

DESCRIPTION

FIG. 1 is a perspective view of the pencil and crayon sharpener of the claimed design.

FIG. 2 is a view of the front end of FIG. 1;

FIG. 3 is a right side view of FIG. 1, the opposite side being a mirror image of the right side;

FIG. 4 is a rear end view of FIG. 1; and,

FIG. 5 is a perspective view of the end opposite from FIG. 1. The broken lines are included for the purpose of showing features that form no part of the claimed design.

1 Claim, 4 Drawing Sheets

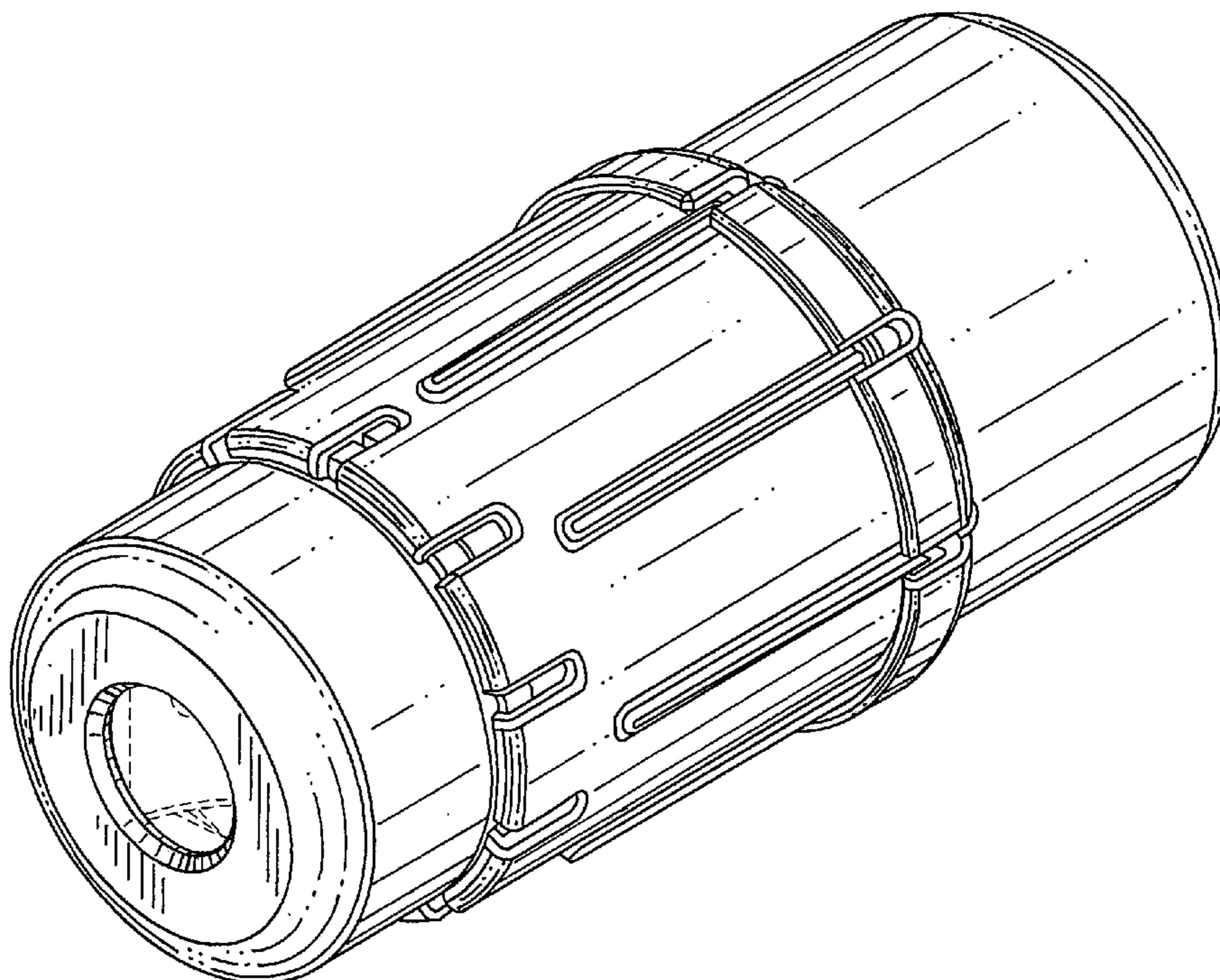
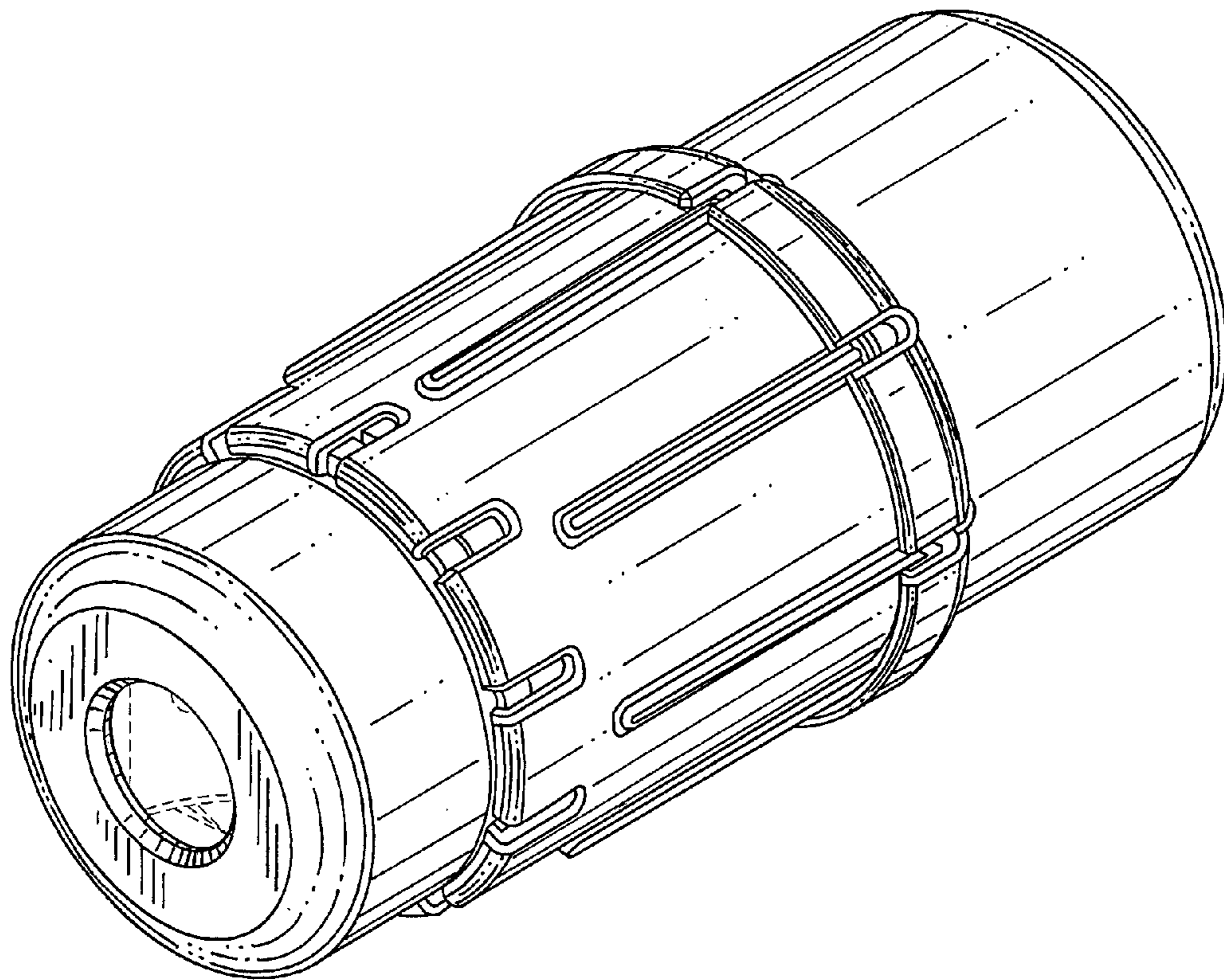


FIG. 1



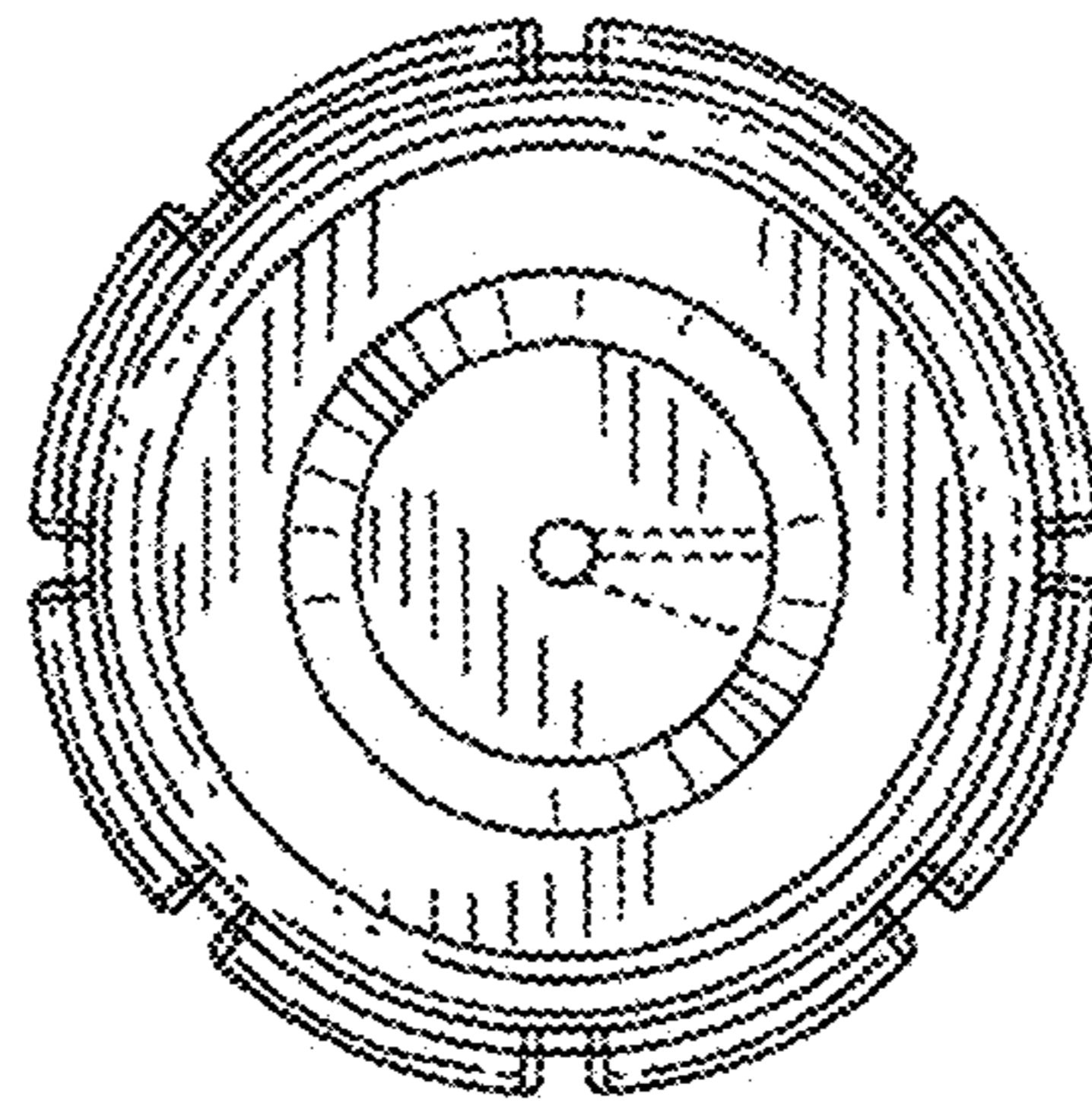


FIG. 2

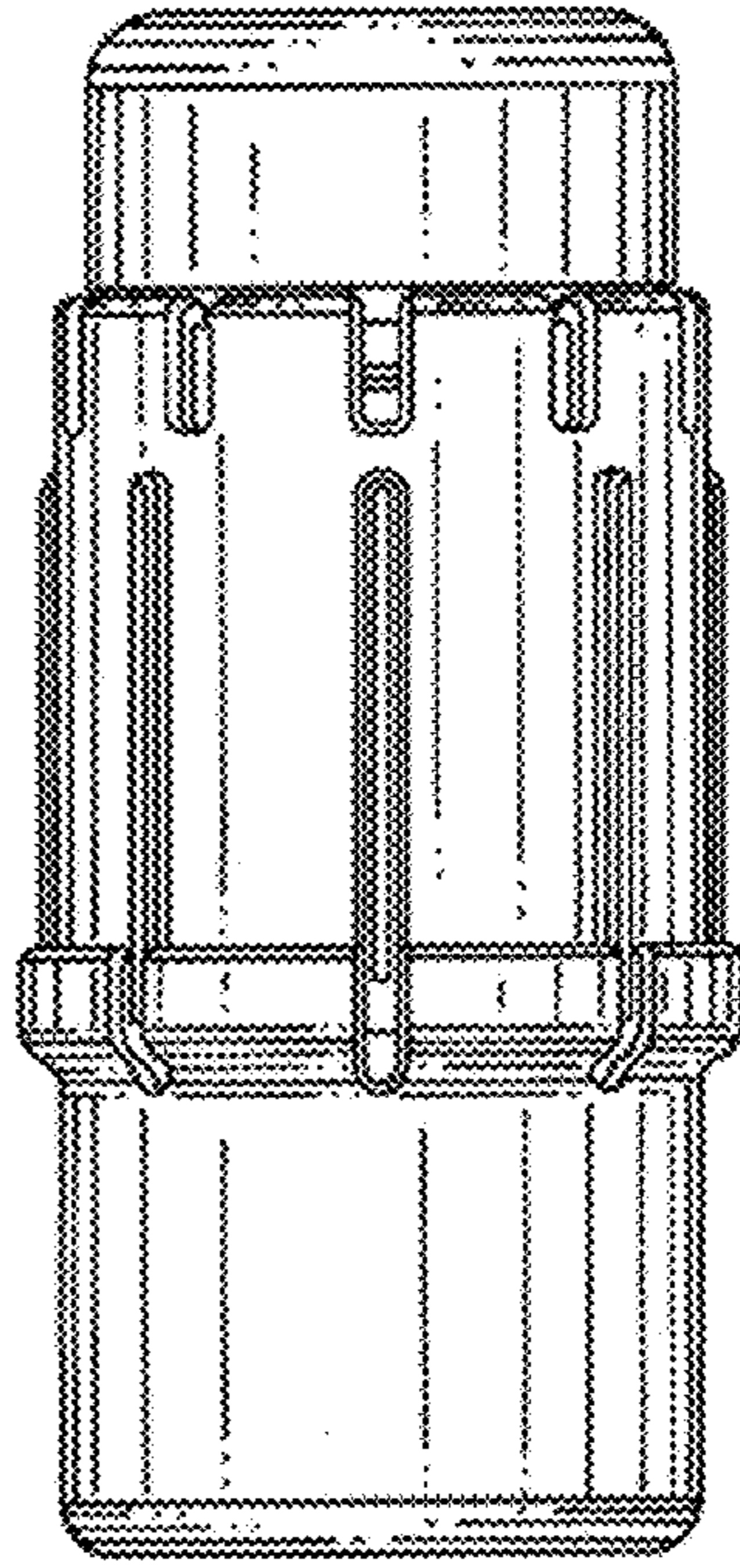


FIG. 3

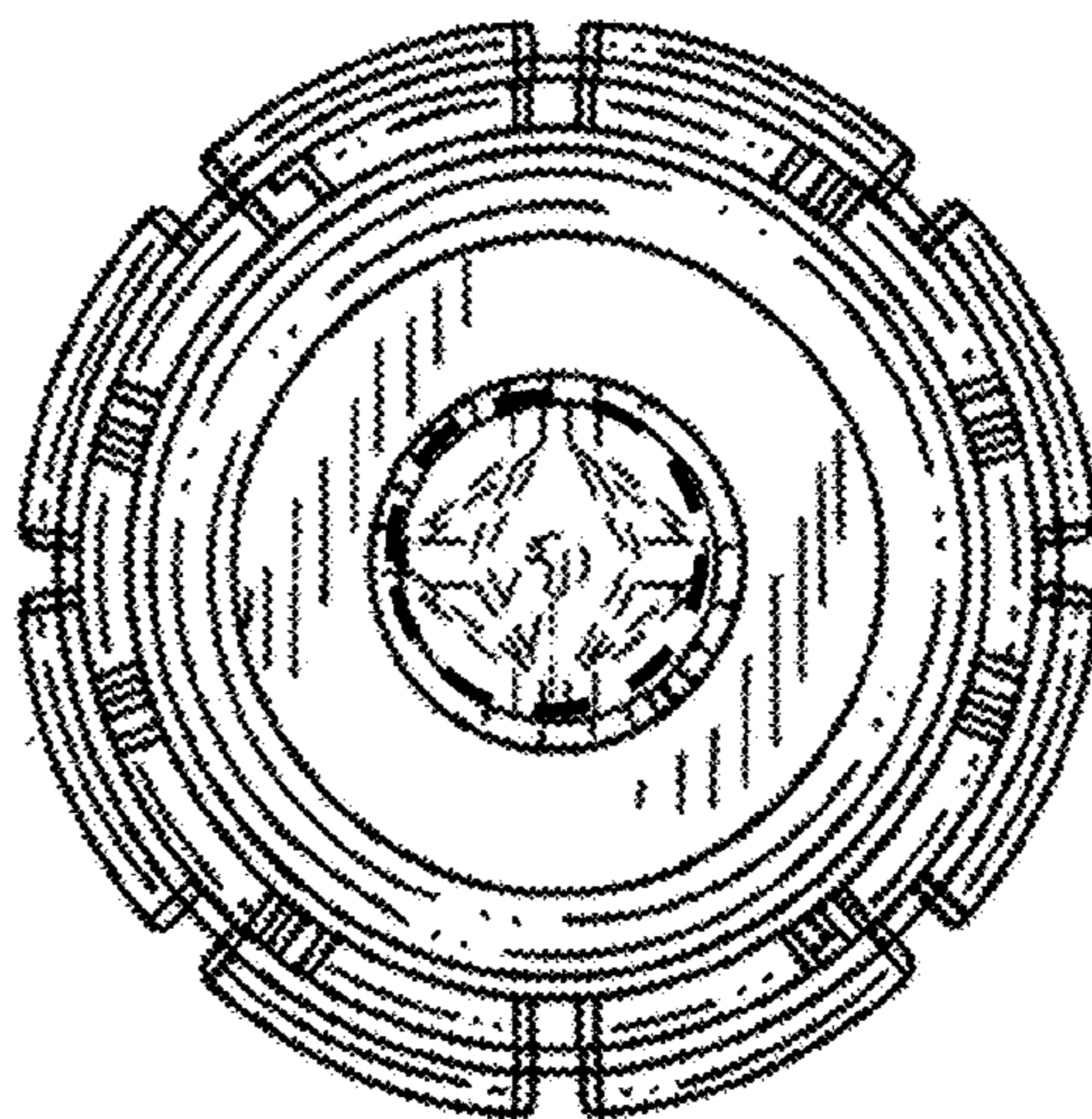


FIG. 4

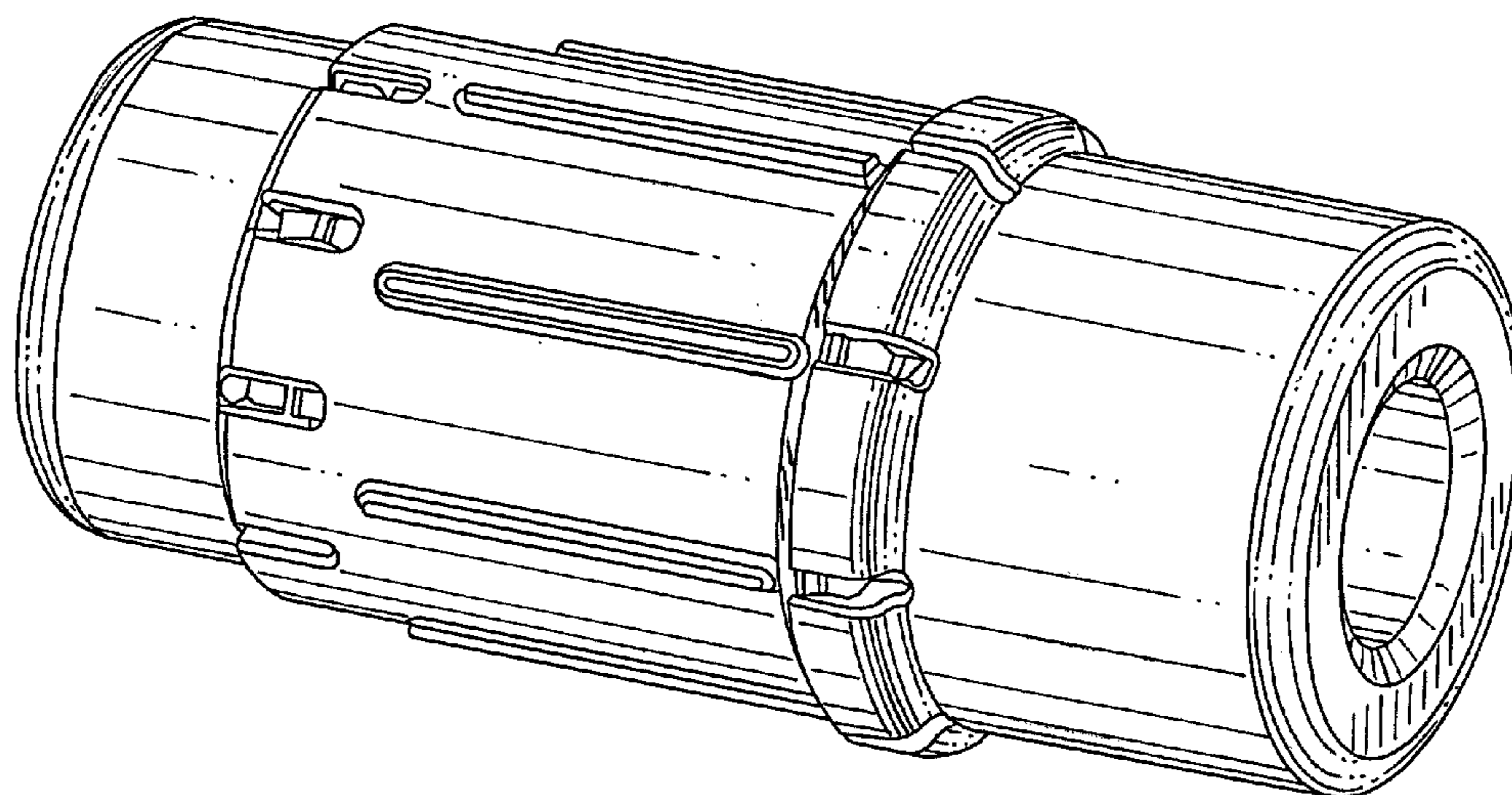


FIG. 5