

US00D729313S

(12) **United States Design Patent**
Glass et al.

(10) **Patent No.:** **US D729,313 S**

(45) **Date of Patent:** **** May 12, 2015**

(54) **STORED VALUE CARD ENVELOPE**

(74) *Attorney, Agent, or Firm* — Polsinelli PC

(71) Applicant: **Gift Card Impressions, LLC**, Kansas City, MO (US)

(57) **CLAIM**

The ornament design for a stored value card envelope, as shown and described.

(72) Inventors: **Brett R. Glass**, Kansas City, MO (US);
Nicole E. Glass, Kansas City, MO (US)

DESCRIPTION

(**) Term: **14 Years**

(21) Appl. No.: **29/480,015**

(22) Filed: **Jan. 22, 2014**

(51) **LOC (10) Cl.** **19-01**

(52) **U.S. Cl.**

USPC **D19/3**

(58) **Field of Classification Search**

USPC D19/1-8, 75, 86, 100; 229/67.4, 928, 229/307, 92; 206/449, 424, 308.1, 308.3, 206/309, 313; 462/64-65; D20/27, 22, 40; 40/672, 124.01-124.15; D3/303, 227, D3/20; 383/61.1, 84; 283/72, 74-75, 103, 283/105-106, 116-117; D9/433

See application file for complete search history.

(56) **References Cited**

U.S. PATENT DOCUMENTS

D387,380 S *	12/1997	Feit	D19/3
D399,252 S *	10/1998	Bashama	D19/4
D421,457 S *	3/2000	Crofton	D19/2
D548,781 S *	8/2007	Oberst	D19/2
D570,907 S *	6/2008	Masters	D19/4
D570,909 S *	6/2008	Masters	D19/4
D590,440 S *	4/2009	Taute et al.	D19/3
D608,825 S *	1/2010	Brett	D19/3
D616,930 S *	6/2010	Engel et al.	D19/3
D661,349 S *	6/2012	Picard	D19/3
D685,843 S *	7/2013	Glass et al.	D19/3

* cited by examiner

Primary Examiner — Caron D Veynar

Assistant Examiner — Abraham Bahta

FIG. 1 is a perspective view of the stored value card envelope shown in the open position to reveal a stored value card configured for placement inside the stored value card envelope;

FIG. 2 is another perspective view of the stored value card envelope shown with top and bottom flaps in a closed position around the stored value card;

FIG. 3 is another perspective view of the stored value card envelope shown with the top, bottom and left laps in a closed position around the stored value card;

FIG. 4 is another perspective view of the stored value card envelope shown with the top, bottom, left and right flaps in a closed position around the stored value card;

FIG. 5 is front view of the stored value card envelope shown with the top, bottom, left and right flaps in closed position around the stored value card;

FIG. 6 is rear view of the stored value card envelope shown with the top, bottom, left and right flaps in closed position around the stored value card;

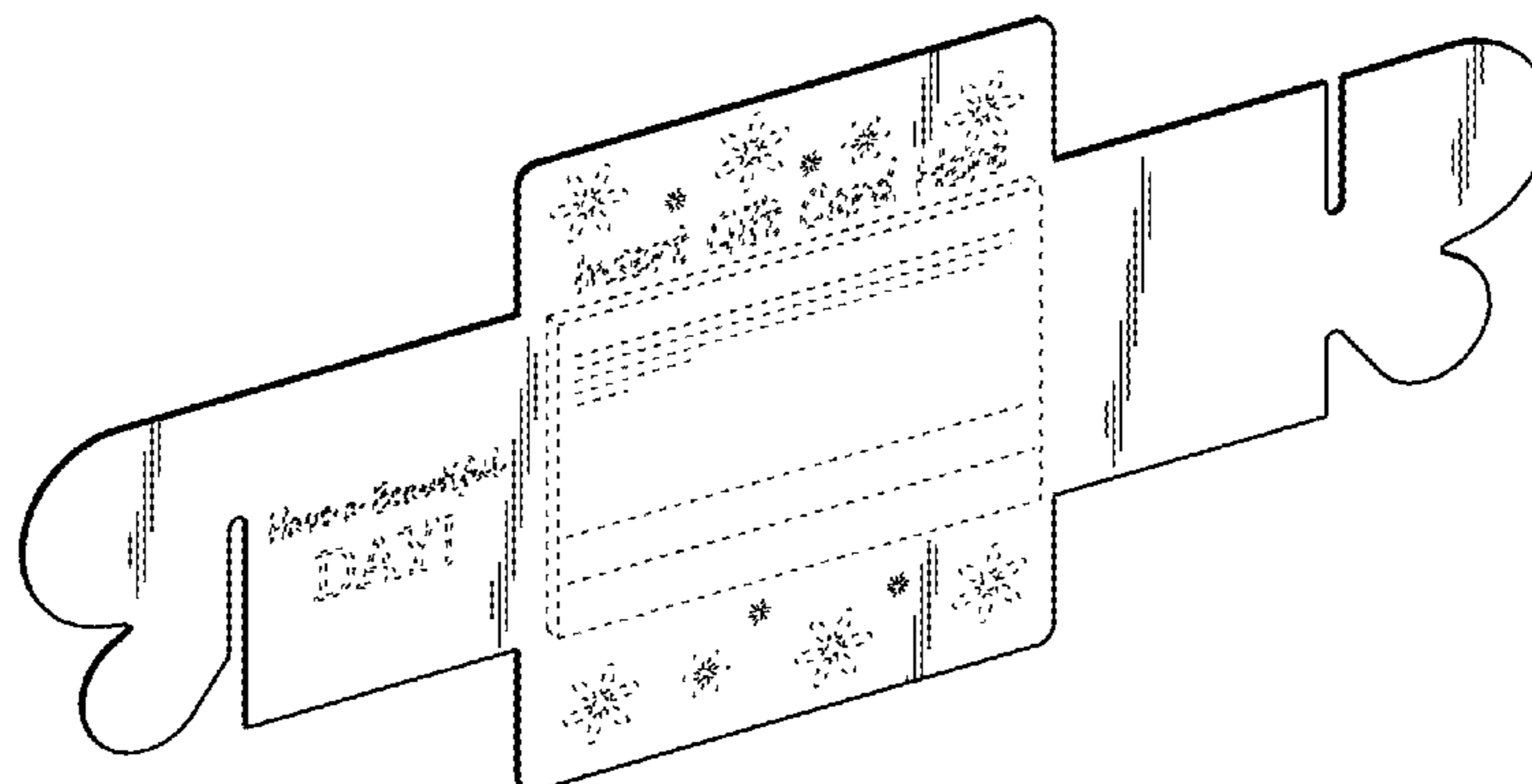
FIG. 7 is left side view of the stored value card envelope shown with the top, bottom, left and right flaps in closed position around the stored value card; the right side view being a mirror image thereof;

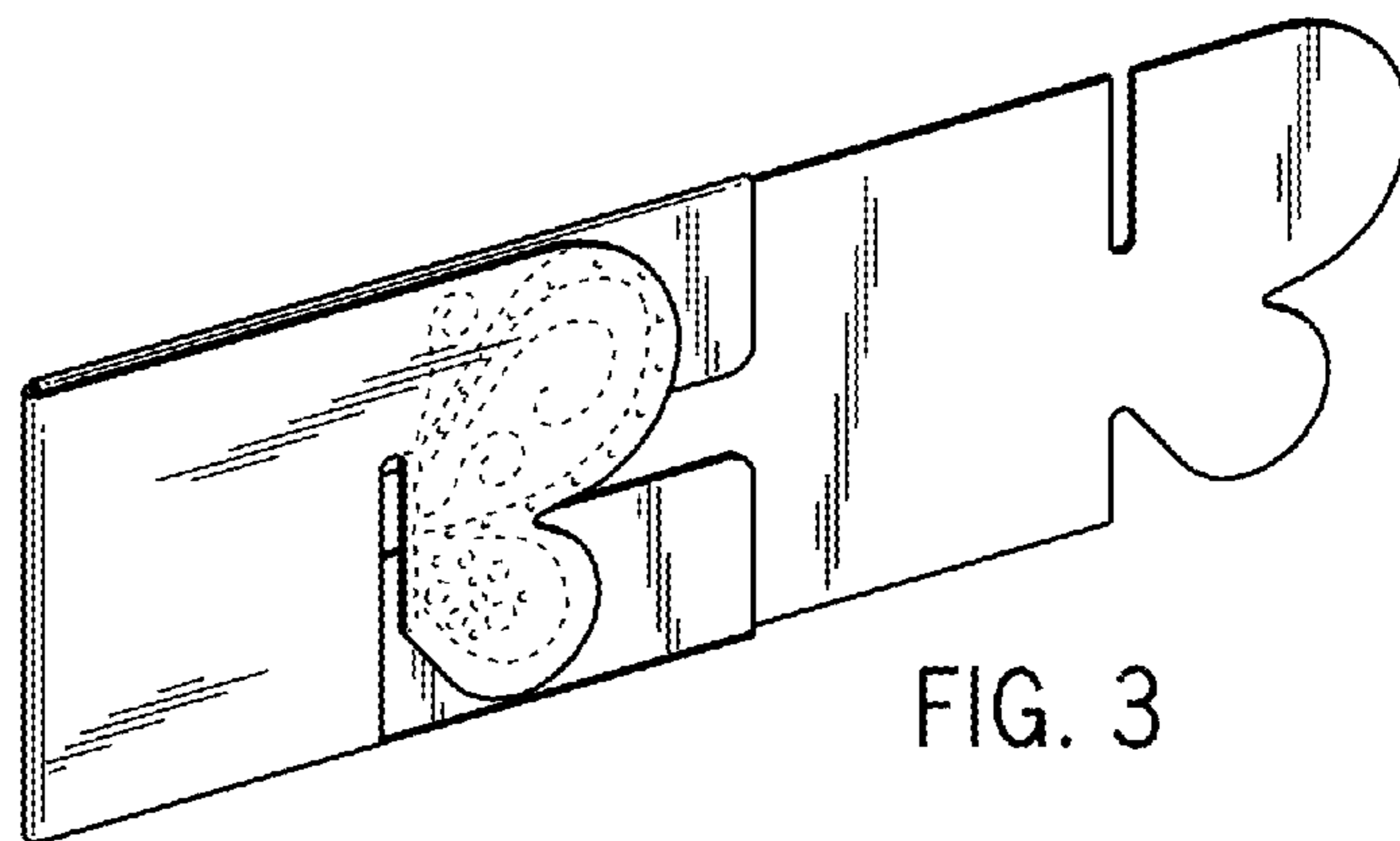
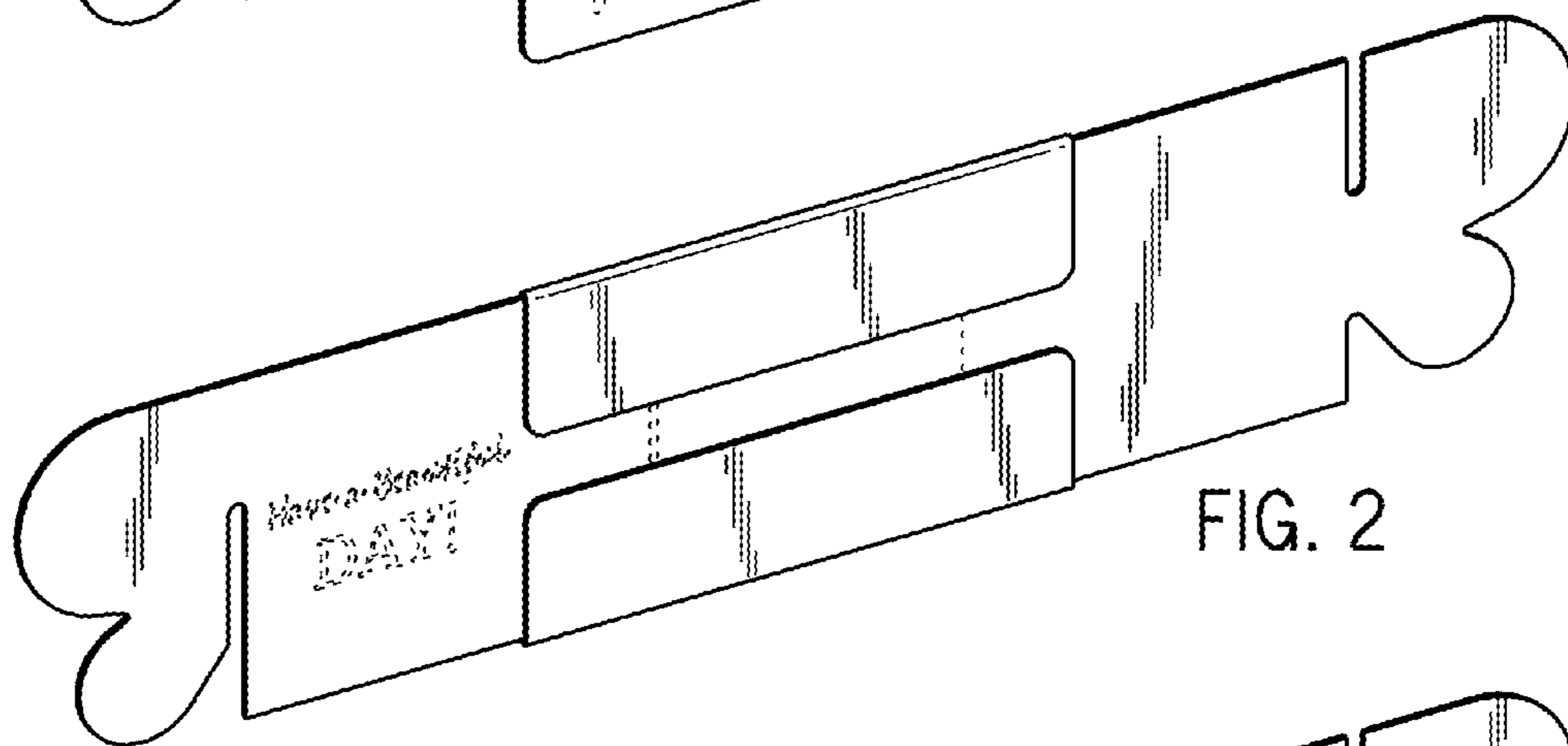
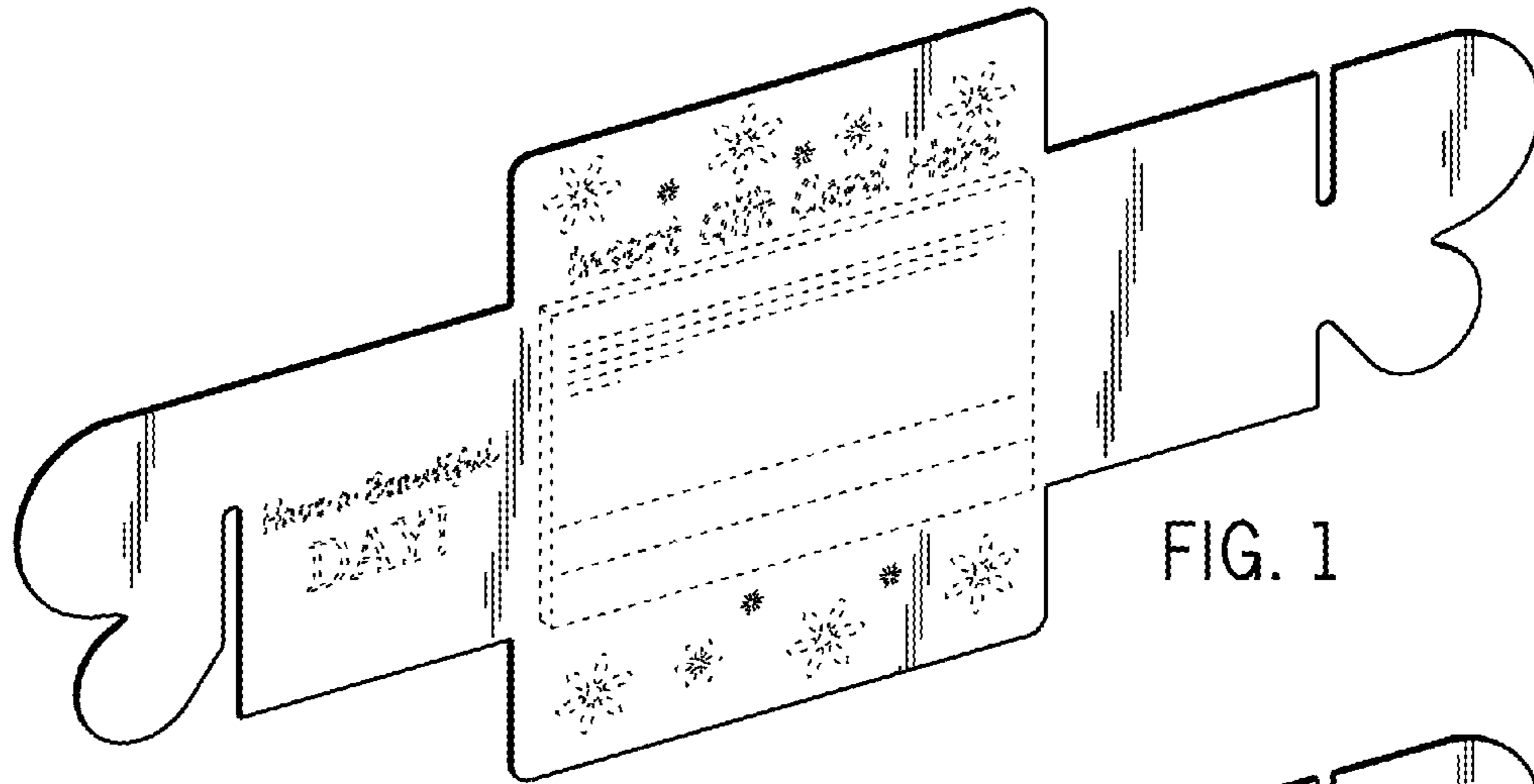
FIG. 8 is a top view of the stored value card envelope shown with the top, bottom, left and right flaps in a closed position around the stored value card; and,

FIG. 9 is a bottom view of the stored value card envelope shown with the top, bottom, left and right flaps in a closed position around the stored value card.

The dashed lines showing in the figures are included for the purpose of illustrating portions of the stored value card envelope that form no part of the claimed design.

1 Claim, 3 Drawing Sheets





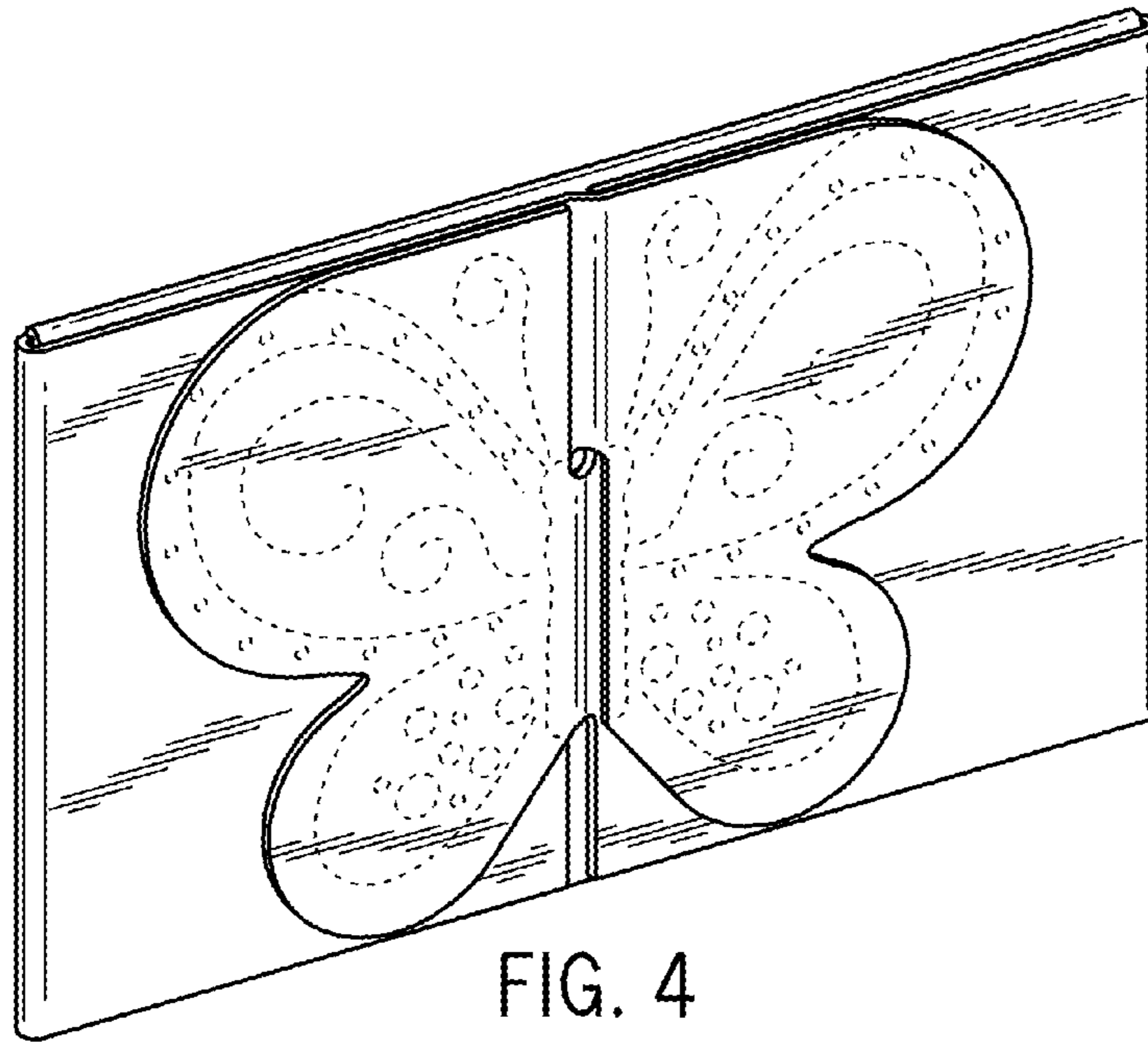


FIG. 4

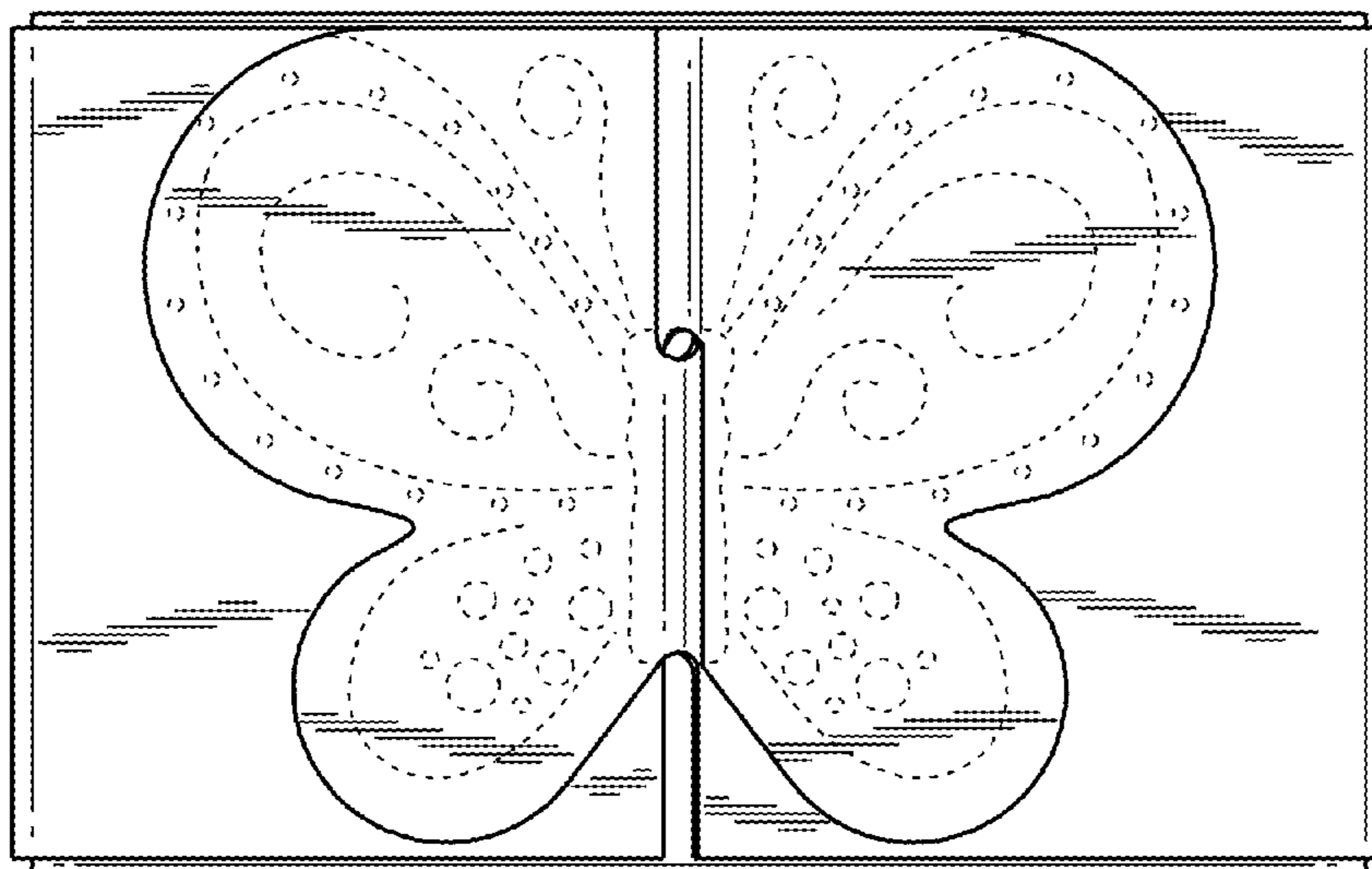


FIG. 5



FIG. 6



FIG. 7



FIG. 8



FIG. 9