

US00D729312S

(12) **United States Design Patent**
Harvey et al.

(10) **Patent No.:** **US D729,312 S**
(45) **Date of Patent:** **** May 12, 2015**

(54) **INK CARTRIDGE**

- (71) Applicant: **Hewlett-Packard Development Company, L.P.**, Houston, TX (US)
- (72) Inventors: **David C. Harvey**, Corvallis, OR (US);
Ralph L. Stathem, Corvallis, OR (US);
David N. Olsten, Corvallis, OR (US)
- (73) Assignee: **Hewlett-Packard Development Company, L.P.**, Houston, TX (US)
- (**) Term: **14 Years**
- (21) Appl. No.: **29/455,452**
- (22) Filed: **May 21, 2013**

Related U.S. Application Data

- (63) Continuation of application No. 29/402,495, filed on Sep. 23, 2011, and a continuation of application No. 29/402,500, filed on Sep. 23, 2011, now Pat. No. Des. 675,252, and a continuation of application No.

(Continued)

- (51) **LOC (10) Cl.** **18-02**
- (52) **U.S. Cl.**
USPC **D18/56**
- (58) **Field of Classification Search**
USPC D18/12, 40, 43, 56; 347/86-87
See application file for complete search history.

(56) **References Cited**

U.S. PATENT DOCUMENTS

6,155,678	A	12/2000	Komplin et al.
6,435,662	B2	8/2002	Kline et al.
D464,672	S	10/2002	Shinano et al.
D489,757	S	5/2004	Matsumoto

(Continued)

FOREIGN PATENT DOCUMENTS

EP 1122078 8/2001

OTHER PUBLICATIONS

One (1) photograph of a brother LC110 Ink supply cartridge and shipping container, one (1) photograph comprising three Epson ink cartridges, models TO692, T0693, TO694, one (1) photograph of 170ml Canon LF aqueous supplies and shipping container, one (1) photograph of HP large format DesignJet cartridges and shipping container, all on two (2) pages. To the best of Applicant's knowledge, all of the products shown in the photographs were on sale in the United States more than one year prior to the filing date of the present application.

Primary Examiner — Cathy A MacCormac

(74) *Attorney, Agent, or Firm* — Tarolli, Sundheim, Covell & Tummino L.L.P.

(57) **CLAIM**

The ornamental design for an ink cartridge, as shown and described herein.

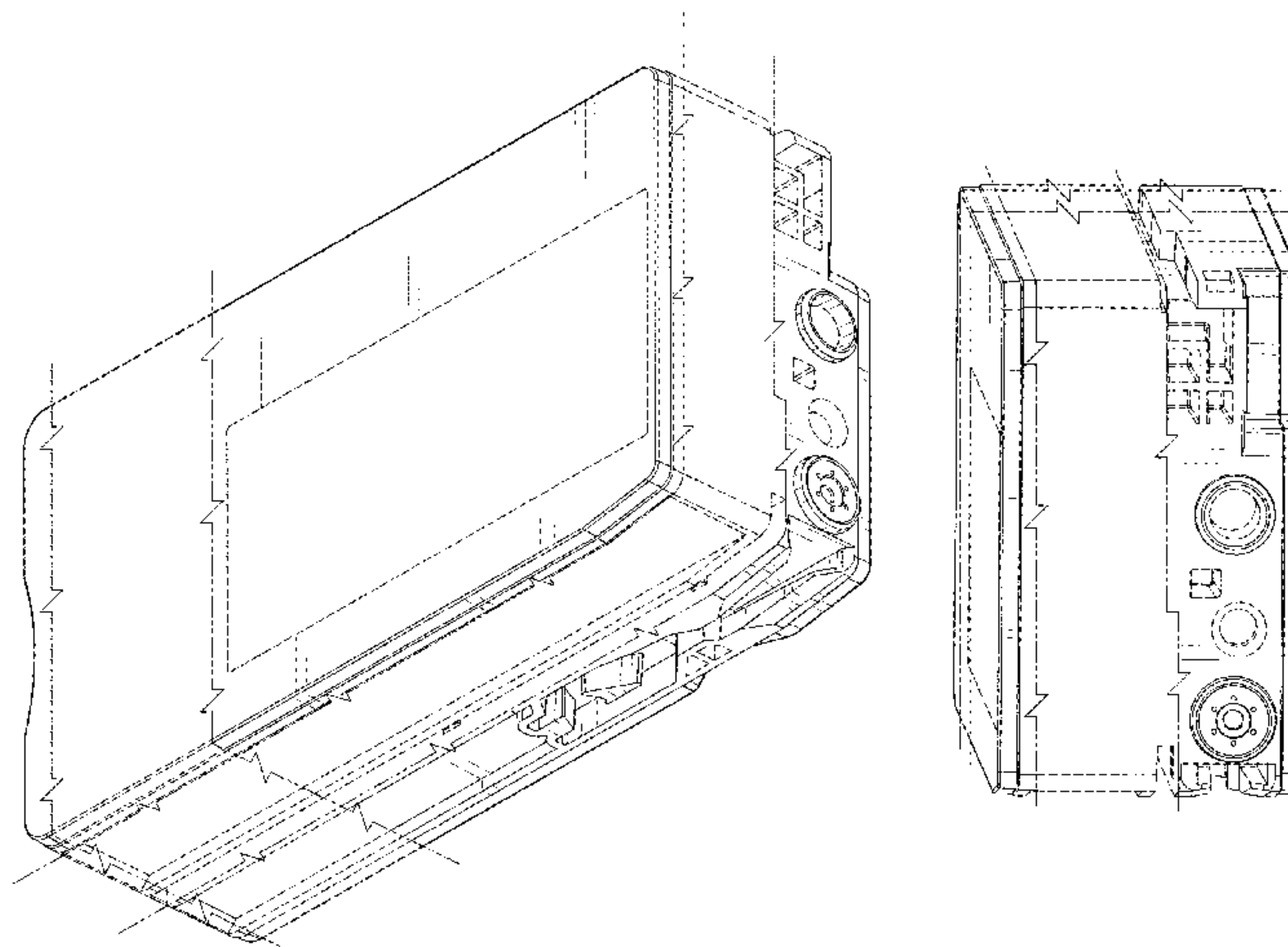
DESCRIPTION

FIG. 1 is a front, top, and left side perspective view of an ink cartridge;
 FIG. 2 is a rear, bottom, and right side perspective view thereof;
 FIG. 3 is another rear, top, and right side perspective view thereof;
 FIG. 4 is another rear, top, and left side perspective view thereof;
 FIG. 5 is a left side elevation view thereof;
 FIG. 6 is a right side elevation view thereof;
 FIG. 7 is a top plan view thereof;
 FIG. 8 is a bottom plan view thereof;
 FIG. 9 is a front elevation view thereof; and,
 FIG. 10 is a rear elevation view thereof.

Those portions of the Figures shown in broken lines are for illustration only and form no part of the claimed design.

The ink cartridge is shown with a symbolic break in its width and length. The broken away symbols on the drawings indicate the appearance of any portion of the article between the break lines forms no part of the claimed design.

1 Claim, 5 Drawing Sheets



Related U.S. Application Data

29/402,498, filed on Sep. 23, 2011, and a continuation of application No. 29/402,514, filed on Sep. 23, 2011, and a continuation of application No. 29/402,509, filed on Sep. 23, 2011, and a continuation of application No. 29/402,503, filed on Sep. 23, 2011, now Pat. No. Des. 680,582.

(56)

References Cited

U.S. PATENT DOCUMENTS

6,955,422 B2 10/2005 Miyazawa et al.
 7,018,027 B2 3/2006 Harada et al.
 7,125,108 B2 10/2006 Toba et al.
 D549,280 S 8/2007 Morino

D556,258 S 11/2007 Morino
 D585,090 S 1/2009 Ishizawa
 7,506,973 B2 3/2009 Steinmetz et al.
 7,552,997 B2 6/2009 Suzuki et al.
 D598,050 S 8/2009 Nozawa
 D611,532 S 3/2010 Nanjo et al.
 D656,183 S 3/2012 Nanjo et al.
 D656,186 S 3/2012 Oya et al.
 D678,406 S * 3/2013 Yonekawa et al. D18/56
 D680,165 S * 4/2013 Takagi et al. D18/56
 D681,728 S * 5/2013 Takagi et al. D18/56
 8,449,091 B2 * 5/2013 Kanbe et al. 347/86
 2005/0001888 A1 1/2005 Seino et al.
 2008/0165232 A1 7/2008 Yuen
 2008/0180495 A1 7/2008 Gonzales
 2008/0239036 A1 * 10/2008 Hattori 347/86
 2009/0141103 A1 6/2009 Takagi

* cited by examiner

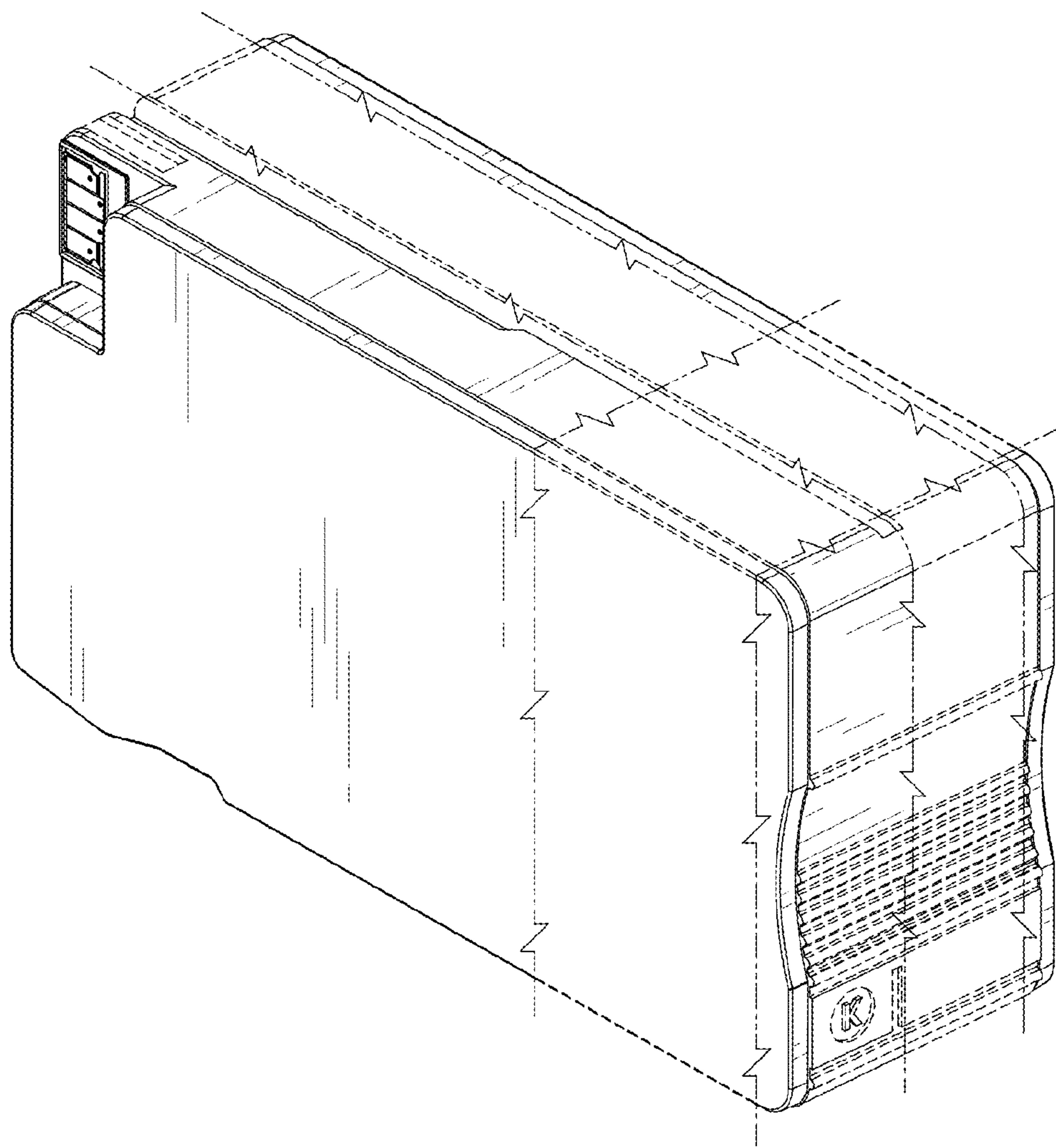


FIG. 1

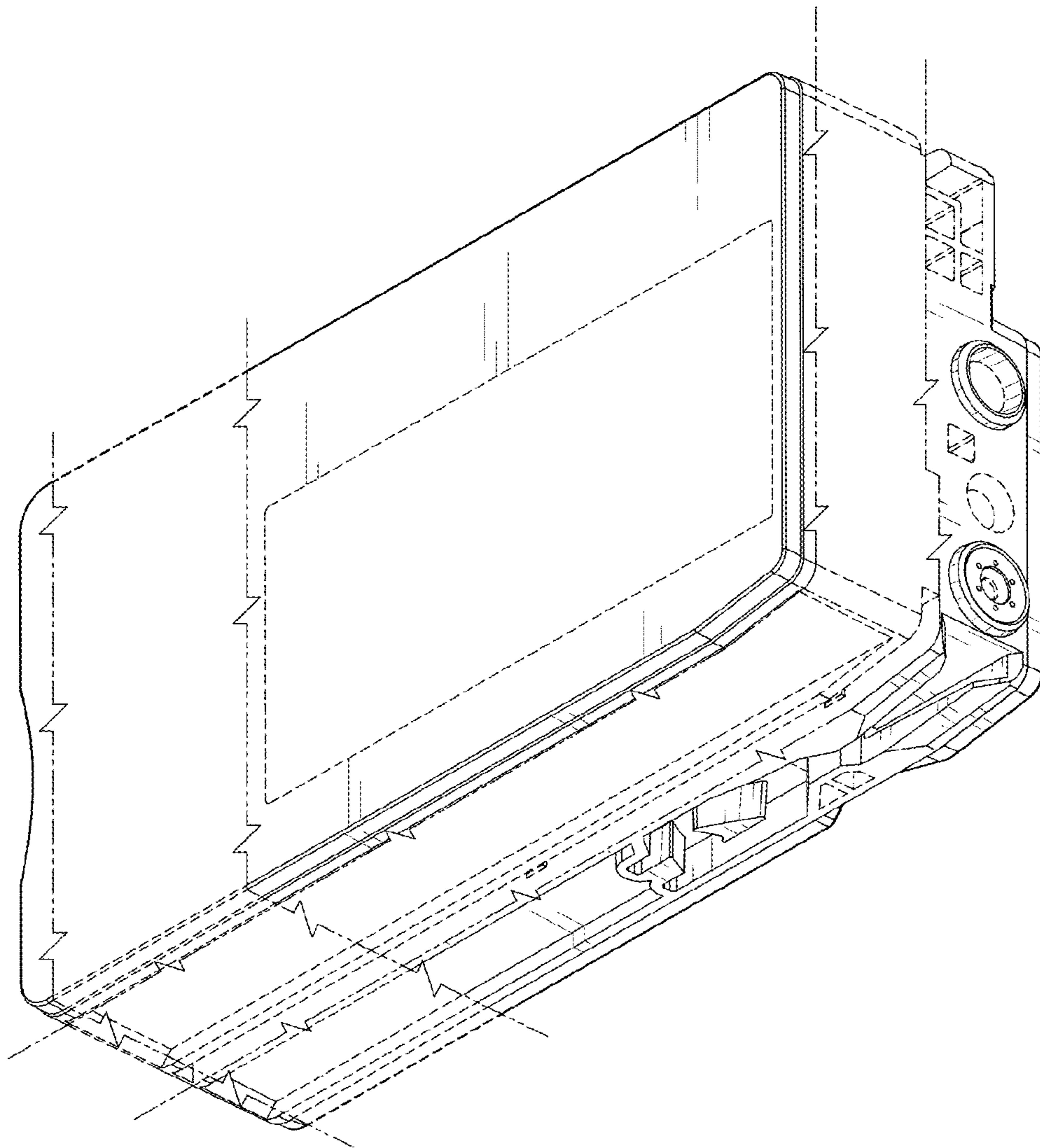


FIG. 2

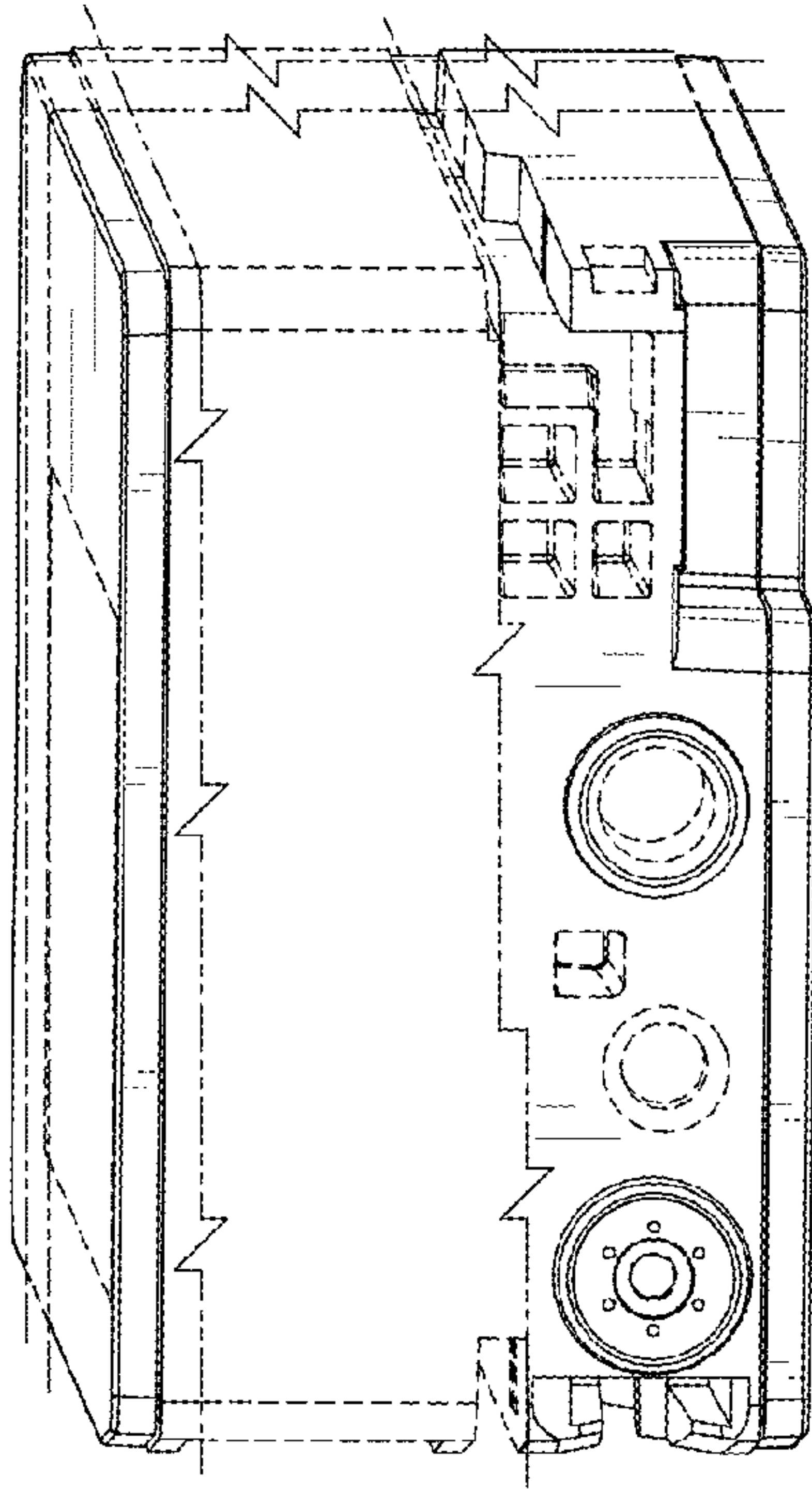


FIG. 3

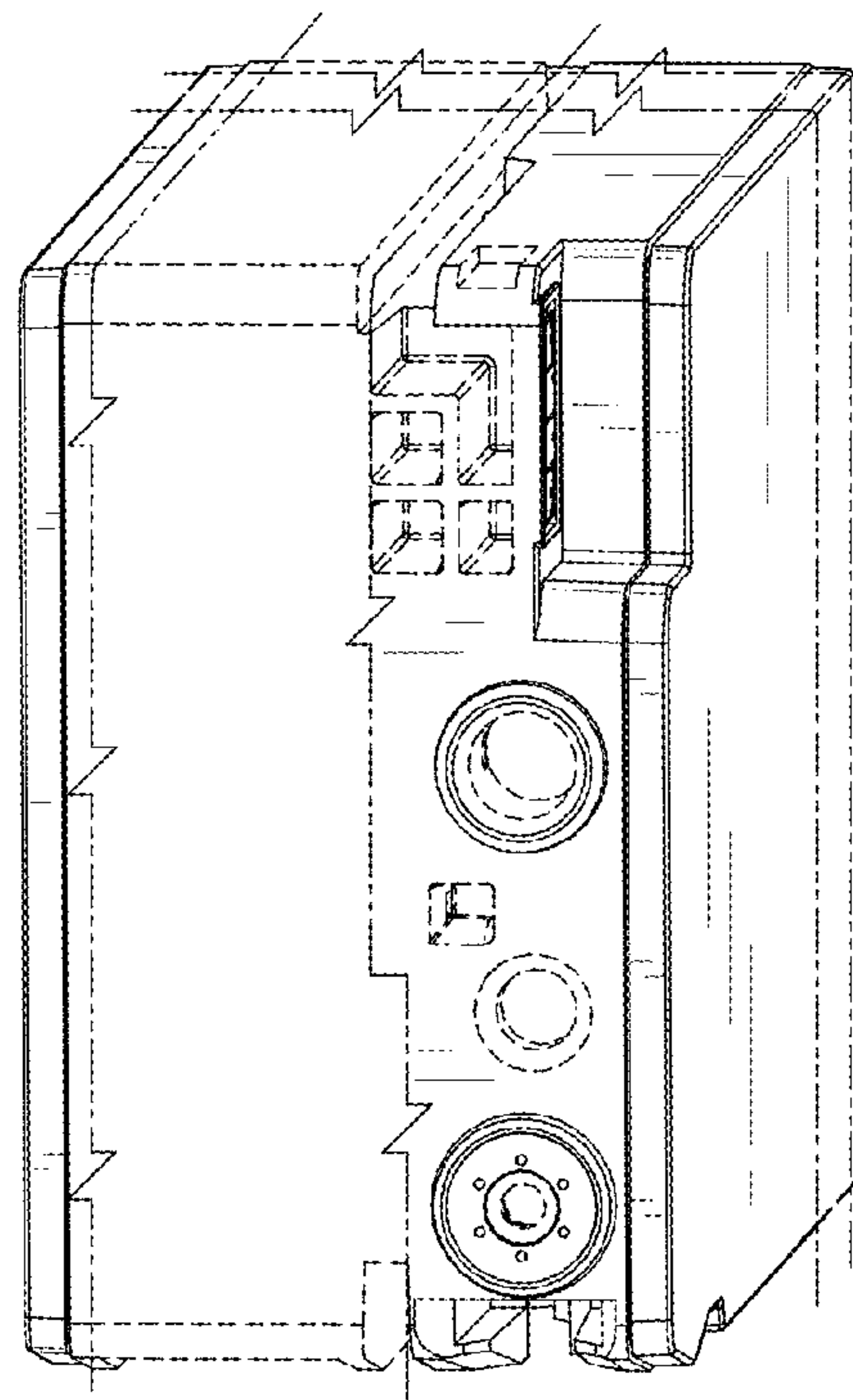


FIG. 4

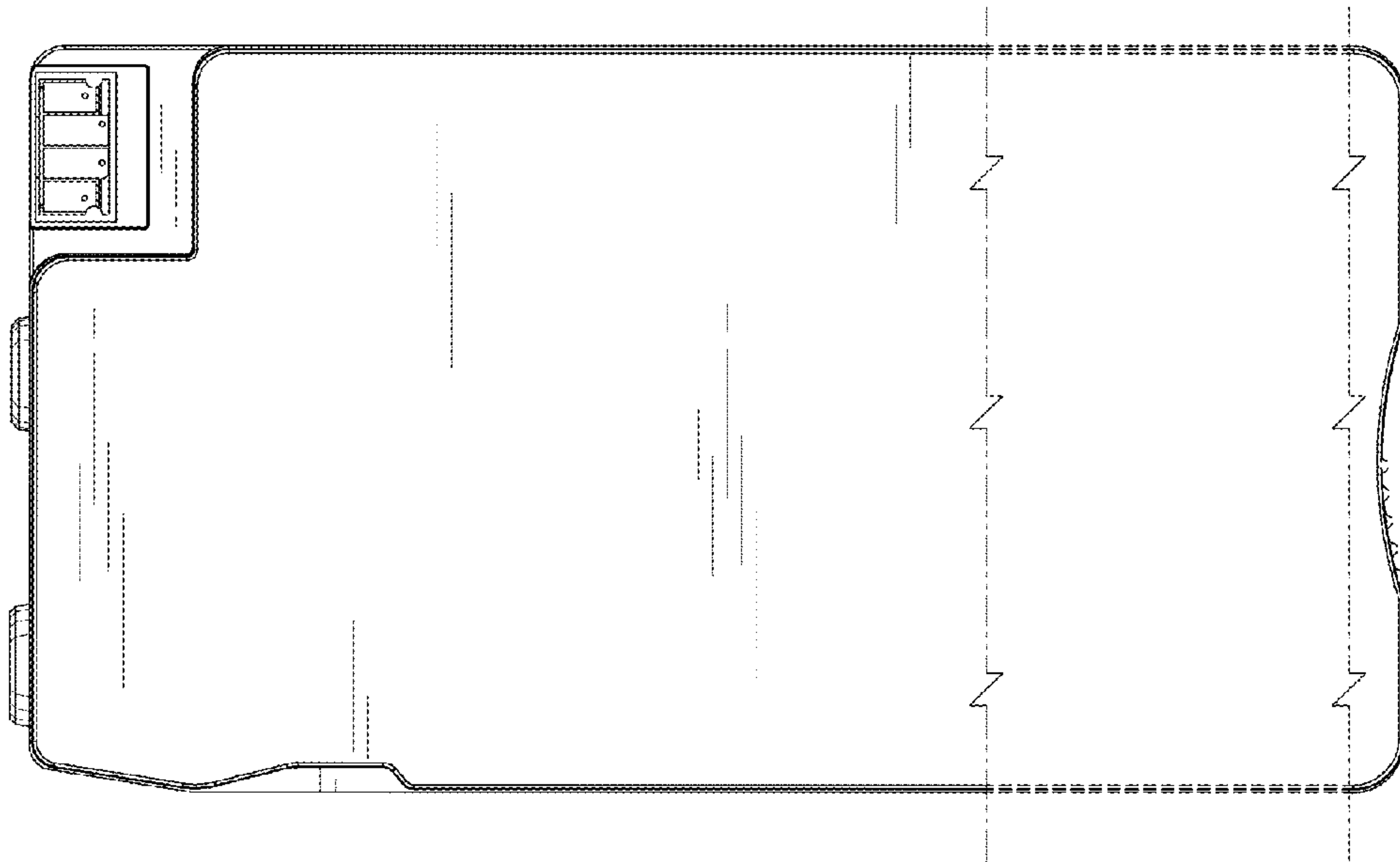


FIG. 5

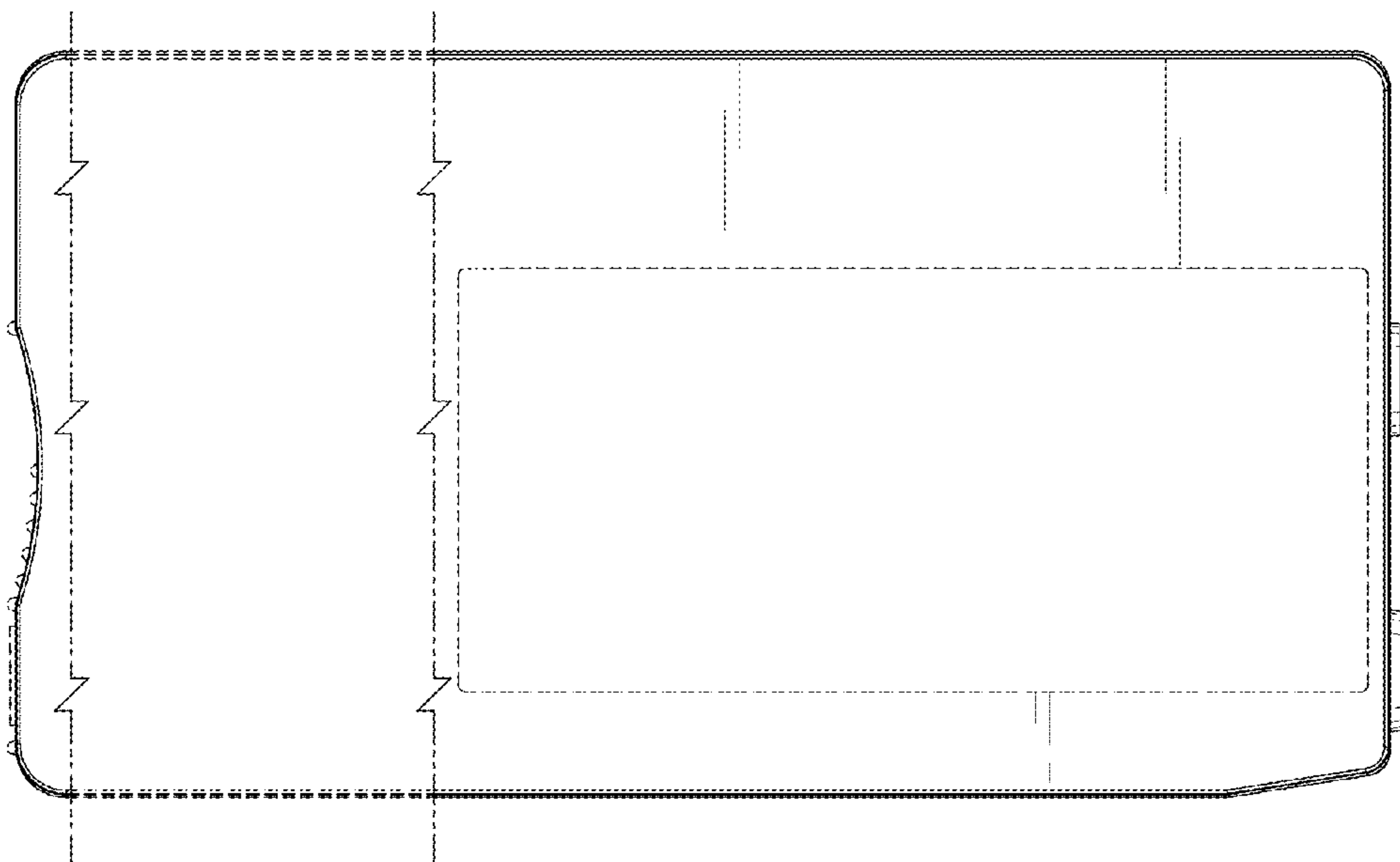


FIG. 6

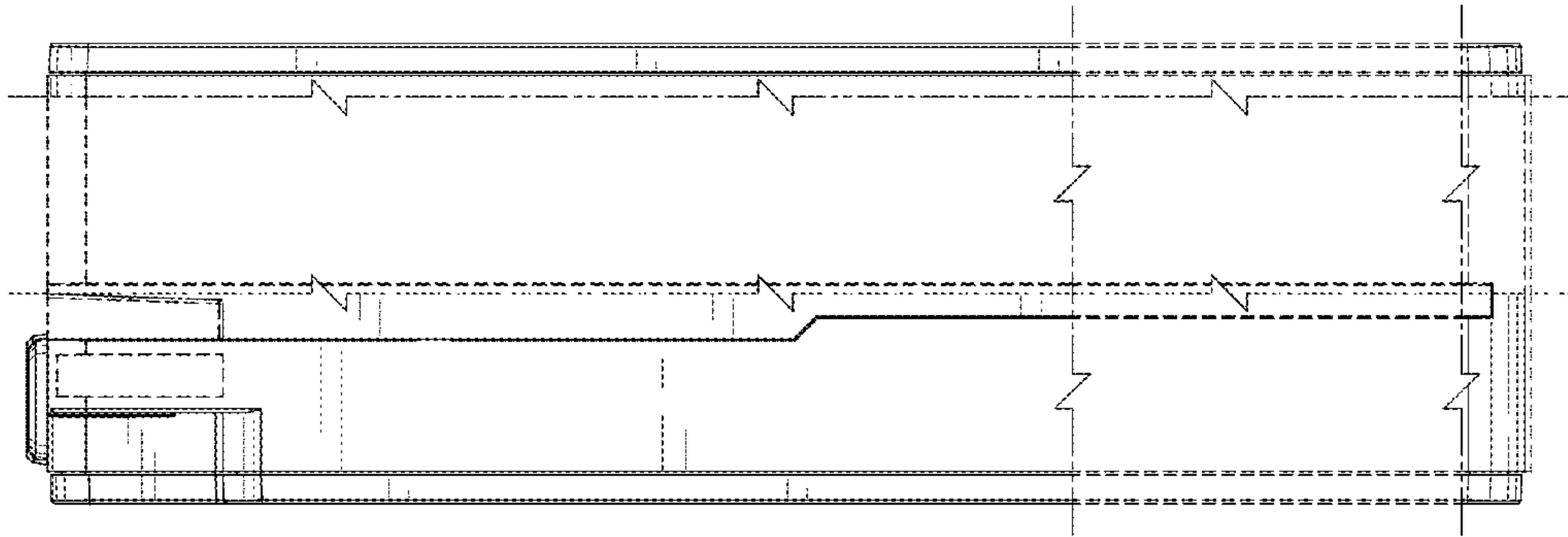


FIG. 7

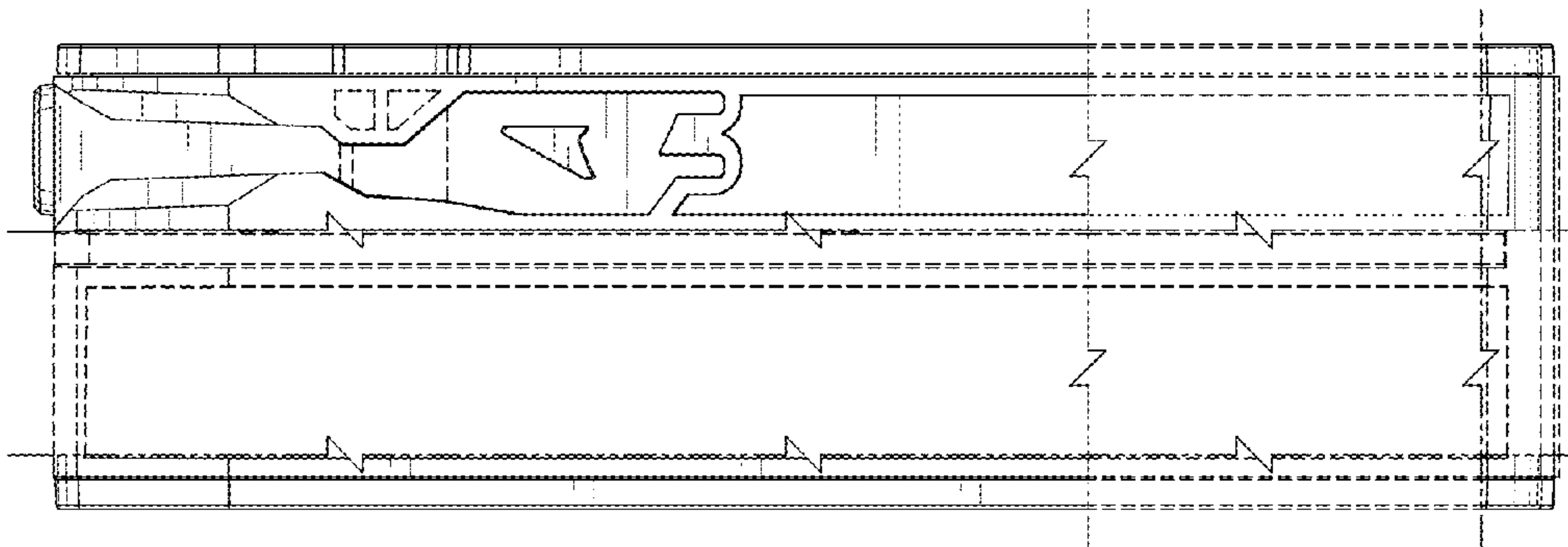


FIG. 8

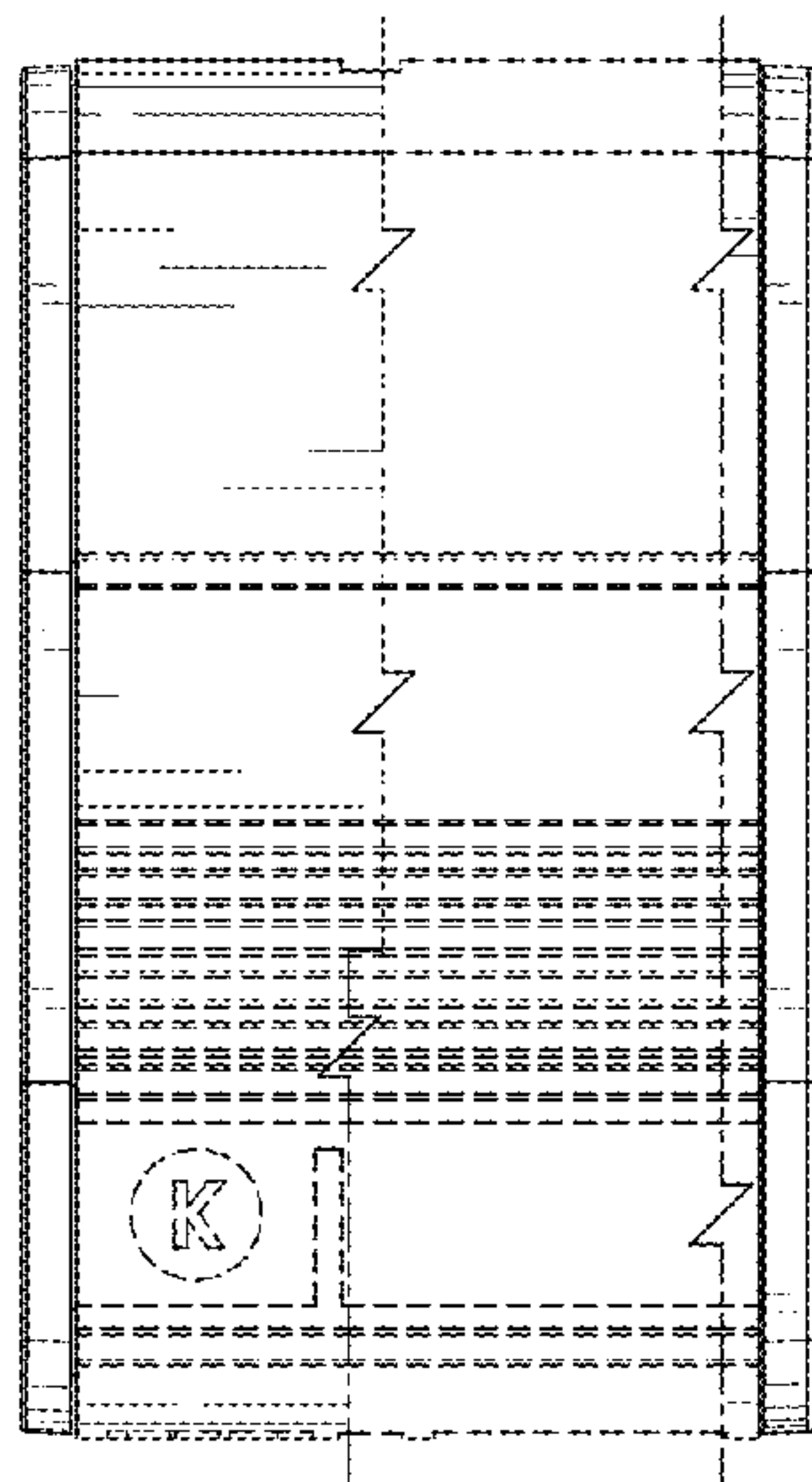


FIG. 9

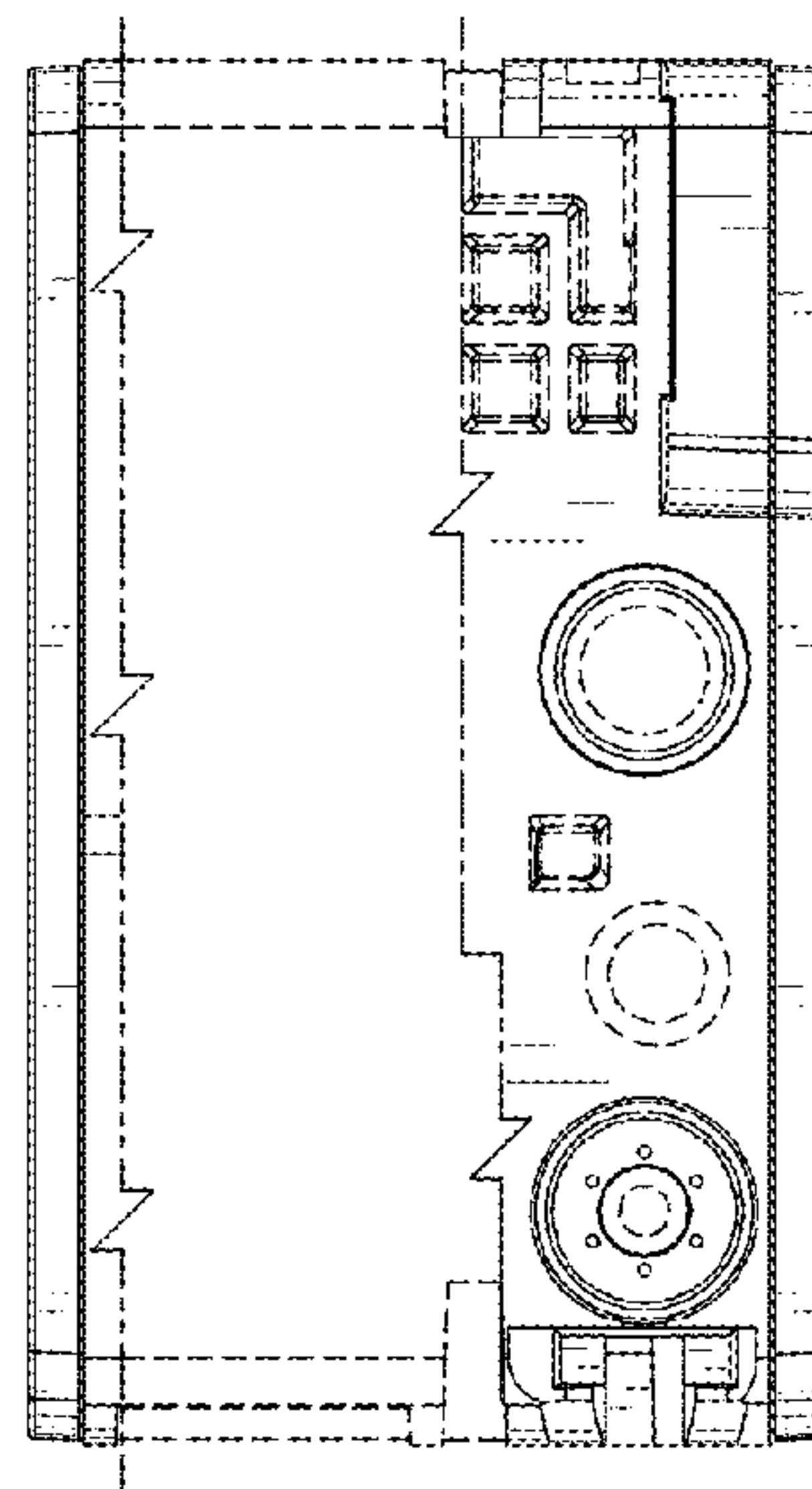


FIG. 10