

US00D729311S

(12) **United States Design Patent**
Campanini

(10) **Patent No.:** **US D729,311 S**

(45) **Date of Patent:** **** May 12, 2015**

(54) **PRINTER**

(71) Applicant: **Custom S.p.A.**, Fontevivo (IT)

(72) Inventor: **Alberto Campanini**, Fidenza (IT)

(73) Assignee: **Custom S.p.A.** (IT)

(**) Term: **14 Years**

(21) Appl. No.: **29/484,688**

(22) Filed: **Mar. 12, 2014**

(30) **Foreign Application Priority Data**

Sep. 18, 2013 (EM) 002312025

(51) **LOC (10) Cl.** **18-02**

(52) **U.S. Cl.**
USPC **D18/50; D18/53**

(58) **Field of Classification Search**
CPC ... G06K 15/12; G06K 15/14; H04N 1/00204;
H04N 1/00249; H04N 1/00278
USPC D18/50, 53, 56, 59, 36, 38, 39, 40, 41,
D18/45; D14/301, 307; 399/16, 75, 81, 131,
399/151, 361, 365, 367, 381-385, 388
See application file for complete search history.

(56) **References Cited**

U.S. PATENT DOCUMENTS

2,366,106 A * 12/1944 Helmond 400/693
D293,578 S * 1/1988 Matsumoto et al. D18/55

D345,353 S * 3/1994 Dietrich D14/462
D352,731 S * 11/1994 Sugimoto D18/50
D369,180 S * 4/1996 Fukaya et al. D18/50
5,825,985 A * 10/1998 Asai et al. 358/1.8
D409,233 S * 5/1999 Kondo D18/54
6,219,077 B1 * 4/2001 Suzuki 347/171
D443,889 S * 6/2001 Yamano et al. D18/50
6,381,430 B1 * 4/2002 Yokomori et al. 399/119
D475,083 S * 5/2003 Kusanagi D18/50
D689,924 S * 9/2013 Sakai et al. D18/50
D699,726 S * 2/2014 Seki et al. D14/422

* cited by examiner

Primary Examiner — Bridget L Eland

(74) *Attorney, Agent, or Firm* — Laubscher, Spendlove & Laubscher, P.C.

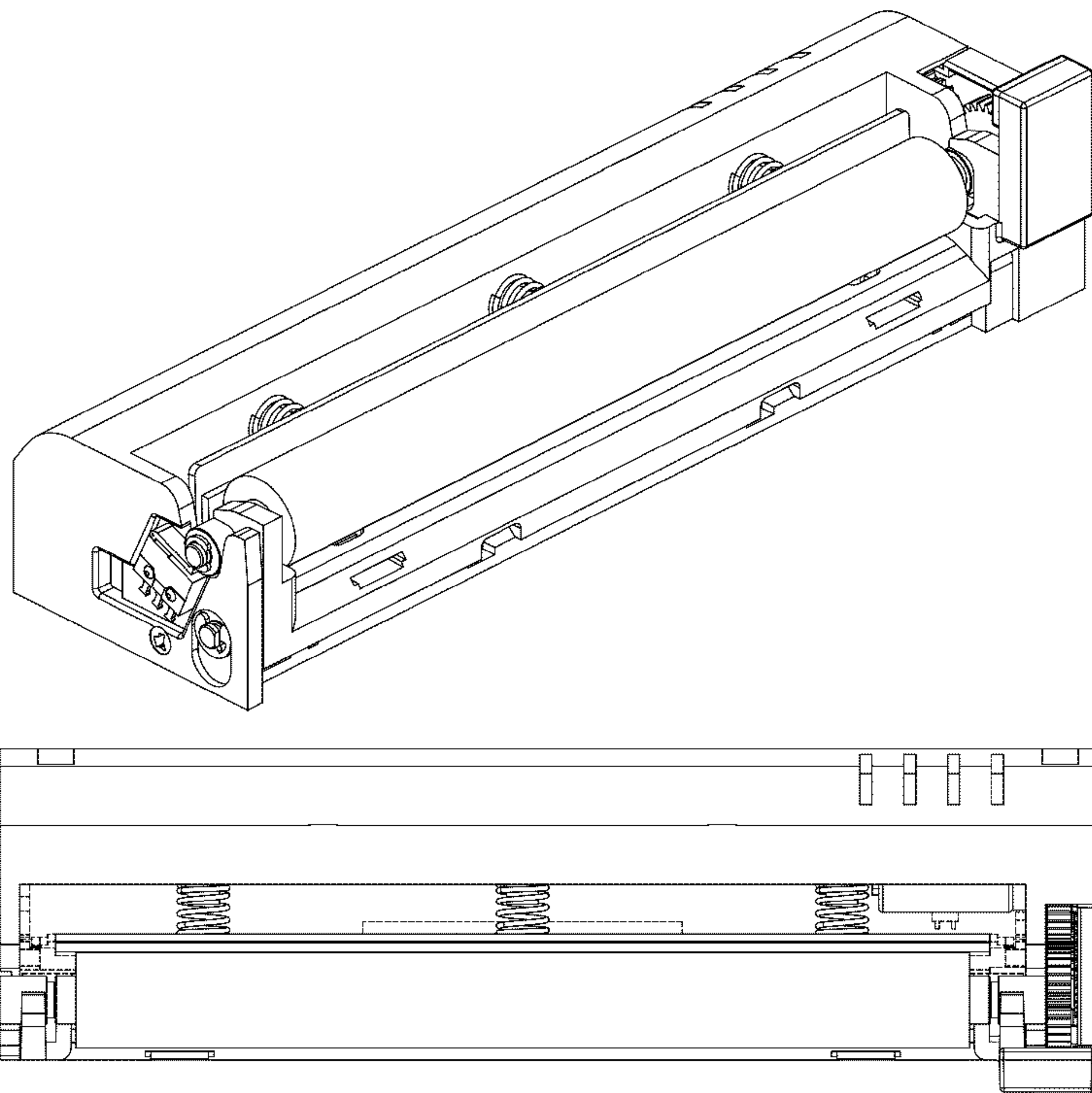
(57) **CLAIM**

The ornamental design for a printer, as shown and described.

DESCRIPTION

FIG. 1 is a front perspective view of the invention illustrating my design;
FIG. 2 is a rear perspective view thereof;
FIG. 3 is a front elevation view thereof;
FIG. 4 is a rear elevation view thereof;
FIG. 5 is a right side elevation view thereof;
FIG. 6 is a left side elevation view thereof; and,
FIG. 7 is a top elevation view thereof.
The broken lines shown in the views are included for the purpose of illustrating portions of the printer that form no part of the claimed design.

1 Claim, 7 Drawing Sheets



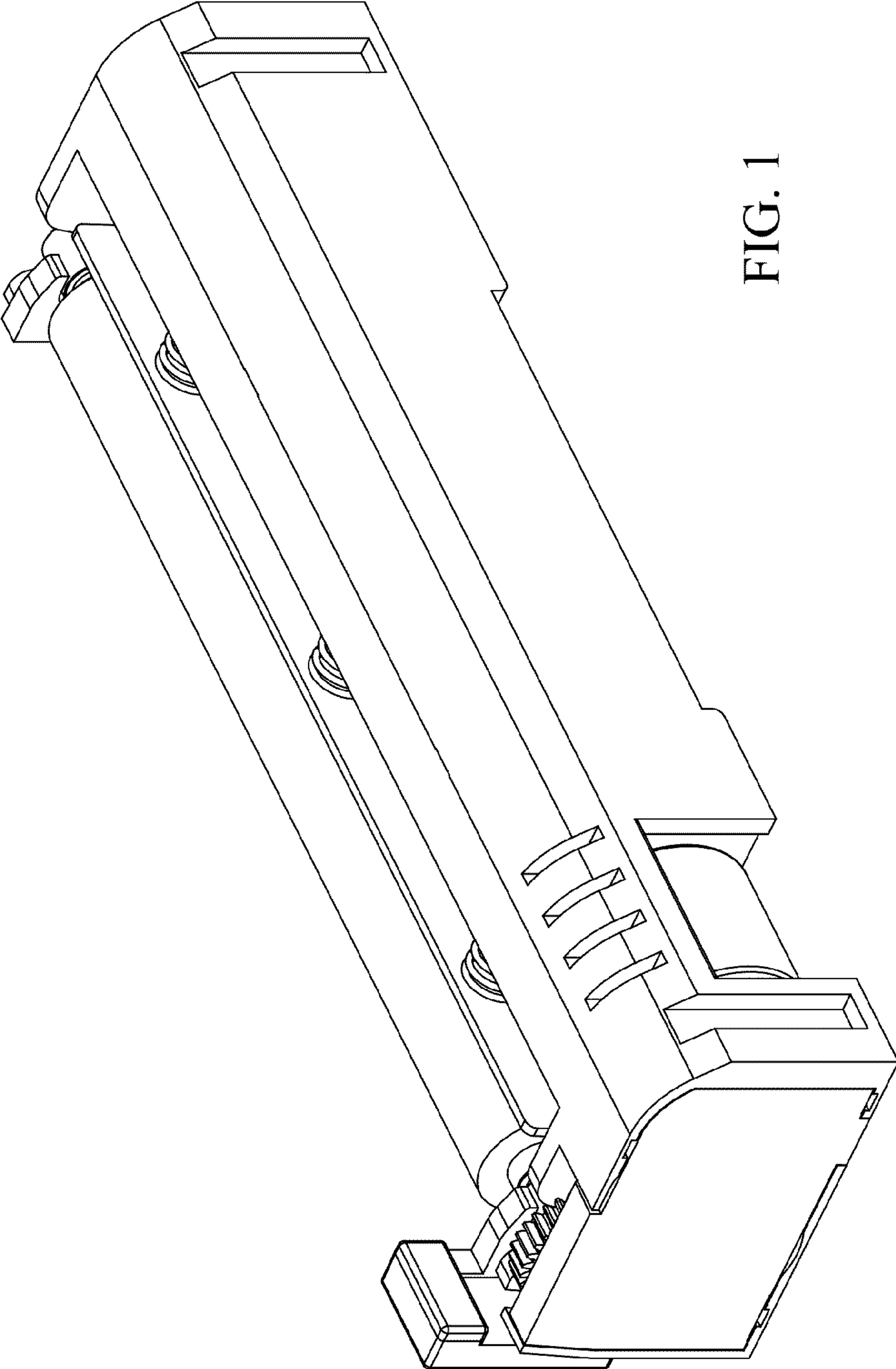


FIG. 1

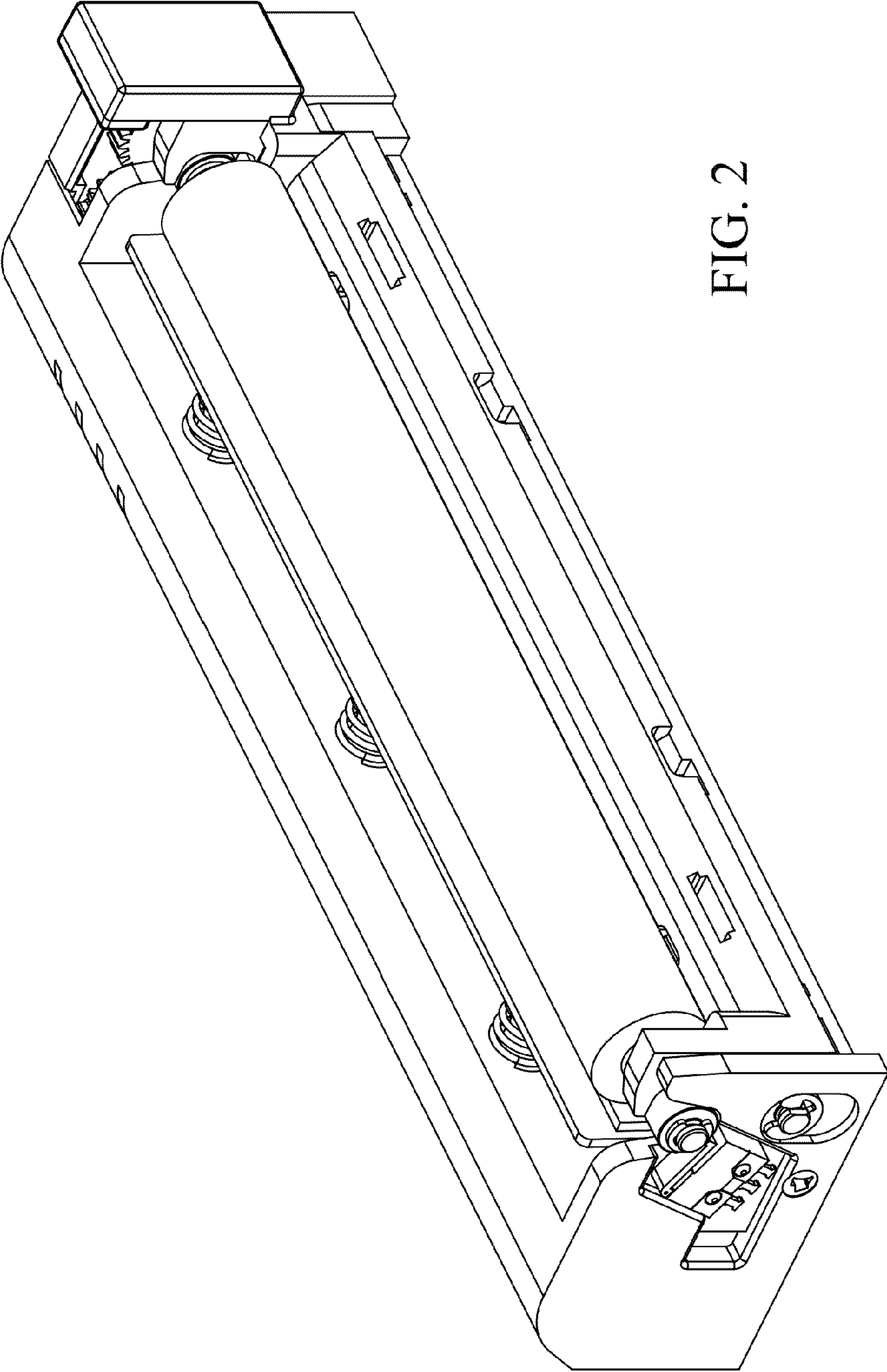


FIG. 2

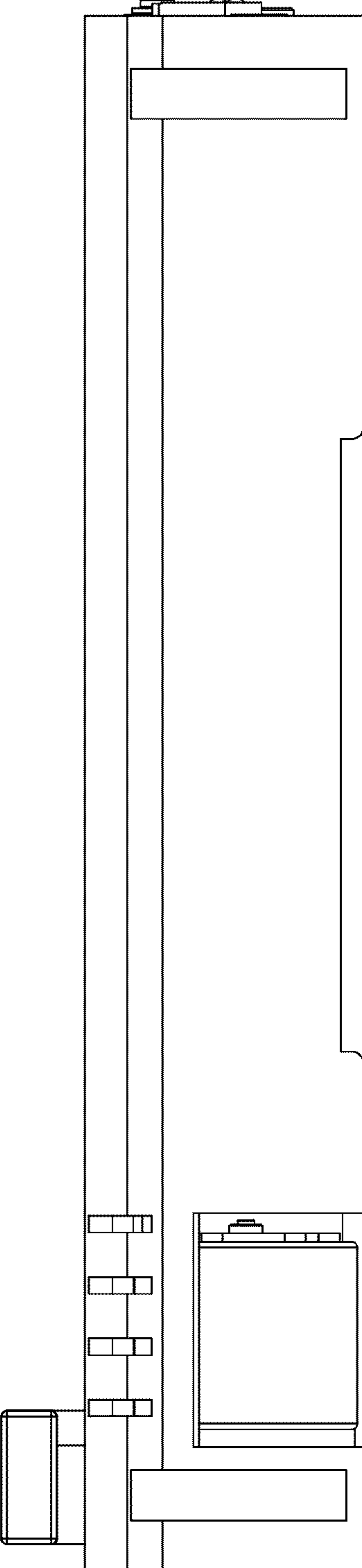


FIG. 3

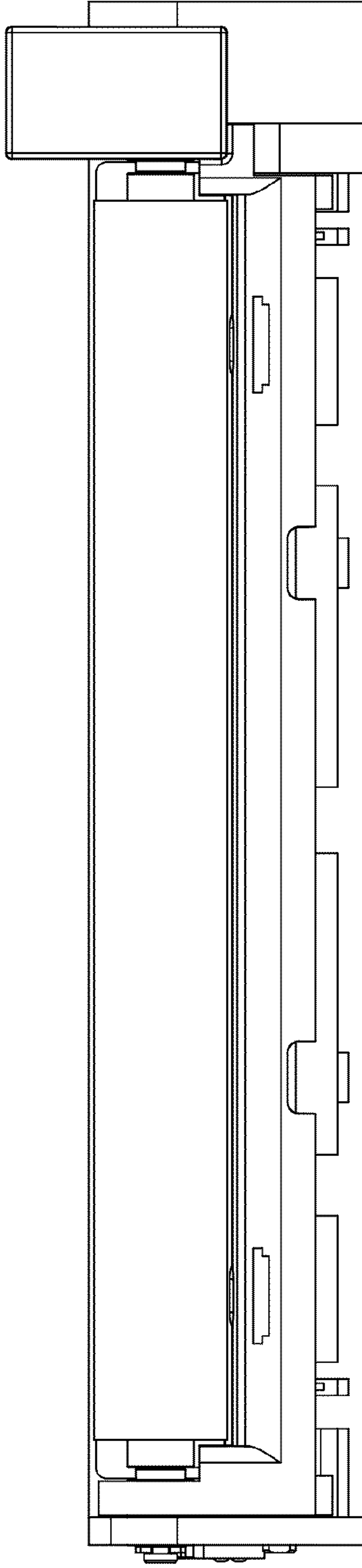


FIG. 4

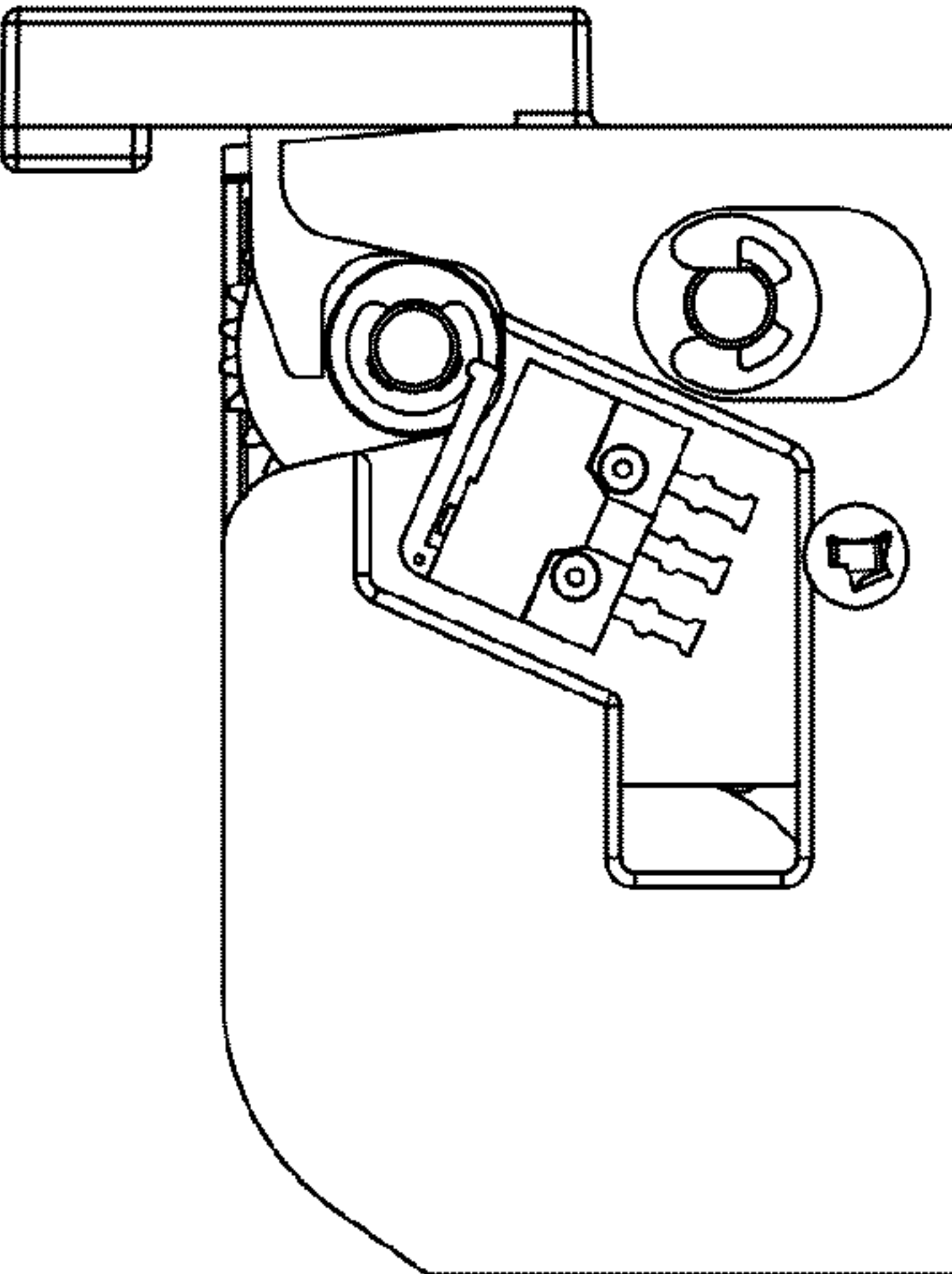


FIG. 5

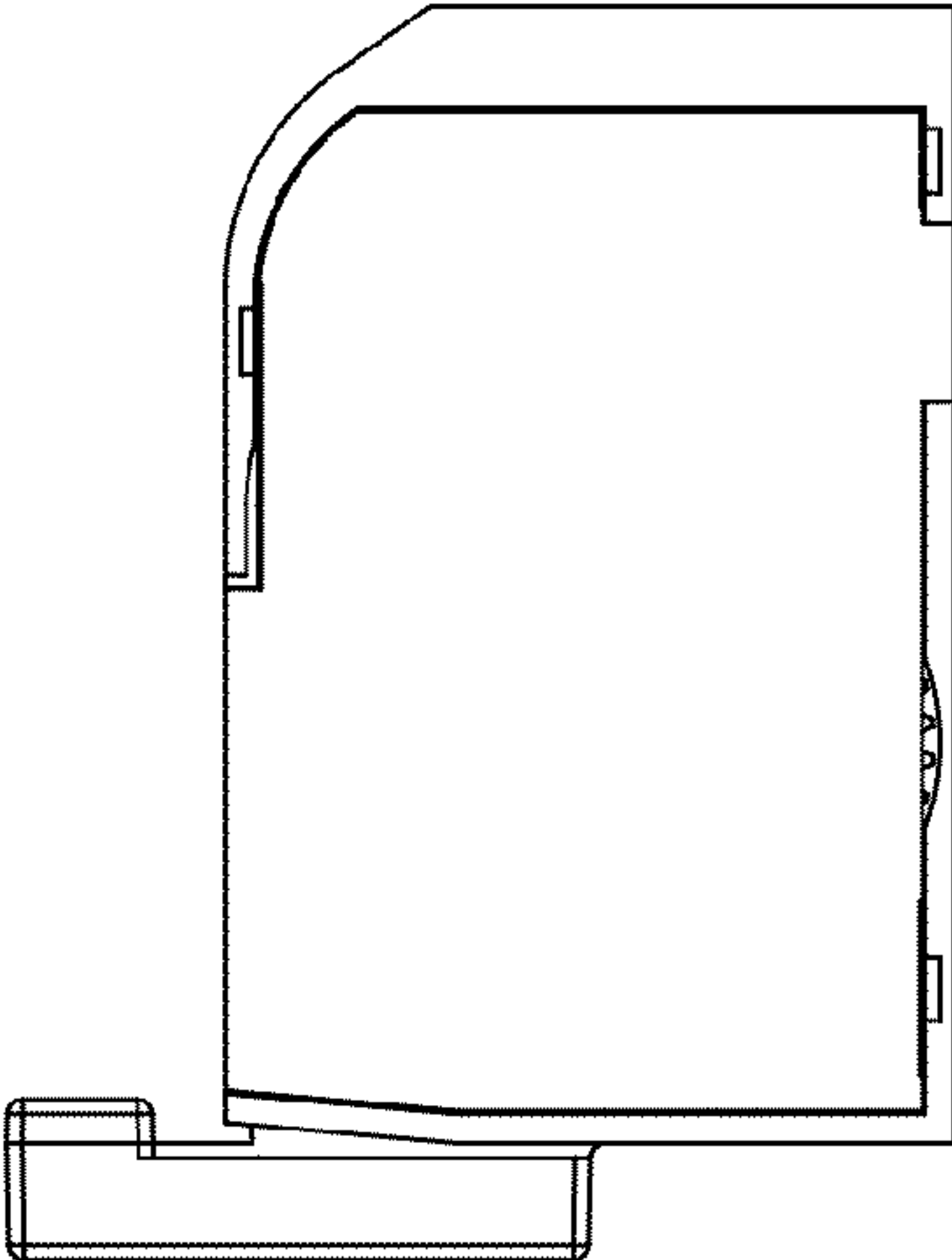


FIG. 6

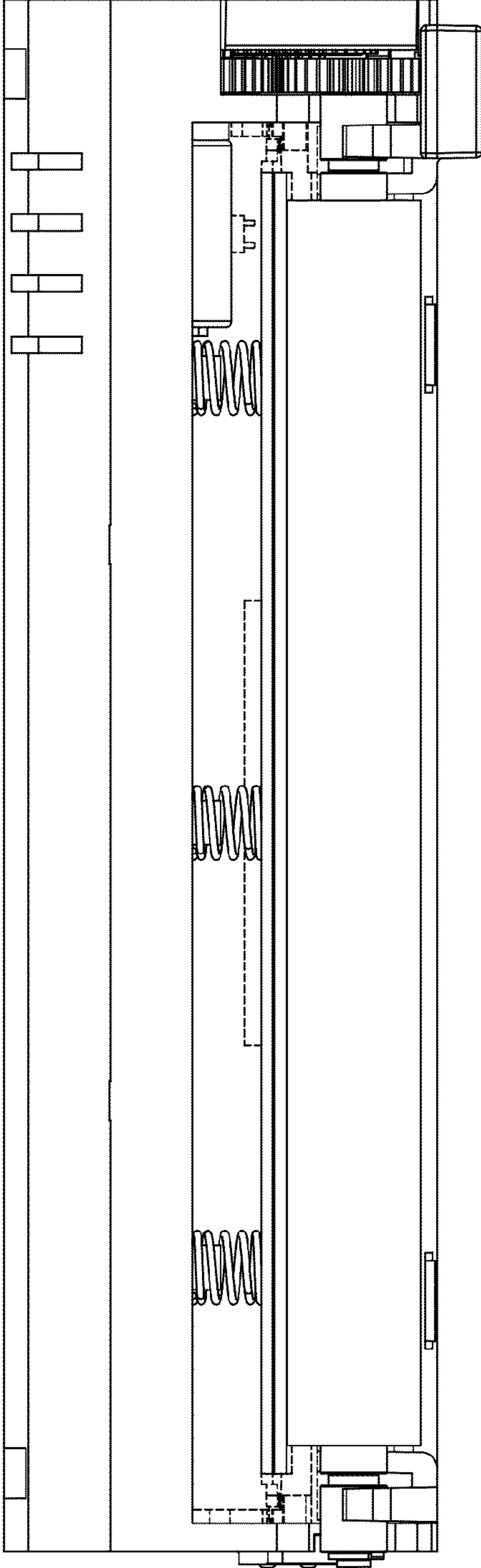


FIG. 7