



US00D729309S

(12) **United States Design Patent**  
**Jun et al.**

(10) **Patent No.:** **US D729,309 S**  
(45) **Date of Patent:** **\*\* May 12, 2015**

(54) **THREE-DIMENSIONAL PRINTER**

(71) Applicant: **Pirate3DP Pte. Ltd.**, Singapore (SG)

(72) Inventors: **Tsang You Jun**, Singapore (SG); **Chang Wai Kit Roger**, Singapore (SG); **Goh Kheng Leng Brendan**, Singapore (SG); **Neo Kok Beng**, Singapore (SG)

(73) Assignee: **Pirate3DP Pte. Ltd.**, Singapore (SG)

(\*\*) Term: **14 Years**

(21) Appl. No.: **29/459,957**

(22) Filed: **Jul. 5, 2013**

(30) **Foreign Application Priority Data**

Apr. 12, 2013 (SG) ..... D2013-695/I

(51) **LOC (10) Cl.** ..... **18-02**

(52) **U.S. Cl.**  
USPC ..... **D18/50**

(58) **Field of Classification Search**  
USPC ..... D18/14, 19, 36-39, 50, 53, 54, 54.1, D18/55; D15/135; D14/420-425, 462-470, D14/300-301, 308; 400/613, 613.1-613.4, 400/690.1-690.4, 691-694, 300-301, 308; 101/38.1; 134/21, 37; 264/113, 308, 264/401, 497, 642; 425/74.4; 700/117, 119  
See application file for complete search history.

(56) **References Cited**

**U.S. PATENT DOCUMENTS**

660,349 A \* 10/1900 Turnbull ..... 251/167  
D270,447 S \* 9/1983 Hara ..... D14/308

D276,724 S \* 12/1984 Hara et al. .... D14/308  
5,092,688 A \* 3/1992 Haennelt et al. .... 400/613  
D420,371 S \* 2/2000 Strong et al. .... D15/135  
D501,502 S \* 2/2005 Scully et al. .... D18/50  
7,037,382 B2 \* 5/2006 Davidson et al. .... 134/21  
7,172,715 B2 \* 2/2007 Swanson et al. .... 264/308  
7,686,995 B2 \* 3/2010 Davidson et al. .... 264/113  
7,819,055 B2 \* 10/2010 Tezuka et al. .... 101/38.1  
8,017,055 B2 \* 9/2011 Davidson et al. .... 264/308  
8,252,223 B2 \* 8/2012 Medina et al. .... 264/308  
D677,723 S \* 3/2013 Buel et al. .... D18/59  
D688,741 S \* 8/2013 Joyce ..... D18/50  
8,546,717 B2 \* 10/2013 Stecker ..... 264/497  
2001/0019340 A1 \* 9/2001 Kubo et al. .... 347/1  
2006/0192322 A1 \* 8/2006 Abe et al. .... 264/497

\* cited by examiner

*Primary Examiner* — Cathy A MacCormac

(74) *Attorney, Agent, or Firm* — MKG, LLC

(57) **CLAIM**

What is claimed is, the ornamental design for a three-dimensional printer, as shown and described.

**DESCRIPTION**

FIG. 1 is a perspective view of a three-dimensional printer according to the present invention;  
FIG. 2 is a top view of the three-dimensional printer of FIG. 1;  
FIG. 3 is a rear view of the three-dimensional printer of FIG. 1;  
FIG. 4 is a front view of the three-dimensional printer of FIG. 1; and,  
FIG. 5 is a left side view of the three-dimensional printer of FIG. 1, the right side is identical to the left side shown.  
The broken lines are for illustration only and form no part of the claimed design.

**1 Claim, 5 Drawing Sheets**

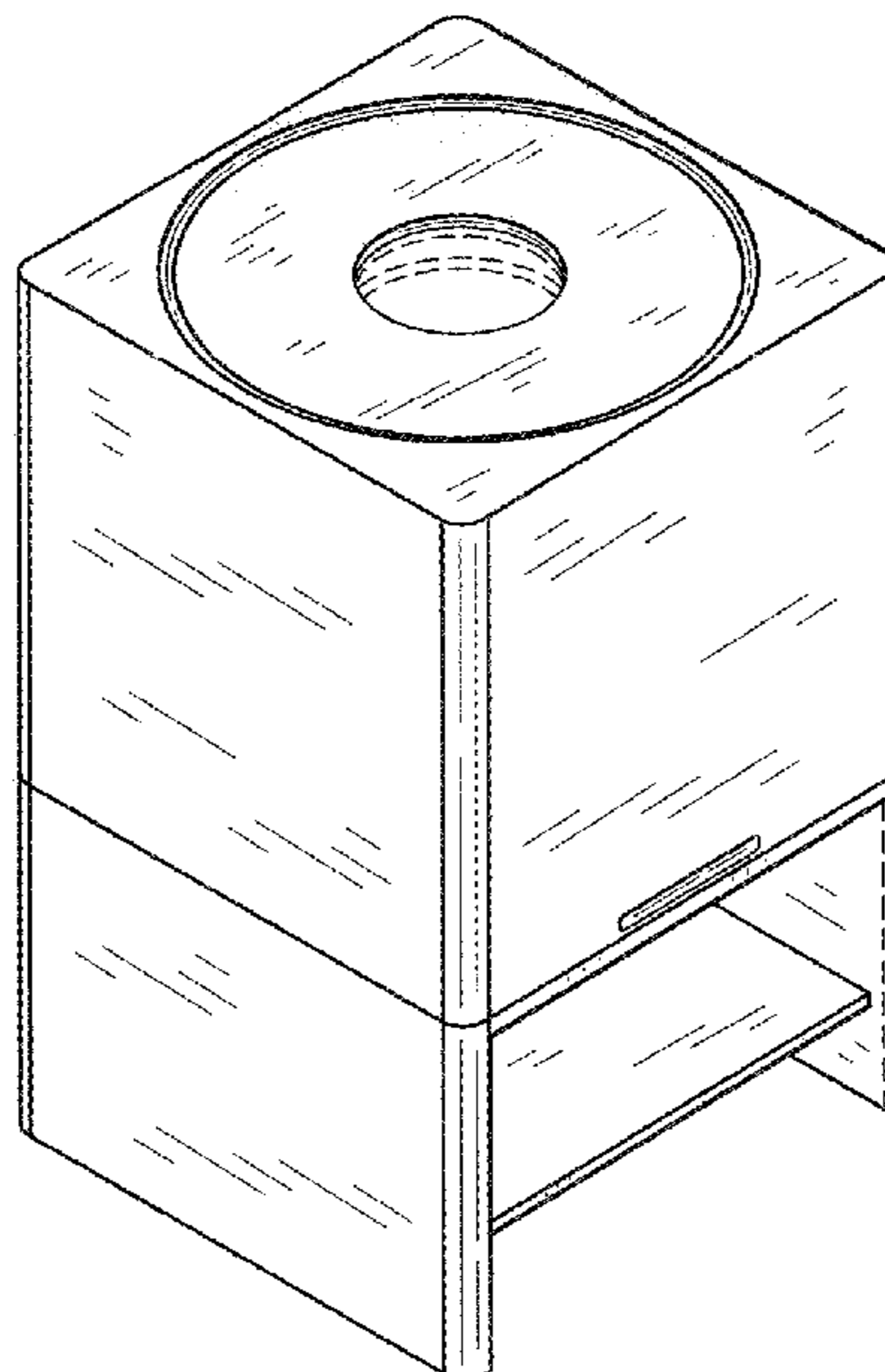


FIG. 1

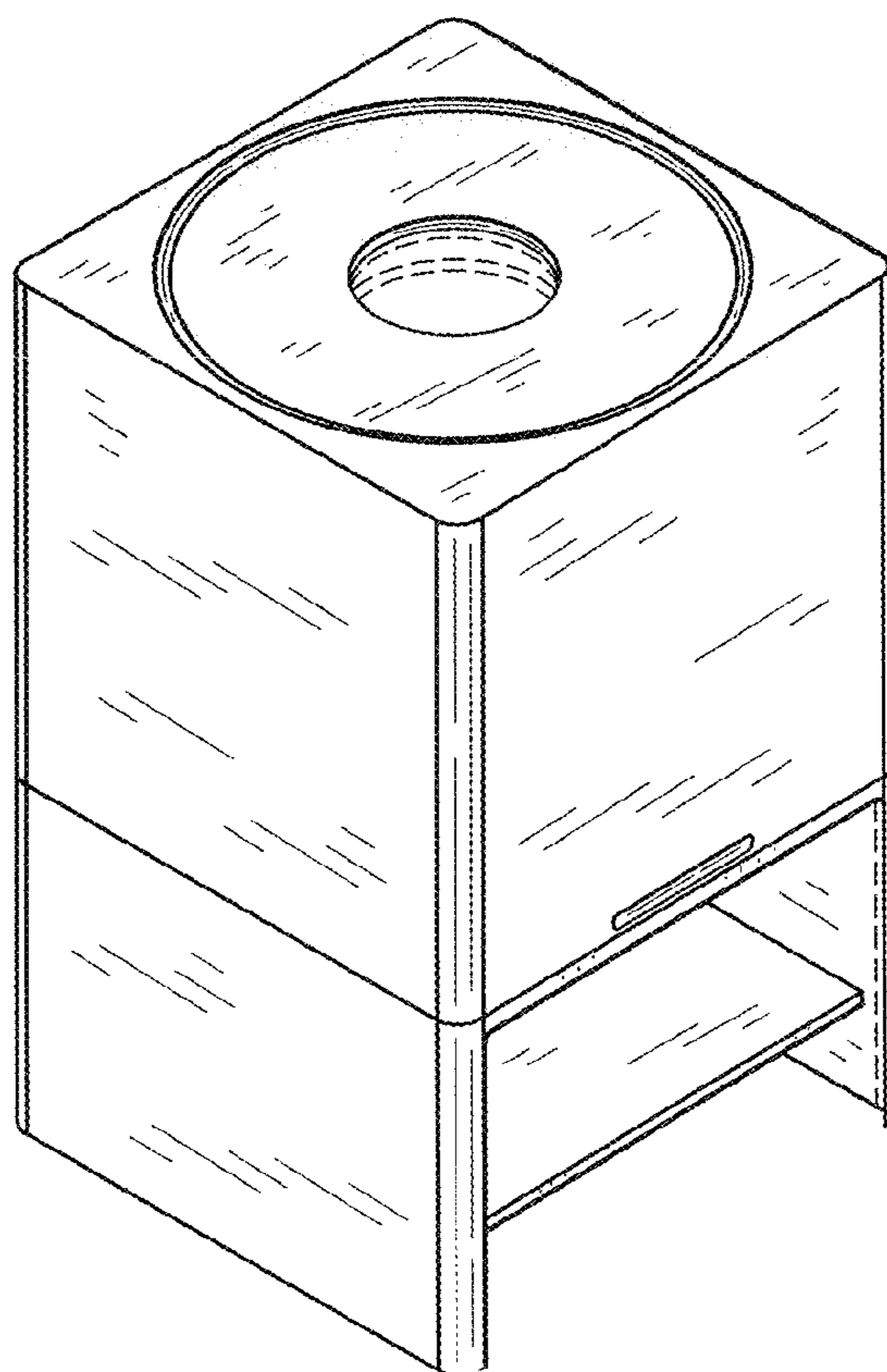


FIG. 2

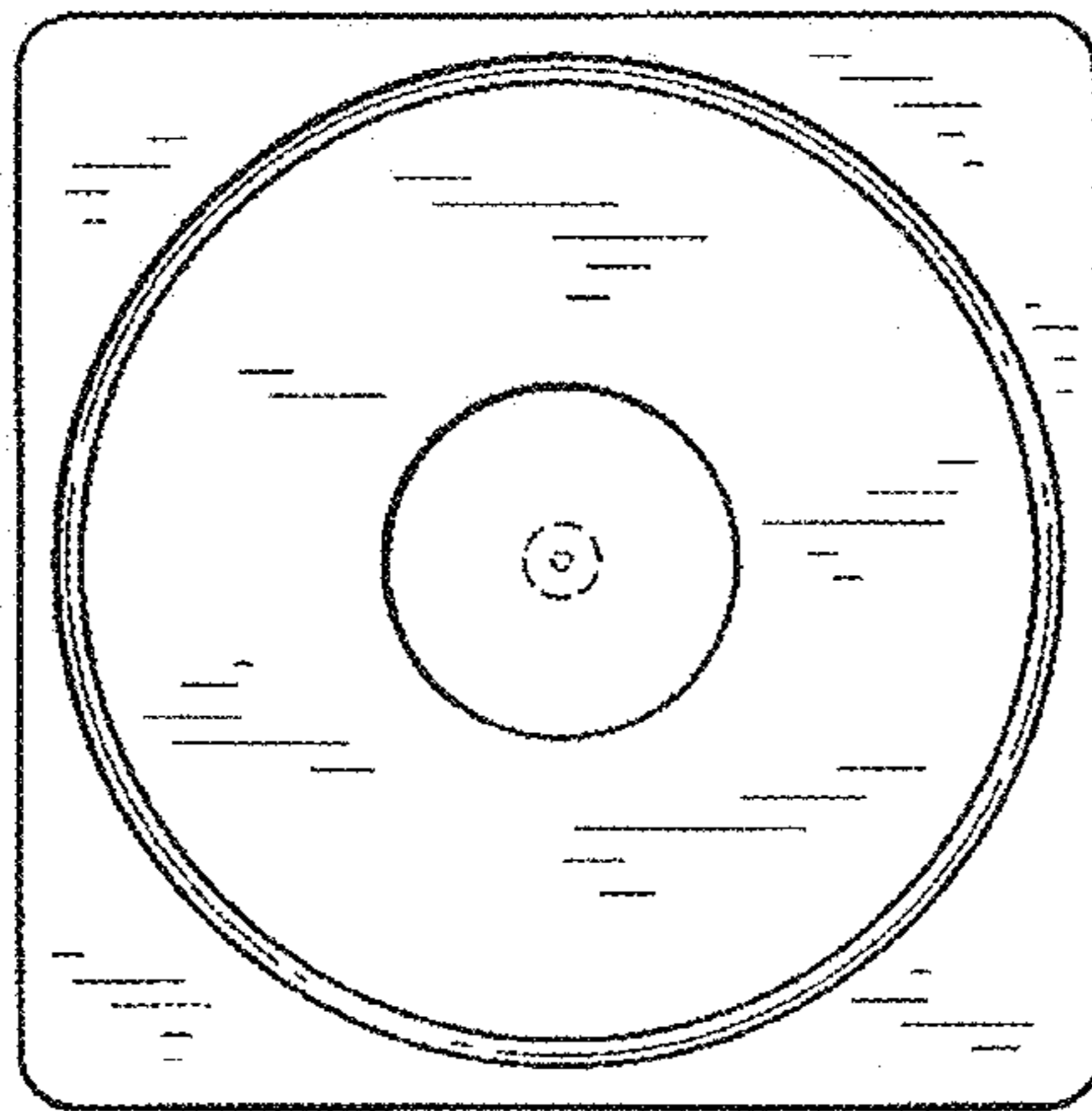


FIG. 3

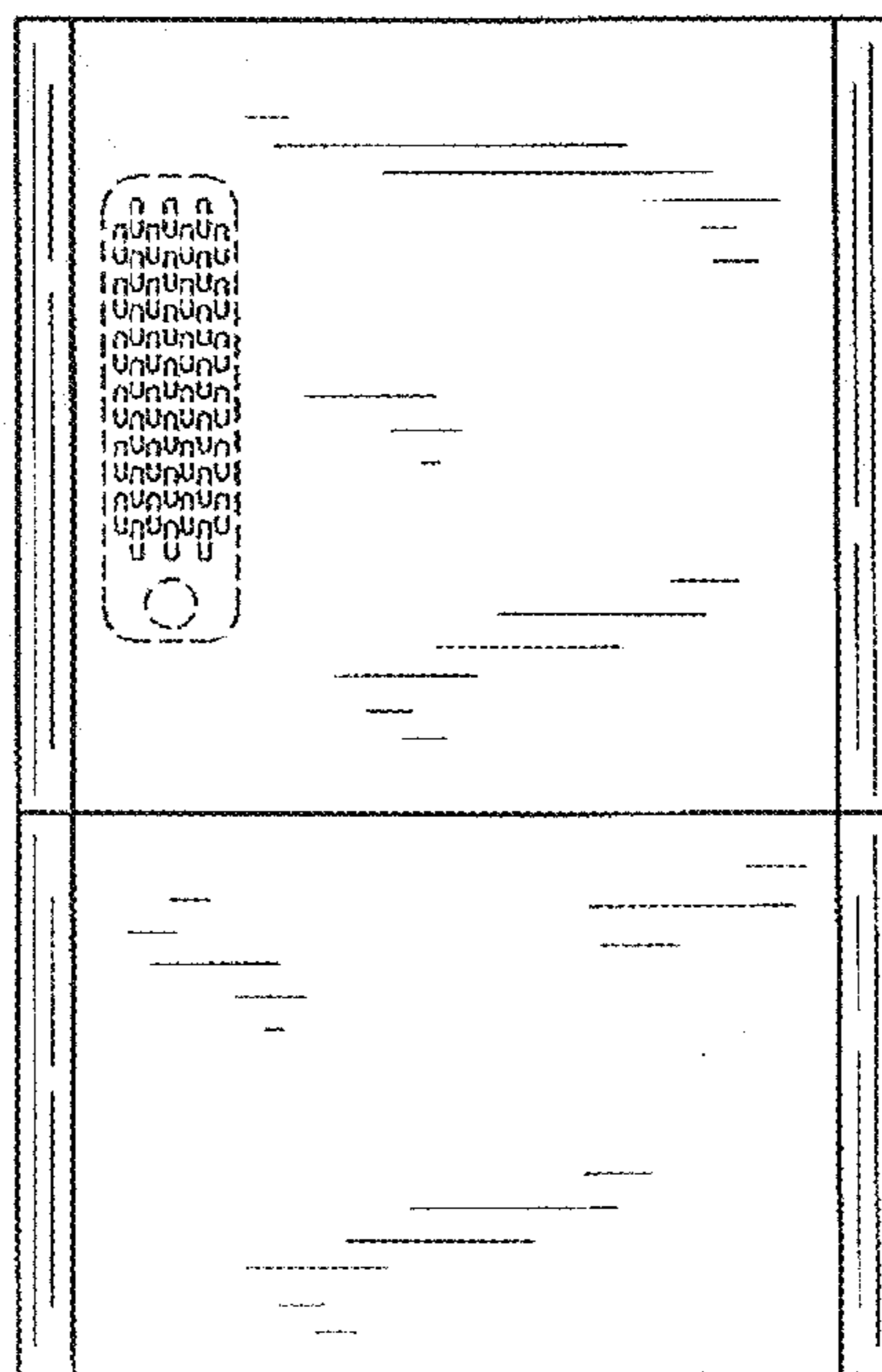


FIG. 4

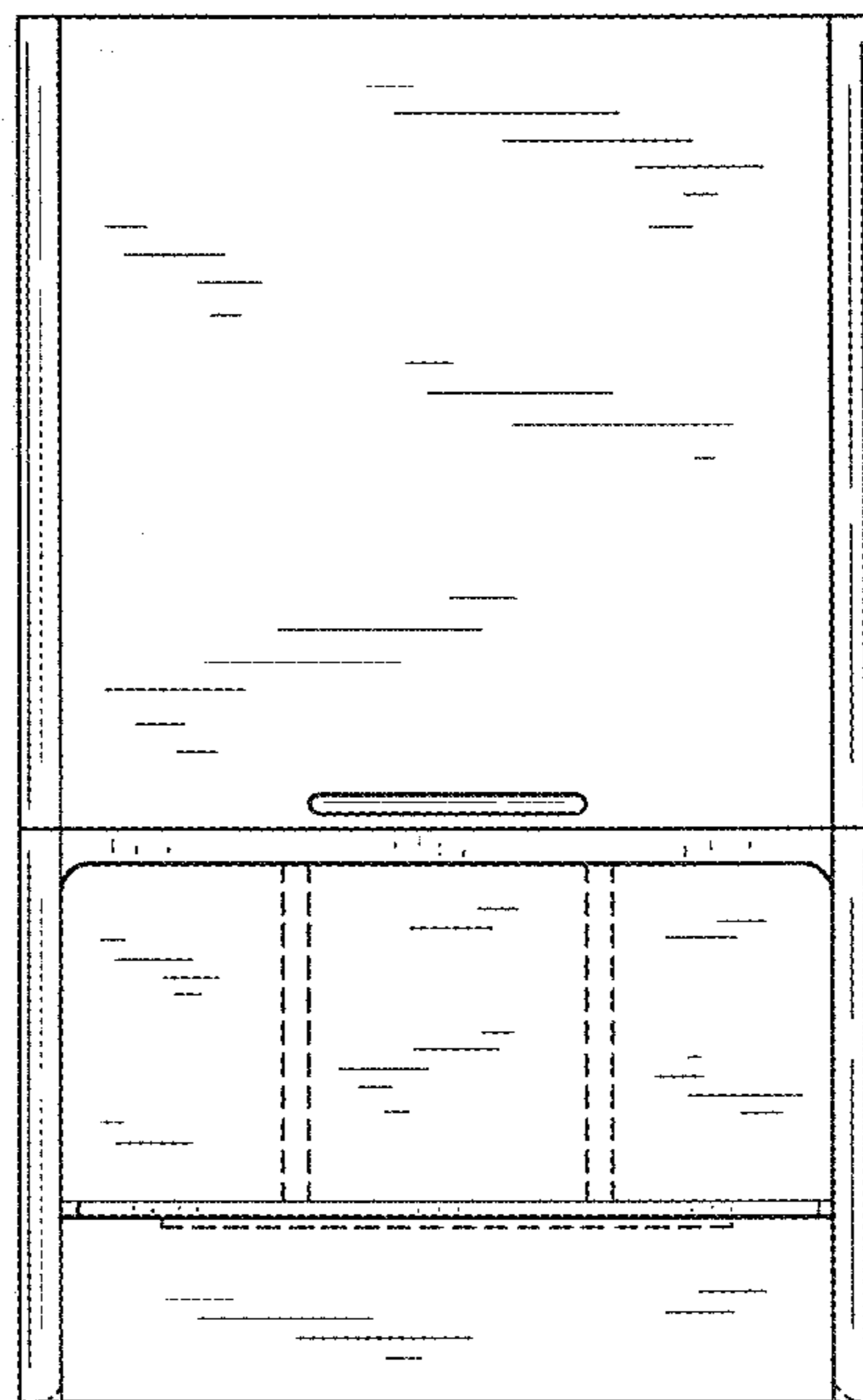


FIG. 5

