



US00D729303S

(12) **United States Design Patent**  
**Laperriere et al.**

(10) **Patent No.:** **US D729,303 S**

(45) **Date of Patent:** **\*\* May 12, 2015**

(54) **SPORTS EYEWEAR**

(71) Applicant: **Salomon S.A.S.**, Metz-Tessy (FR)

(72) Inventors: **Christophe Laperriere**, Annecy (FR);  
**Quentin Verhaeghe**, Annecy (FR)

(73) Assignee: **Salomon S.A.S.**, Annecy (FR)

(\*\*) Term: **14 Years**

(21) Appl. No.: **29/453,487**

(22) Filed: **Apr. 30, 2013**

(30) **Foreign Application Priority Data**

Oct. 29, 2012 (EM) ..... DM/079 480

(51) **LOC (10) Cl.** ..... **16-06**

(52) **U.S. Cl.**  
USPC ..... **D16/326**; D16/335

(58) **Field of Classification Search**  
CPC ..... G02C 2200/08; G02C 1/06  
USPC ..... D16/101, 300-342, 900; D29/109-110;  
351/41, 44-46, 51-52, 62, 158, 92,  
351/103-123, 140-153, 63, 59; 2/13, 15,  
2/426-432, 447-449, 441, 434-437;  
D21/483, 659-661

See application file for complete search history.

(56) **References Cited**

U.S. PATENT DOCUMENTS

D428,039 S \* 7/2000 Thixton ..... D16/312  
D653,695 S \* 2/2012 Tobia ..... D16/312  
D695,818 S \* 12/2013 Laperriere et al. .... D16/312  
D718,369 S \* 11/2014 Janavicius et al. .... D16/312

\* cited by examiner

*Primary Examiner* — Raphael Barkai

(74) *Attorney, Agent, or Firm* — Terence P. O'Brien

(57) **CLAIM**

We claim the ornamental design for sports eyewear, as shown and described.

**DESCRIPTION**

FIG. 1 is a front, side perspective view of sports eyewear; FIG. 2 is a front view of the sports eyewear of FIG. 1; FIG. 3 is a side view of the sports eyewear of FIG. 1; FIG. 4 is a bottom view of the sports eyewear of FIG. 1; and, FIG. 5 is a top view of the sports eyewear of FIG. 1.

The ornamental design that is claimed is shown in solid lines in the drawings. The broken (dashed) lines shown in the figures are included for the purpose of illustrating environmental elements only and form no part of the claimed design.

**1 Claim, 3 Drawing Sheets**

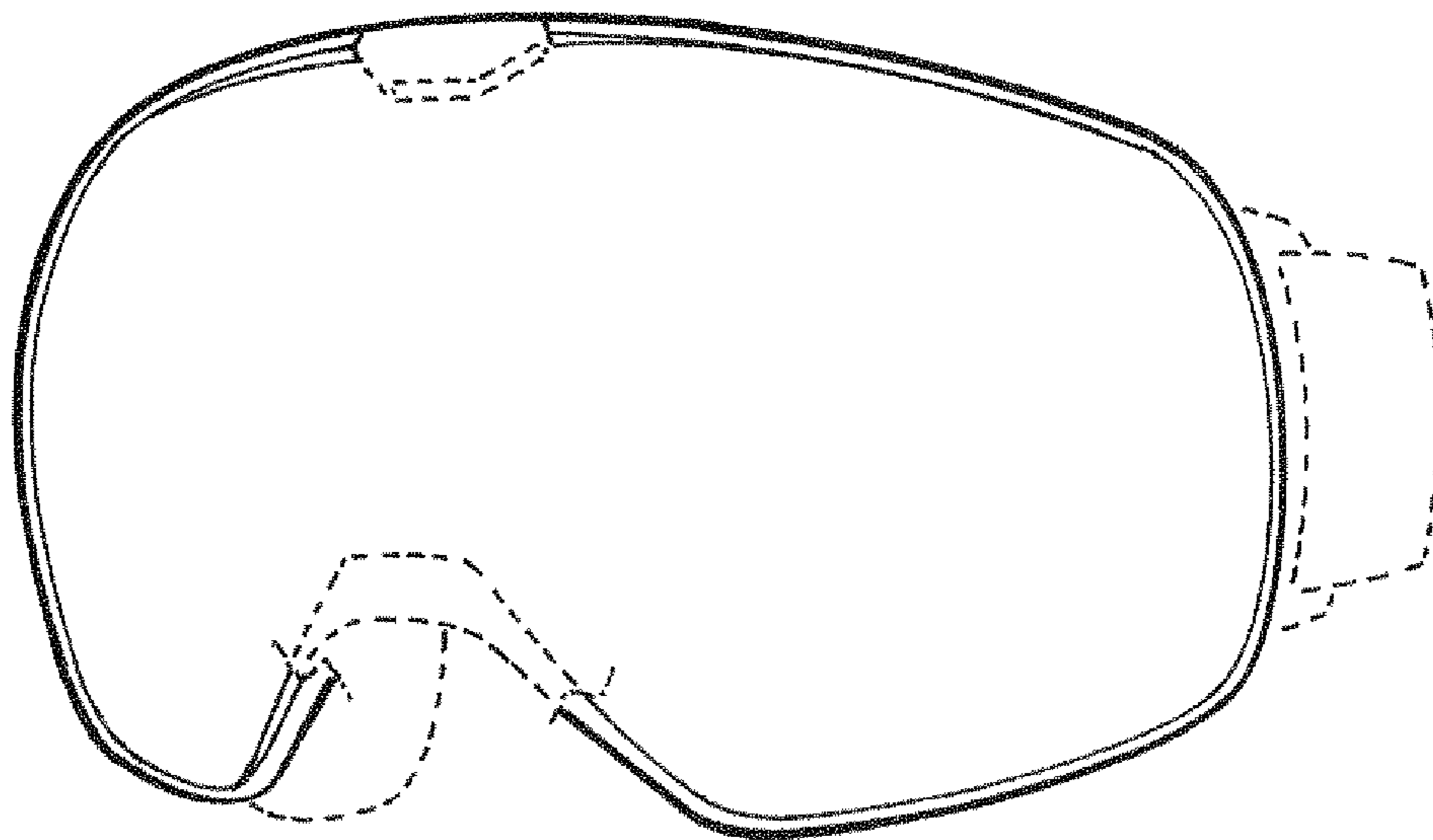


FIG. 1

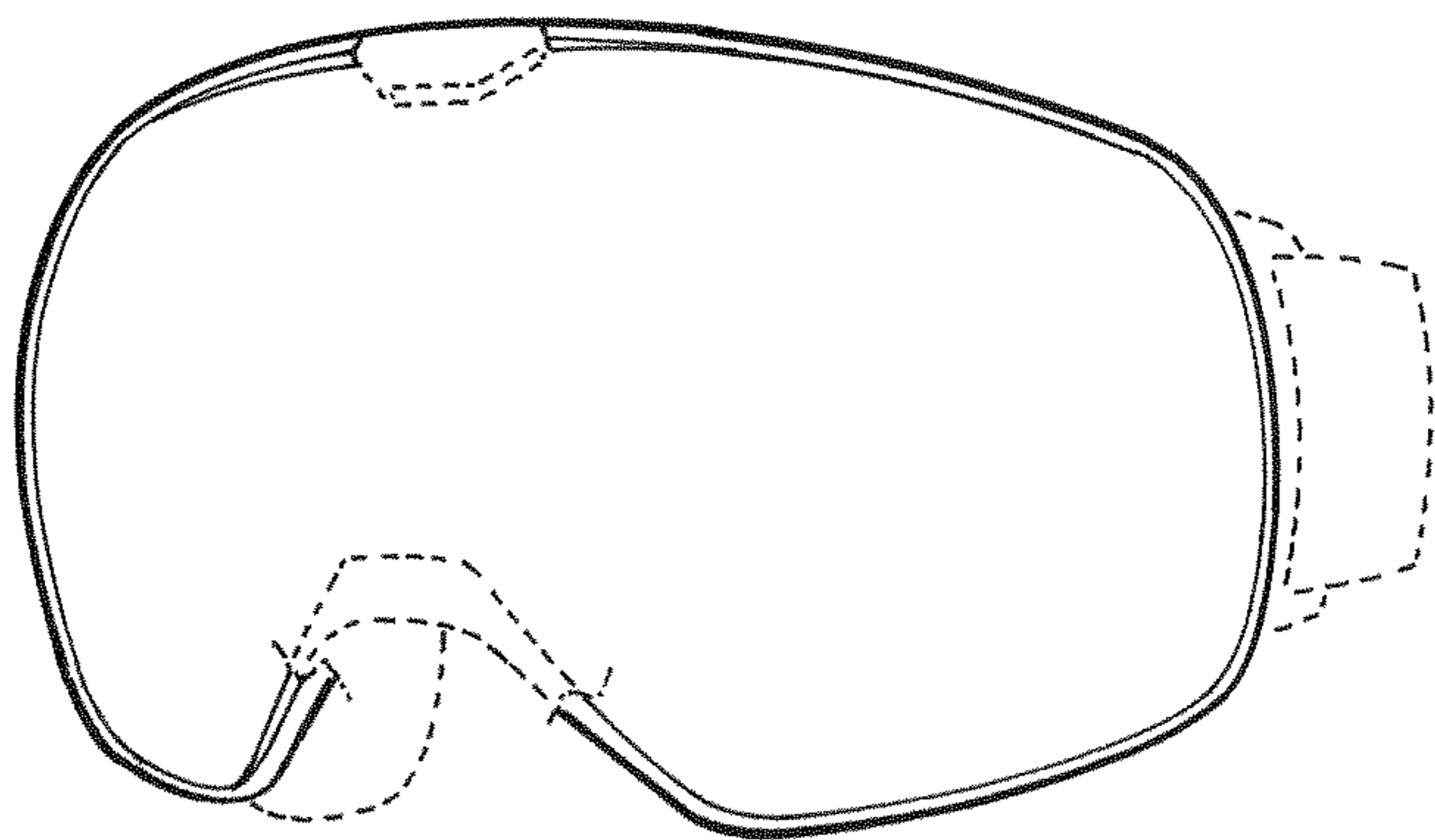


FIG. 2

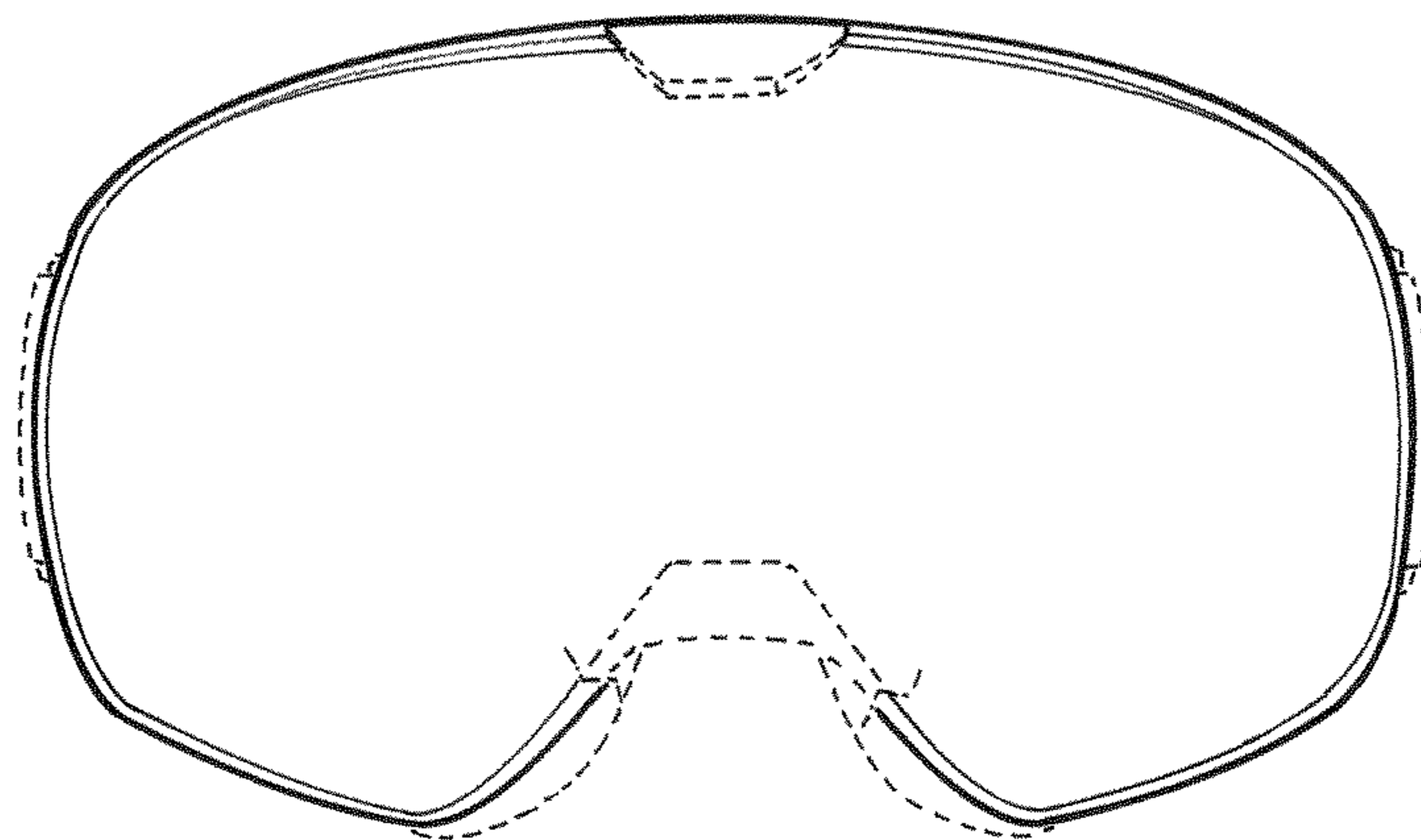


FIG. 3

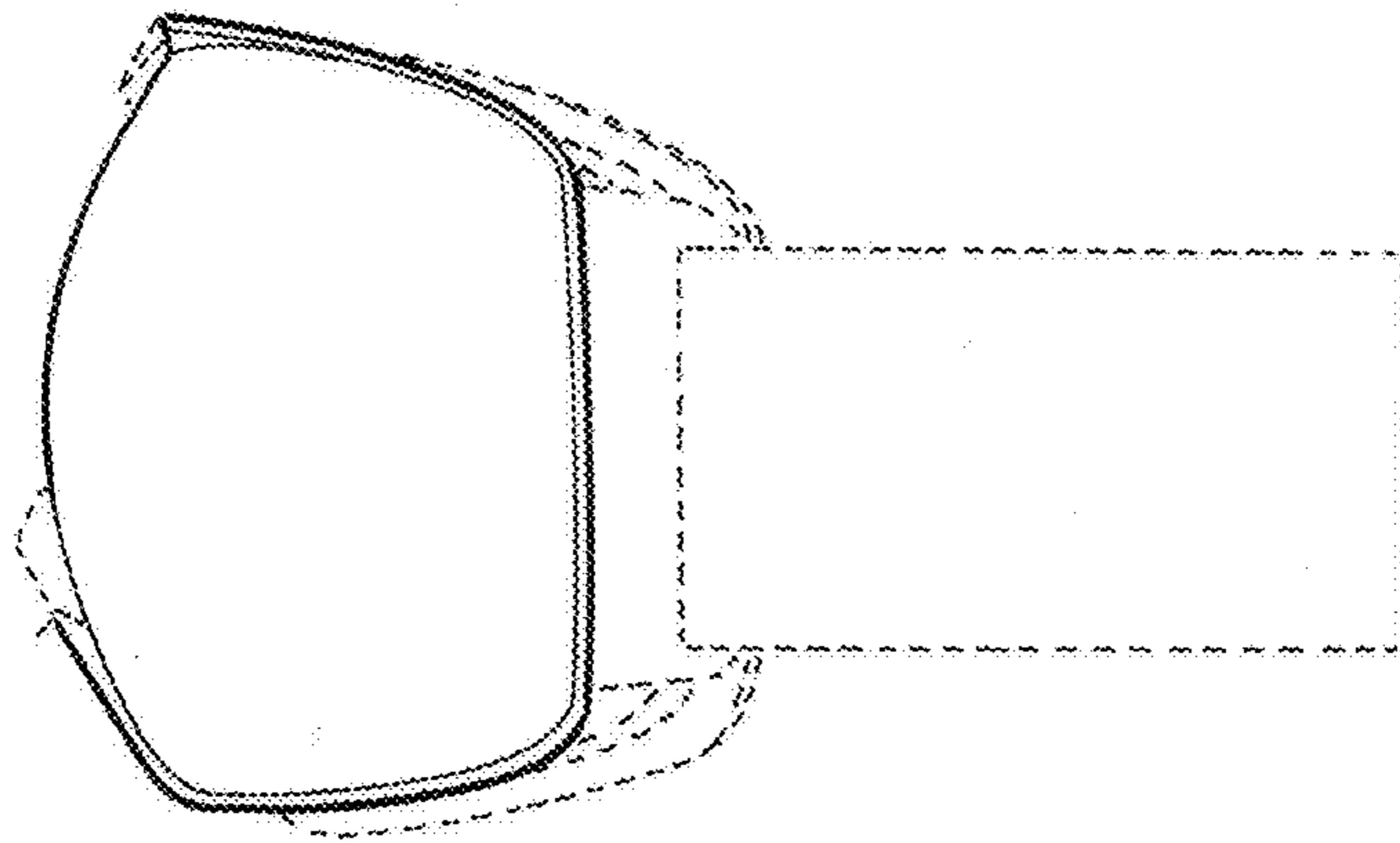


FIG. 4

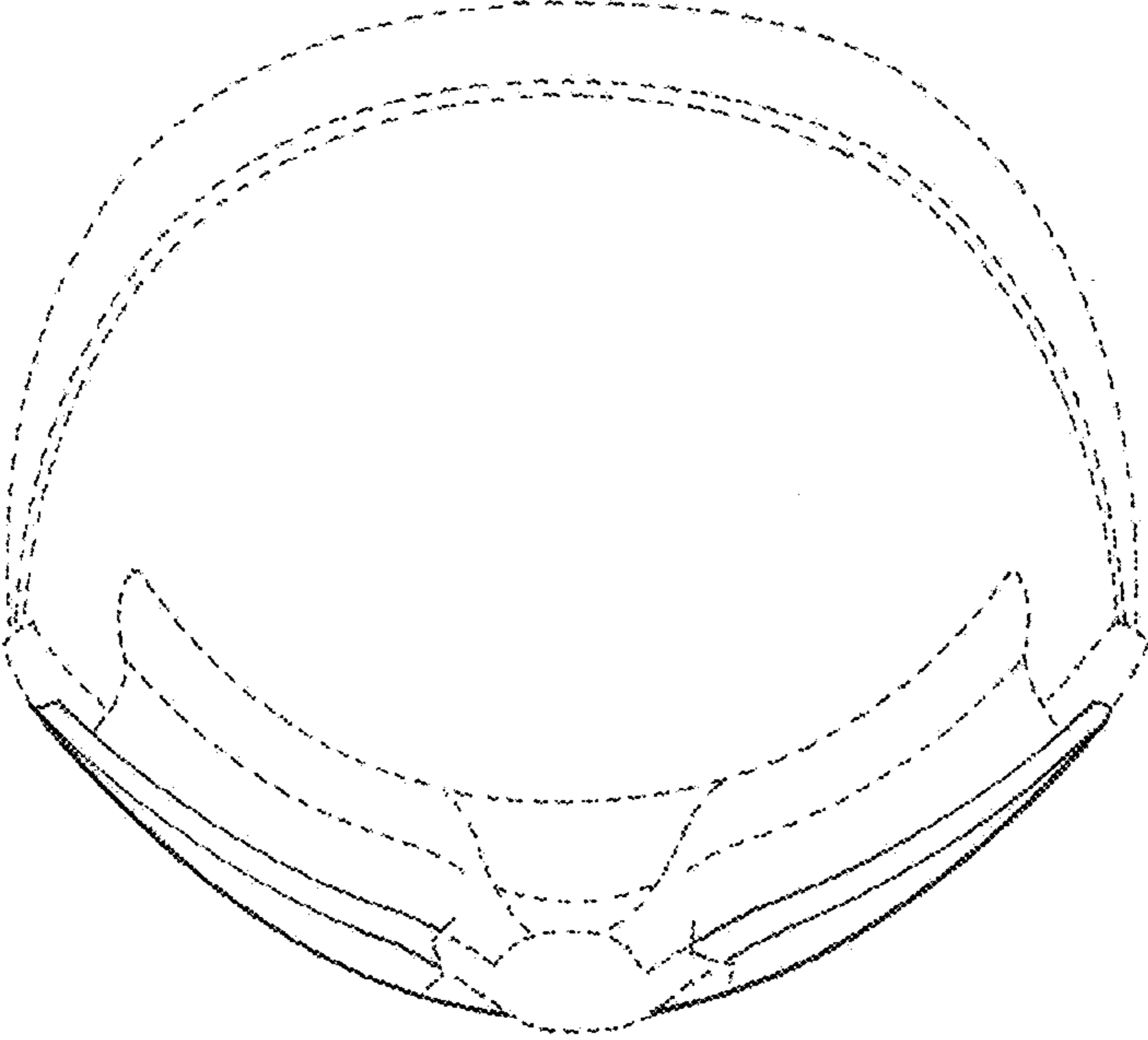


FIG. 5

