



US00D729302S

(12) **United States Design Patent**
Reese

(10) **Patent No.:** **US D729,302 S**

(45) **Date of Patent:** **** May 12, 2015**

(54) **TRAIL CAMERA TREE MOUNT**

(71) Applicant: **Herman Thomas Reese**, Thurman, OH
(US)

(72) Inventor: **Herman Thomas Reese**, Thurman, OH
(US)

(**) Term: **14 Years**

(21) Appl. No.: **29/485,436**

(22) Filed: **Mar. 19, 2014**

(51) **LOC (10) Cl.** **16-05**

(52) **U.S. Cl.**
USPC **D16/242**

(58) **Field of Classification Search**
CPC G03B 17/14; G03B 17/26; G03B 17/30;
G03B 17/56; G03B 17/561-17/568; G03B
21/54; F16M 11/00; F16M 11/14; F16M
11/26; F16M 11/28; F16M 13/04; H04N
5/2254
USPC D16/219, 235, 237-245, 250; D14/217,
D14/511; D8/380, 387, 394, 395; D22/108
See application file for complete search history.

(56) **References Cited**

U.S. PATENT DOCUMENTS

1,582,381 A * 4/1926 Citero 248/217.4
D140,011 S * 1/1945 Creedon D16/242
2,375,214 A * 5/1945 Creedon 248/126

D144,840 S * 5/1946 Creedon D16/242
3,601,598 A * 8/1971 Horn 362/418
5,092,552 A * 3/1992 Dayton et al. 248/280.11
D348,215 S * 6/1994 Melhorn D8/380
6,478,272 B1 * 11/2002 McKinsey et al. 248/216.1
6,623,182 B2 * 9/2003 Tatera 396/428
7,832,696 B2 * 11/2010 Goodman 248/181.1
D652,287 S * 1/2012 Woller D8/387
8,231,095 B2 * 7/2012 Bean 248/323

* cited by examiner

Primary Examiner — Susan Bennett Hattan

Assistant Examiner — Vy Koenig

(74) *Attorney, Agent, or Firm* — Miracle IP; Bryce D. Miracle

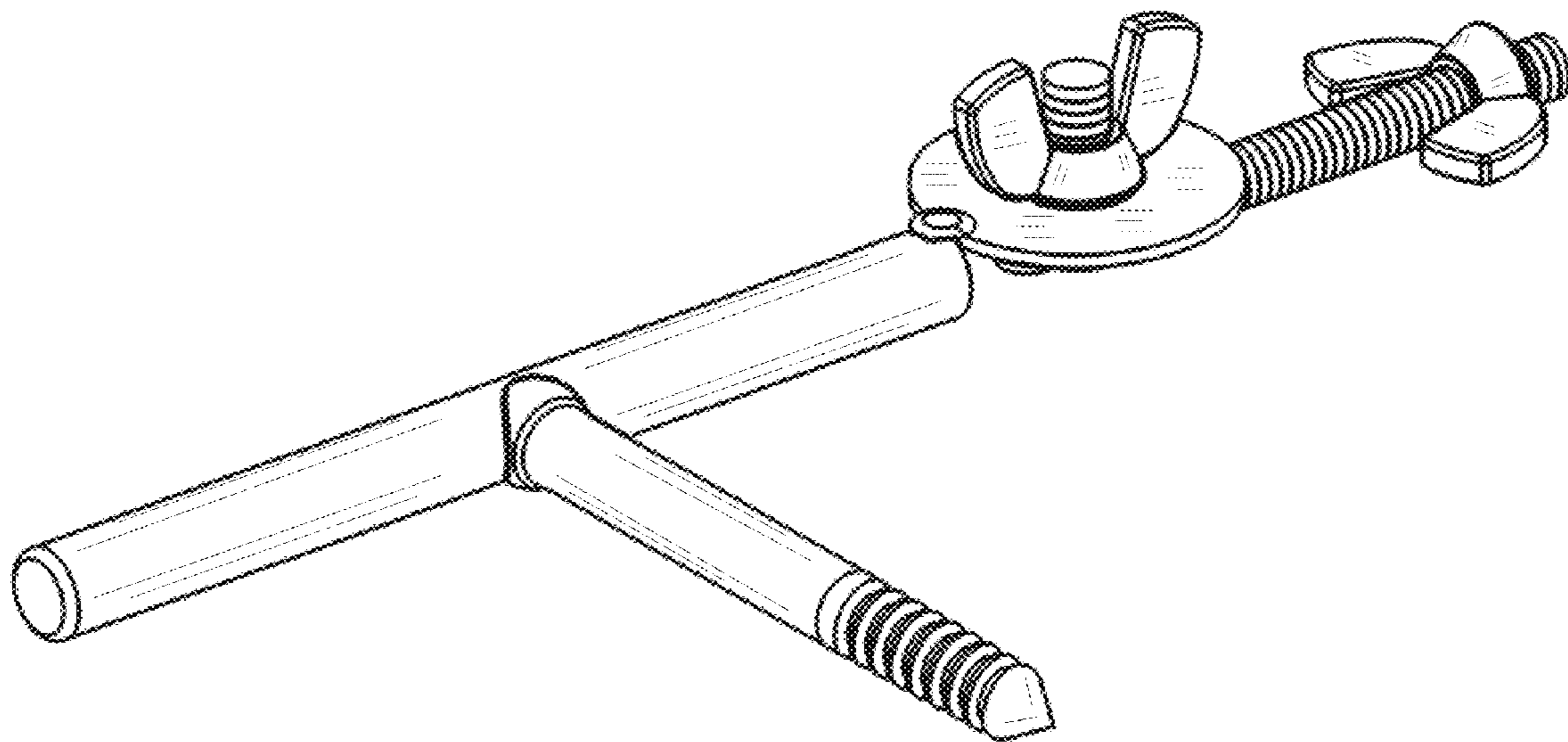
(57) **CLAIM**

The ornamental design for a trail camera tree mount, substantially as shown and described.

DESCRIPTION

FIG. 1 is a top plan view of the trail camera tree mount showing the new design;
FIG. 2 is a bottom plan view thereof;
FIG. 3 is a rear elevation view thereof;
FIG. 4 is a front elevation view thereof;
FIG. 5 is a top, front perspective view thereof;
FIG. 6 is a bottom, rear perspective view thereof; and,
FIG. 7 is an exemplary perspective view thereof.
The broken lines shown in the drawings depict environmental subject matter and form no part of the claimed design.

1 Claim, 7 Drawing Sheets



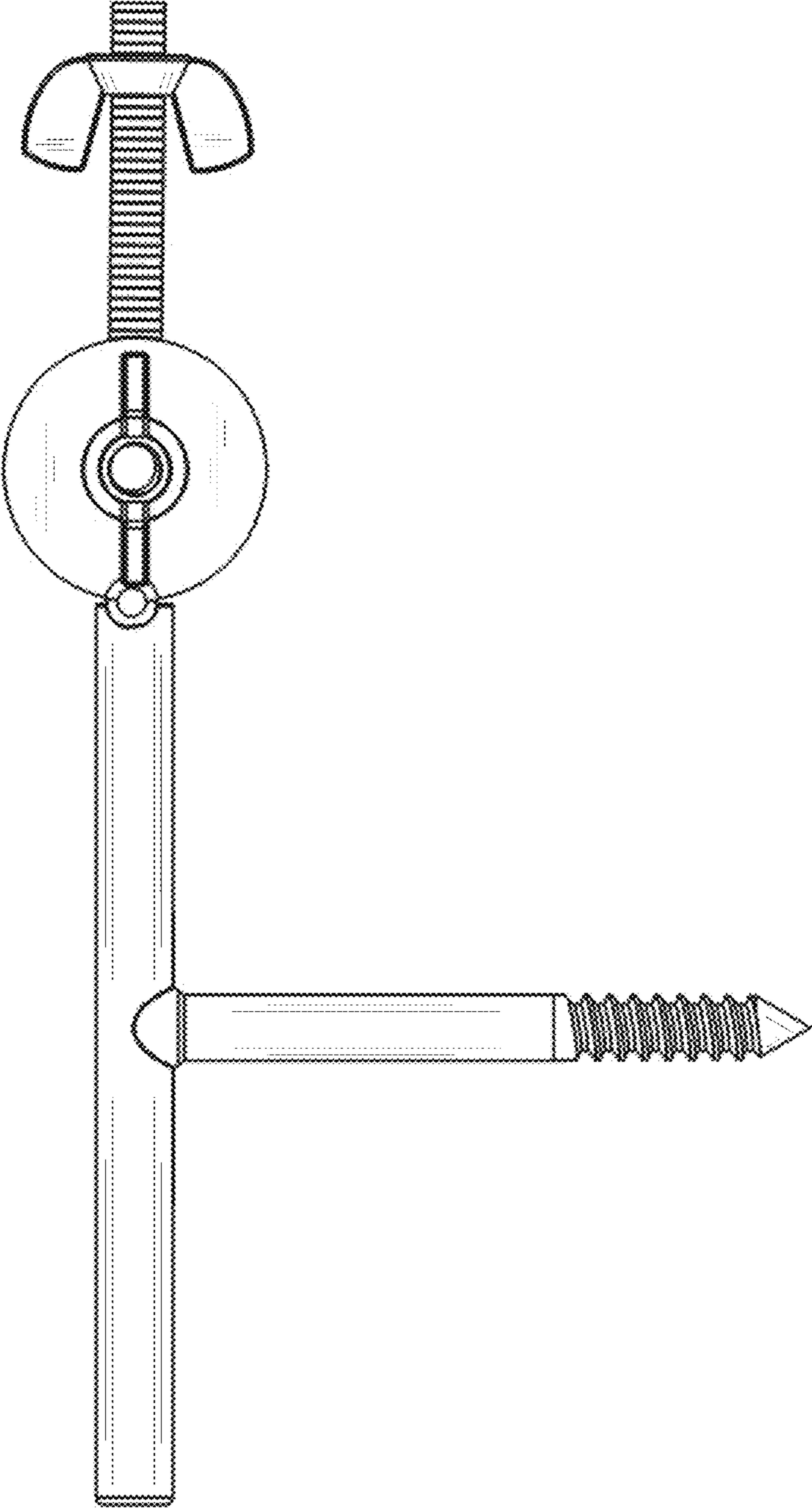


FIG 1.

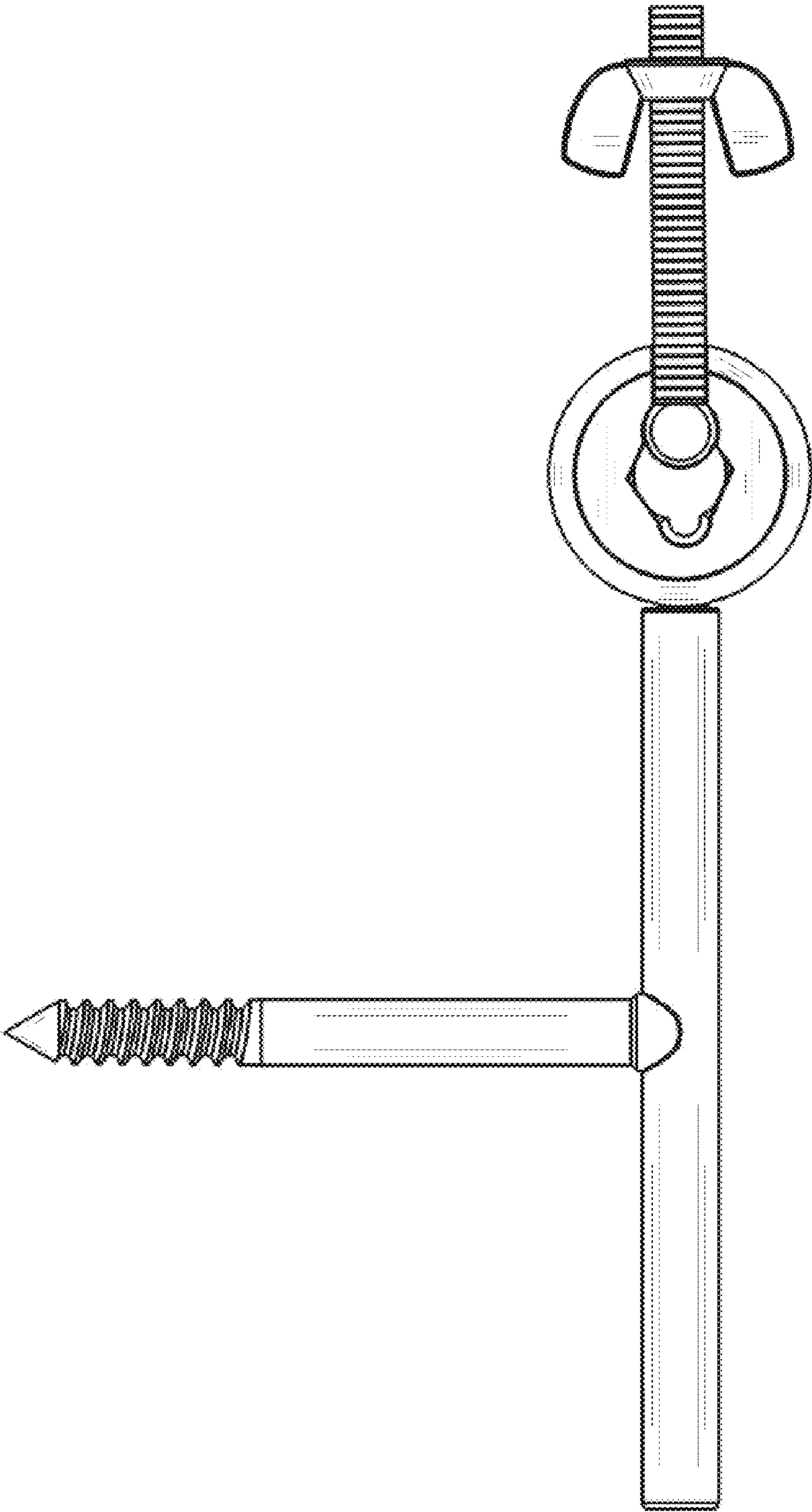


FIG 2.

FIG 3.

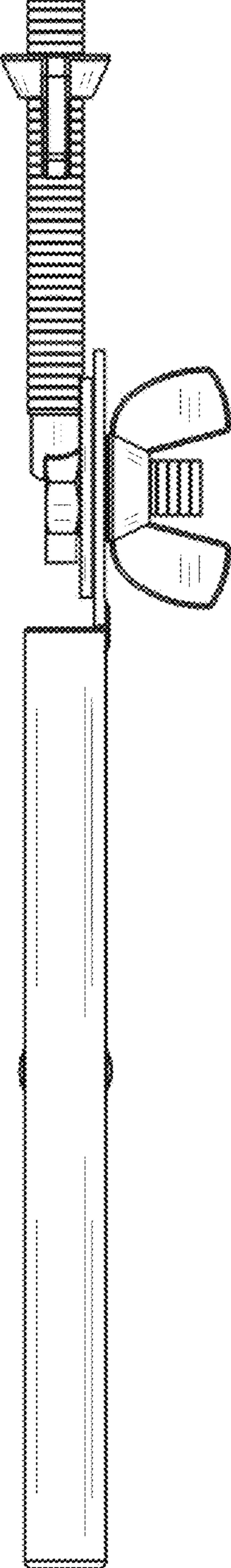
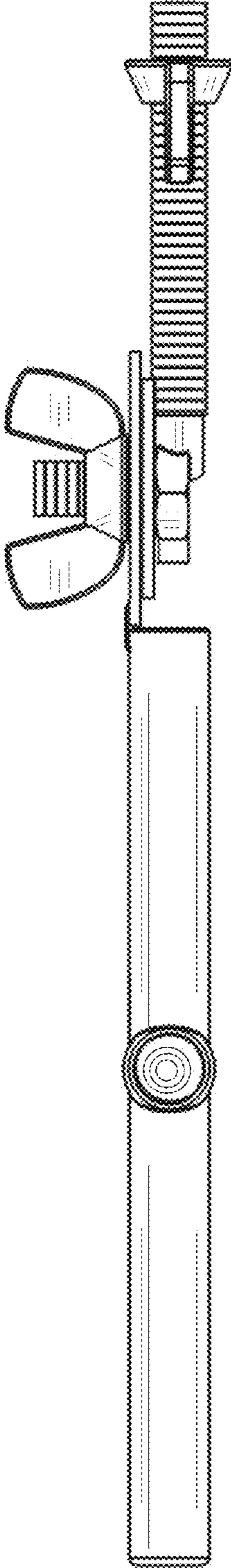


FIG 4.



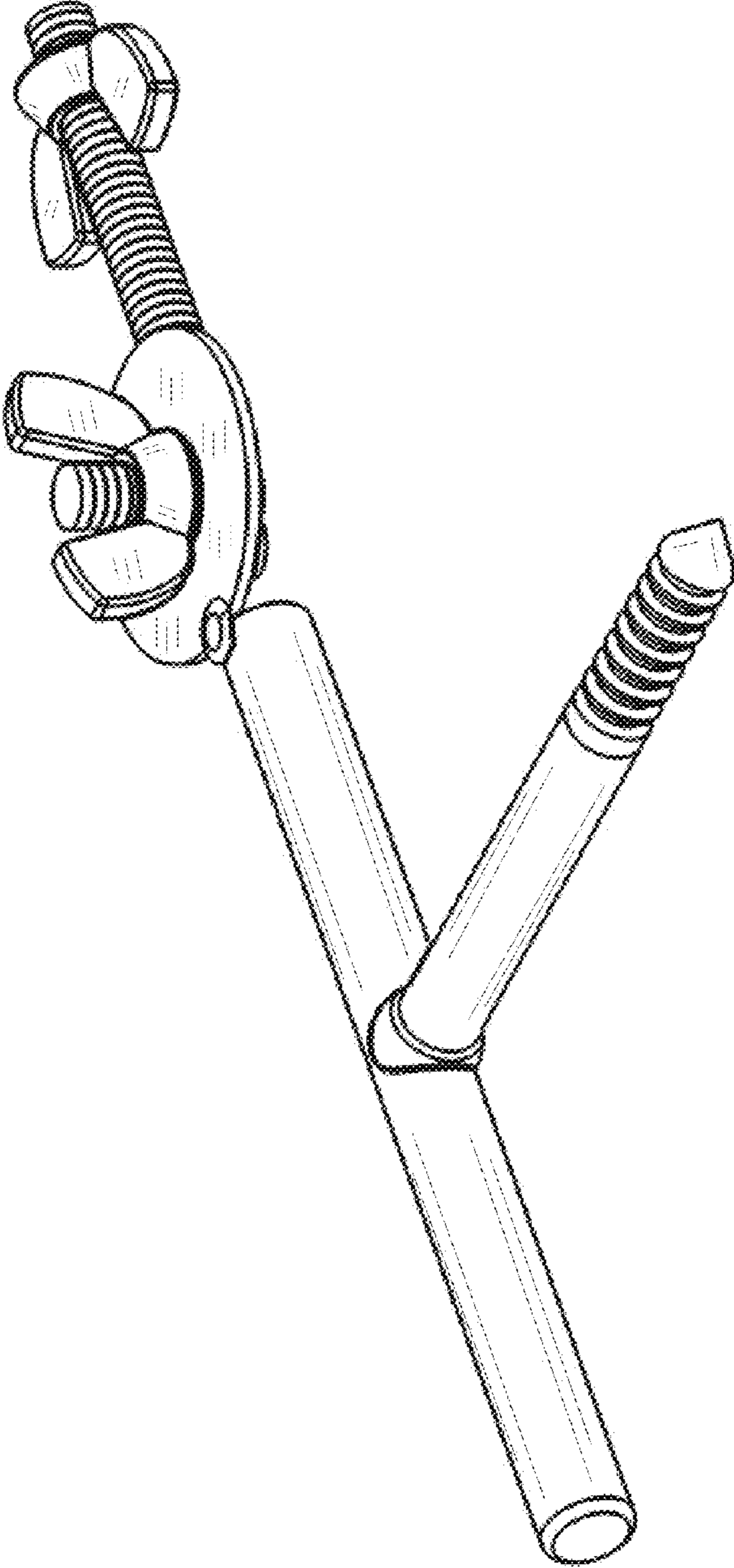
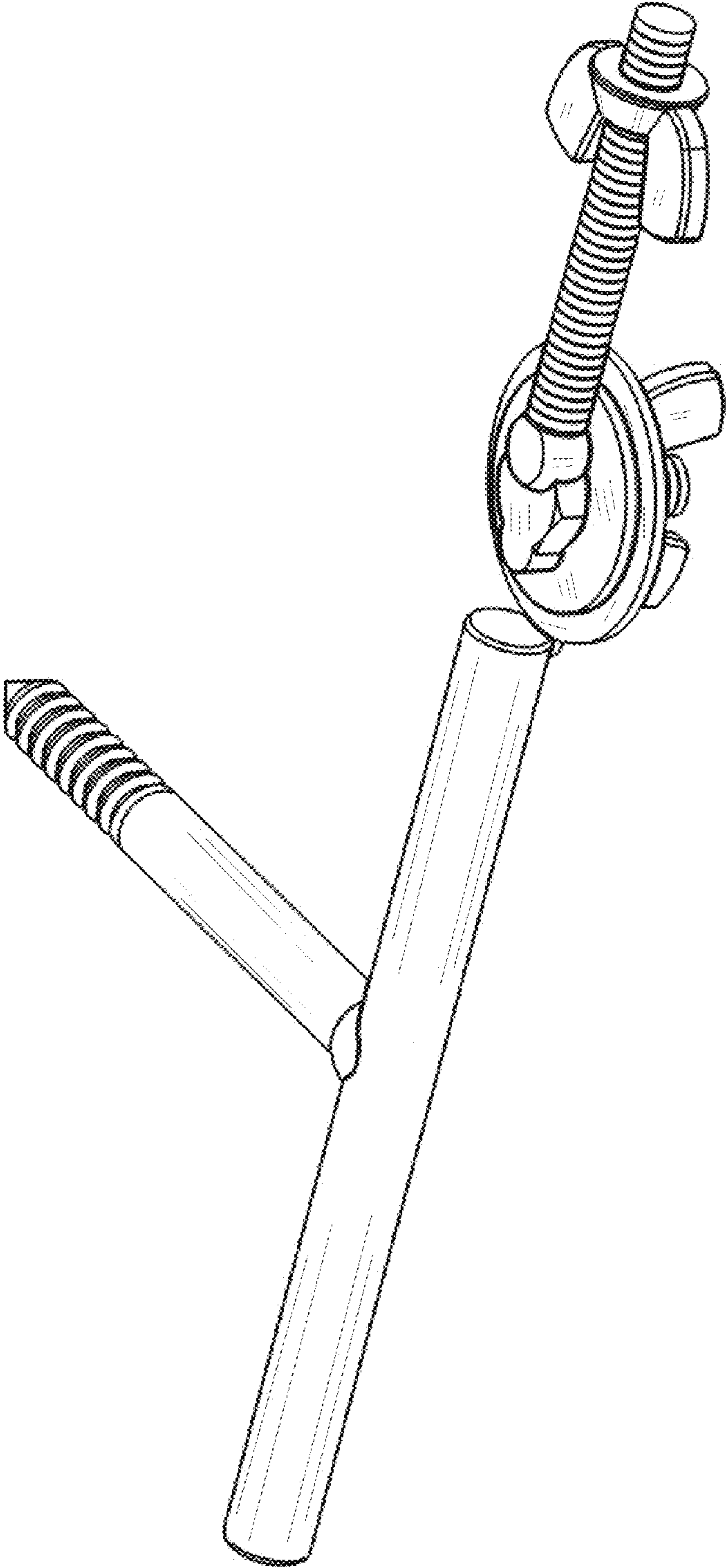


FIG 5.

FIG 6.



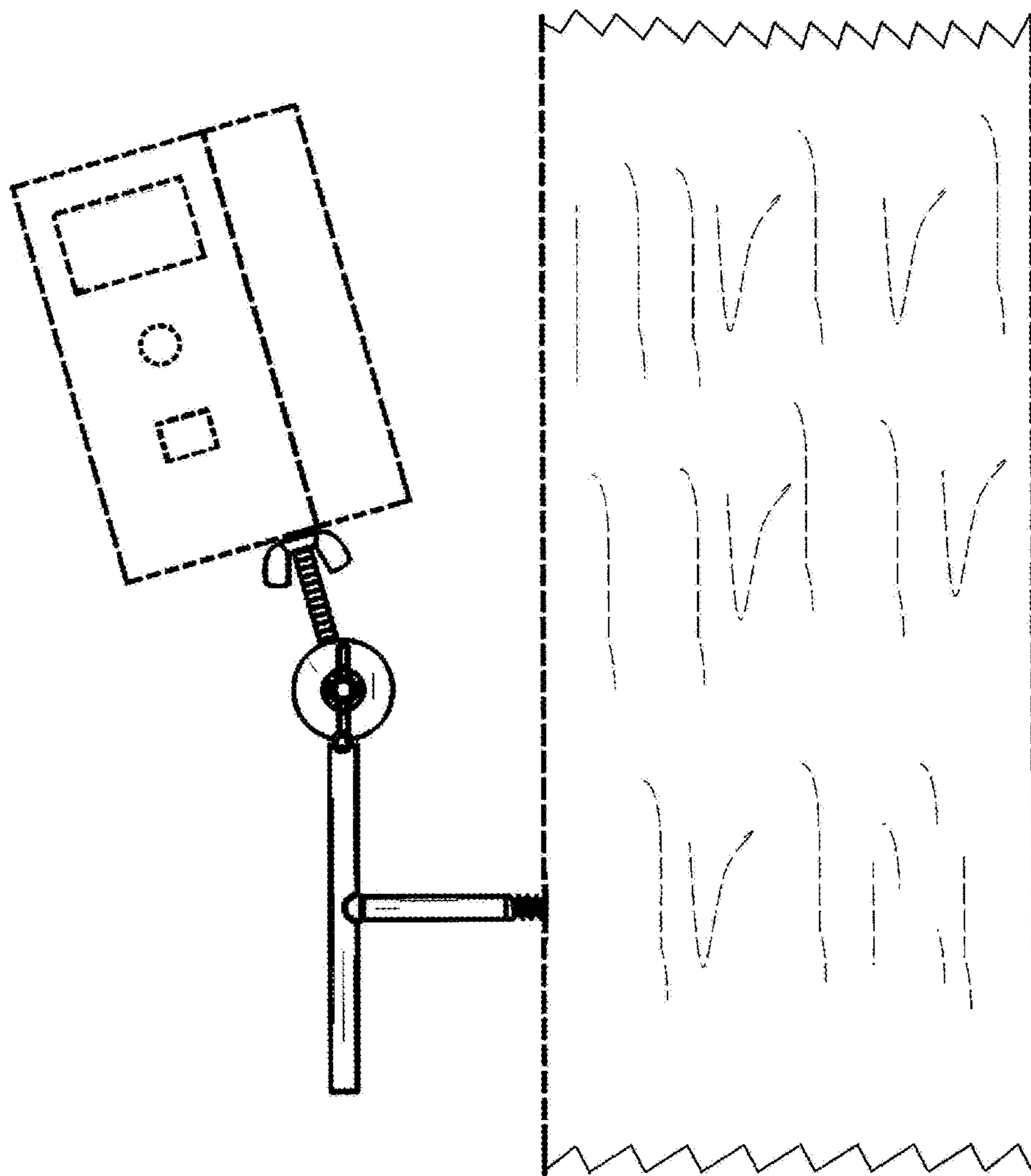


FIG 7.