



US00D729301S

**(12) United States Design Patent**  
**Nakamura****(10) Patent No.: US D729,301 S****(45) Date of Patent: \*\* May 12, 2015****(54) VIDEO CAMERA****(71) Applicant: Sony Corporation, Tokyo (JP)**  
**(72) Inventor: Takatoshi Nakamura, Chiba (JP)**  
**(73) Assignee: Sony Corporation, Tokyo (JP)****(\*\*) Term: 14 Years****(21) Appl. No.: 29/478,217****(22) Filed: Jan. 2, 2014****(30) Foreign Application Priority Data**

Jul. 10, 2013 (CN) ..... 2013 3 0319091

**(51) LOC (10) Cl. .... 16-05****(52) U.S. Cl.**  
USPC ..... **D16/219****(58) Field of Classification Search**CPC ..... G03B 15/03; G03B 17/02; G03B 17/04;  
G03B 17/56; G03B 19/04; H04N 5/2251;  
H04N 5/2252; H04N 5/2253; H04N 5/2254;  
H04N 2101/00USPC ..... D16/200, 202–206, 208, 218, 219, 242;  
D14/167, 216, 225, 227; 348/373–376;  
396/535, 539–541

See application file for complete search history.

**(56) References Cited**

## U.S. PATENT DOCUMENTS

D410,663 S \* 6/1999 Ogasawara ..... D16/202  
6,445,417 B1 \* 9/2002 Yoshida et al. .... 348/374  
D506,767 S \* 6/2005 Imai ..... D16/202  
D533,206 S \* 12/2006 Kim ..... D16/202  
D542,262 S \* 5/2007 Oka ..... D14/167  
D567,798 S \* 4/2008 Oka ..... D14/167  
D571,778 S \* 6/2008 Aoki ..... D14/167  
D578,994 S 10/2008 Oka  
D581,898 S 12/2008 Oka  
D604,720 S \* 11/2009 Liu ..... D14/216  
D611,925 S \* 3/2010 Miyazaki ..... D14/167D623,172 S \* 9/2010 Kondo et al. .... D14/227  
D649,524 S 11/2011 Miyazaki  
D663,345 S \* 7/2012 Tanifuji ..... D16/219  
D669,880 S 10/2012 Okura  
D683,714 S \* 6/2013 Ito et al. .... D14/167  
D708,600 S \* 7/2014 Trewartha et al. .... D14/225

## FOREIGN PATENT DOCUMENTS

JP D1467188 S 4/2013

## OTHER PUBLICATIONS

Web site, "Q3 HD Handy Video Recorder—Brilliant stereo recording... Now with HD video.", <http://www.zoom.co.jp/products/q3hd/?lang=en>, 5 sheets, Zoom Corporation.

\* cited by examiner

*Primary Examiner* — Adir Aronovich*Assistant Examiner* — Ramzi Almatrahi**(74) Attorney, Agent, or Firm** — Rader, Fishman & Grauer PLLC**(57) CLAIM**

The ornamental design for a video camera, as shown and described.

**DESCRIPTION**

FIG. 1 is a perspective view of a video camera showing my new design;

FIG. 2 is a front elevational view thereof;

FIG. 3 is a left side elevational view thereof; and,

FIG. 4 is a right side elevational view thereof.

The broken lines depict portions of a video camera in which the design is embodied and form no part of the claimed design.

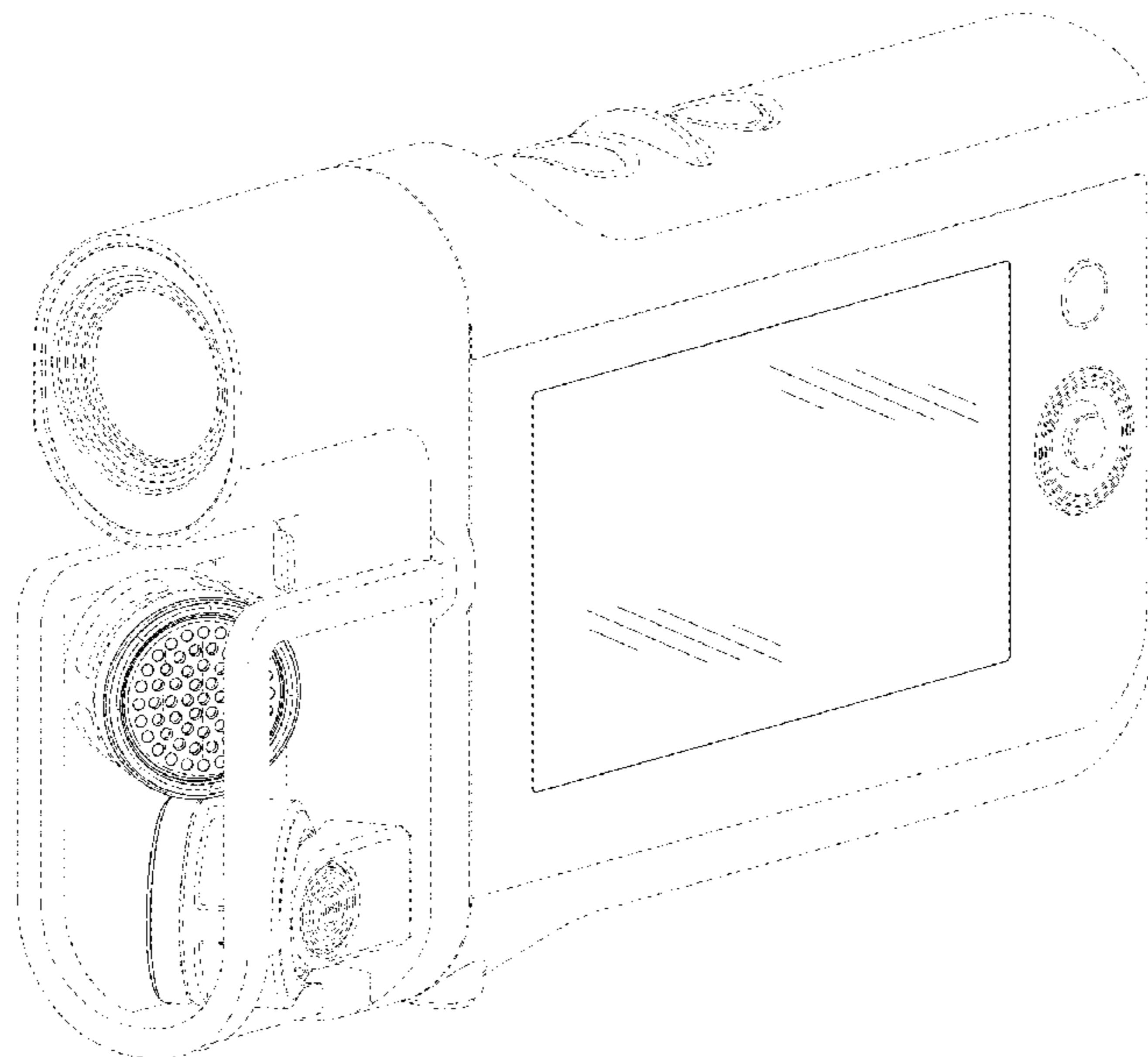
**1 Claim, 4 Drawing Sheets**

FIG.1

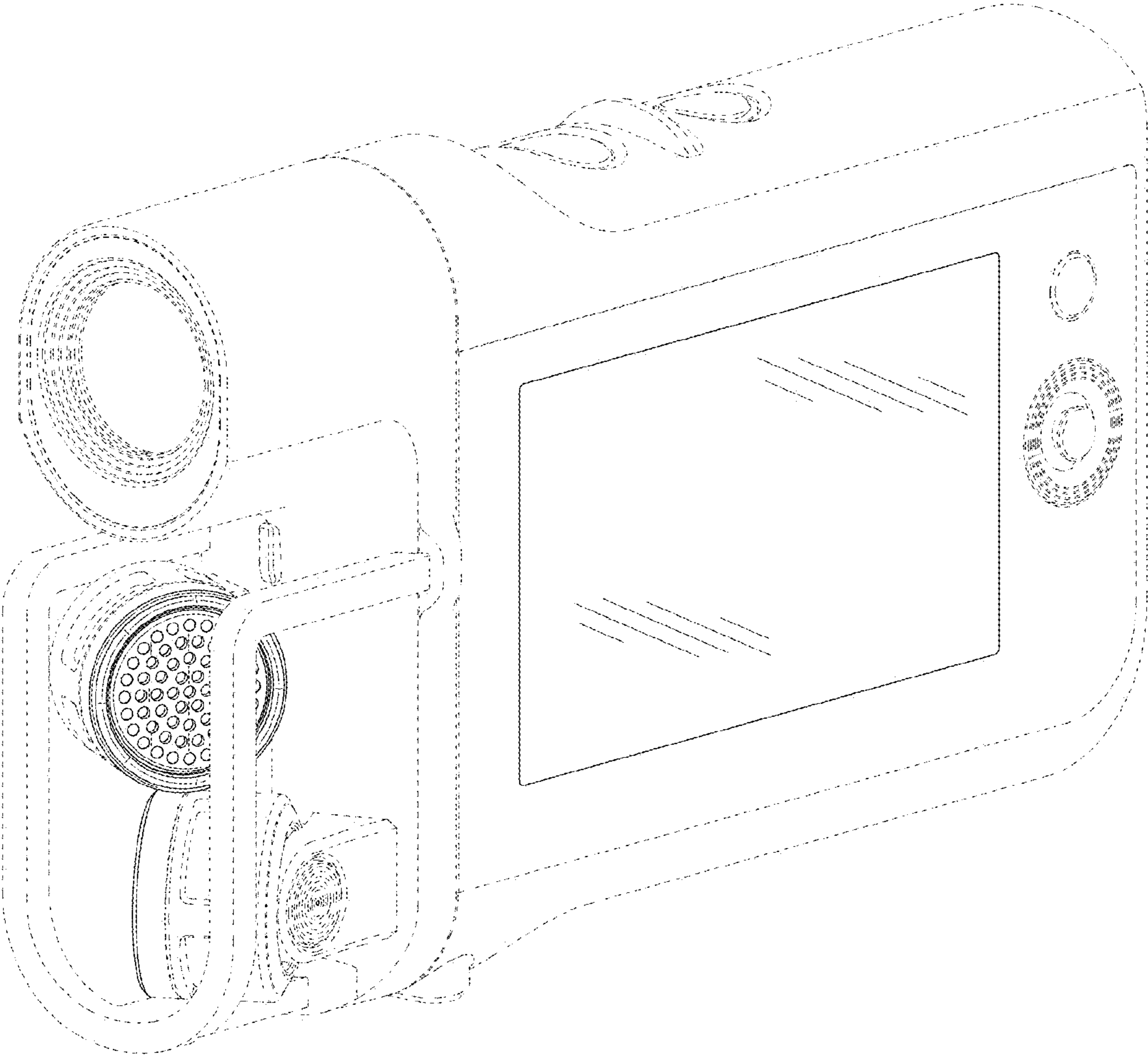


FIG.2

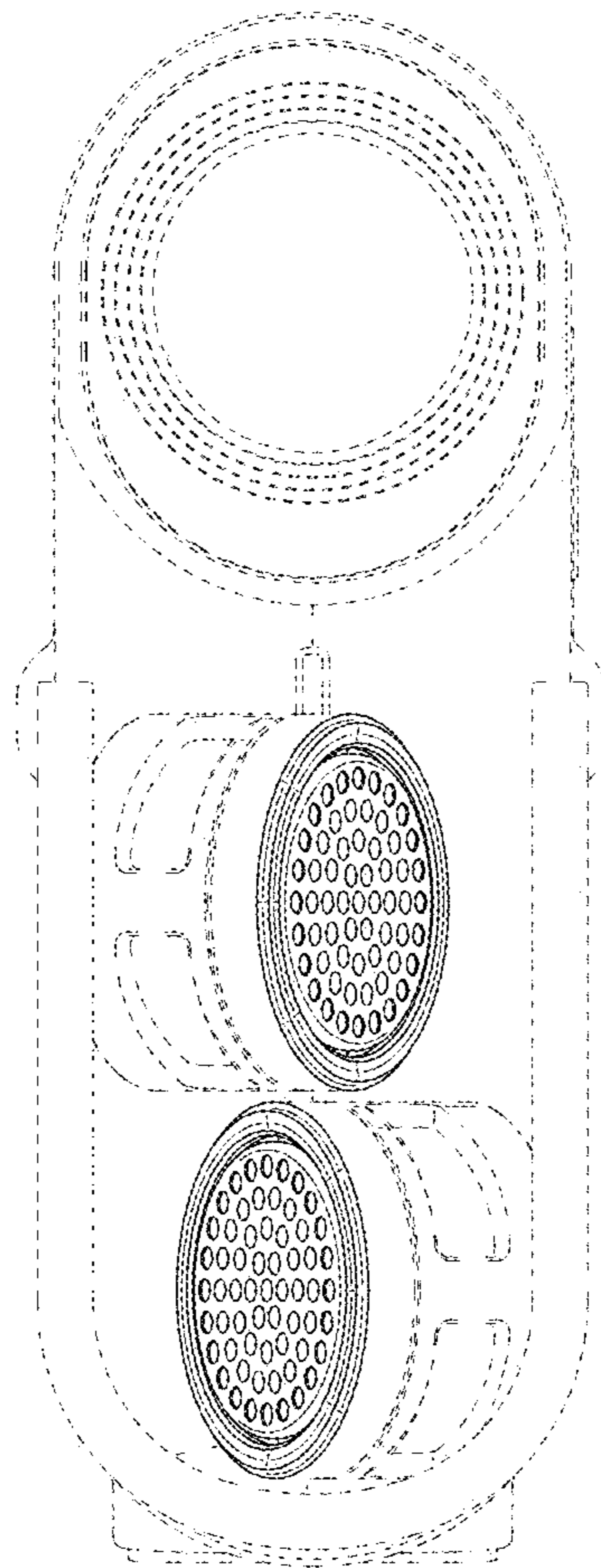


FIG.3

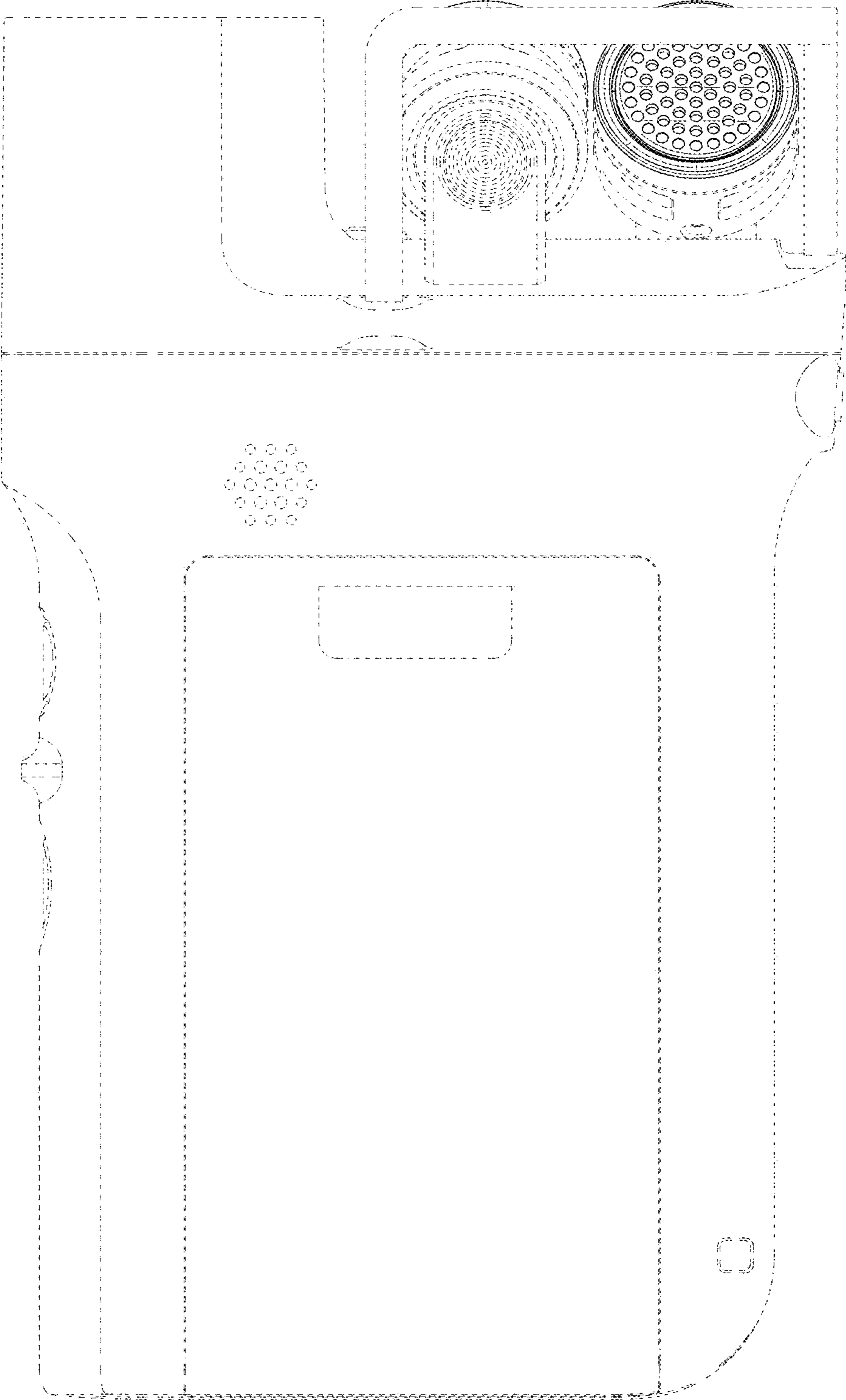


FIG.4

