



US00D729299S

(12) **United States Design Patent**
Adams

(10) **Patent No.:** **US D729,299 S**
(45) **Date of Patent:** **** May 12, 2015**

(54) **MOBILE DEVICE CAMERA ENCLOSURE WITH KEYBOARD**

(71) Applicant: **I.Am.Symbolic, LLC**, Beverly Hills, CA (US)
(72) Inventor: **William Adams**, Los Angeles, CA (US)
(73) Assignee: **I.Am.Symbolic, LLC**, Beverly Hills, CA (US)

(**) Term: **14 Years**

(21) Appl. No.: **29/439,013**

(22) Filed: **Dec. 5, 2012**

Related U.S. Application Data

(63) Continuation-in-part of application No. 29/436,887, filed on Nov. 9, 2012.

(51) **LOC (10) Cl.** **16-01**

(52) **U.S. Cl.**
USPC **D16/208**

(58) **Field of Classification Search**

CPC G03B 15/03; G03B 17/02; G03B 17/04;
G03B 17/56; G03B 19/04; H04N 5/2251;
H04N 5/2252; H04N 5/2253; H04N 5/2254;
H04N 2101/00

USPC D16/200, 202–206, 208, 218, 219, 242,
D16/237; 348/373–376; 396/535, 539–541

See application file for complete search history.

(56) **References Cited**

U.S. PATENT DOCUMENTS

4,420,240 A 12/1983 Katsuma et al.

(Continued)

FOREIGN PATENT DOCUMENTS

JP 2005278076 10/2005

OTHER PUBLICATIONS

Will.I.Am unveils Foto. Soshio by Trevor Mogg dated Nov. 29, 2012, found online [Dec. 18, 2013] <http://www.digitaltrends.com/mobile/will-i-am-unveil-foto-soshio-iphone-camera-attachment-to-make-a-genius-phone/>.

(Continued)

Primary Examiner — Adir Aronovich

Assistant Examiner — Ramzi Almatrahi

(74) *Attorney, Agent, or Firm* — Workman Nydegger

(57) **CLAIM**

The ornamental design for a mobile device camera enclosure with keyboard, as shown and described.

DESCRIPTION

FIG. 1 illustrates a front perspective view of a mobile device camera enclosure with keyboard, shown broken away in the middle to indicate indeterminate length, in accordance with the present invention.

FIG. 2 illustrates a front elevational view of the mobile device camera enclosure with keyboard, as shown in FIG. 1, shown broken away in the middle to indicate indeterminate length.

FIG. 3 illustrates a back elevational view of the mobile device camera enclosure with keyboard, as shown in FIG. 1, shown broken away in the middle to indicate indeterminate length.

FIG. 4 illustrates a right side elevational view of the mobile device camera enclosure with keyboard, as shown in FIG. 1.

FIG. 5 illustrates a left side elevational view of the mobile device camera enclosure with keyboard, as shown in FIG. 1.

FIG. 6 illustrates a top plan view of the mobile device camera enclosure with keyboard, as shown in FIG. 1, shown broken away in the middle to indicate indeterminate length.

FIG. 7 illustrates a bottom plan view of the mobile device camera enclosure with keyboard, as shown in FIG. 1, shown broken away in the middle to indicate indeterminate length.

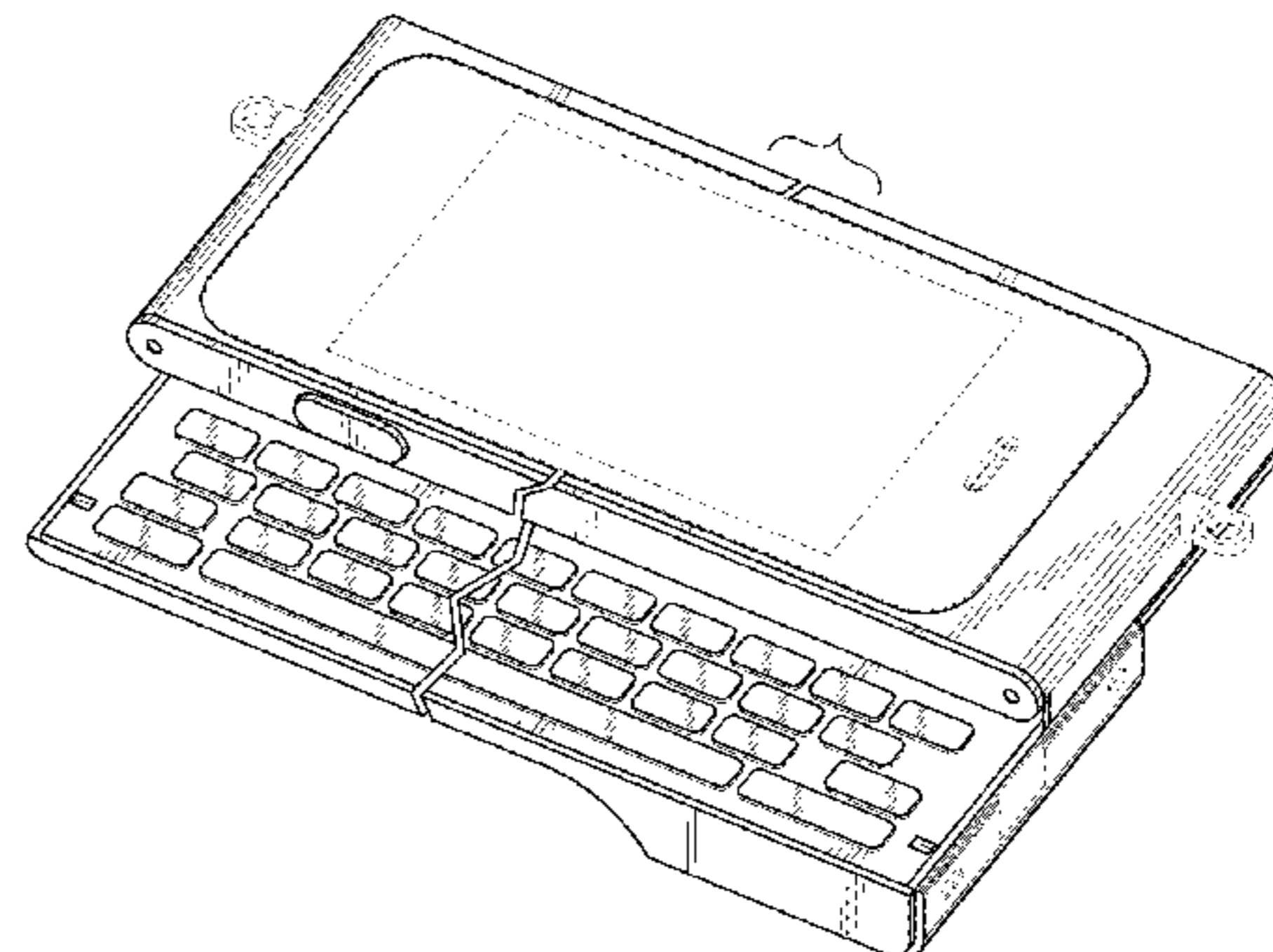
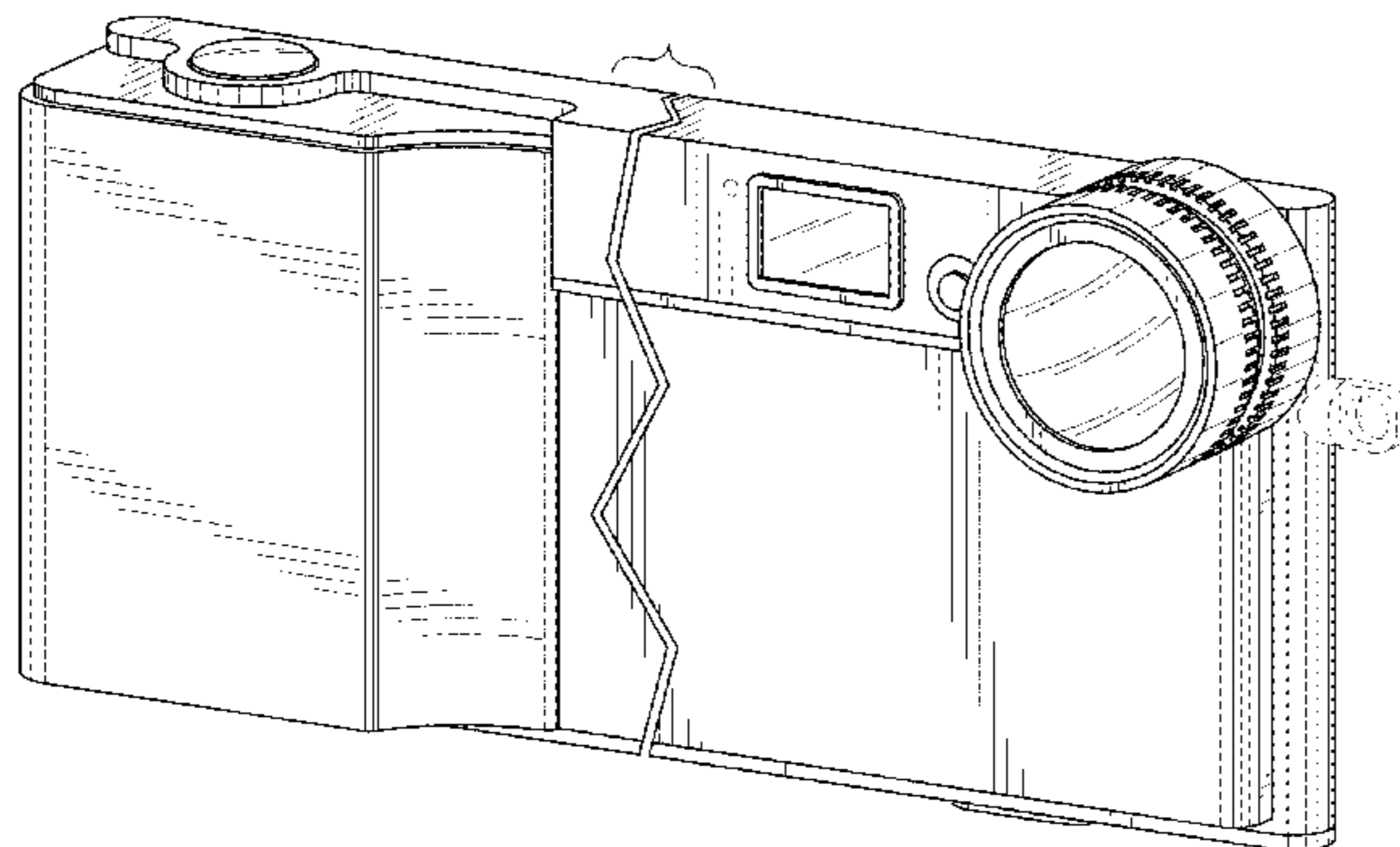
FIG. 8 illustrates a reduced back perspective view of the mobile device camera enclosure with keyboard, as shown in FIG. 1, shown broken away in the middle to indicate indeterminate length, a mobile device is shown to illustrate environment only and forms no part of the claimed design.

FIG. 9 illustrates a reduced back perspective view of the mobile device camera enclosure with keyboard, as shown in FIG. 1, shown in an opened configuration, and shown broken away in the middle to indicate indeterminate length; and,

FIG. 10 illustrates a reduced front perspective view of the mobile device camera enclosure with keyboard, as shown in FIG. 1, shown in an opened configuration, and shown broken away in the middle to indicate indeterminate length.

The broken lines in the drawing are included for the purpose of illustrating environmental subject matter and form no part of the claimed design. Any portion of the article between the break lines forms no part of the claimed design.

1 Claim, 8 Drawing Sheets



(56)

References Cited

U.S. PATENT DOCUMENTS

5,652,921 A 7/1997 Kawano
 5,671,459 A * 9/1997 Balling et al. 396/535
 D432,153 S 10/2000 Cooper
 D441,386 S 5/2001 Yamazaki
 6,249,311 B1 6/2001 Rouse, Jr. et al.
 D444,489 S * 7/2001 Suto et al. D16/218
 D453,177 S 1/2002 Uehara
 D487,453 S * 3/2004 Ribeiro et al. D14/240
 6,705,774 B2 3/2004 Tashiro et al.
 6,783,286 B2 8/2004 Maeda et al.
 D504,904 S 5/2005 Nagai et al.
 7,060,921 B2 6/2006 Kubo
 D540,362 S 4/2007 Yamagishi
 D540,364 S 4/2007 Ishii
 D540,841 S 4/2007 Yamagishi
 D542,785 S 5/2007 Chung et al.
 7,420,615 B2 * 9/2008 Tsai et al. 348/373
 7,632,023 B2 12/2009 Misawa
 7,653,291 B2 1/2010 Yeom
 D611,081 S 3/2010 Kobayashi et al.
 D616,479 S 5/2010 Ganahl
 D616,480 S 5/2010 Ookawa et al.
 7,751,697 B2 7/2010 Gourova
 D626,746 S 11/2010 Roman
 D638,005 S 5/2011 Richardson
 D647,933 S 11/2011 Raken et al.
 D647,934 S 11/2011 Raken et al.
 D647,935 S 11/2011 Raken et al.
 8,233,082 B2 7/2012 Yamamoto
 D668,282 S 10/2012 Ohno et al.
 D669,587 S 10/2012 Mayer
 8,379,144 B2 * 2/2013 Nam 348/375
 8,390,255 B1 3/2013 Fathollahi
 D684,569 S 6/2013 Willenborg
 D687,026 S 7/2013 Ruvolo
 8,483,758 B2 7/2013 Huang
 8,577,412 B1 11/2013 Bishop
 D699,947 S 2/2014 To et al.
 D700,778 S 3/2014 To et al.
 D707,669 S 6/2014 Guzman
 2004/0155978 A1 8/2004 Kyuma
 2006/0098116 A1 5/2006 Manico et al.
 2007/0077062 A1 4/2007 Senba et al.
 2007/0098385 A1 5/2007 Tanaka et al.
 2007/0268371 A1 11/2007 Misawa
 2007/0280677 A1 12/2007 Drake
 2009/0147127 A1 6/2009 Ogawa et al.
 2010/0041998 A1 2/2010 Postel

2010/0100839 A1 4/2010 Tseng
 2010/0146722 A1 6/2010 Okuno
 2010/0317398 A1 12/2010 Thorn
 2010/0328496 A1 12/2010 Pozniansky et al.
 2011/0058255 A1 3/2011 Weiss
 2011/0090626 A1 4/2011 Hoellwarth et al.
 2011/0110654 A1 5/2011 Maki
 2011/0123189 A1 5/2011 Saito
 2012/0000908 A1 1/2012 So
 2012/0114319 A1 5/2012 Kishida
 2012/0236157 A1 9/2012 Askey
 2012/0262618 A1 10/2012 Weakly
 2012/0270600 A1 10/2012 Zelson
 2012/0282977 A1 11/2012 Haleluk
 2013/0146625 A1 6/2013 Karle
 2013/0150122 A1 6/2013 Kulas
 2013/0206614 A1 8/2013 O'Neill et al.
 2013/0231157 A1 9/2013 Chung
 2013/0235261 A1 * 9/2013 Berkner et al. 348/374
 2013/0267283 A1 10/2013 Guzman
 2014/0200054 A1 7/2014 Fraden
 2014/0368731 A1 12/2014 Hyers

OTHER PUBLICATIONS

Will.I.Am launches pricey i.am by Sharif Sakr dated 2013, found online [Dec. 18, 2013] <http://www.engadget.com/2012/11/28/will-i-am-iphone-accessories-hands-on/>.
 U.S. Appl. No. 29/446,392, filed Jan. 14, 2014, Ex Parte Quayle Office Action.
 International Search Report and Written Opinion for PCT/US2013/69222 dated Feb. 21, 2014.
 U.S. Appl. No. 29/446,392, filed Apr. 10, 2014, Notice of Allowance.
 International Search Report and Written Opinion for PCT/US2013/069225 dated Jan. 10, 2014.
 U.S. Appl. No. 14/074,605, filed Nov. 7, 2013, Adams, William.
 U.S. Appl. No. 14/074,581, filed Nov. 7, 2013, Adams, William.
 U.S. Appl. No. 14/209,649, filed Mar. 13, 2014, Adams, William.
 U.S. Appl. No. 29/448,999, filed Jul. 15, 2014, Notice of Allowance.
 U.S. Appl. No. 14/074,581, filed Jan. 7, 2015, Office Action.
 Schulman, "BoxWave Keyboard Buddy iPhone Case Review," Jan. 5, 2011, retrieved from <http://www.engadget.com/2011/01/05/boxwave-keyboard-buddy-iphone-case-review/> on Feb. 21, 2015.
 Leica i9 Concept: "Turn your iPhone into a Leica" v2.0, Apr. 25, 2011, retrieved from <http://leicarumors.com/2011/04/25/leica-i9-concept-turn-your-iphone-into-a-leica-v2-0.aspx/> on Feb. 21, 2015.
 U.S. Appl. No. 14/209,649, filed Mar. 2, 2015, Office Action.
 U.S. Appl. No. 14/074,605, filed Mar. 2, 2015, Office Action.

* cited by examiner

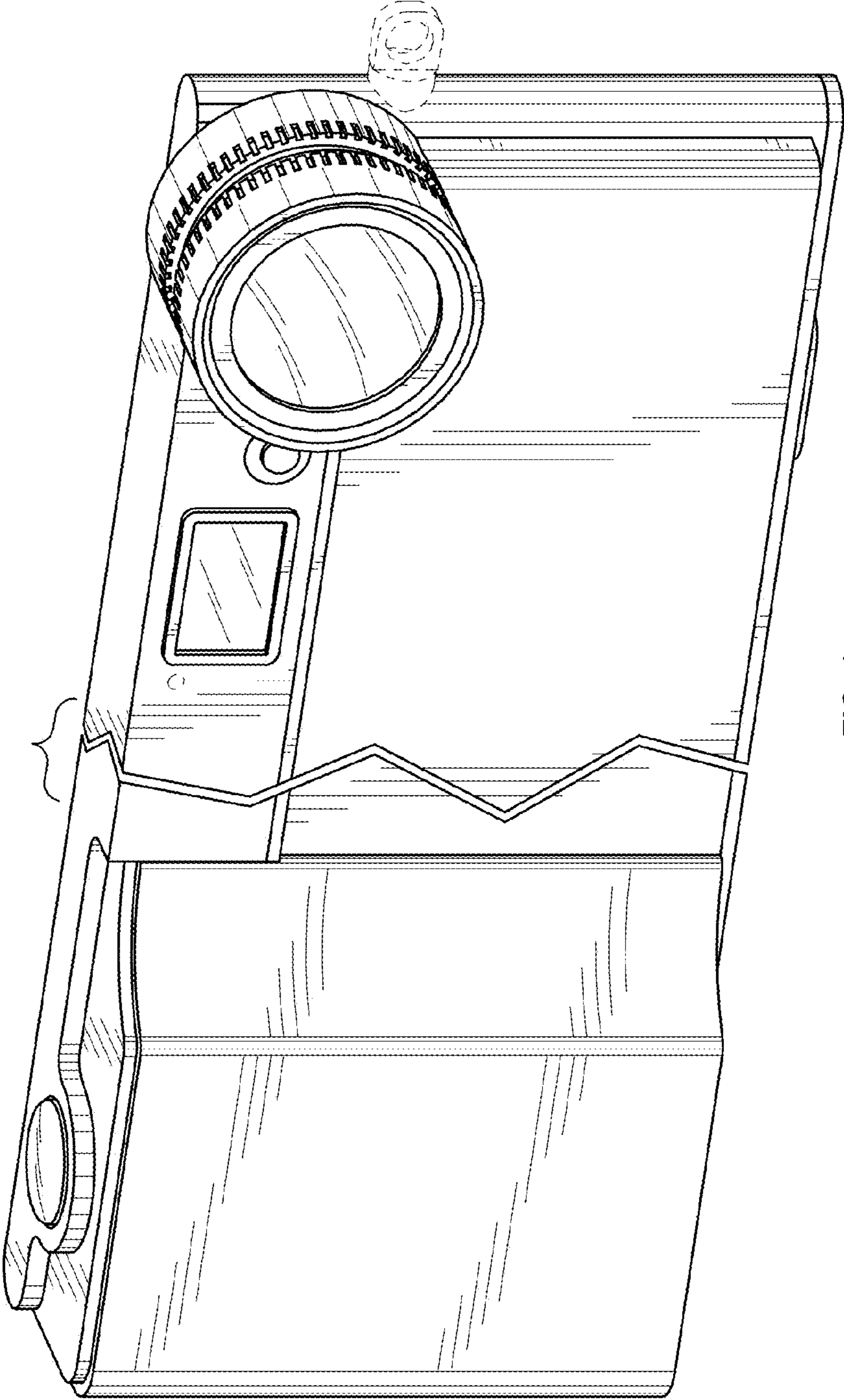


FIG. 1

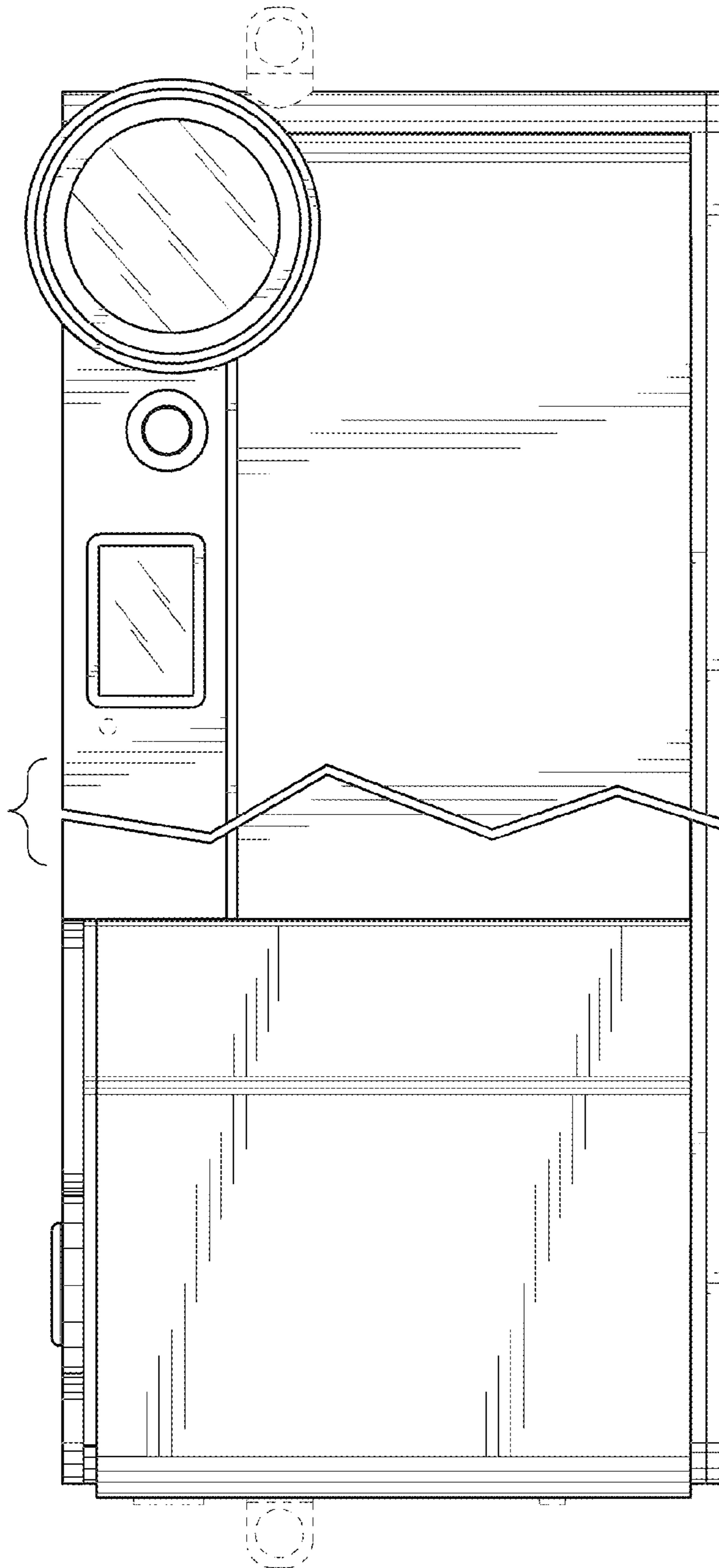


FIG. 2

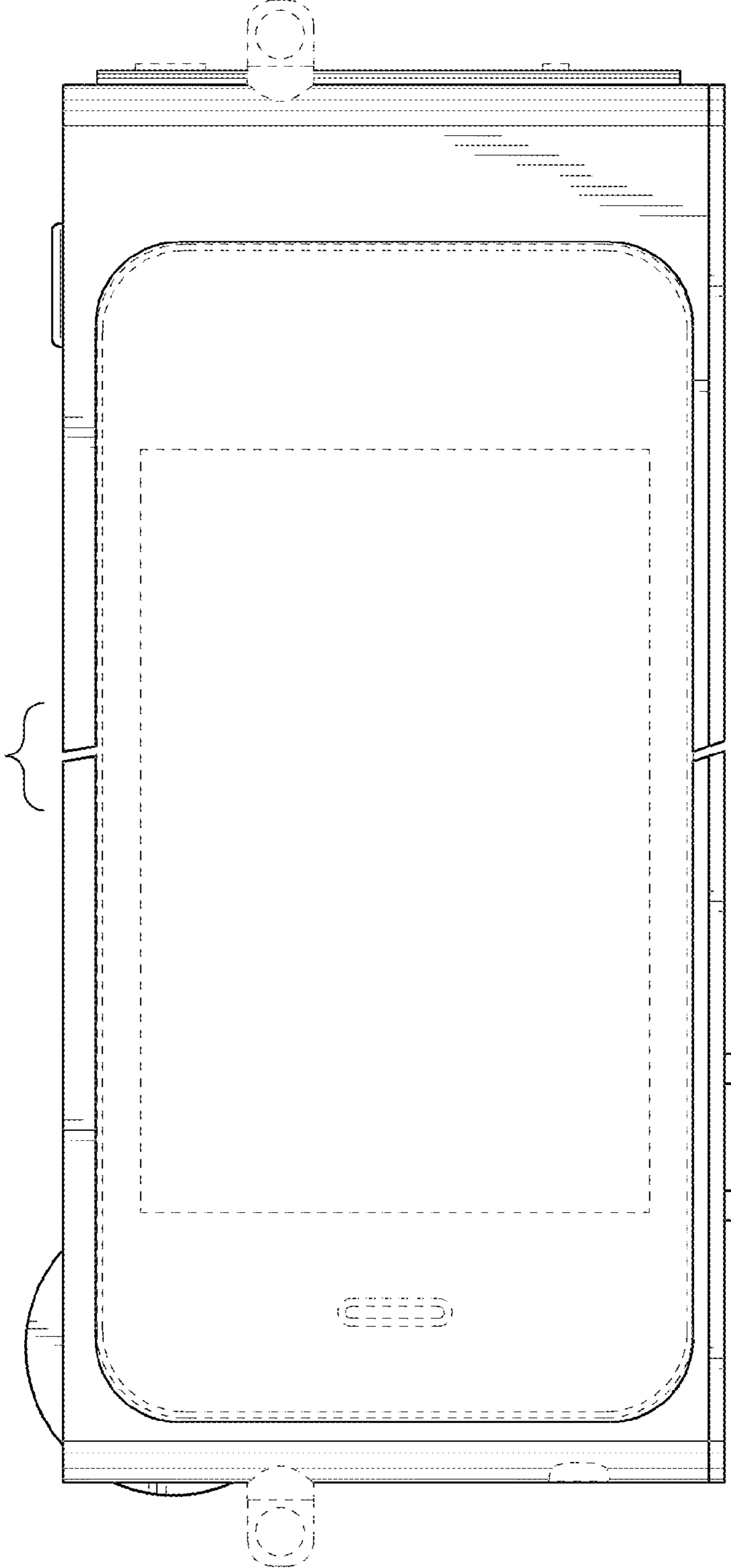


FIG. 3

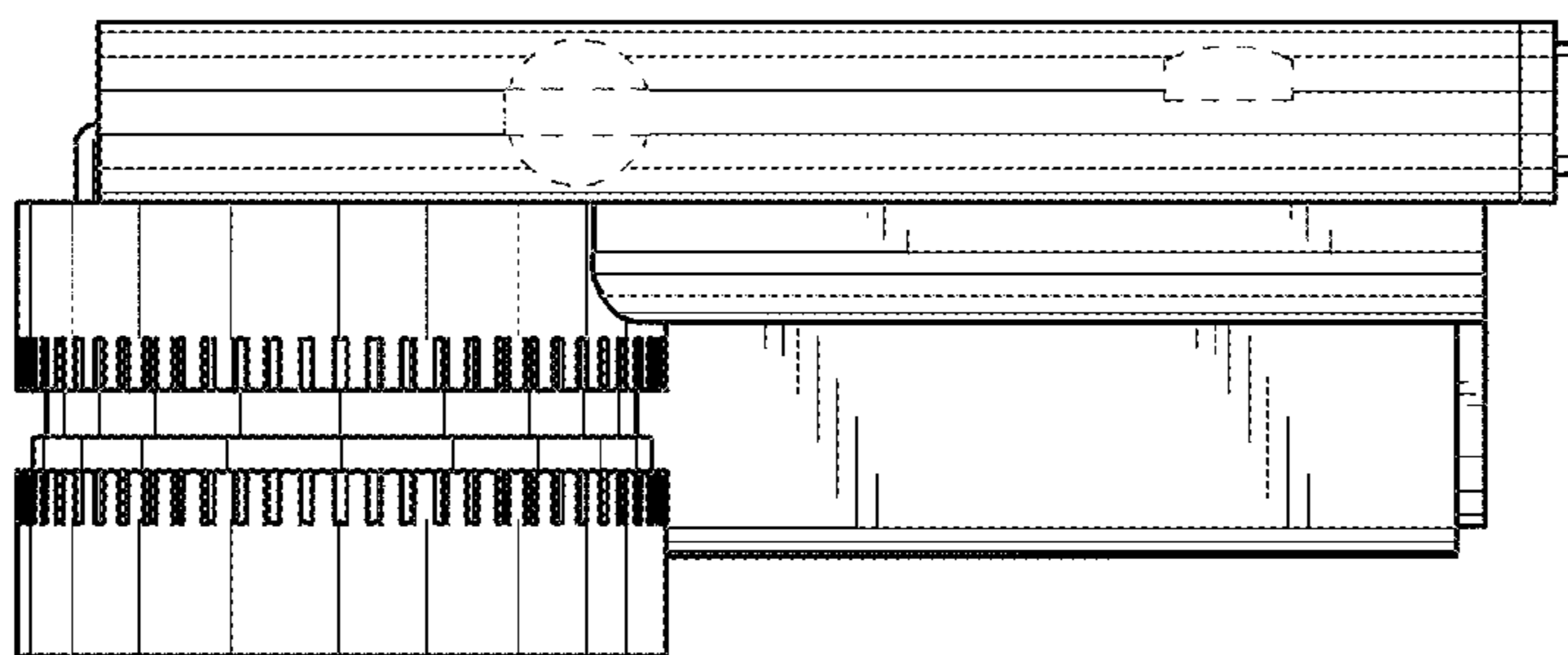


FIG. 5

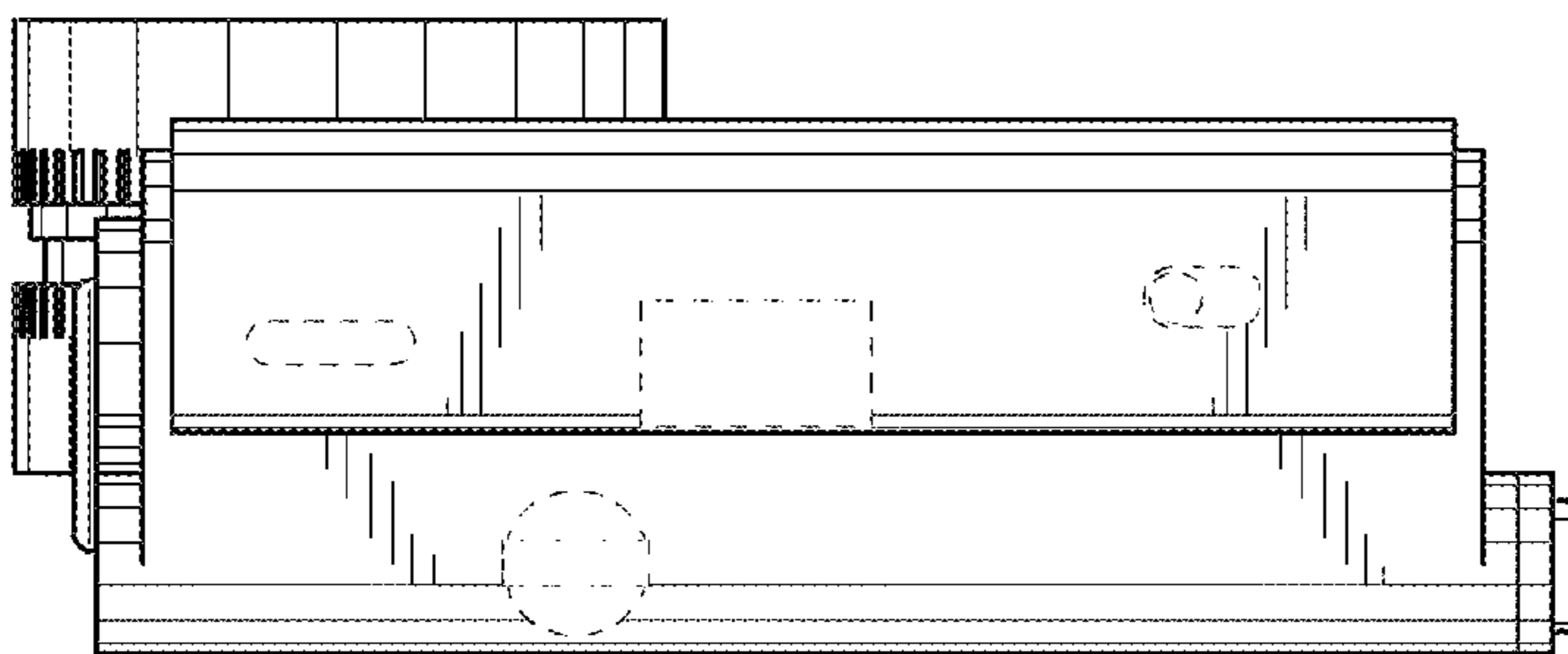


FIG. 4

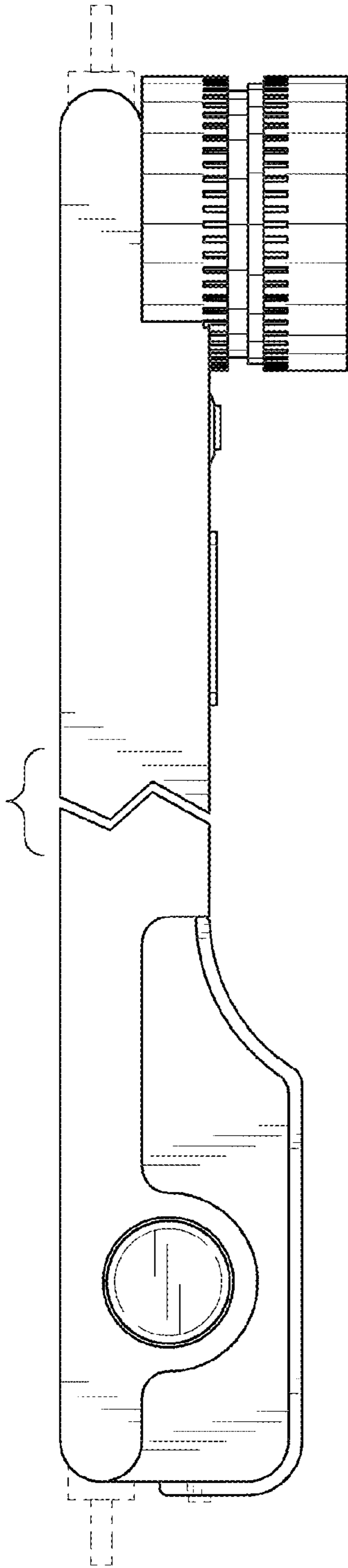


FIG. 6

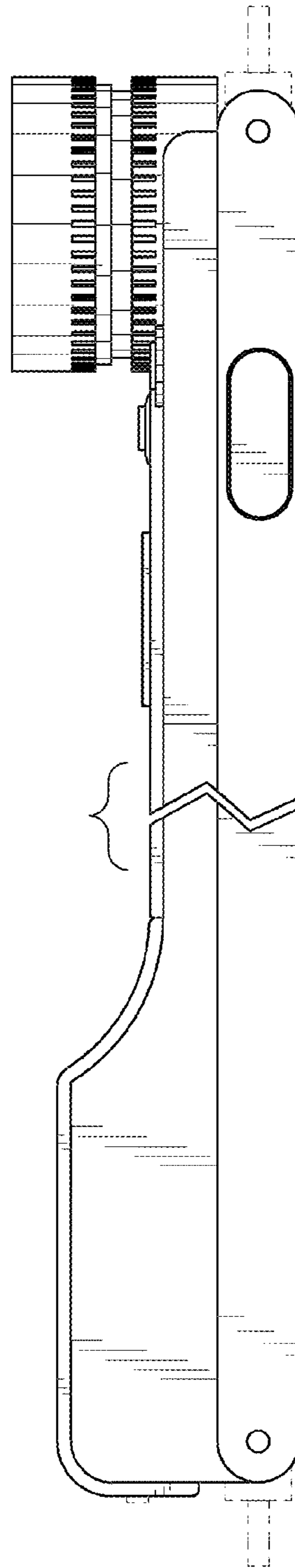


FIG. 7

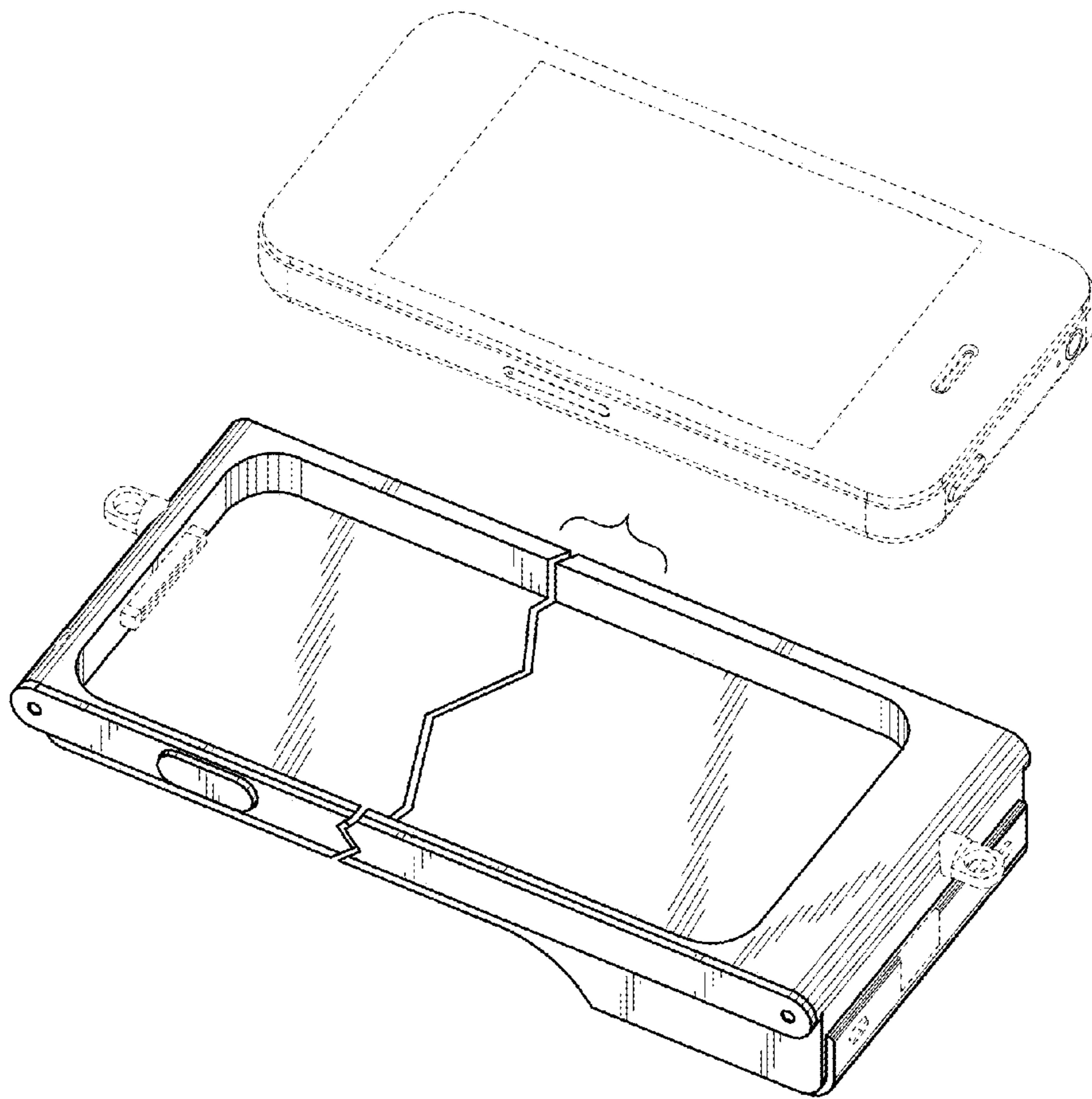


FIG. 8

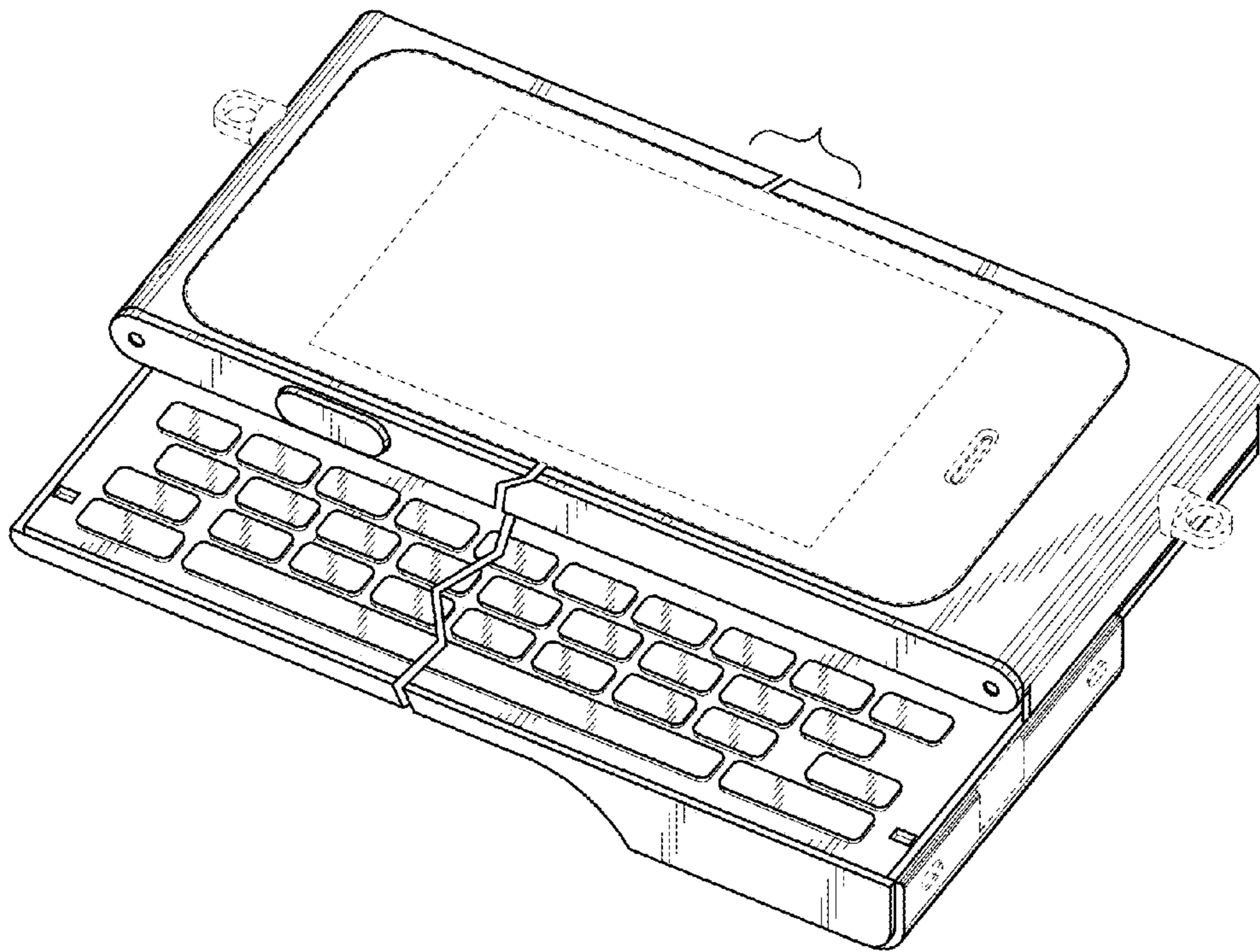


FIG. 9

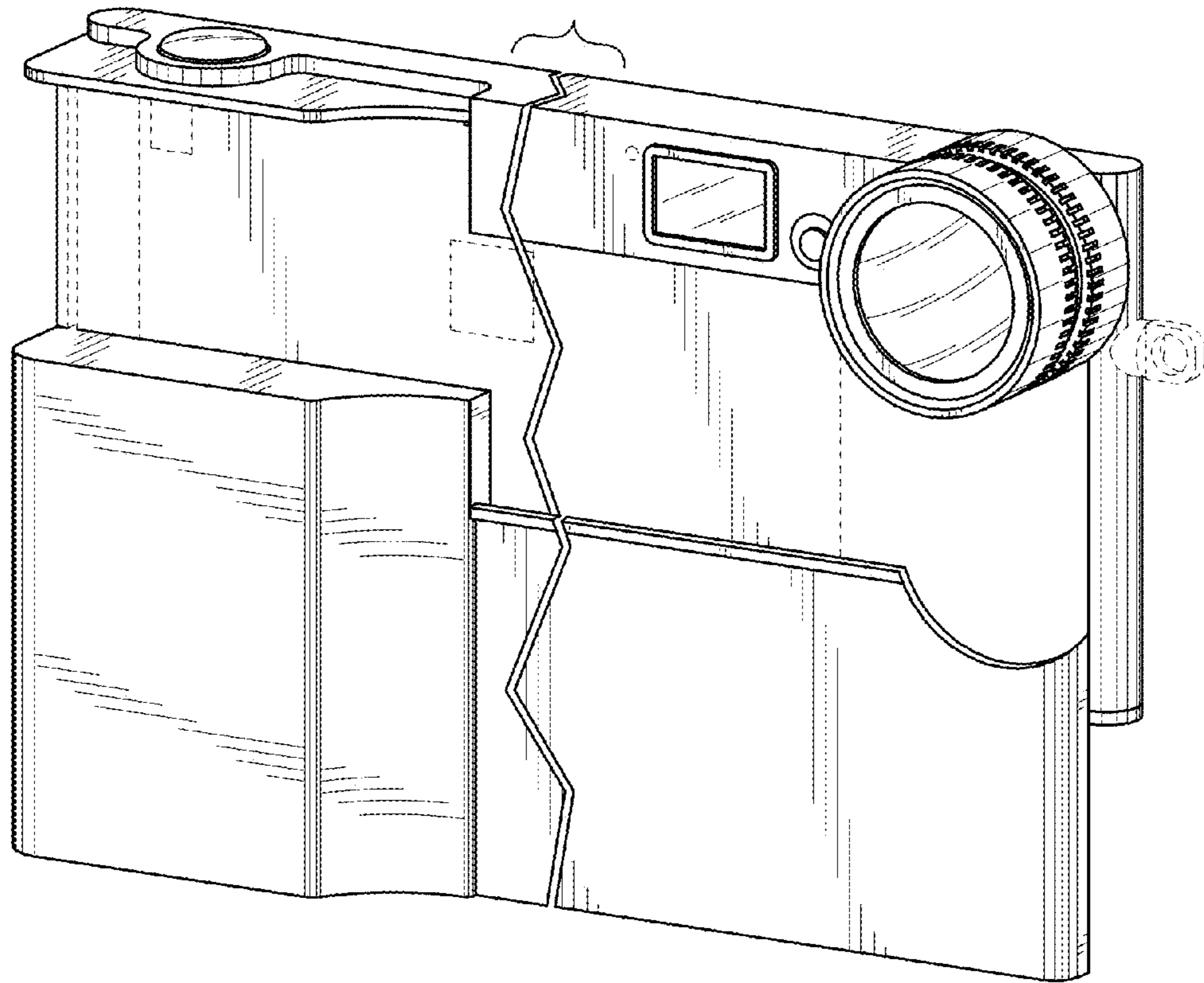


FIG. 10