



US00D729298S

(12) **United States Design Patent**  
**Schmidt et al.**

(10) **Patent No.:** **US D729,298 S**

(45) **Date of Patent:** **\*\* May 12, 2015**

(54) **CAMERA**

(71) Applicant: **Lyve Minds, Inc.**, Cupertino, CA (US)

(72) Inventors: **Peter O. Schmidt**, San Jose, CA (US);  
**Mihnea Calin Pacurariu**, Los Gatos,  
CA (US); **David Hoenig**, Cupertino, CA  
(US); **Andreas von Sneidern**, San Jose,  
CA (US); **Jeanette Marie Numbers**,  
Providence, RI (US); **Gregor**  
**Mittersinker**, Warwick, RI (US)

(73) Assignee: **Lyve Minds, Inc.**, Cupertino, CA (US)

(\*\*) Term: **14 Years**

(21) Appl. No.: **29/478,362**

(22) Filed: **Jan. 3, 2014**

(51) **LOC (10) Cl.** ..... **16-01**

(52) **U.S. Cl.**  
USPC ..... **D16/203**

(58) **Field of Classification Search**  
CPC ..... G03B 15/03; G03B 17/02; G03B 17/04;  
G03B 17/56; G03B 19/04; H04N 5/2251;  
H04N 5/2252; H04N 5/2253; H04N 5/2254;  
H04N 2101/00  
USPC ..... D16/200, 202–208, 210, 218, 219;  
348/143, 148, 151, 373–376; 396/419,  
396/427, 535–541  
See application file for complete search history.

(56) **References Cited**

**U.S. PATENT DOCUMENTS**

D474,276 S \* 5/2003 Greise et al. .... D16/219  
6,637,952 B2 \* 10/2003 Arbuckle et al. .... 396/427

D484,159 S *	12/2003	Cheng .....	D16/203
D528,576 S *	9/2006	Chung et al. ....	D16/202
D529,528 S *	10/2006	Ross et al. ....	D16/200
D551,275 S *	9/2007	Kim .....	D16/203
D556,234 S *	11/2007	Pena Angarita .....	D16/203
D582,460 S *	12/2008	Yoo et al. ....	D16/203
D600,731 S *	9/2009	Lee et al. ....	D16/203
D621,435 S *	8/2010	Green et al. ....	D16/219
D631,495 S *	1/2011	Lee et al. ....	D16/202
D638,870 S *	5/2011	Kim et al. ....	D16/202
D640,721 S *	6/2011	Satine .....	D16/204
D673,987 S *	1/2013	Mirrer .....	D16/202
D687,875 S *	8/2013	Sasaki .....	D16/202
D694,797 S *	12/2013	Parker .....	D16/203
2007/0223915 A1 *	9/2007	Yi .....	396/535

\* cited by examiner

*Primary Examiner* — Adir Aronovich

*Assistant Examiner* — Ramzi Almatrahi

(74) *Attorney, Agent, or Firm* — Maschoff Brennan

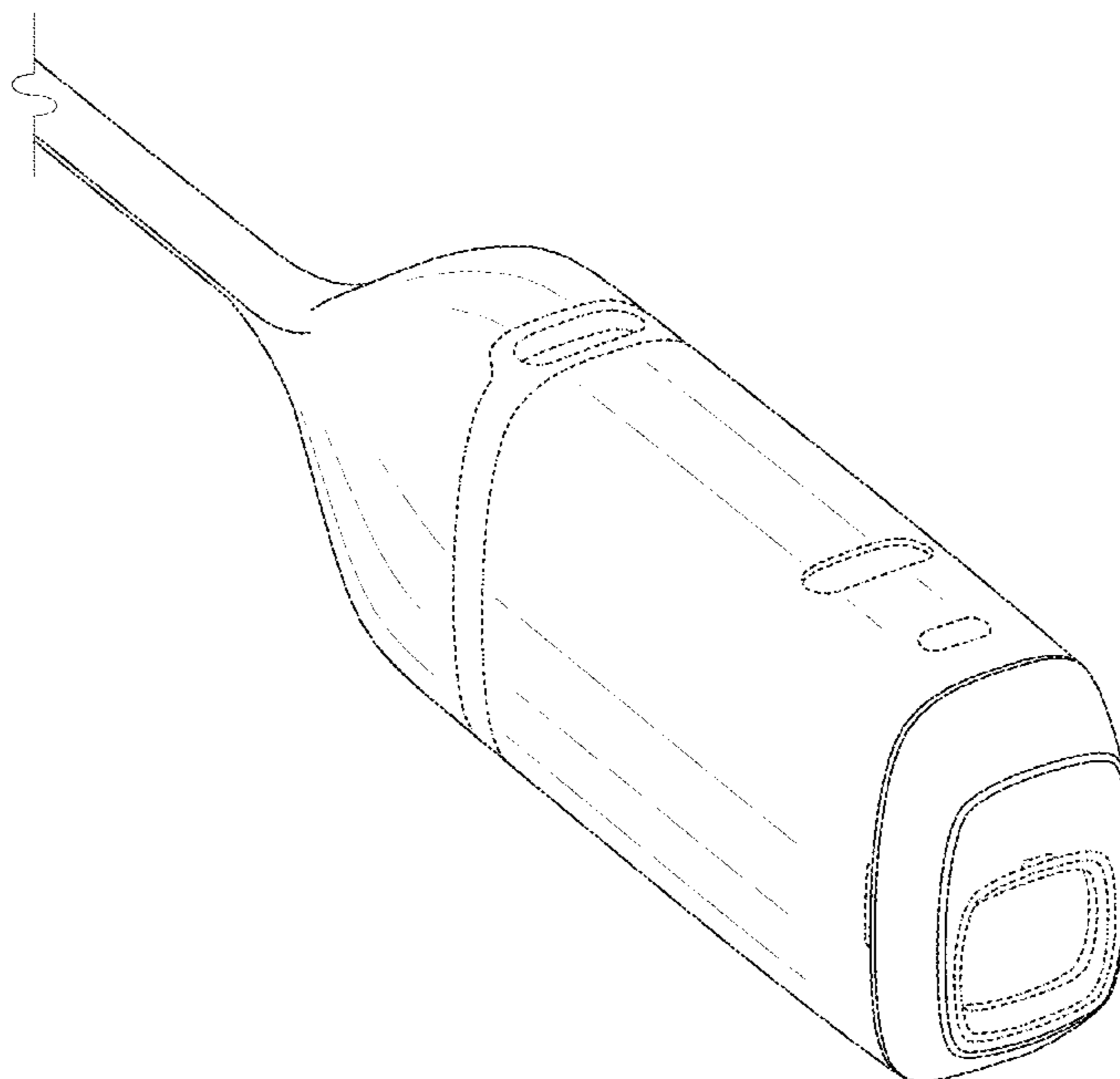
(57) **CLAIM**

The ornamental design for a camera, as shown and described.

**DESCRIPTION**

FIG. 1 is a bottom perspective view of a camera;  
FIG. 2 is a top perspective view thereof;  
FIG. 3 is a left side elevation view thereof;  
FIG. 4 is a front elevation view thereof;  
FIG. 5 is a right side elevation view thereof;  
FIG. 6 is a rear elevation view thereof;  
FIG. 7 is a top plan view thereof; and,  
FIG. 8 is a bottom plan view thereof.  
The broken lines depict portions of a camera in which the  
design is embodied and form no part of the claimed design.

**1 Claim, 5 Drawing Sheets**



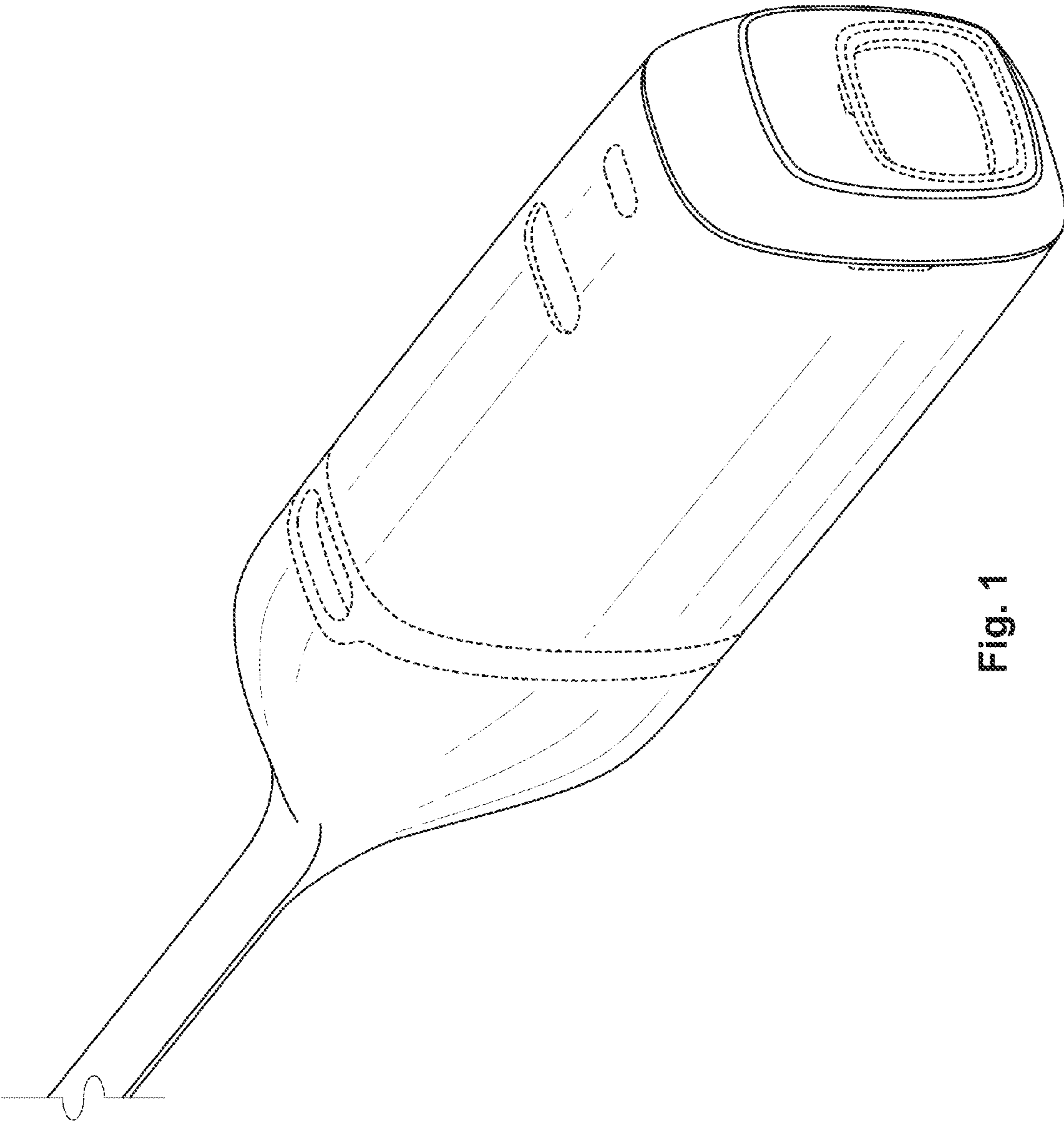


Fig. 1

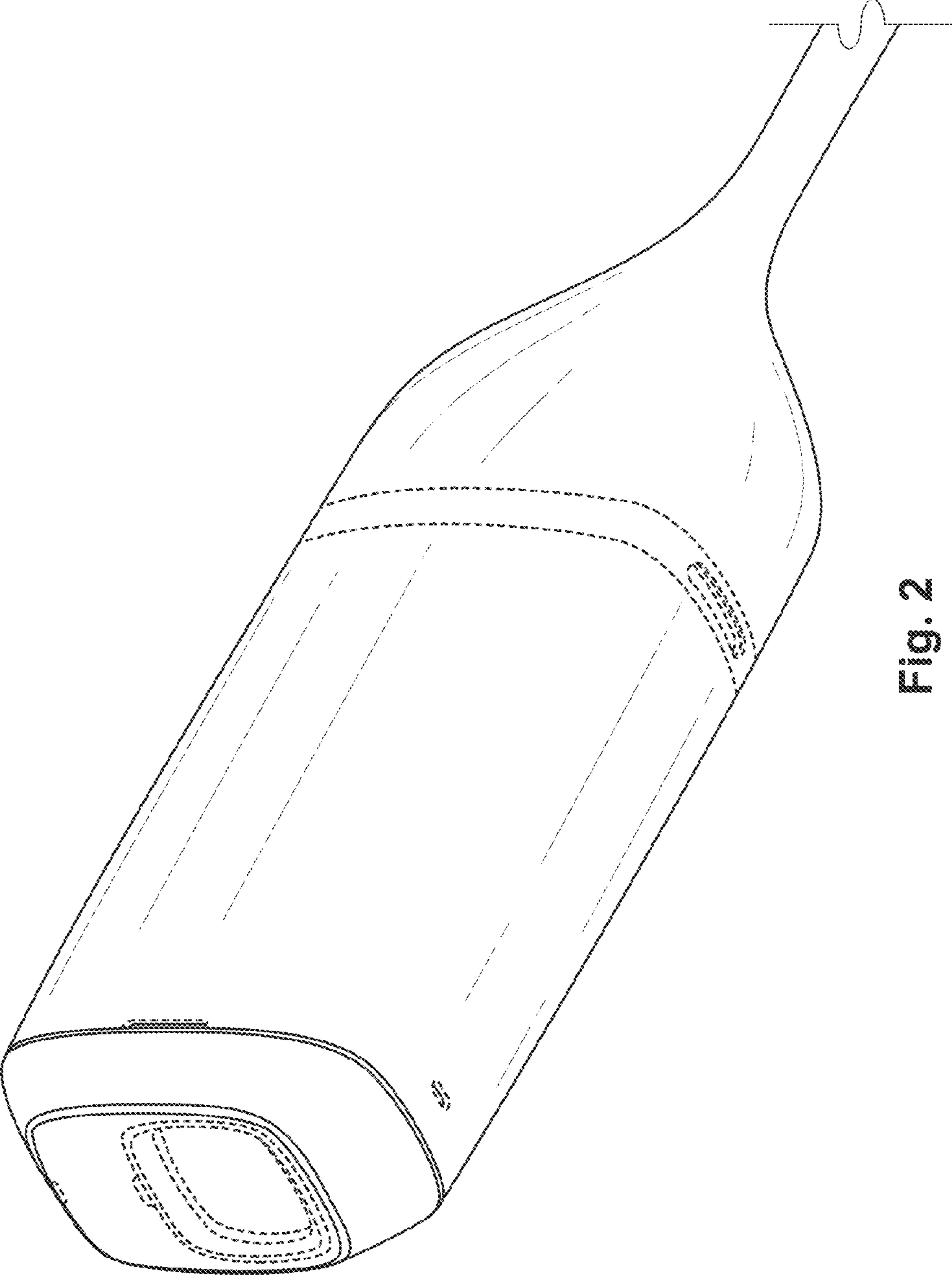


Fig. 2

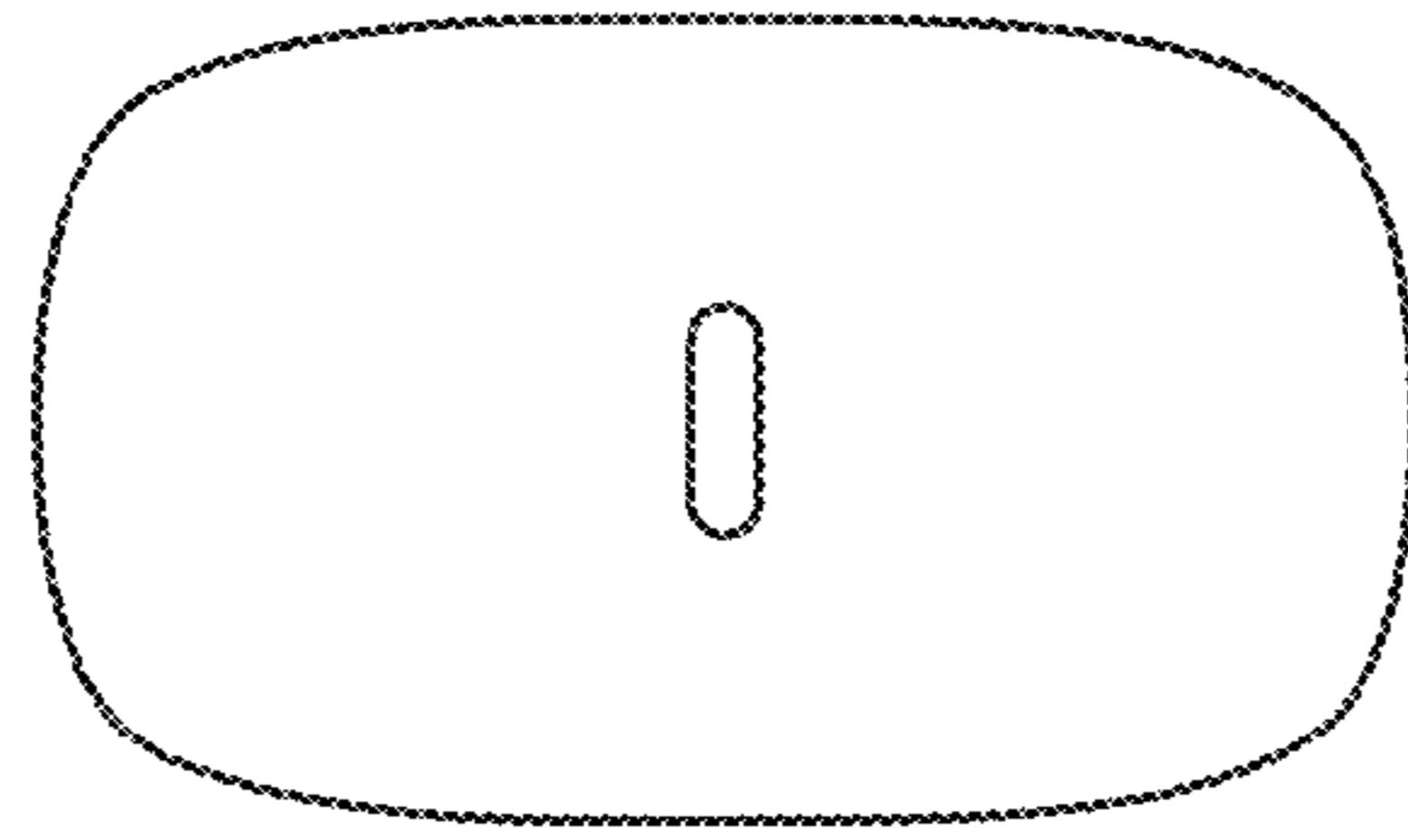


Fig. 4

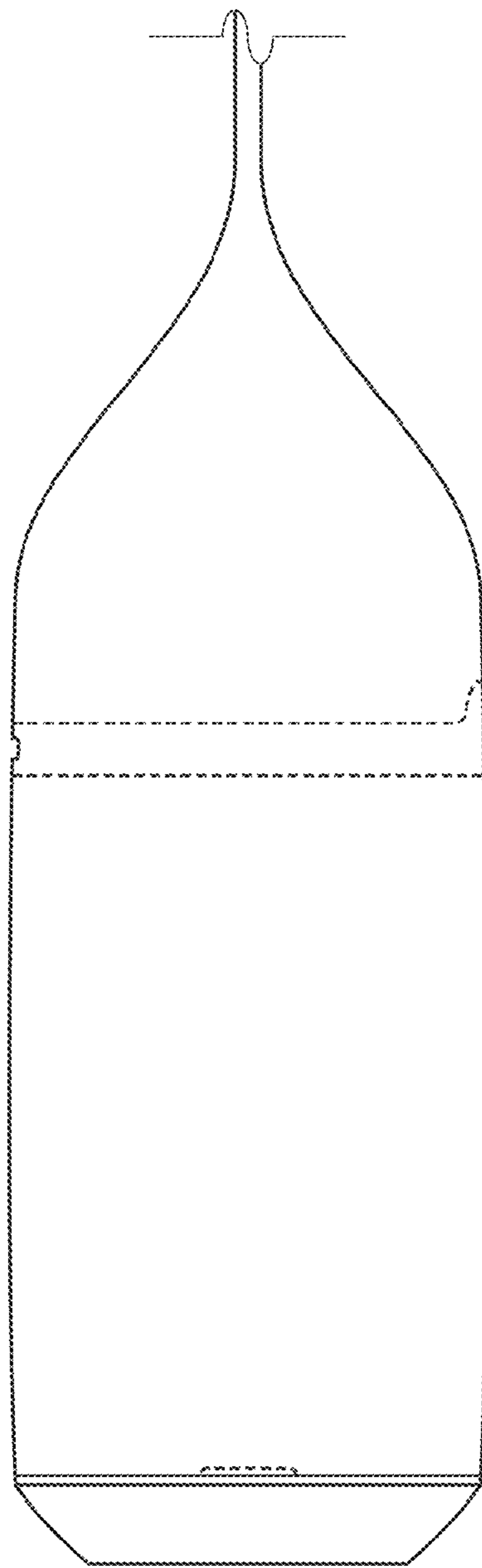


Fig. 3

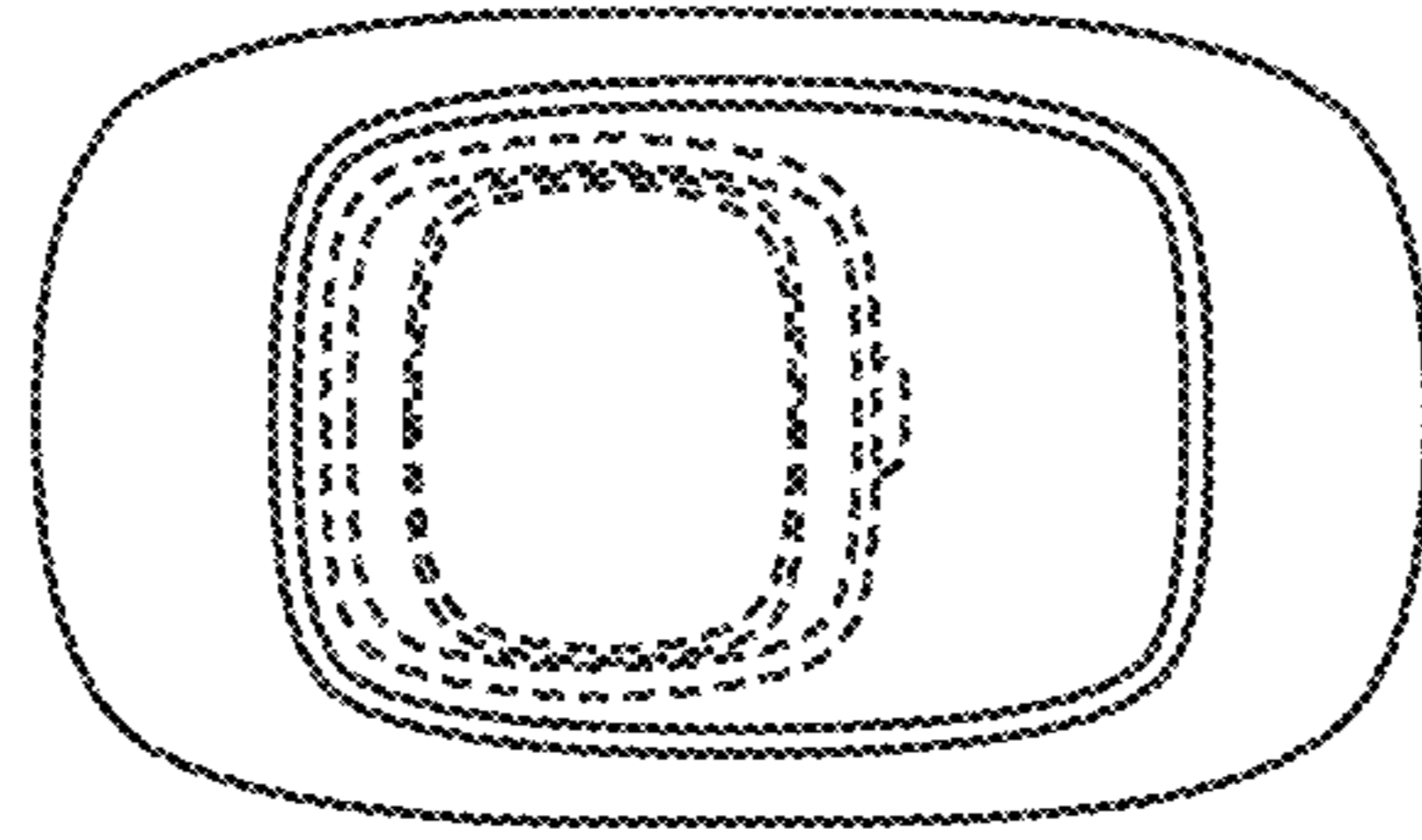


Fig. 6

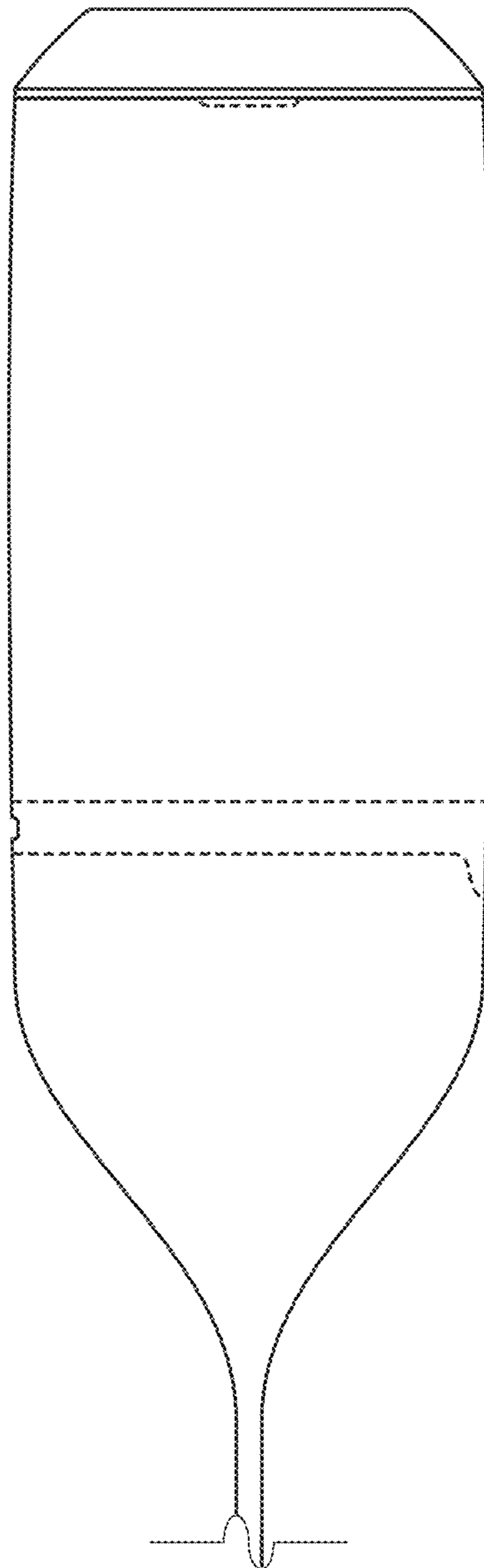


Fig. 5

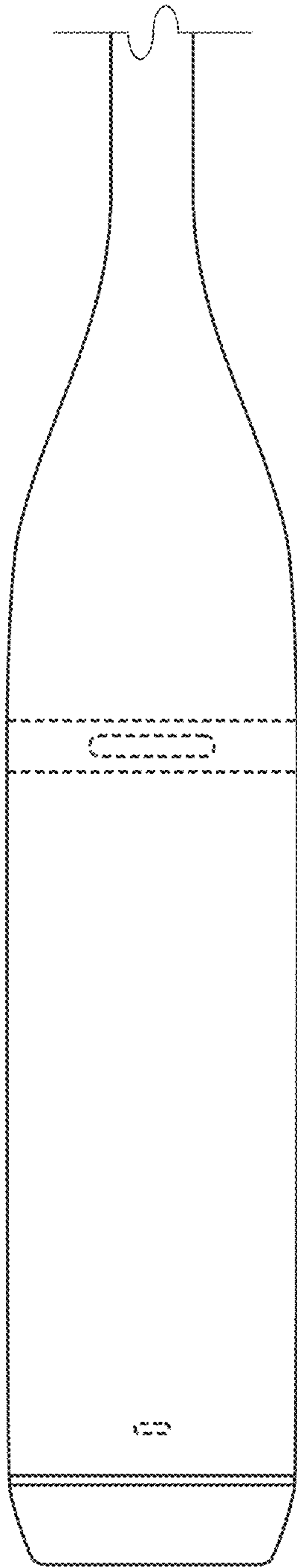


Fig. 7

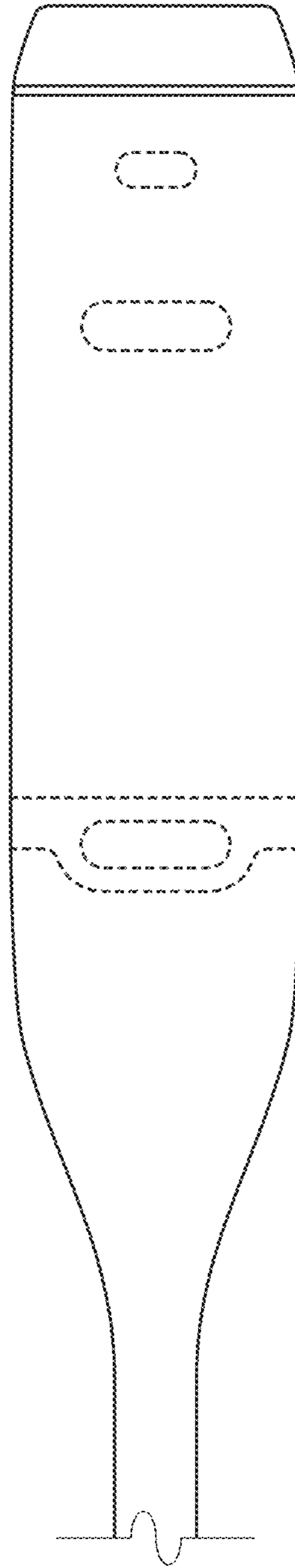


Fig. 8