



US00D729297S

(12) **United States Design Patent**  
**Ikegame**

(10) **Patent No.:** **US D729,297 S**

(45) **Date of Patent:** **\*\* May 12, 2015**

(54) **DIGITAL CAMERA**

(71) Applicant: **FUJIFILM Corporation**, Tokyo (JP)

(72) Inventor: **Haruka Ikegame**, Tokyo (JP)

(73) Assignee: **FUJIFILM Corporation**, Tokyo (JP)

(\*\*) Term: **14 Years**

(21) Appl. No.: **29/481,855**

(22) Filed: **Feb. 11, 2014**

(30) **Foreign Application Priority Data**

Aug. 16, 2013 (JP) ..... 2013-018791

(51) **LOC (10) Cl.** ..... **16-01**

(52) **U.S. Cl.**  
USPC ..... **D16/202**

(58) **Field of Classification Search**

CPC ..... G03B 15/03; G03B 15/05; G03B 17/02;  
G03B 17/04; G03B 17/56; G03B 19/04;  
H04N 5/2251; H04N 5/2252; H04N 5/2253;  
H04N 5/2254; H04N 2007/145  
USPC ..... D16/200, 202-206, 208, 209, 211,  
D16/217-219, 239; 348/371, 373-376;  
396/176-178, 535, 538-541

See application file for complete search history.

(56) **References Cited**

**U.S. PATENT DOCUMENTS**

D327,899 S \* 7/1992 Goldstein et al. .... D16/209  
5,581,321 A \* 12/1996 Boyd ..... 396/535  
5,640,641 A \* 6/1997 Balling ..... 396/535  
D412,516 S \* 8/1999 Yoshida ..... D16/209  
D462,704 S \* 9/2002 Suzuki et al. .... D16/202

D479,547 S \* 9/2003 Nagayama ..... D16/202  
D516,599 S \* 3/2006 Nakamura ..... D16/202  
D537,460 S \* 2/2007 Nakamura et al. .... D16/202  
D695,329 S \* 12/2013 Fujita et al. .... D16/202  
2002/0031354 A1 \* 3/2002 Nagata ..... 396/535  
2002/0041765 A1 \* 4/2002 Onda et al. .... 396/538  
2011/0181771 A1 \* 7/2011 Hazama ..... 348/371

\* cited by examiner

*Primary Examiner* — Adir Aronovich

*Assistant Examiner* — Ramzi Almatrahi

(74) *Attorney, Agent, or Firm* — Jean C. Edwards, Esq.;  
Edwards Neils PLLC

(57) **CLAIM**

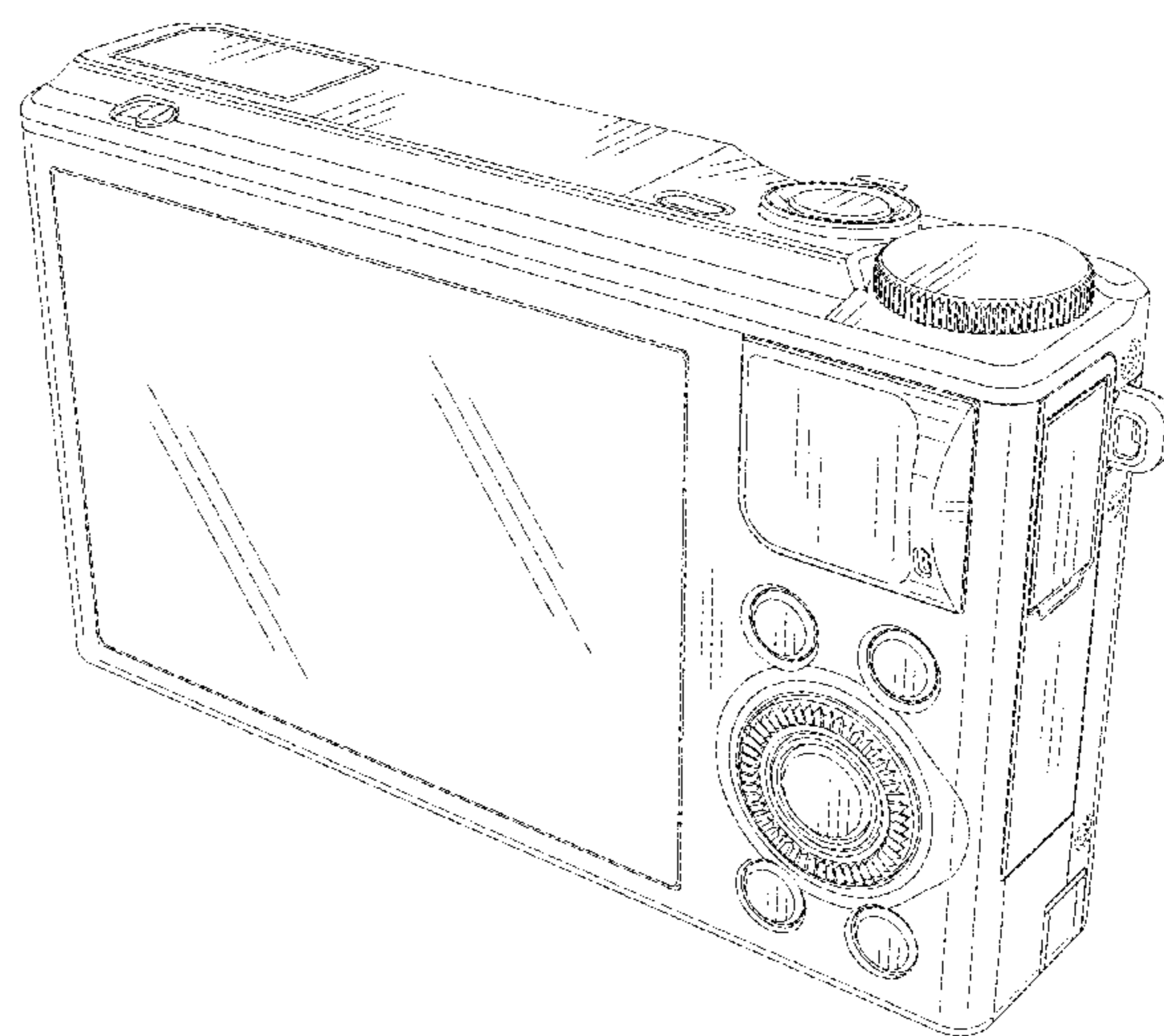
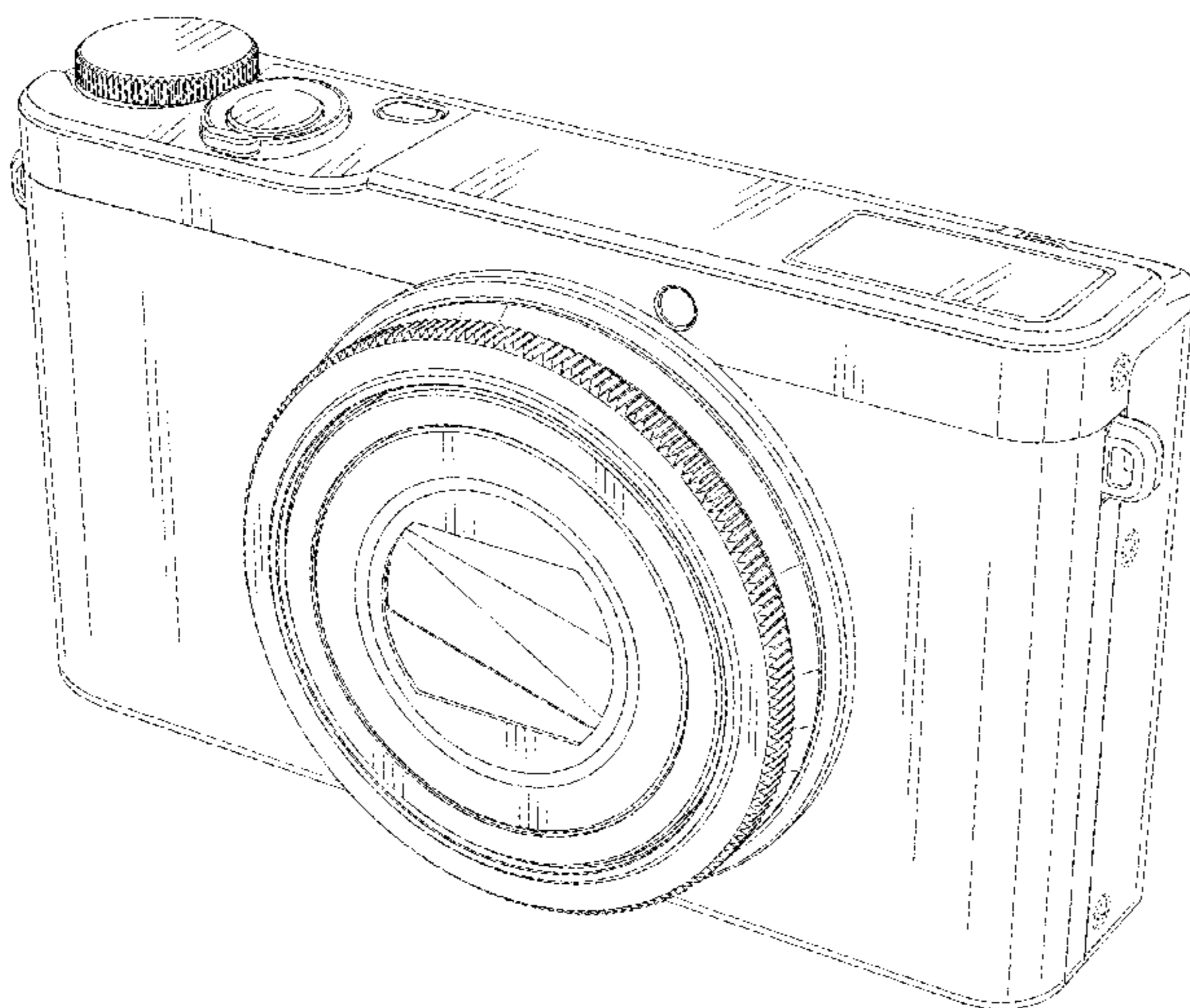
The ornamental design for a digital camera, as shown and described.

**DESCRIPTION**

FIG. 1 is a front, top and right side perspective view of a digital camera showing my new design;  
FIG. 2 is a rear, top and left side perspective view thereof;  
FIG. 3 is a front elevation view thereof;  
FIG. 4 is a rear elevation view thereof;  
FIG. 5 is a left side elevation view thereof;  
FIG. 6 is a right side elevation view thereof;  
FIG. 7 is a top plan view thereof;  
FIG. 8 is a bottom plan view thereof; and,  
FIG. 9 is a front, top and right side perspective view of a digital camera with the lens and flash unit in an extended position.

The broken lines depict portions of a digital camera in which the design is embodied and form no part of the claimed design.

**1 Claim, 8 Drawing Sheets**



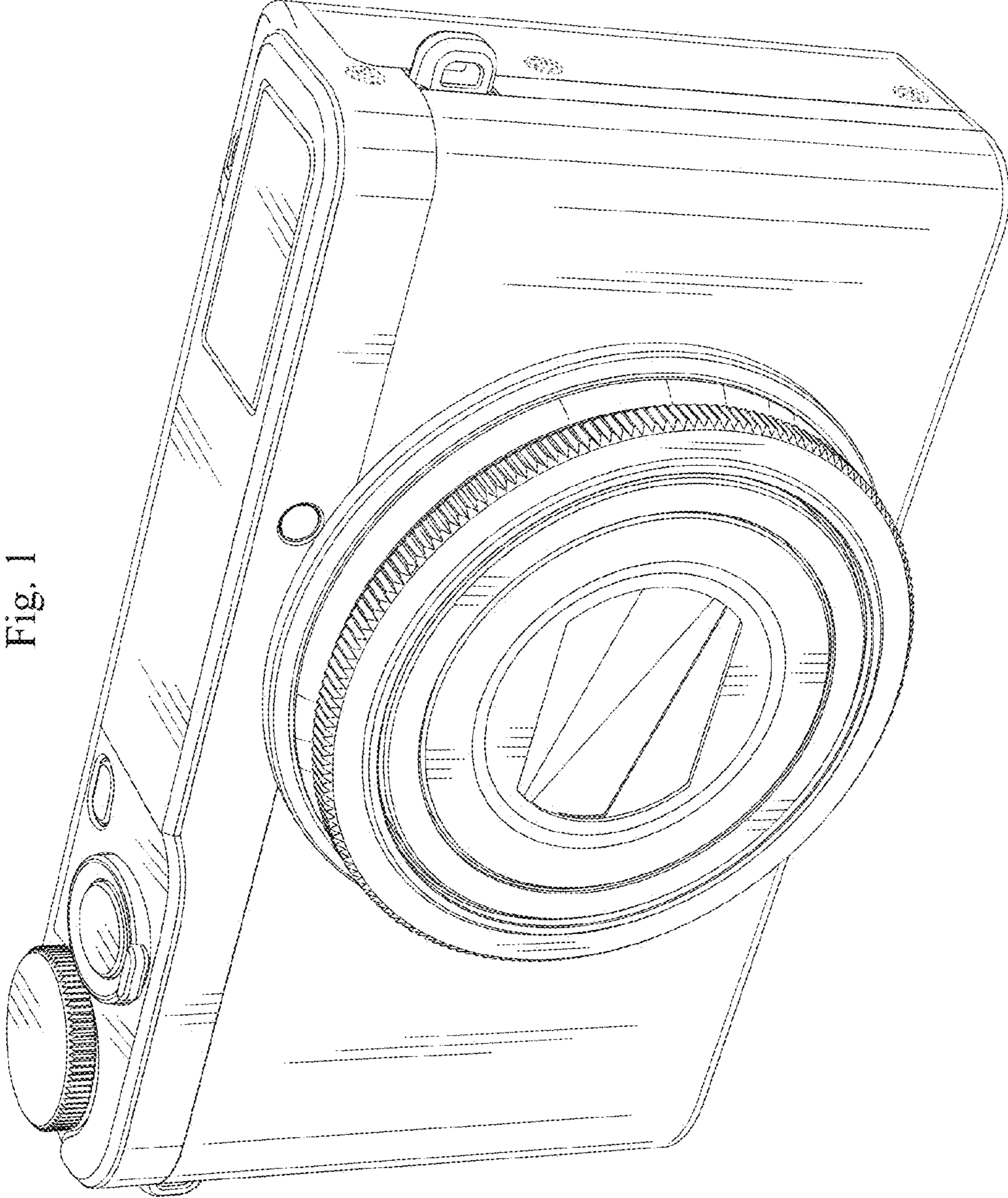


Fig. 1

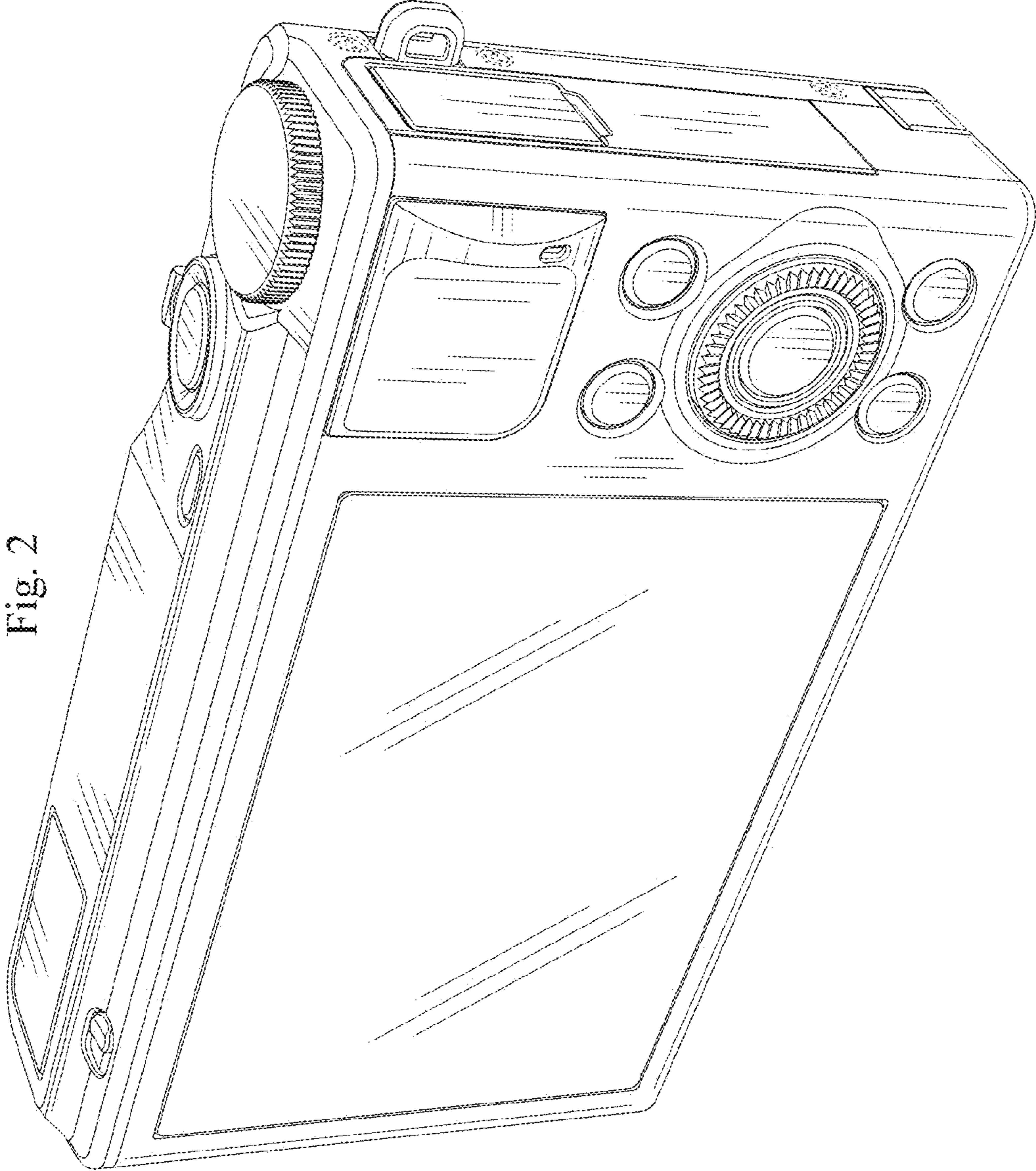


Fig. 2

Fig. 3

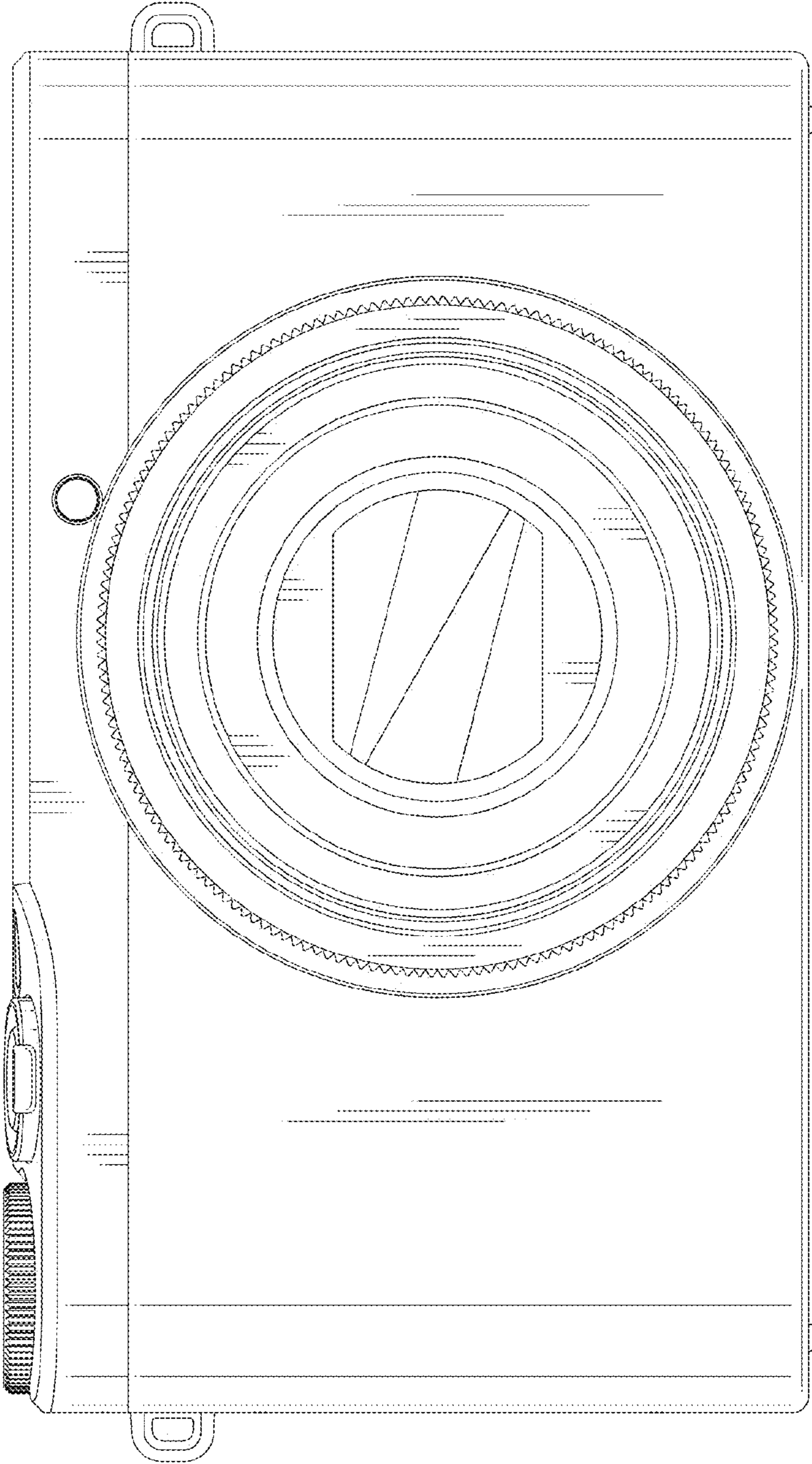


Fig. 4

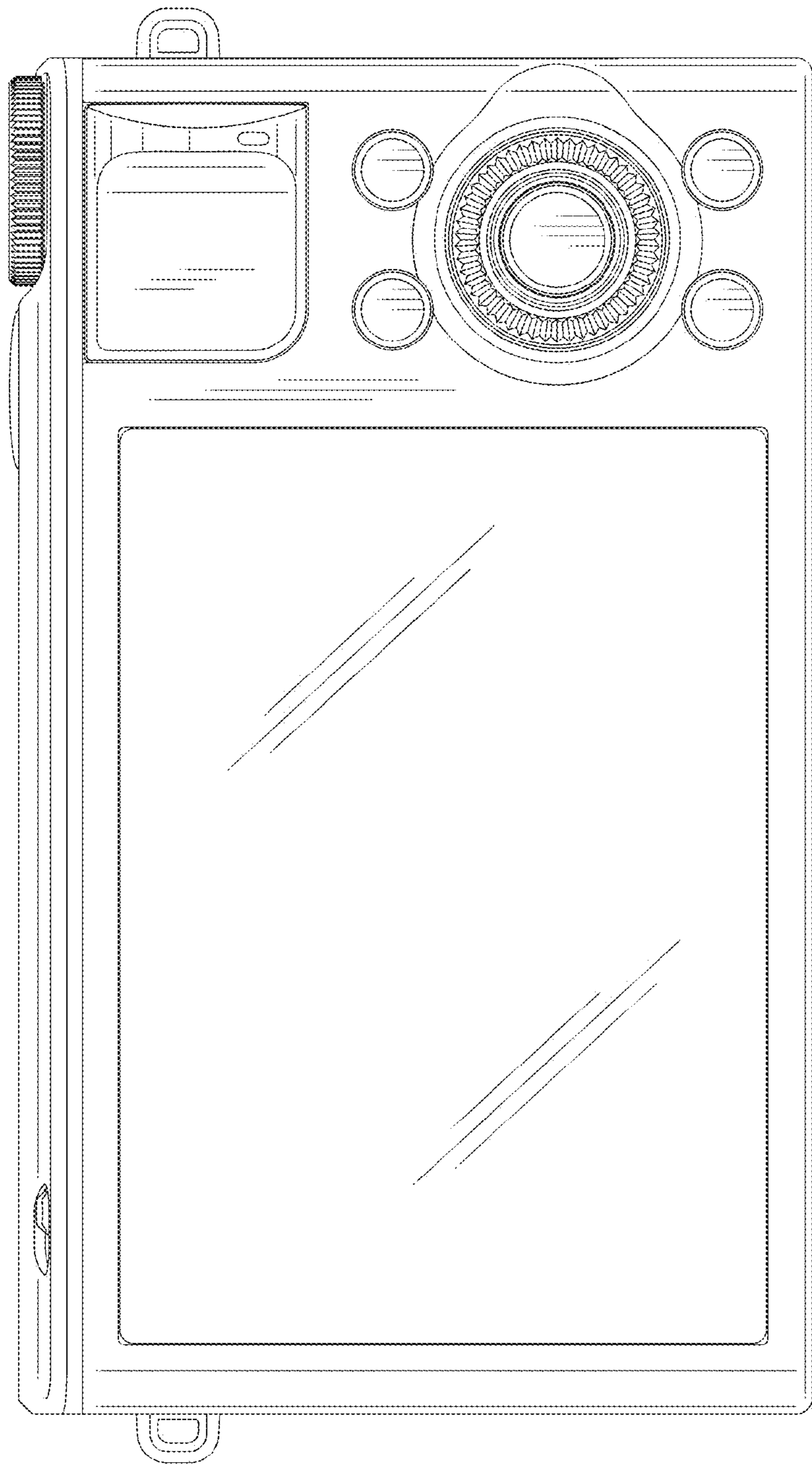


Fig. 6

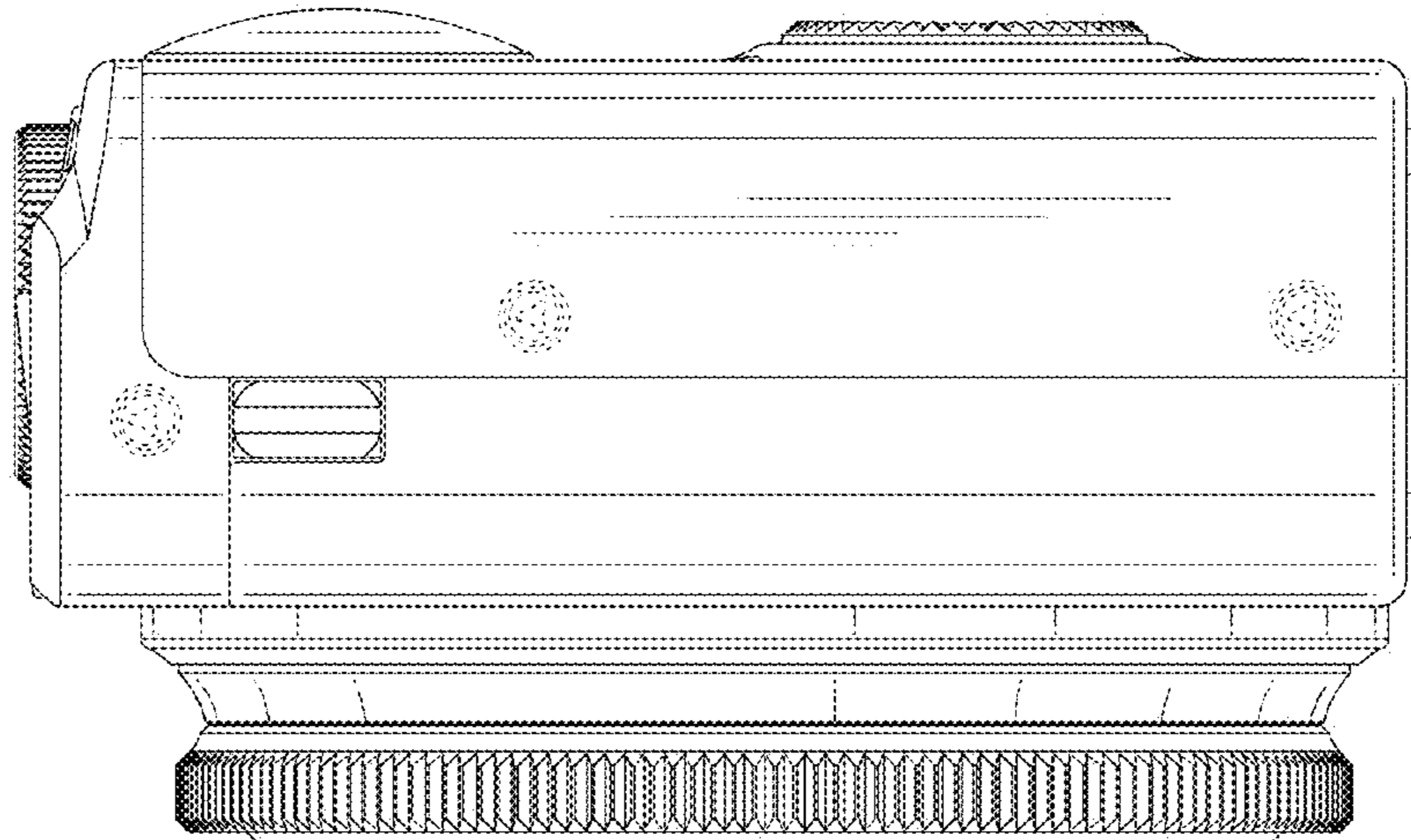


Fig. 5

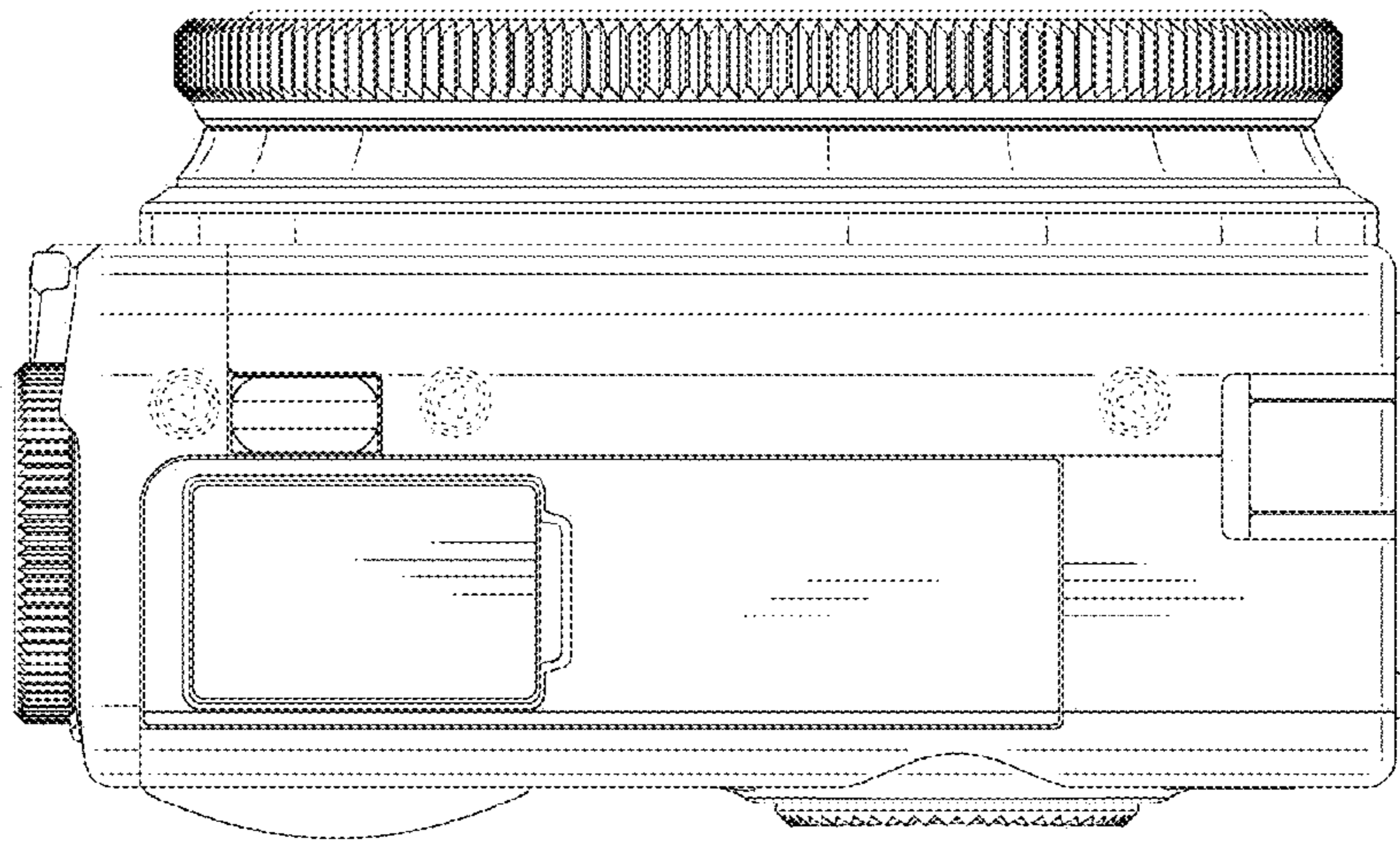


Fig. 7

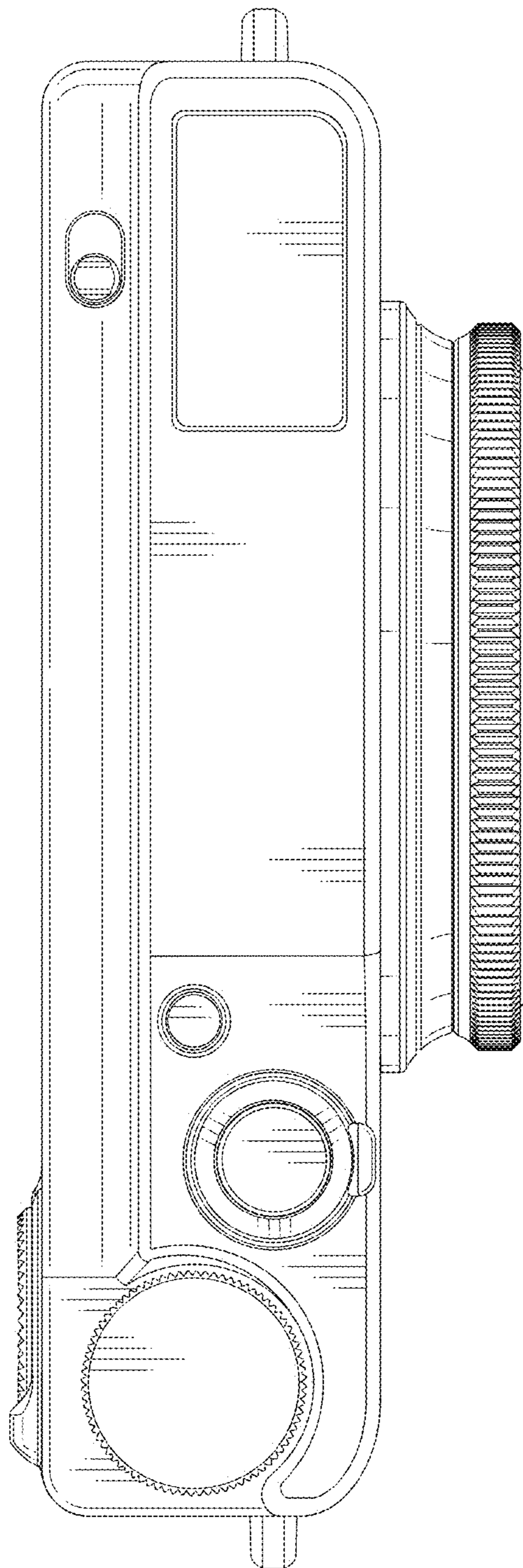


Fig. 8

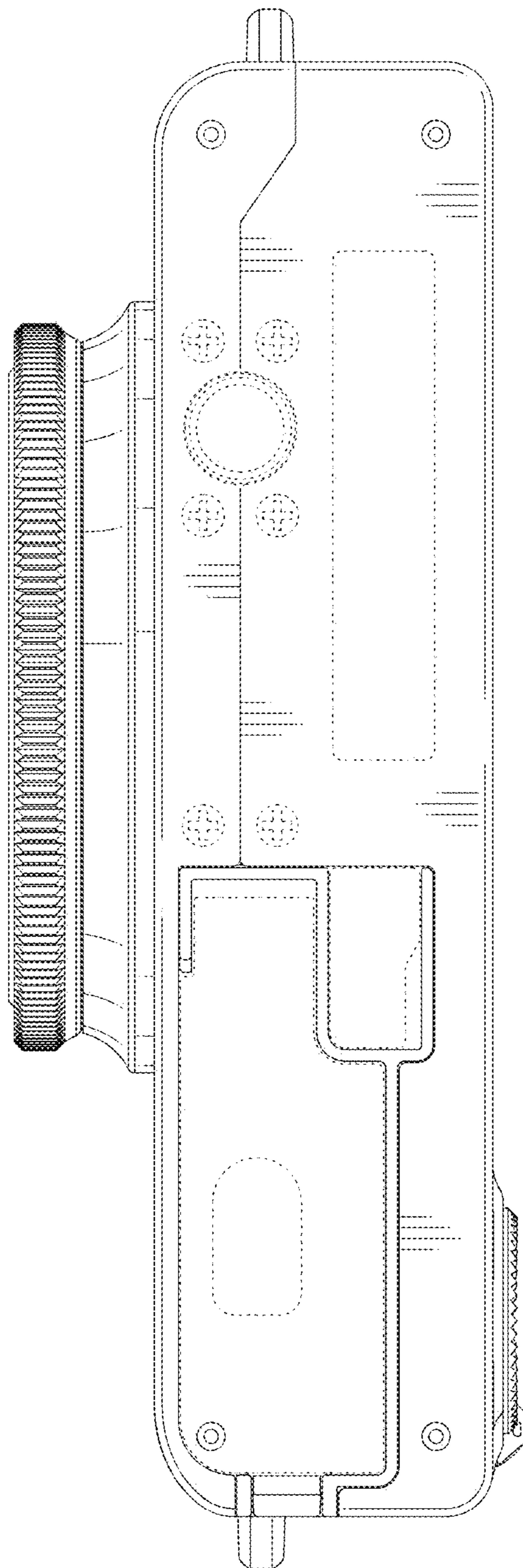




Fig. 9

