



US00D729293S

(12) **United States Design Patent**
Lewis et al.

(10) **Patent No.:** **US D729,293 S**
(45) **Date of Patent:** **** May 12, 2015**

(54) **THREE-DIMENSIONAL DISPLAY DEVICE**

2013/0050186 A1* 2/2013 Large et al. 345/419

* cited by examiner

(75) Inventors: **April A. Lewis**, Lenoir City, TN (US);
John W. Shaw, Jr., Rockwood, TN (US)

Primary Examiner — Patricia Palasik
(74) *Attorney, Agent, or Firm* — Brinks Gilson & Lione

(73) Assignee: **UT-Battelle, LLC**, Oak Ridge, TN (US)

(57) **CLAIM**

The ornamental design for a three-dimensional display device, as shown and described.

(**) Term: **14 Years**

DESCRIPTION

(21) Appl. No.: **29/413,908**

This invention was made with government support under Contract No. DE-AC05-00OR22725 awarded by the U.S. Department of Energy. The government has certain rights in the invention.

(22) Filed: **Feb. 22, 2012**

(51) **LOC (10) Cl.** **15-99**

(52) **U.S. Cl.**
USPC **D15/199**

(58) **Field of Classification Search**
USPC D15/122, 199; D20/1; 345/5, 7, 87;
348/56, 57

See application file for complete search history.

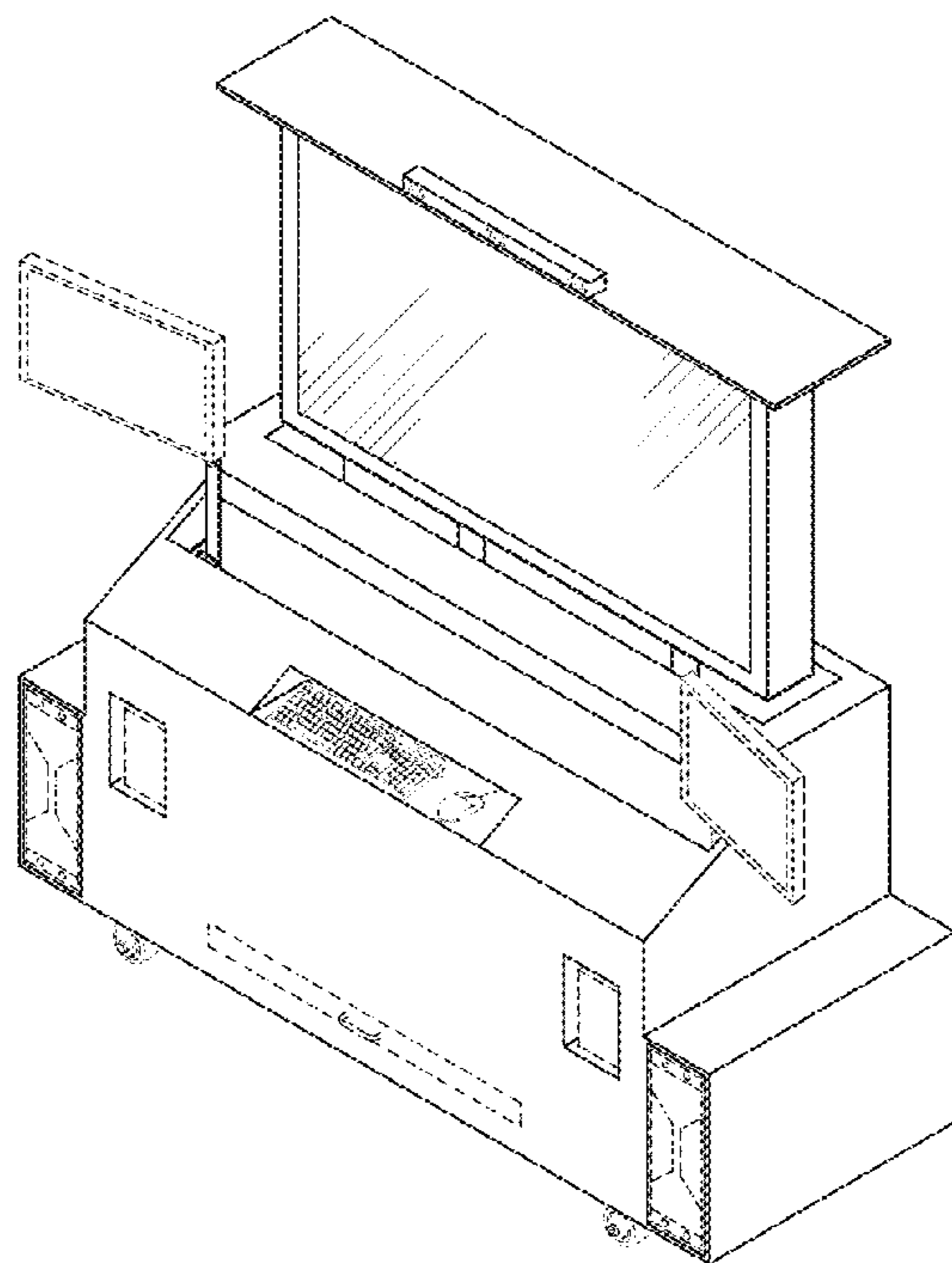
FIG. 1 is an isometric view of a three-dimensional display device according to our design;
FIG. 2 is a front elevation view thereof;
FIG. 3 is a rear elevation view thereof;
FIG. 4 is a left side elevation view thereof;
FIG. 5 is a right side elevation view thereof;
FIG. 6 is a top plan view thereof;
FIG. 7 is an isometric view of the three-dimensional display device shown in an alternate position;
FIG. 8 is a front elevation view thereof;
FIG. 9 is a rear elevation view thereof;
FIG. 10 is a left side elevation view thereof;
FIG. 11 is a right side elevation view thereof; and,
FIG. 12 is a top plan view thereof.

(56) **References Cited**

U.S. PATENT DOCUMENTS

4,568,080	A *	2/1986	Yokoi	463/34
4,589,659	A *	5/1986	Yokoi et al.	463/34
5,493,427	A *	2/1996	Nomura et al.	349/5
6,292,158	B1 *	9/2001	Amafuji et al.	345/7
2002/0105483	A1 *	8/2002	Yamazaki et al.	345/7
2010/0120203	A1 *	5/2010	Okada et al.	438/113

1 Claim, 6 Drawing Sheets



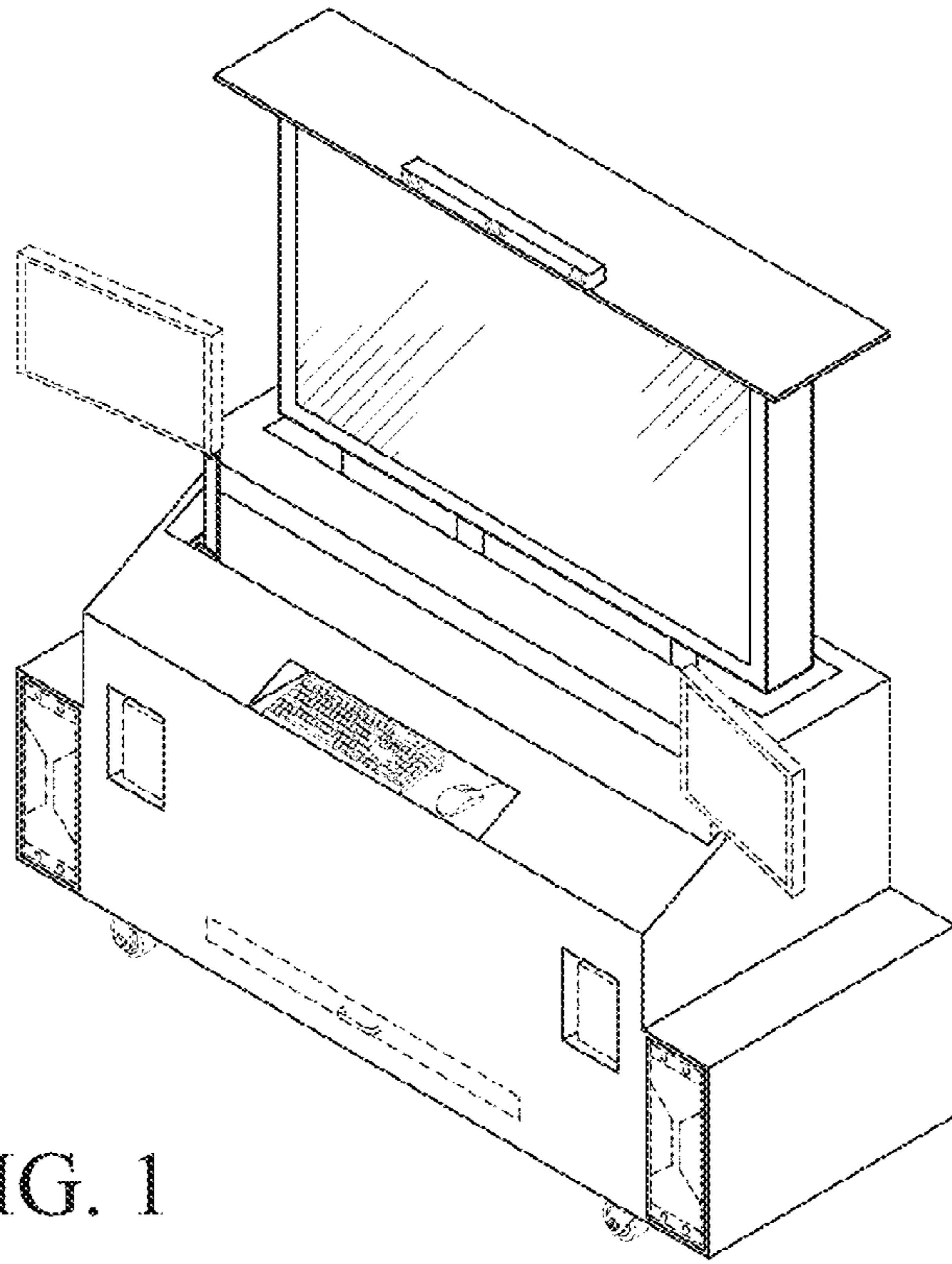


FIG. 1

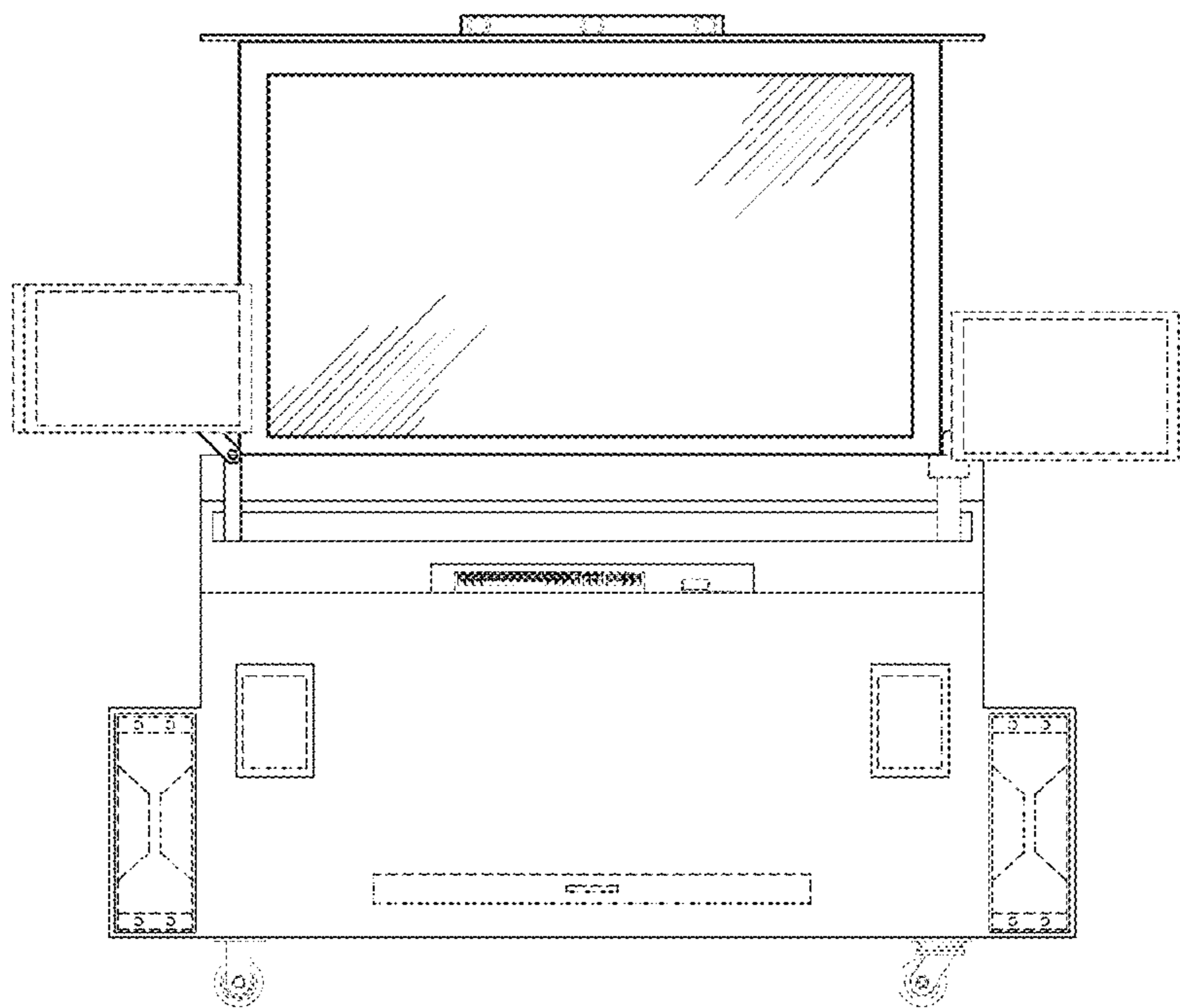


FIG. 2

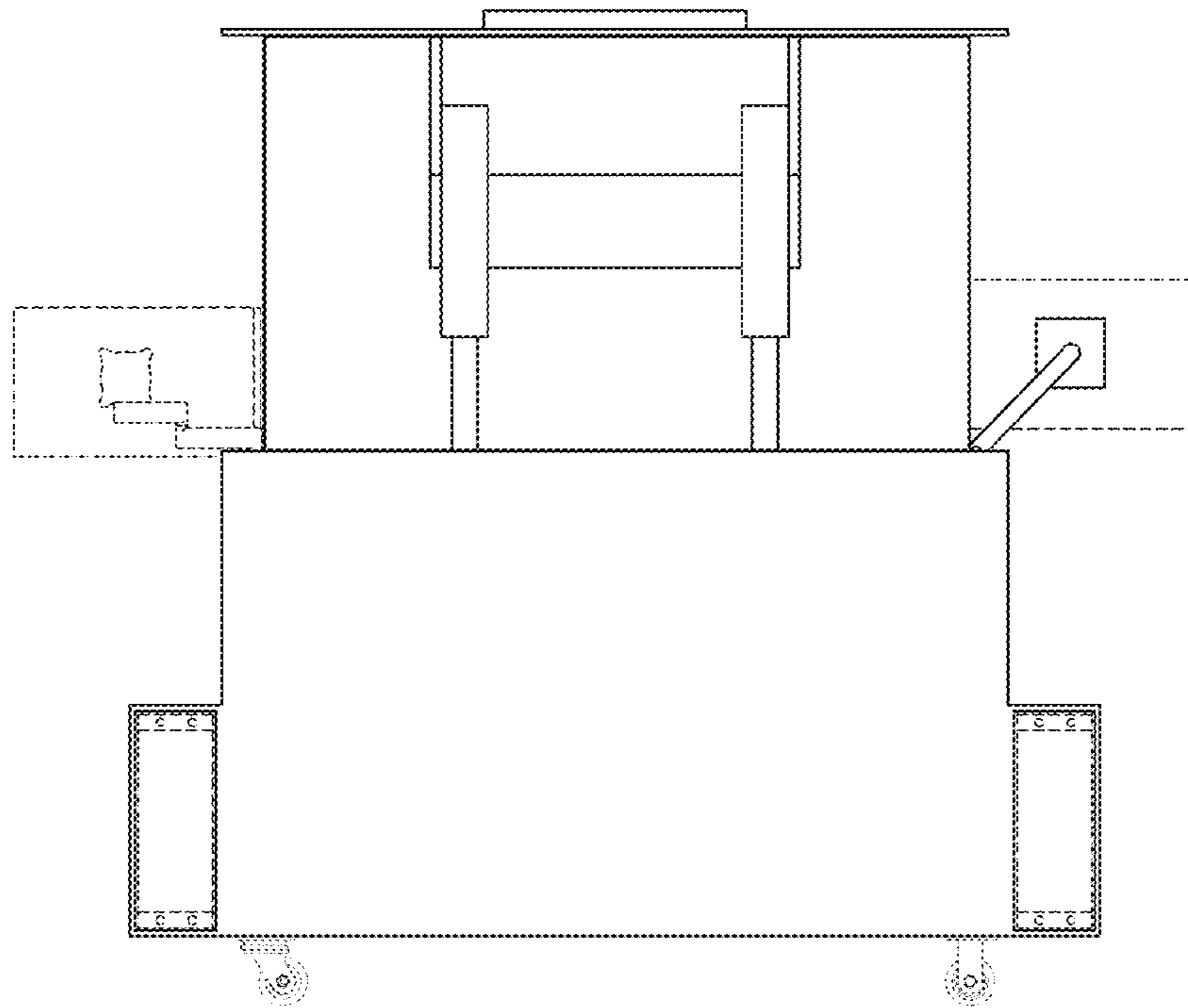


FIG. 3

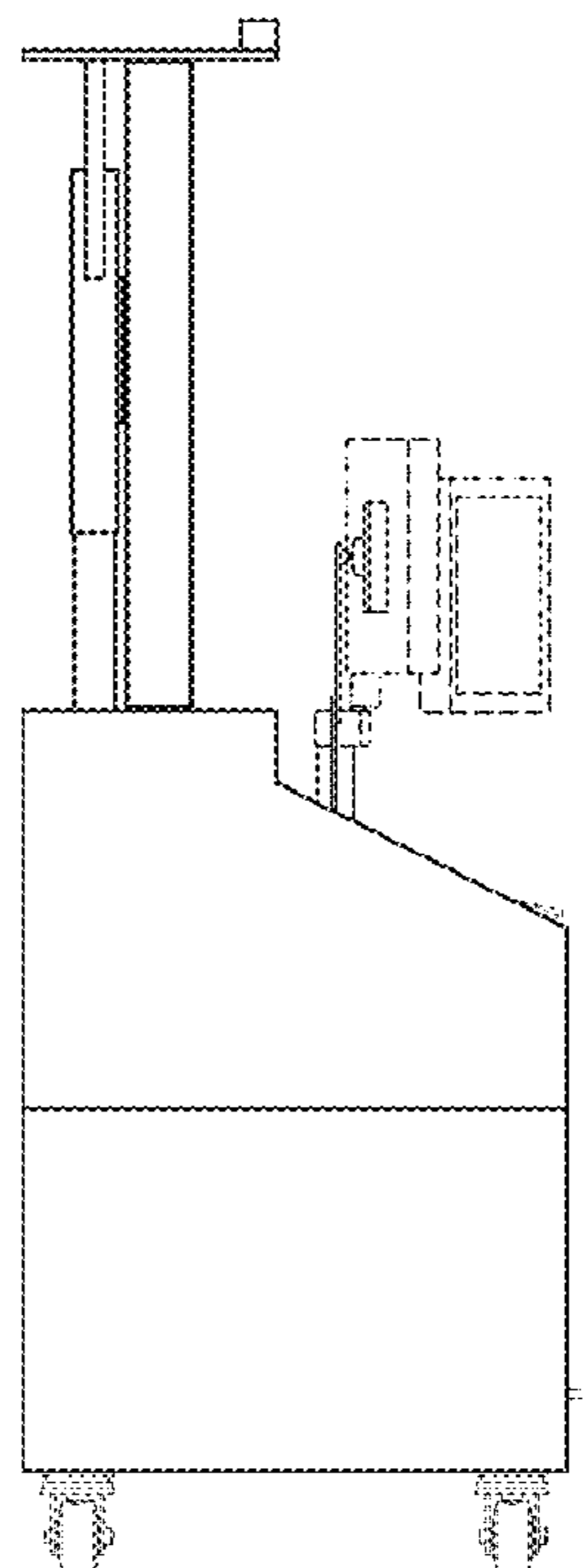


FIG. 4

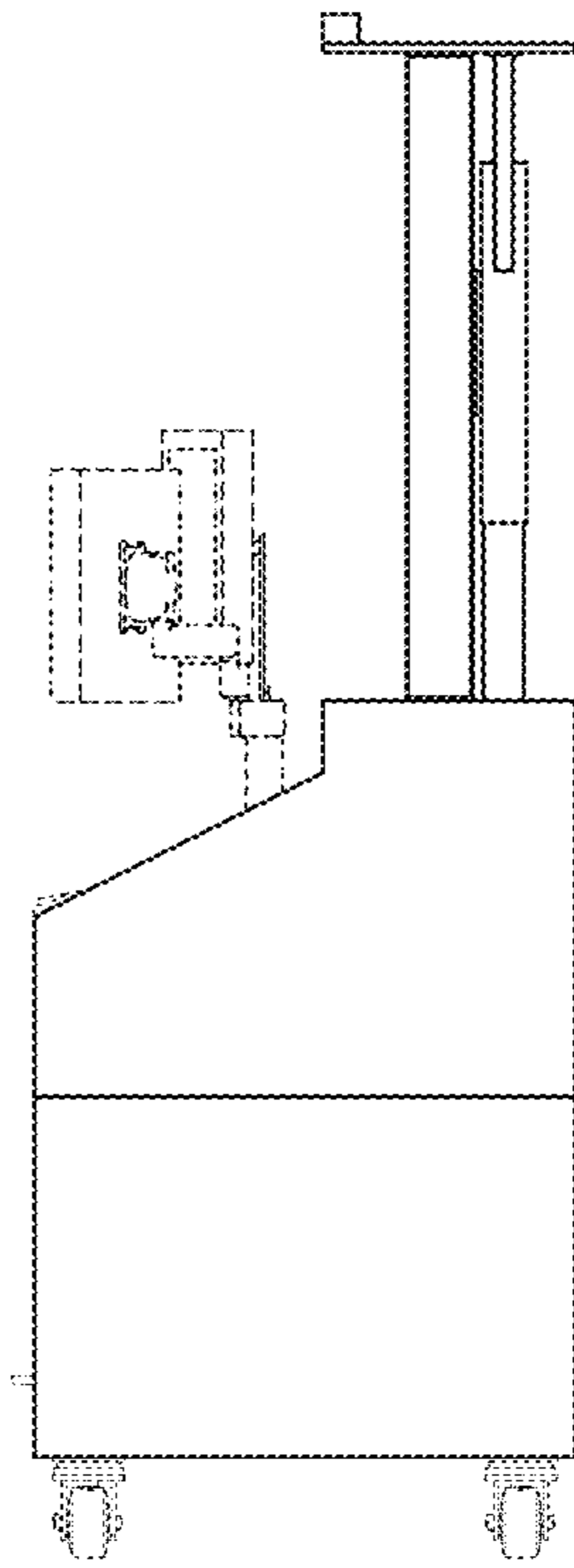


FIG. 5

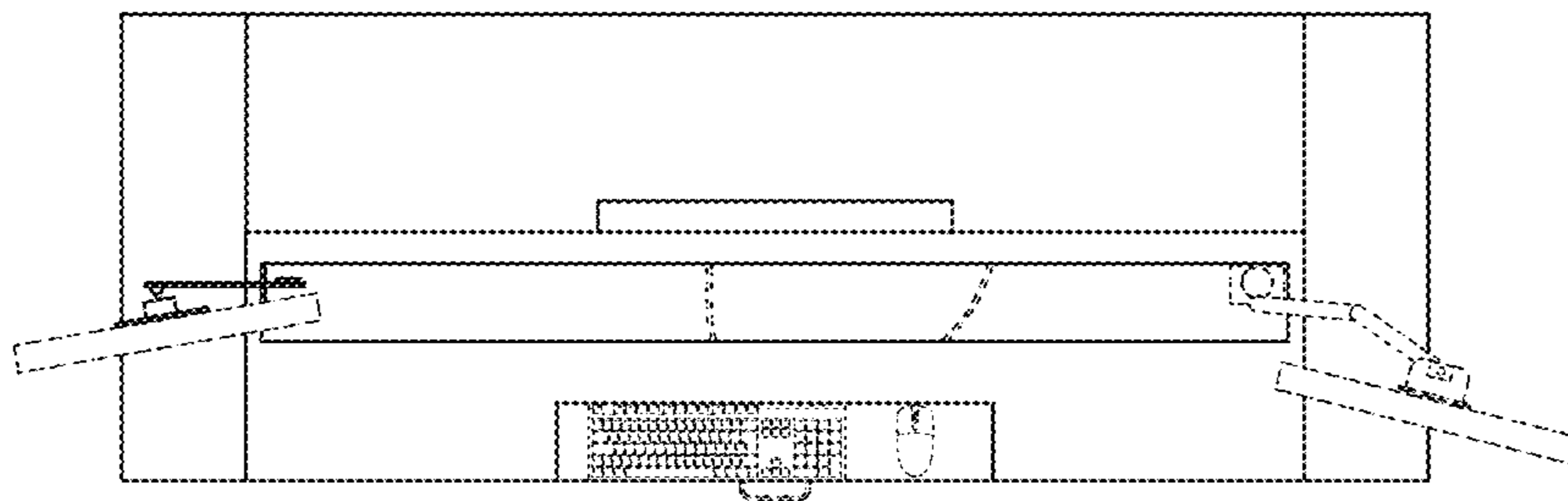


FIG. 6

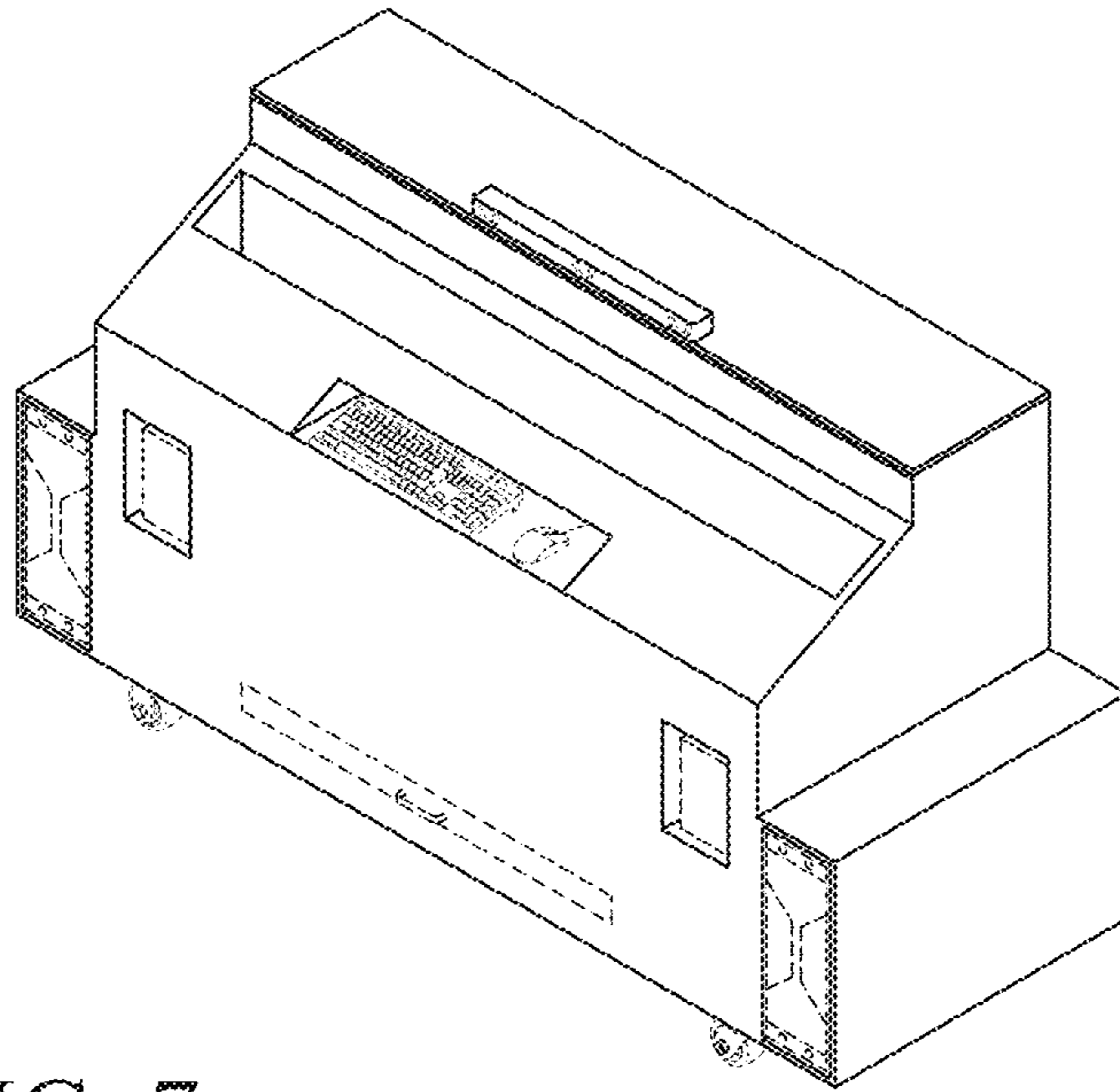


FIG. 7

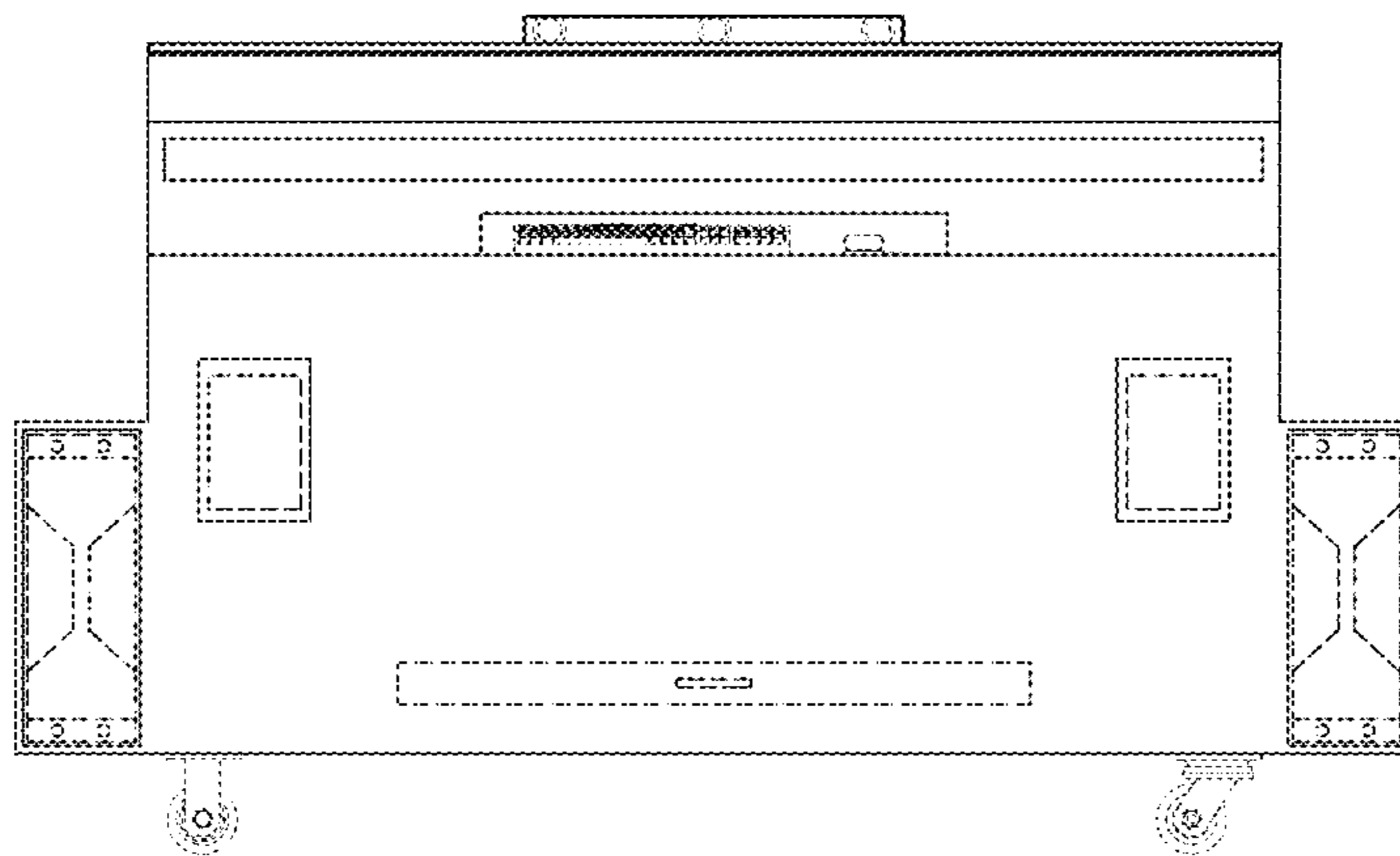


FIG. 8

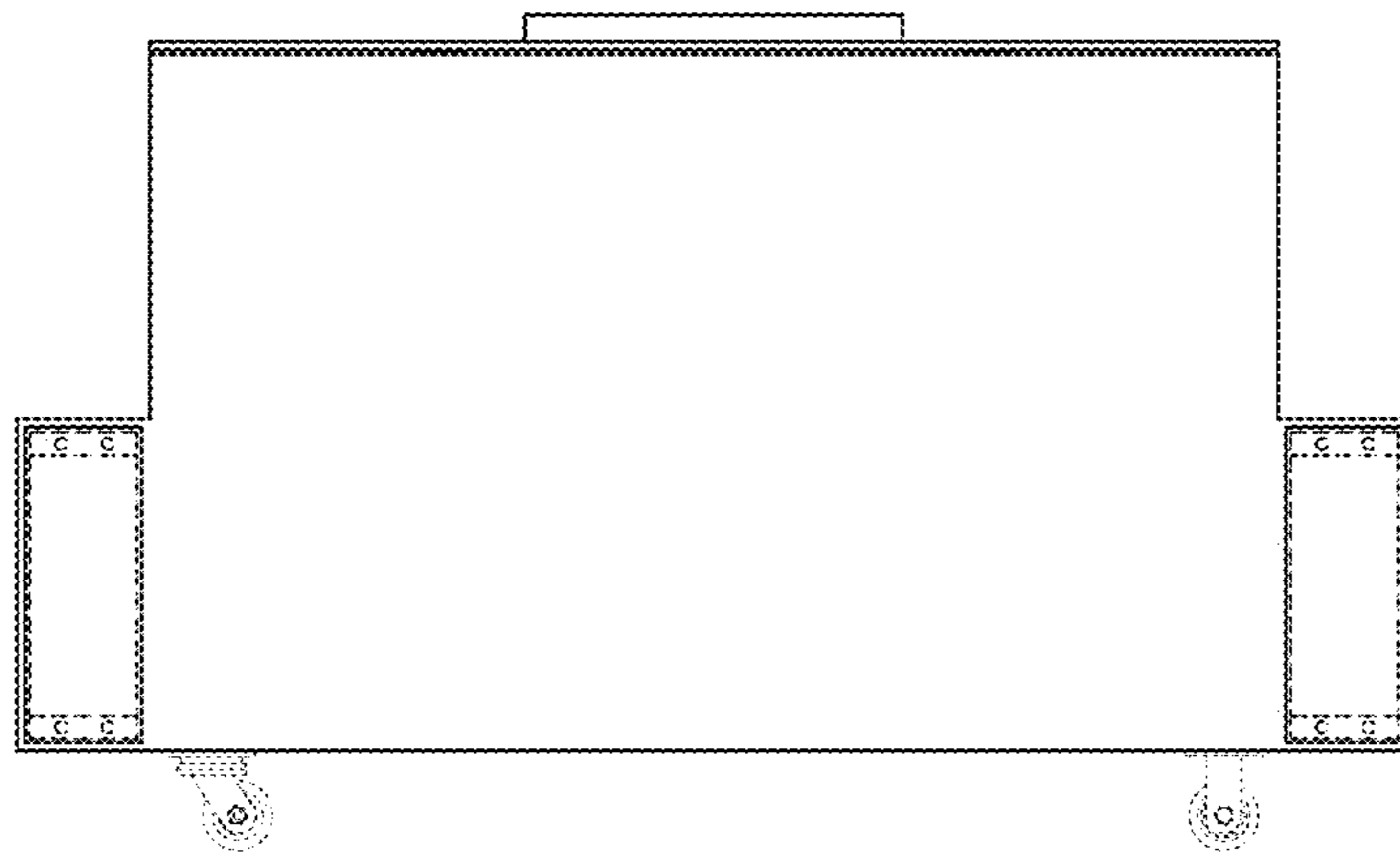


FIG. 9

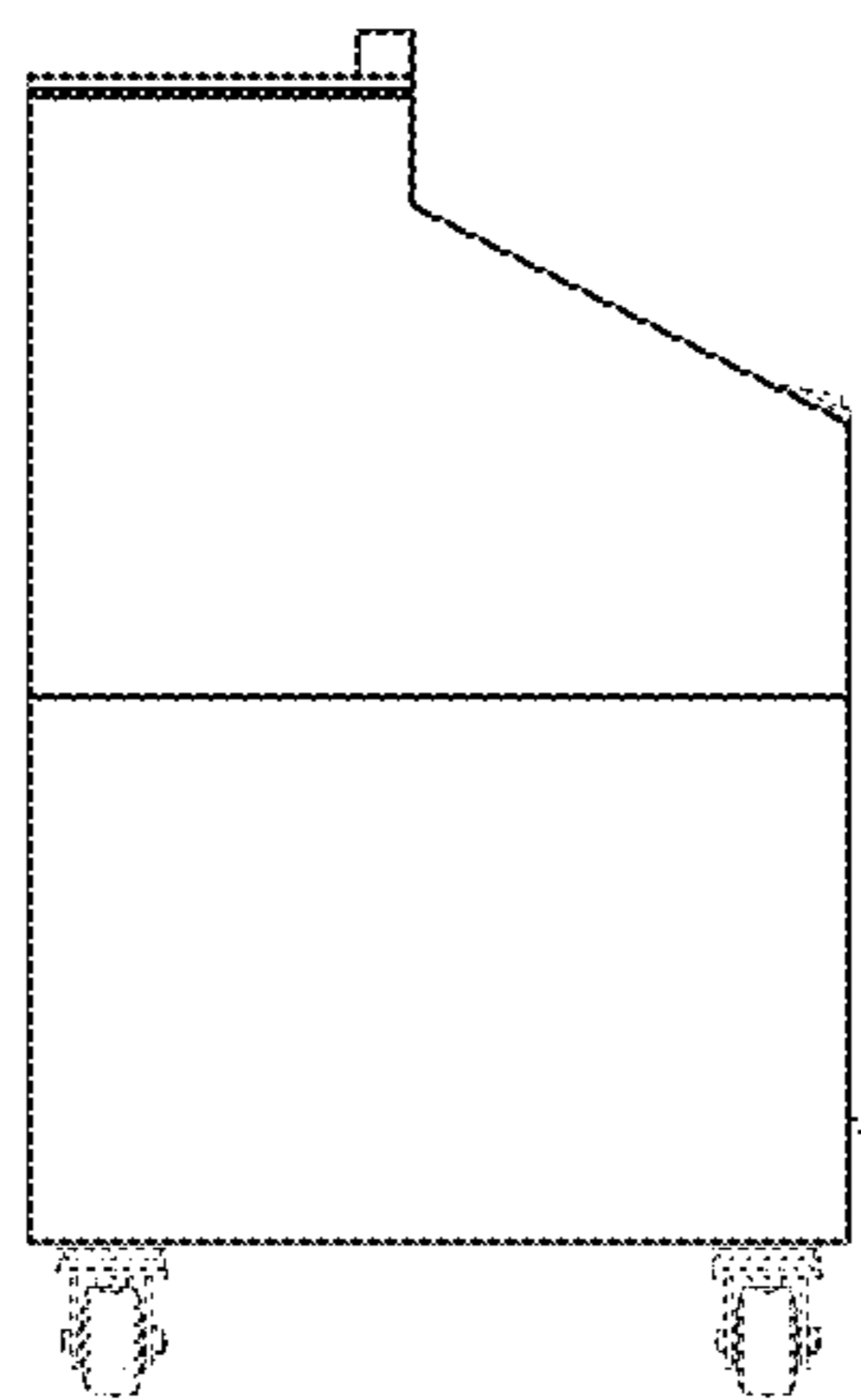


FIG. 10

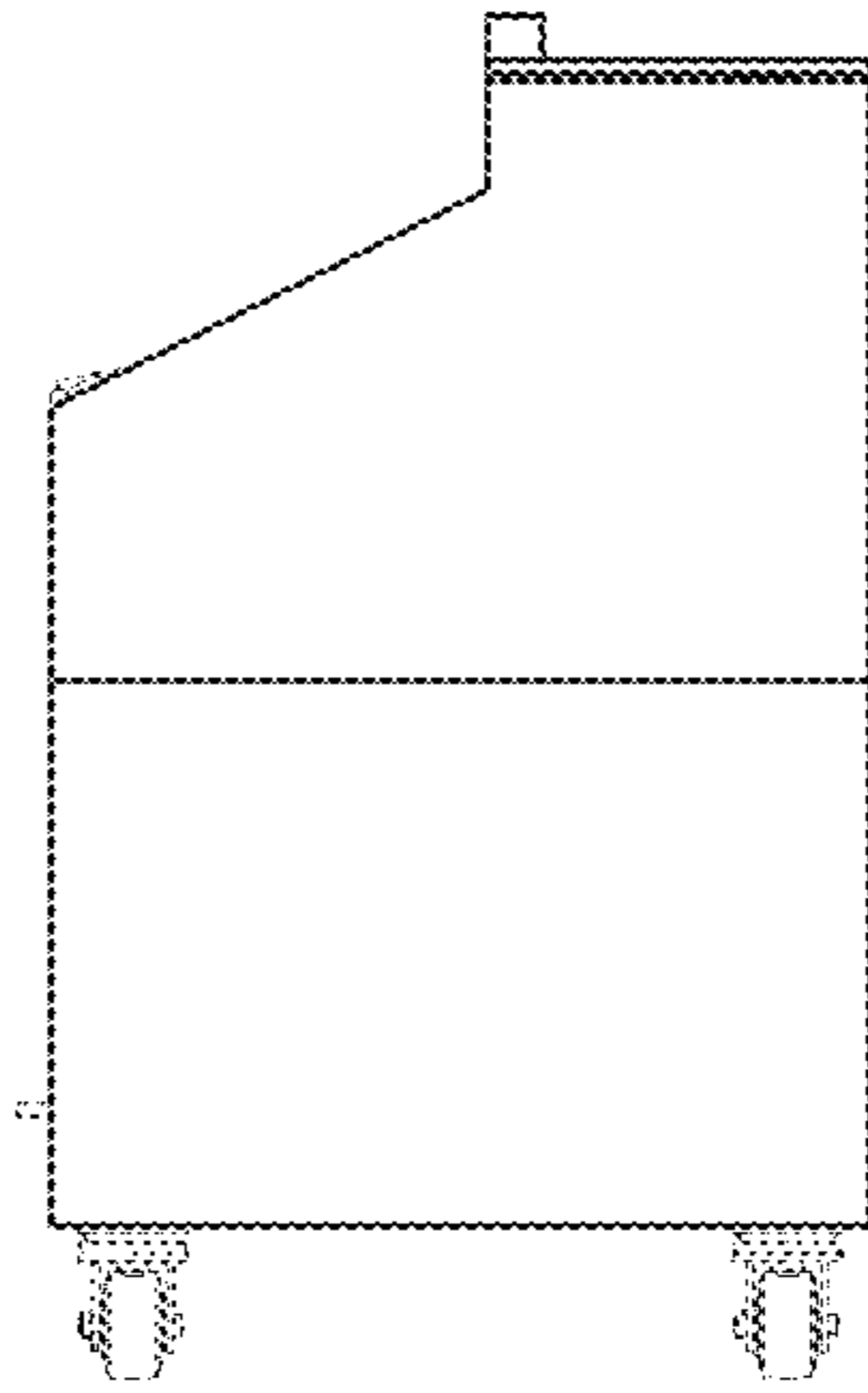


FIG. 11

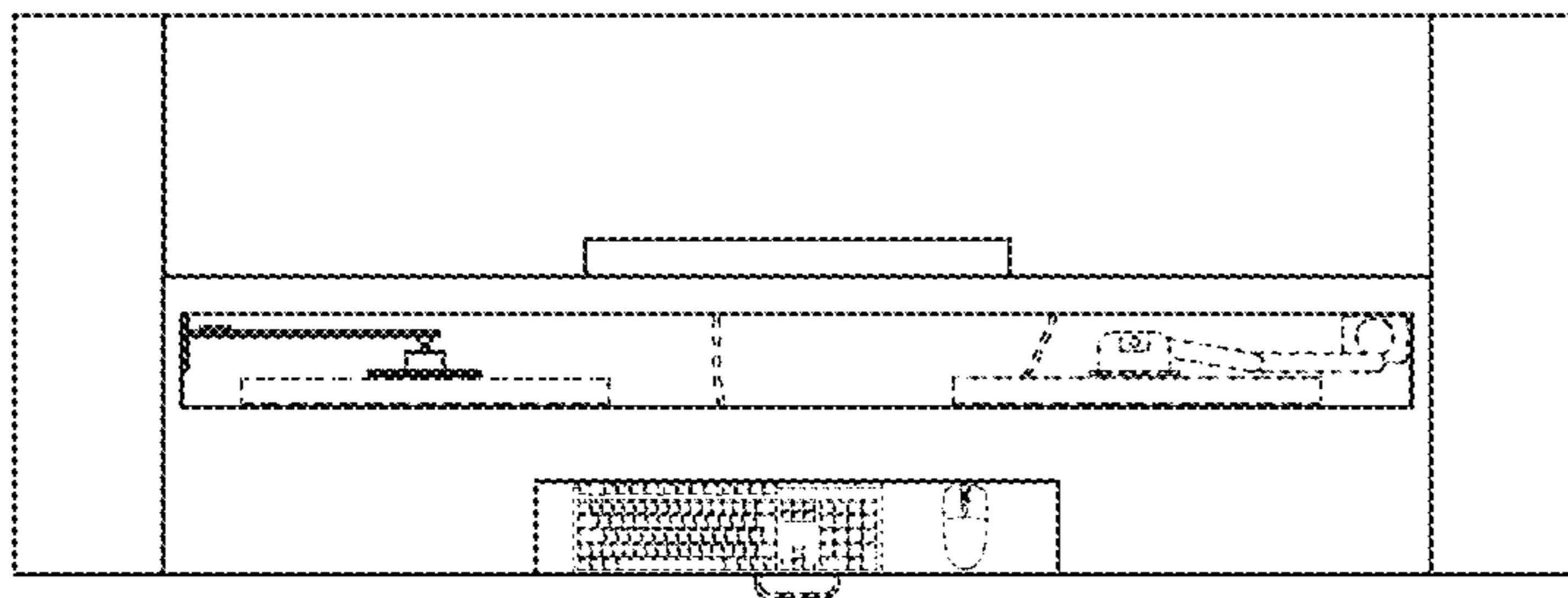


FIG. 12