



US00D729291S

(12) **United States Design Patent**
Hawa et al.

(10) **Patent No.:** **US D729,291 S**
(45) **Date of Patent:** **** May 12, 2015**

(54) **BEARING HOUSING**

(71) Applicant: **ITT Manufacturing Enterprises LLC.**,
Wilmington, DE (US)

(72) Inventors: **Jeremy A. Hawa**, Liverpool, NY (US);
Christopher W. Graser, Marion, NY
(US); **Christopher A. Porter**, Rochester,
NY (US); **Deborah A. Laun**, Syracuse,
NY (US); **Robert L. Naas**, Skaneateles,
NY (US); **Howard S. Ryan**,
Skaneateles, NY (US); **Douglas M.**
Russell, Syracuse, NY (US)

(73) Assignee: **ITT Manufacturing Enterprises LLC.**,
Wilmington, DE (US)

(**) Term: **14 Years**

(21) Appl. No.: **29/489,727**

(22) Filed: **May 2, 2014**

(51) **LOC (10) Cl.** **15-09**

(52) **U.S. Cl.**
USPC **D15/123**

(58) **Field of Classification Search**
USPC D15/123
See application file for complete search history.

(56) **References Cited**

U.S. PATENT DOCUMENTS

3,873,167	A *	3/1975	Anderson	384/495
D269,786	S *	7/1983	Ostling	D15/143
D297,942	S *	10/1988	Somarakis	D15/143
D343,179	S *	1/1994	Waskiewicz	D15/143
D367,069	S *	2/1996	Thom et al.	D15/143
D376,160	S *	12/1996	Waskiewicz	D15/143
D427,217	S *	6/2000	Ostling	D15/143
D446,230	S *	8/2001	Olsson	D15/143
D549,250	S	8/2007	Salomaa et al.		
D549,251	S	8/2007	Salomaa et al.		
D549,252	S	8/2007	Salomaa et al.		

D549,253 S 8/2007 Salomaa et al.
D549,254 S 8/2007 Salomaa et al.
D549,751 S 8/2007 Salomaa et al.

(Continued)

Primary Examiner — Patricia Palasik

(57) **CLAIM**

The ornamental design for a bearing housing, as shown and described.

DESCRIPTION

FIG. 1 is a top front perspective view of a bearing housing according to a first embodiment of the present invention; FIG. 2 is a bottom front perspective view of the bearing housing shown in FIG. 1;

FIG. 3 is a front view of the bearing housing shown in FIG. 1; FIG. 4 is a back view of the bearing housing shown in FIG. 1; FIG. 5 is a top view of the bearing housing shown in FIG. 1; FIG. 6 is a bottom view of the bearing housing shown in FIG. 1;

FIG. 7 is a side view of the bearing housing shown in FIG. 1; and

FIG. 8 is a corresponding side view of the bearing housing shown in FIG. 1.

FIG. 9 is a top front perspective view of the bearing housing with a cover plate attached thereto, according to a second embodiment of the present invention;

FIG. 10 is a bottom front perspective view of the bearing housing shown in FIG. 9;

FIG. 11 is a front view of the bearing housing shown in FIG. 9;

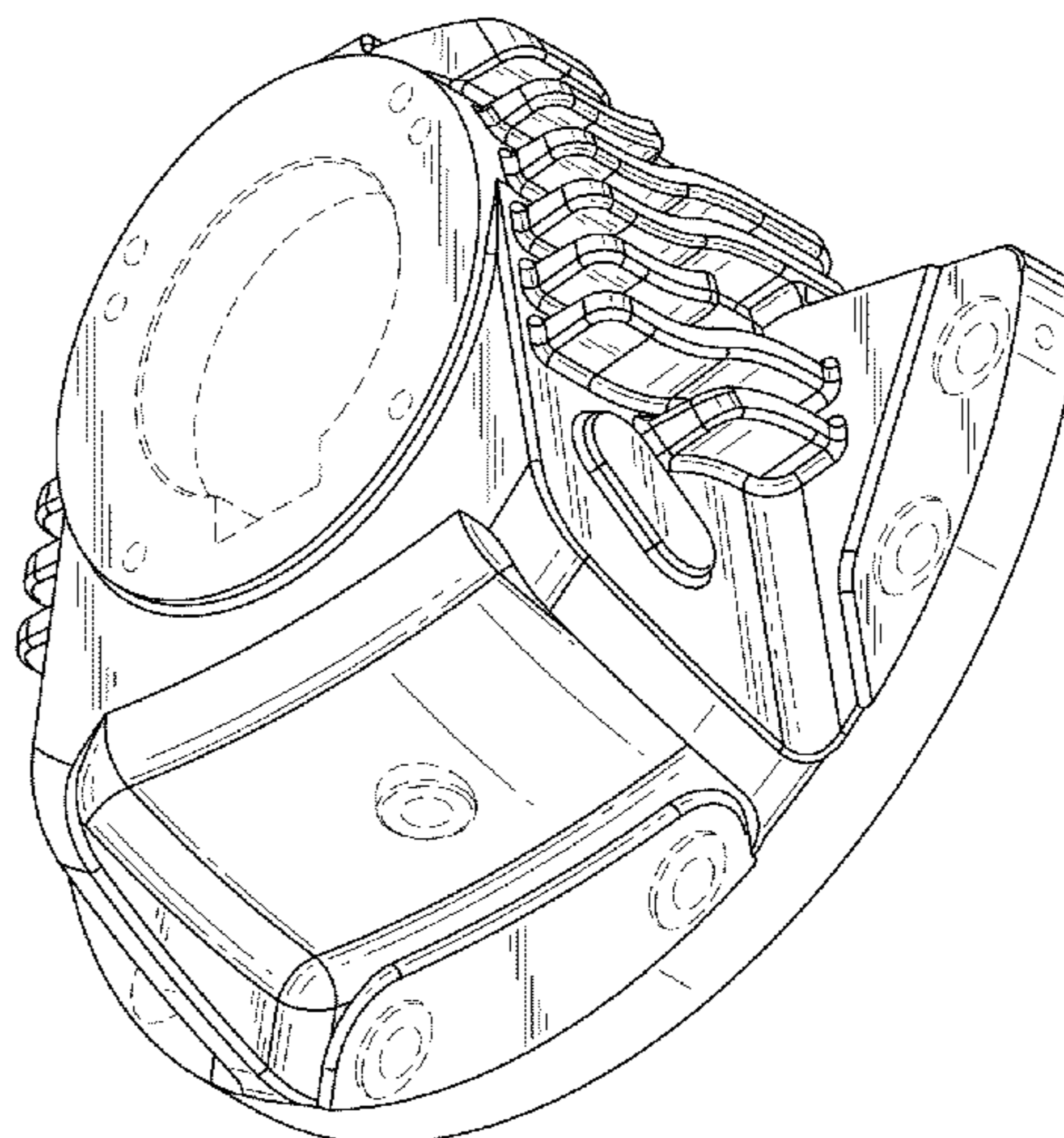
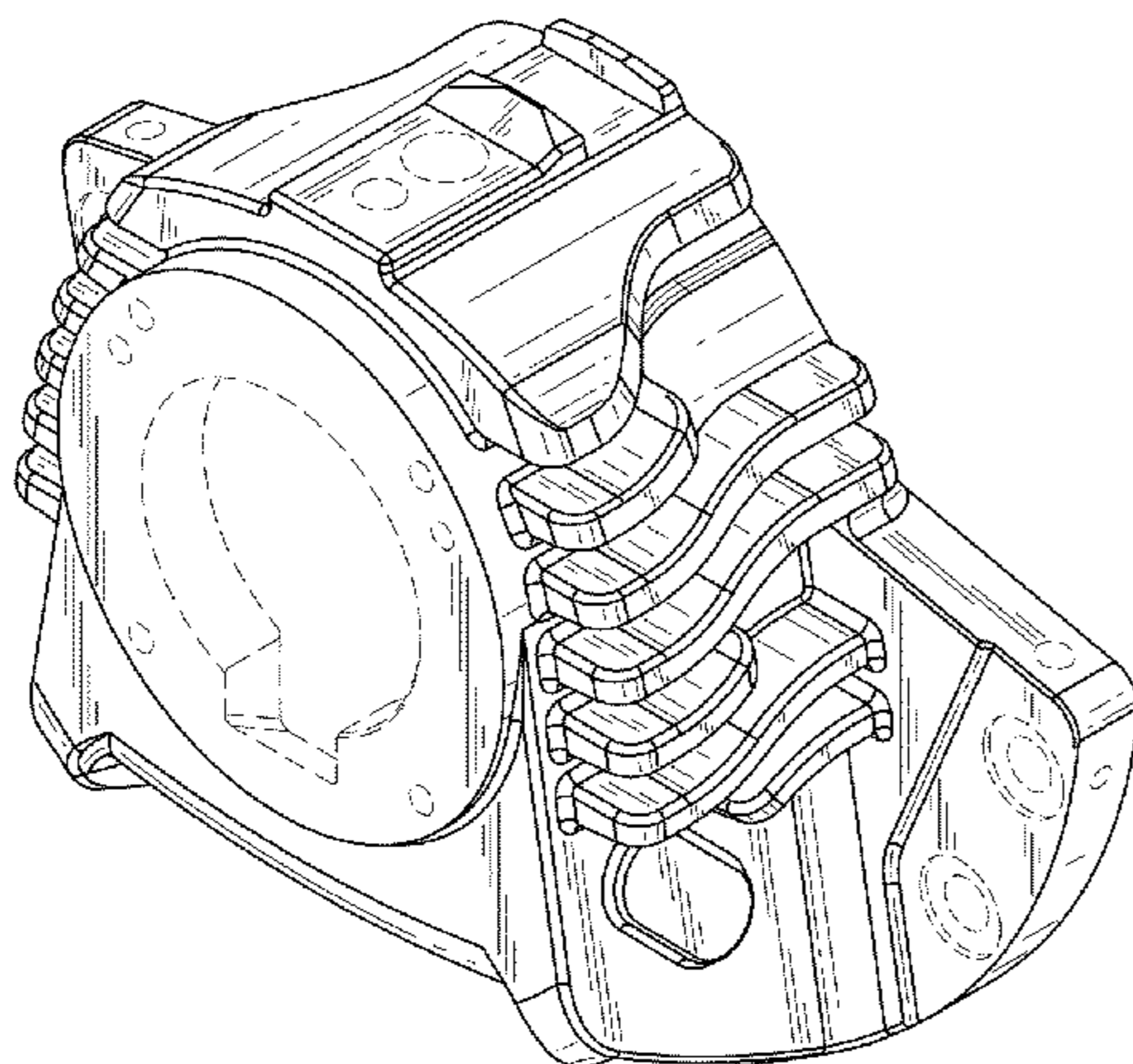
FIG. 12 is a top view from the bearing housing in FIG. 9;

FIG. 13 is a bottom view of the bearing housing shown in FIG. 9;

FIG. 14 is a side view of the bearing housing shown in FIG. 9; and,

FIG. 15 is a corresponding side view of the bearing housing shown in FIG. 9.

1 Claim, 6 Drawing Sheets



(56)

References Cited

U.S. PATENT DOCUMENTS

D562,849 S 2/2008 Buitenhuis et al.
D573,159 S 7/2008 Etter
D573,618 S 7/2008 Peck et al.
D583,396 S 12/2008 Playford et al.

D583,841 S 12/2008 Playford et al.
D585,921 S 2/2009 Peck et al.
D616,004 S * 5/2010 Andersson et al. D15/143
2003/0063826 A1 4/2003 Cevasco et al.
2004/0096134 A1* 5/2004 Ward 384/624

* cited by examiner

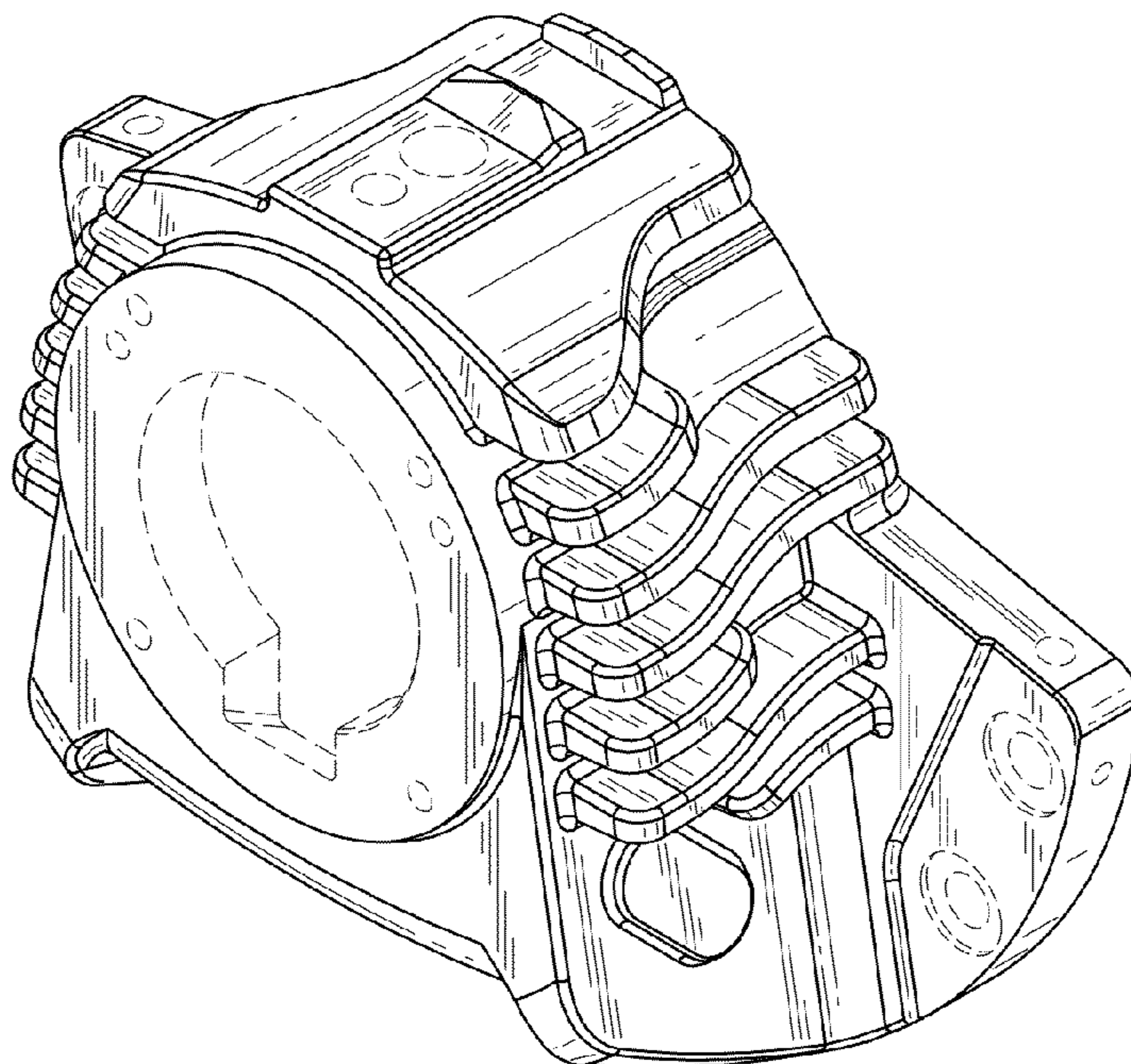


FIG. 1

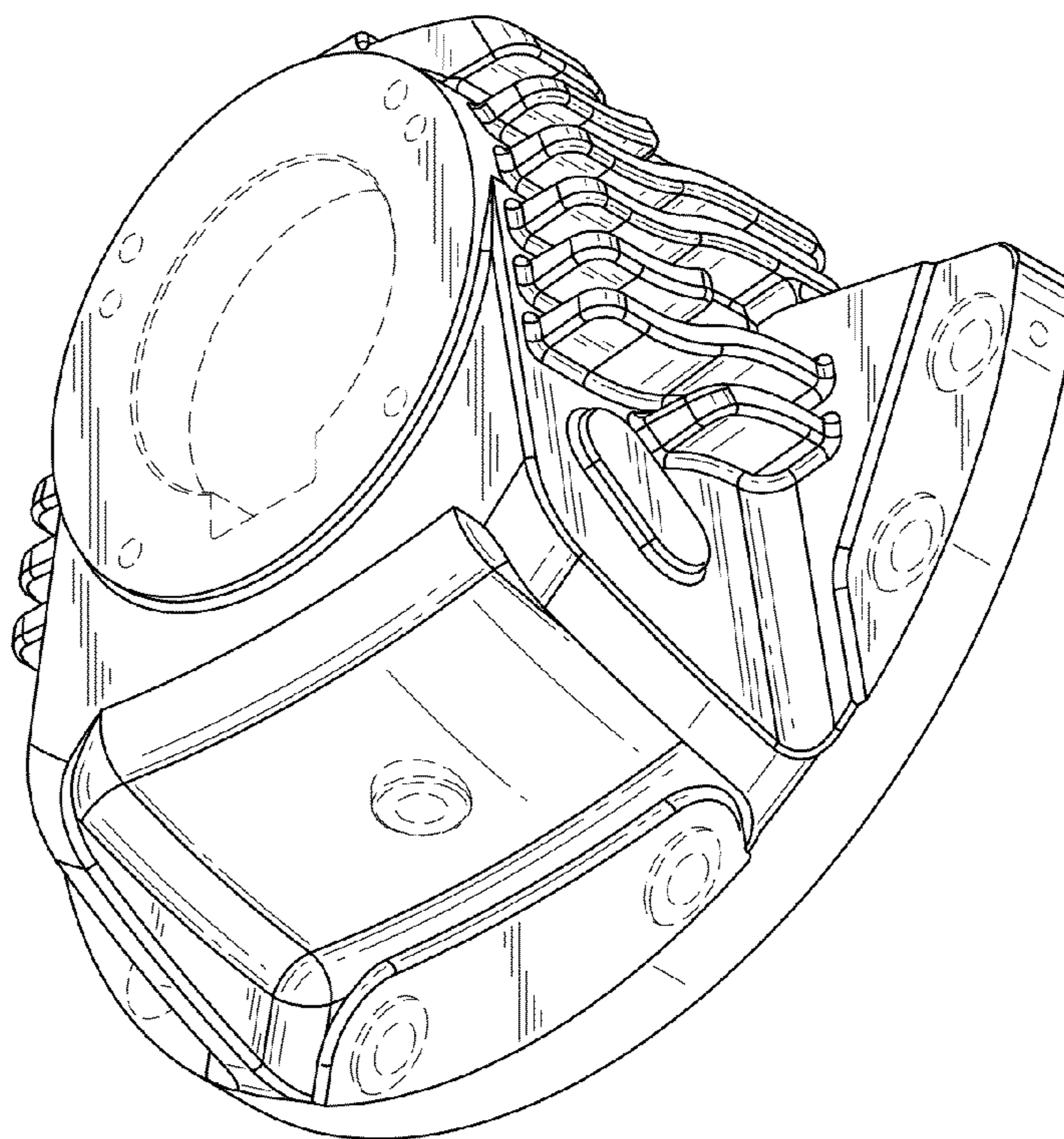


FIG. 2

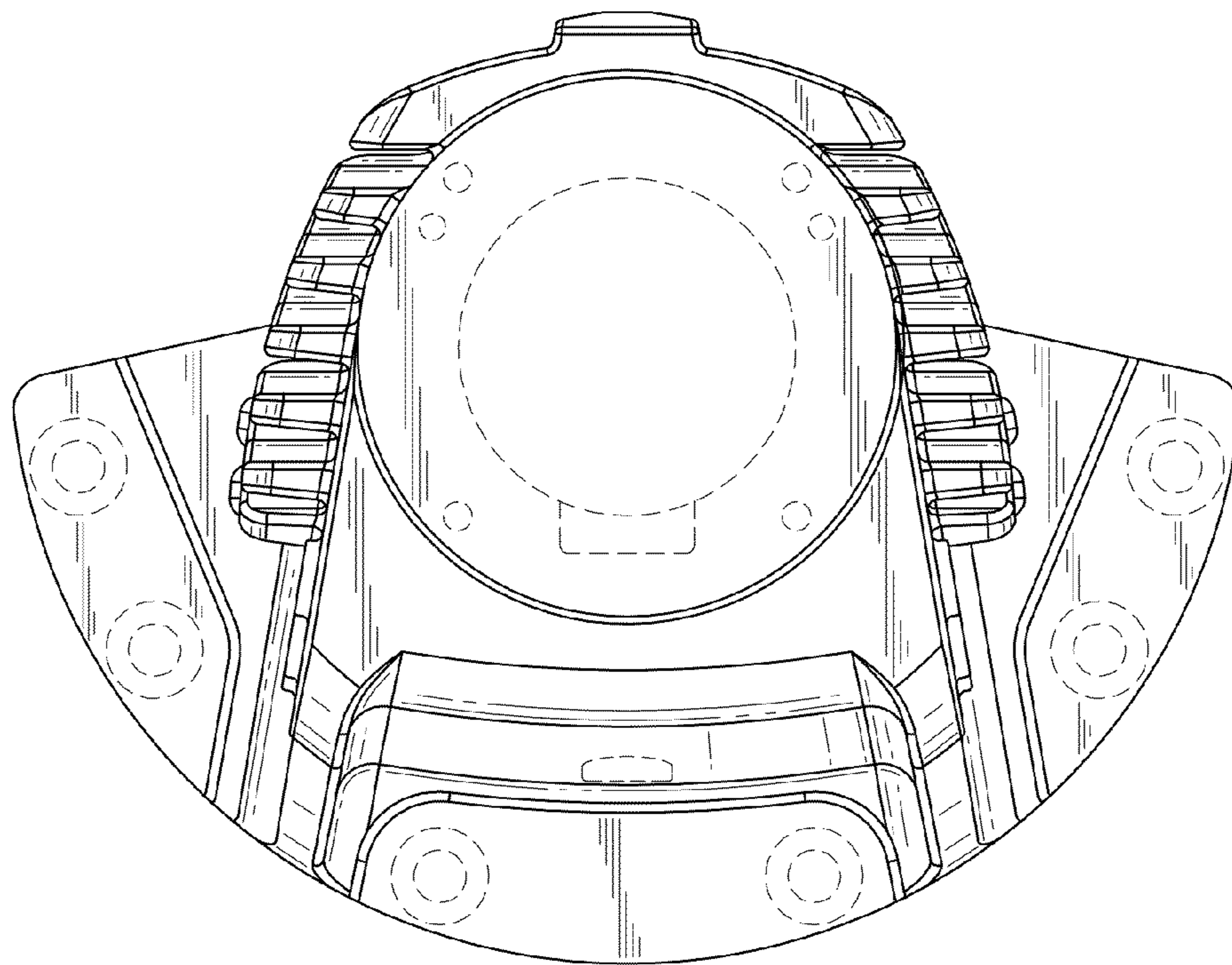


FIG. 3

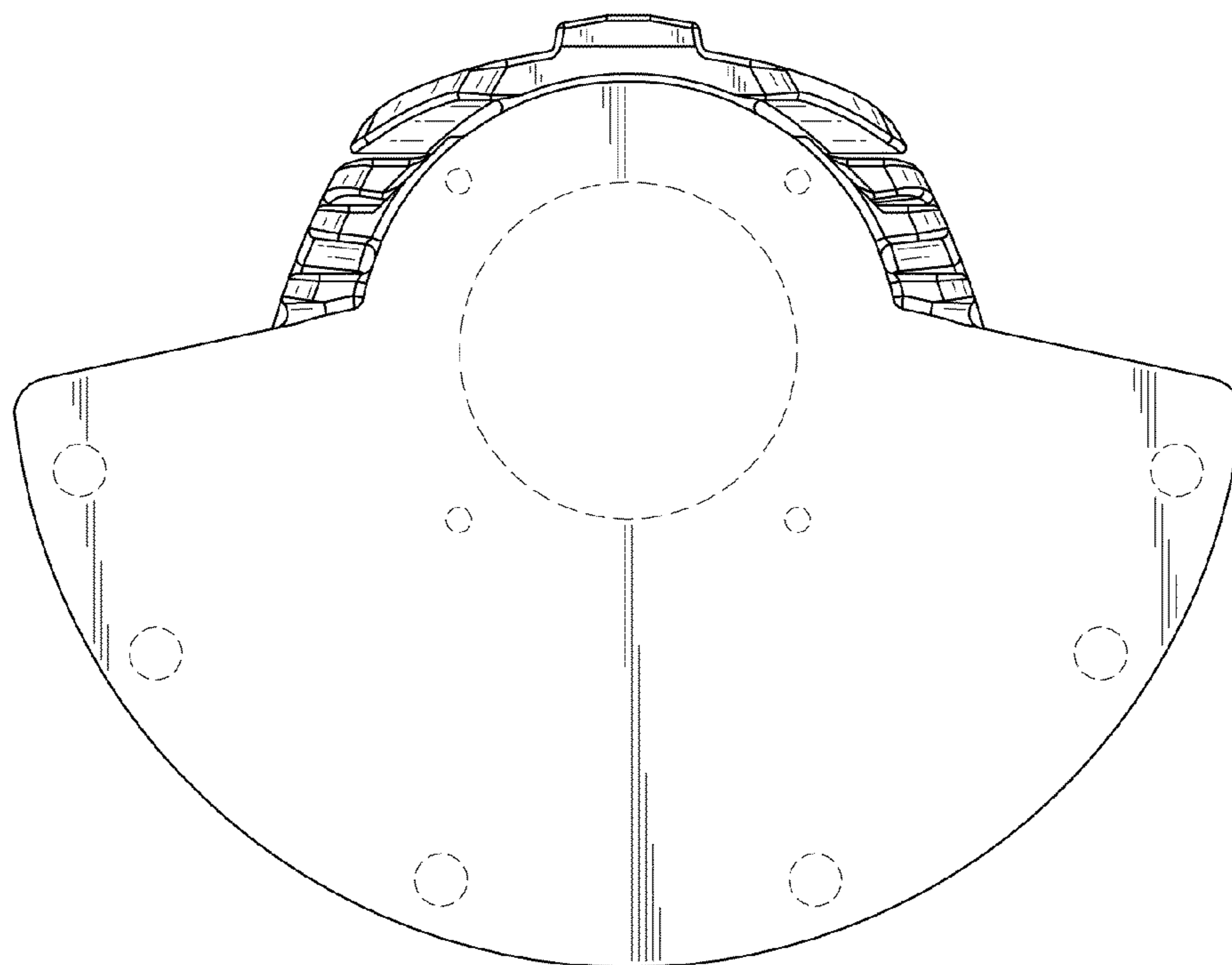


FIG. 4

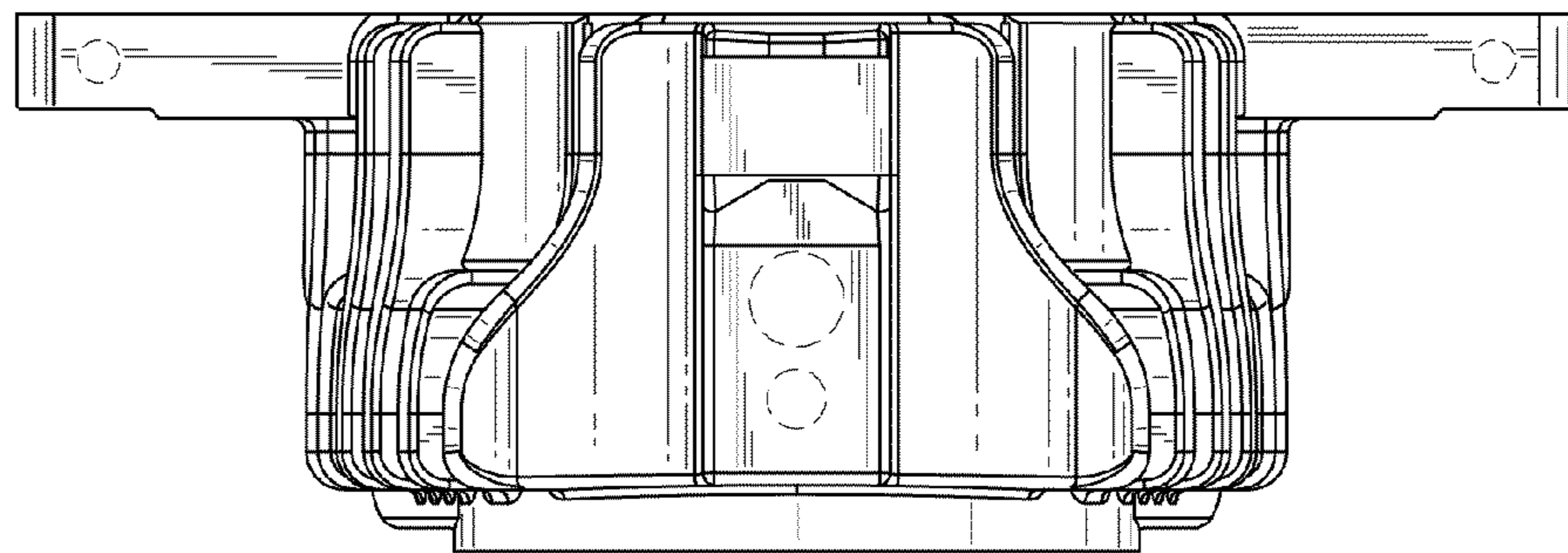


FIG. 5

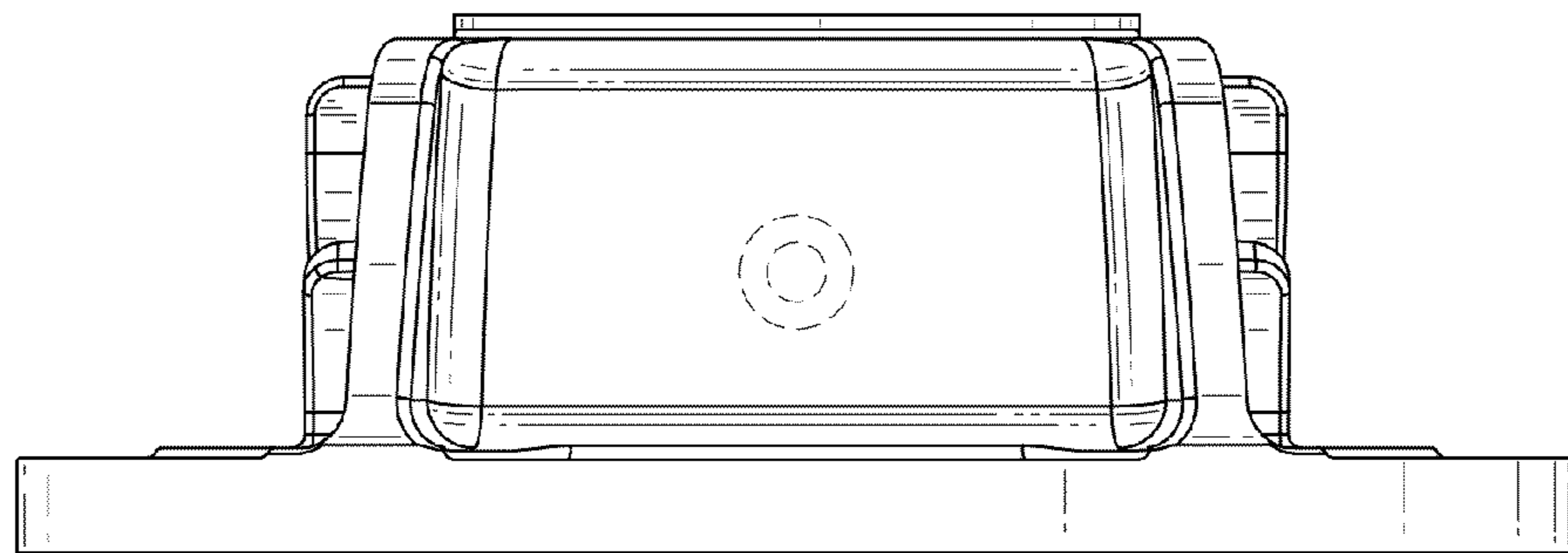


FIG. 6

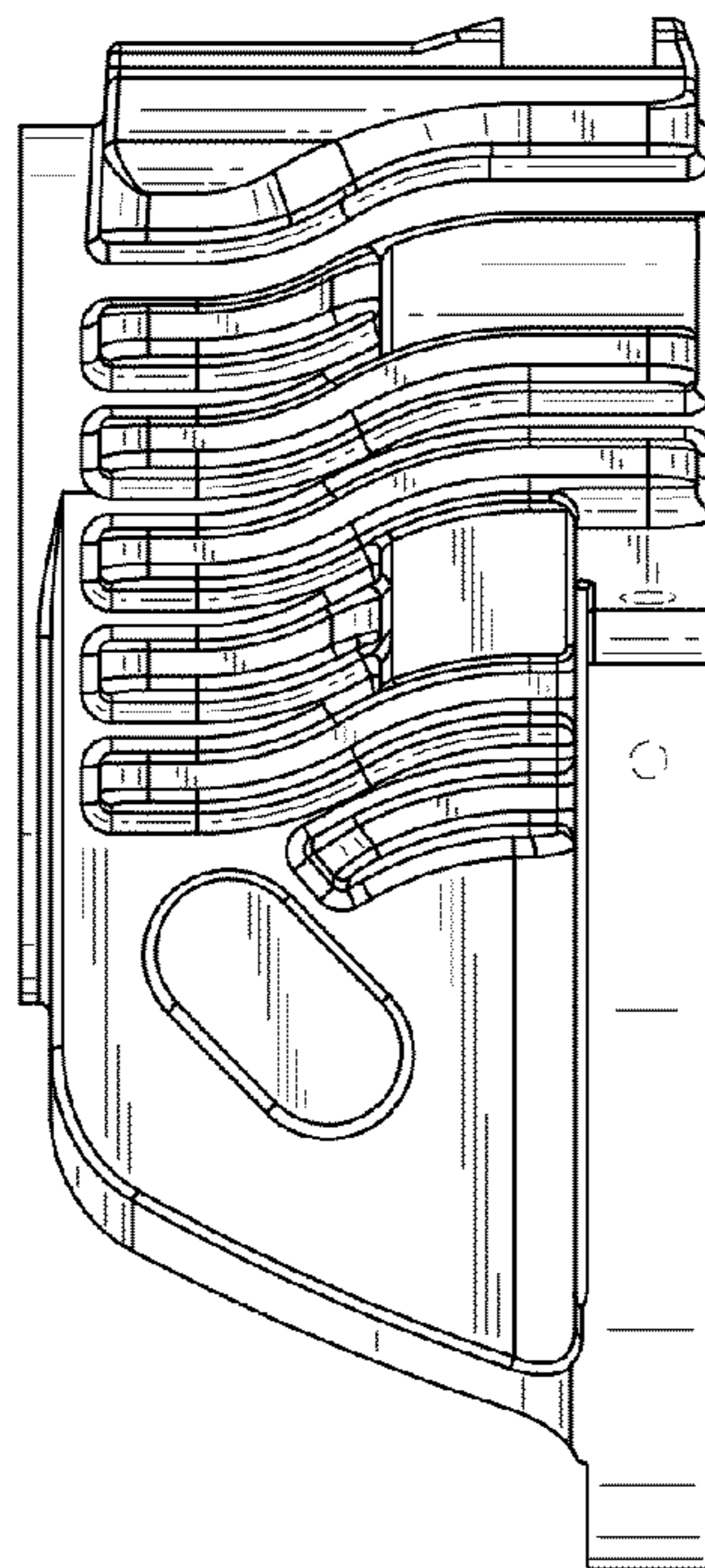


FIG. 7

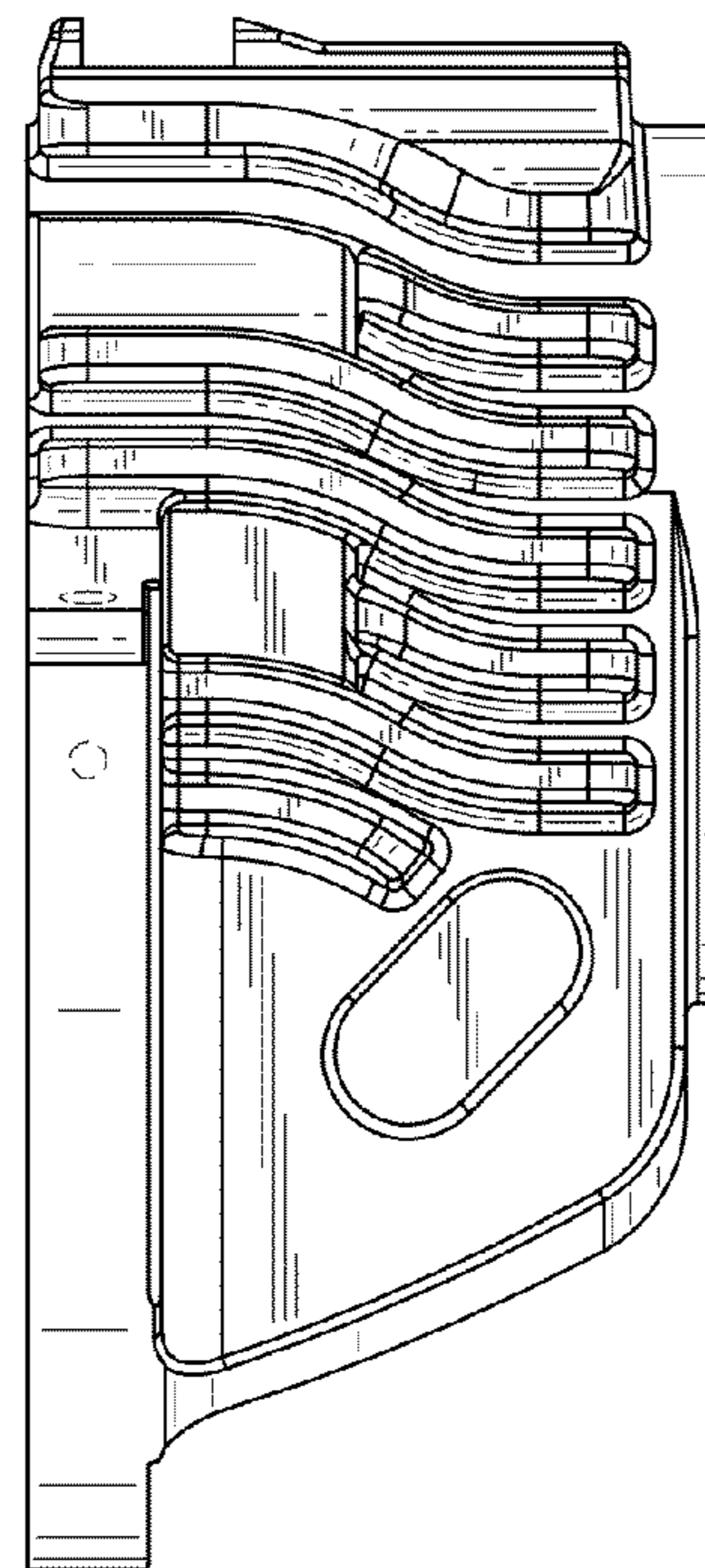


FIG. 8

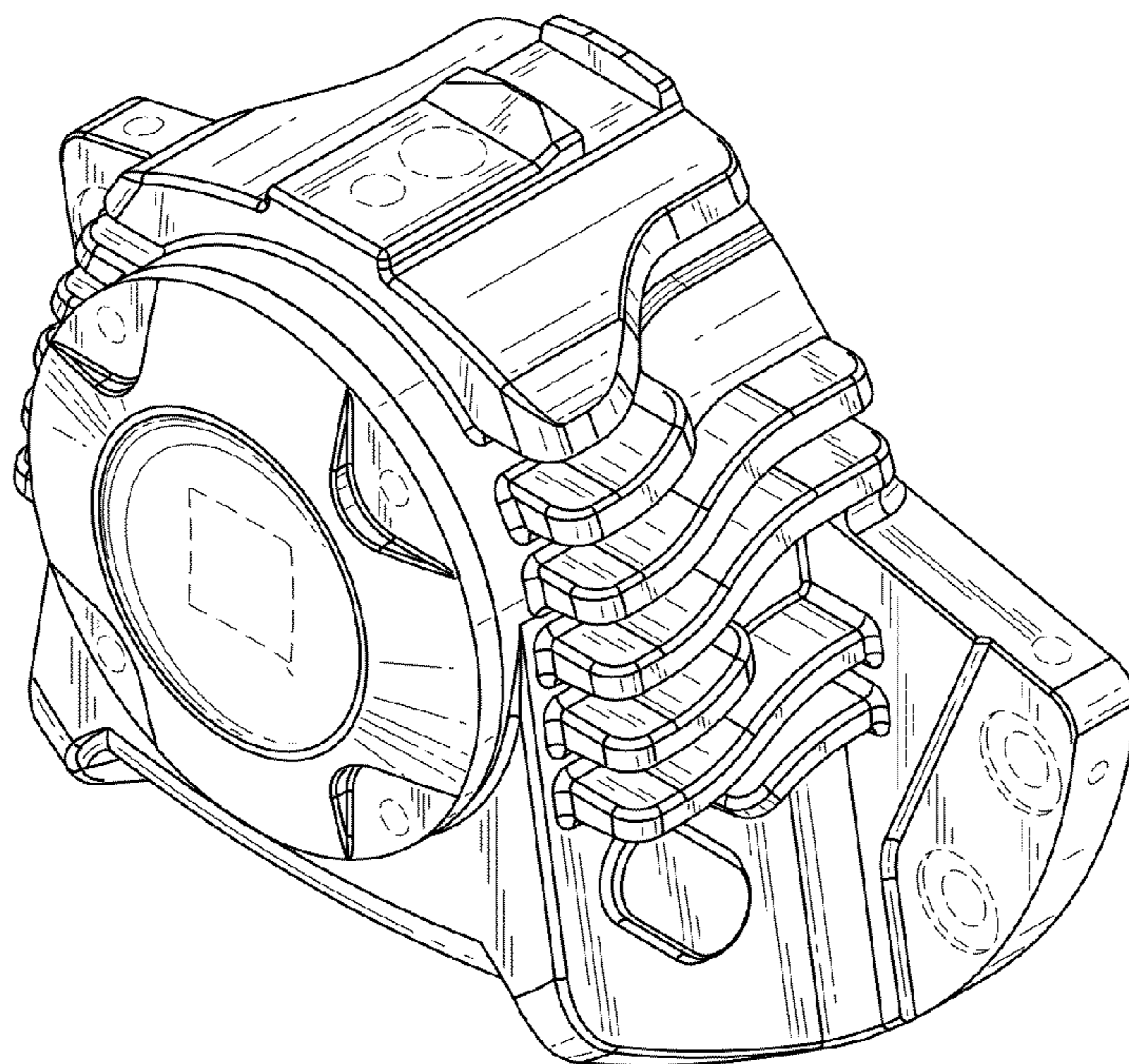


FIG. 9

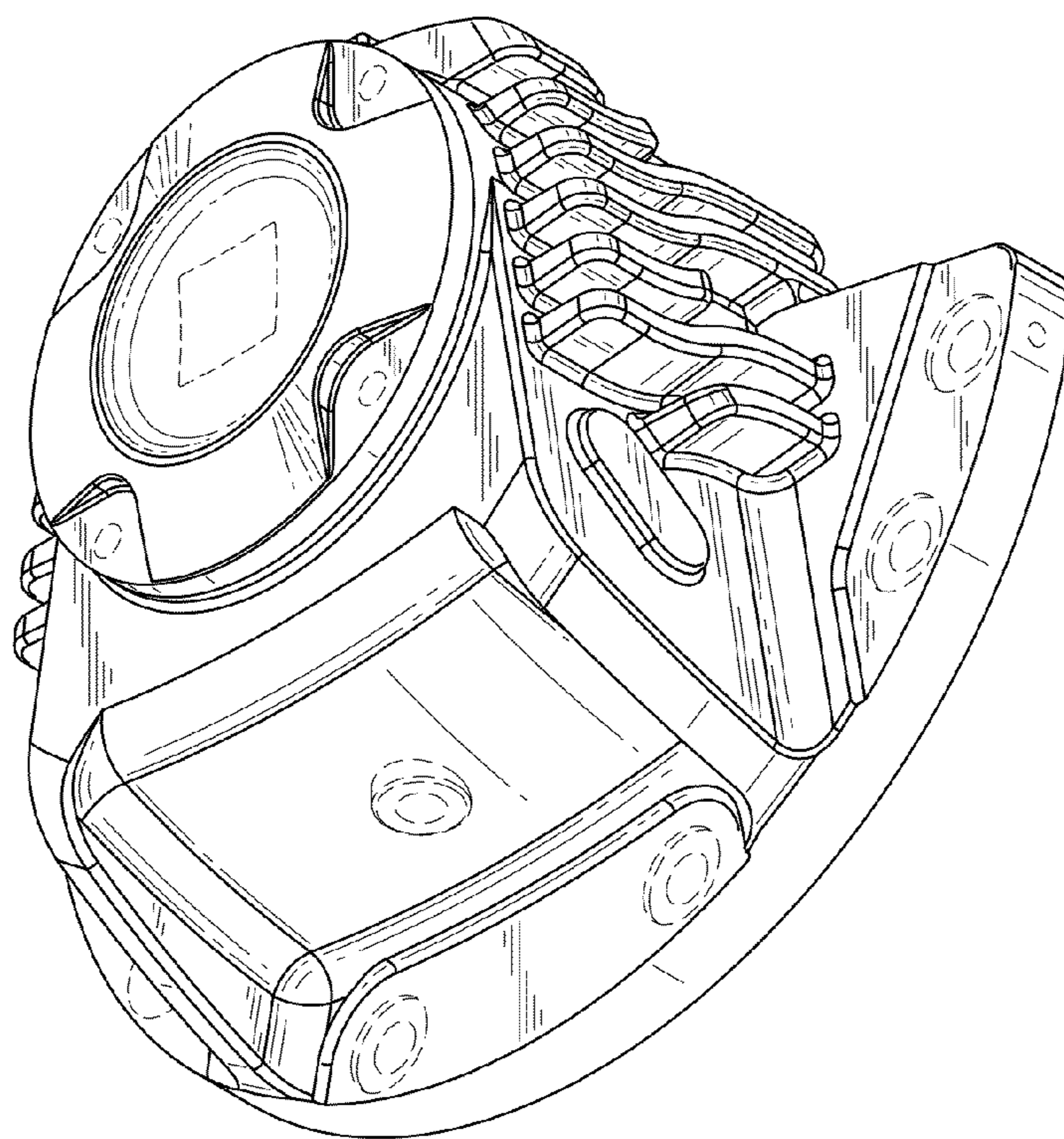


FIG. 10

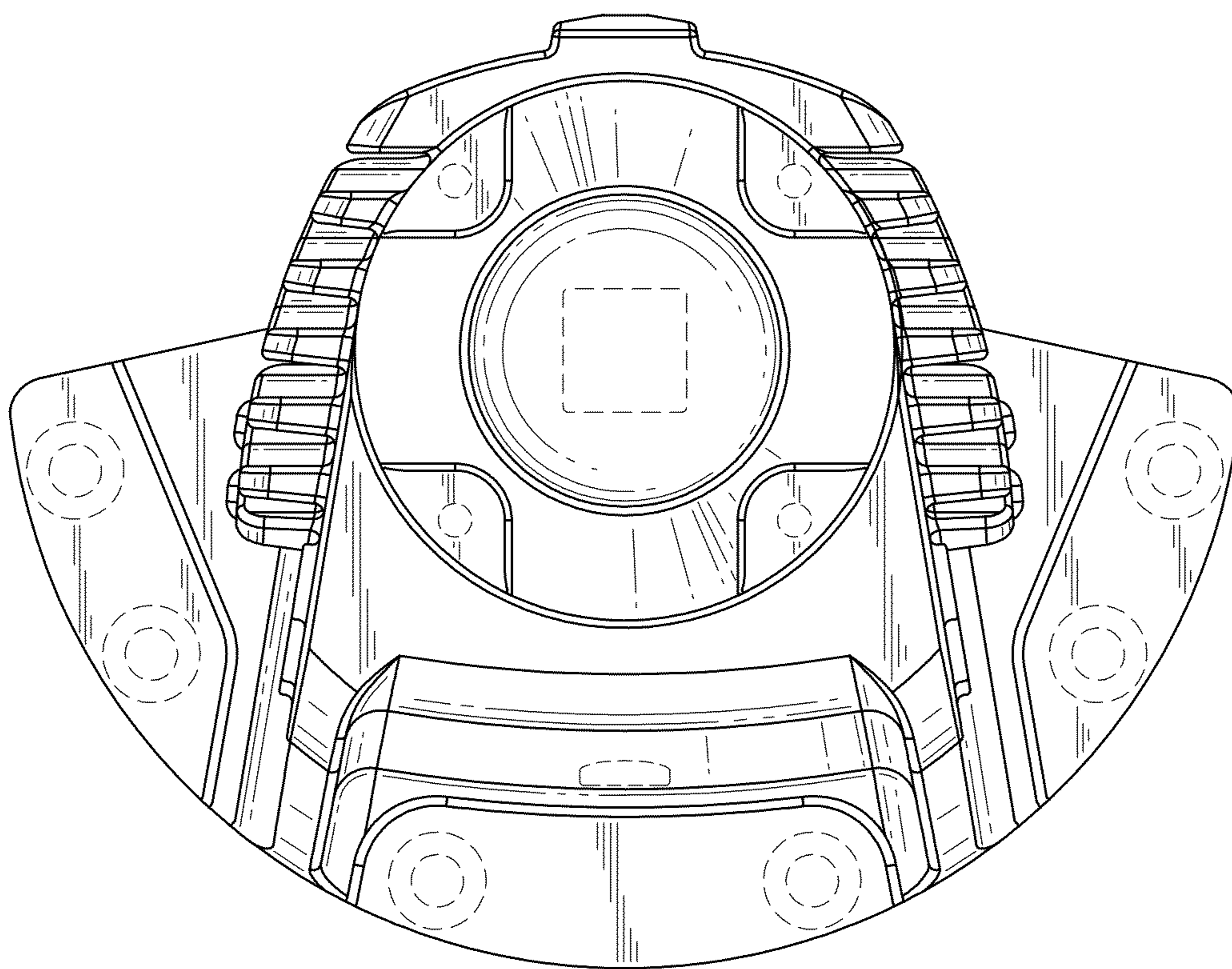


FIG. 11

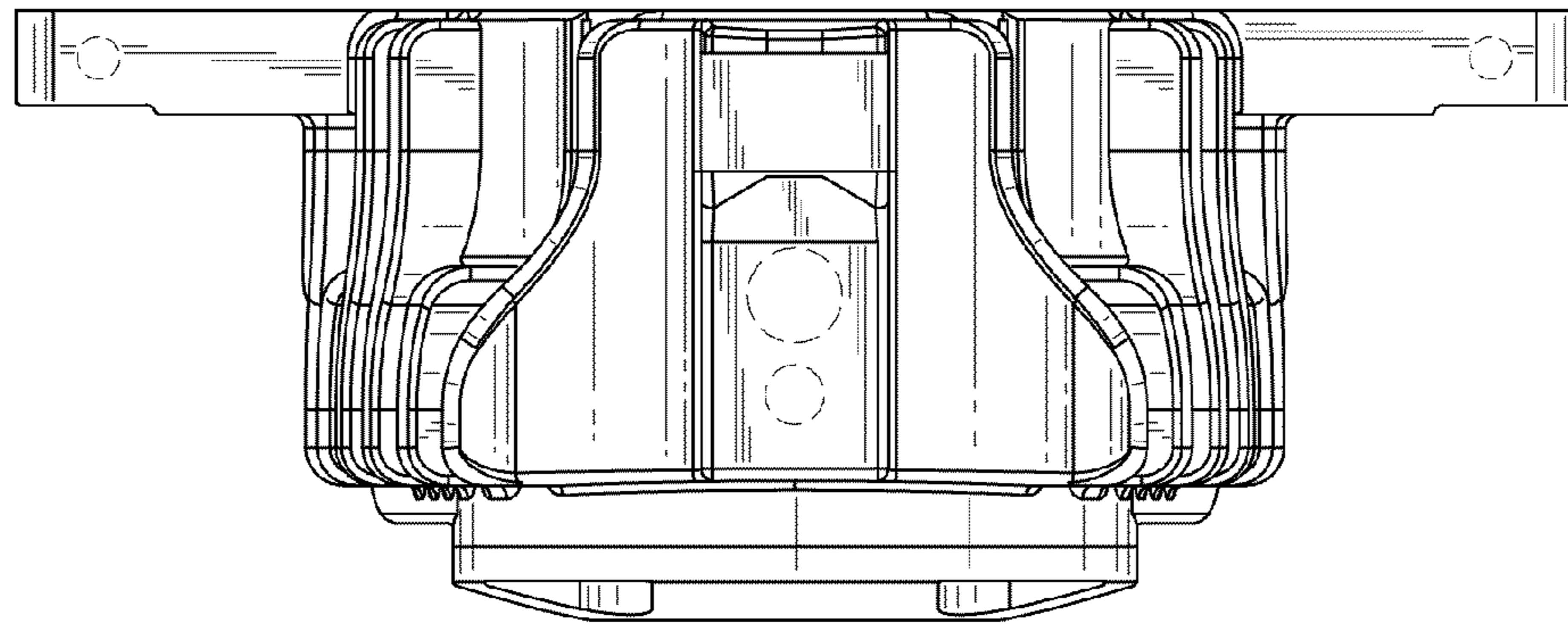


FIG. 12

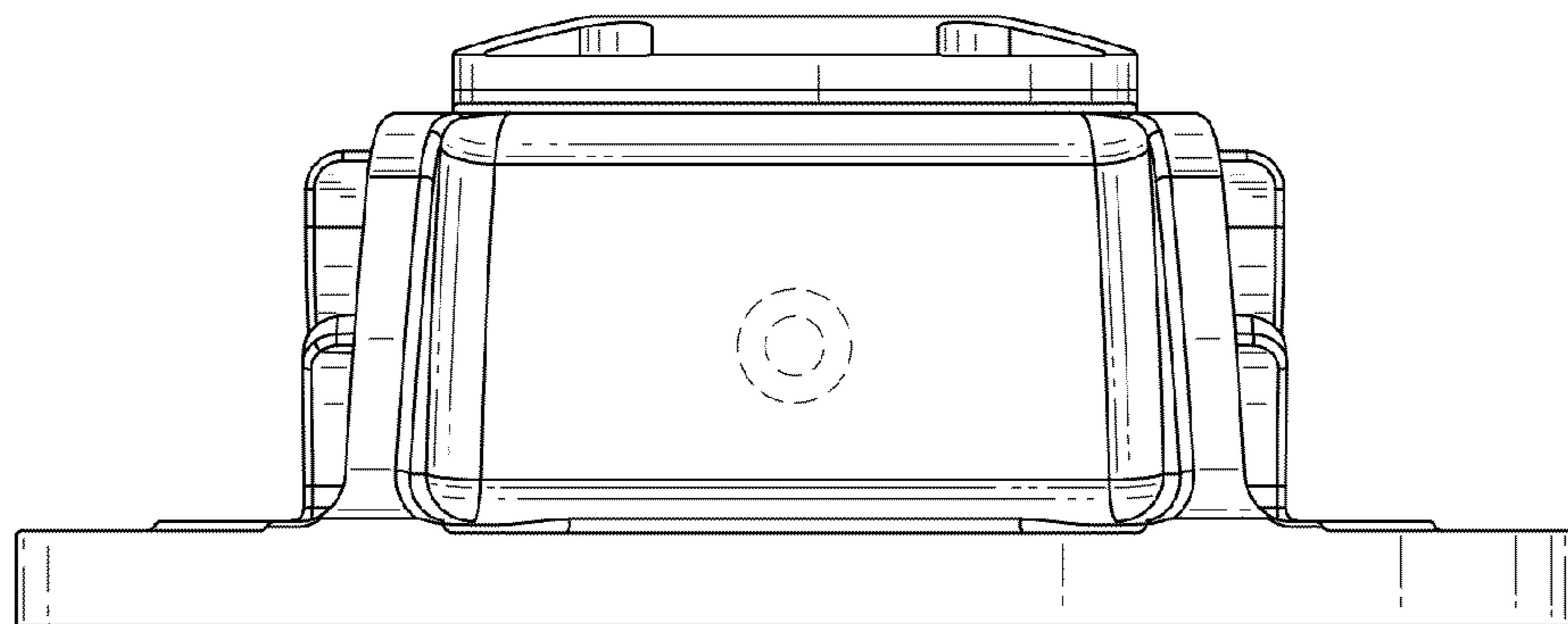


FIG. 13

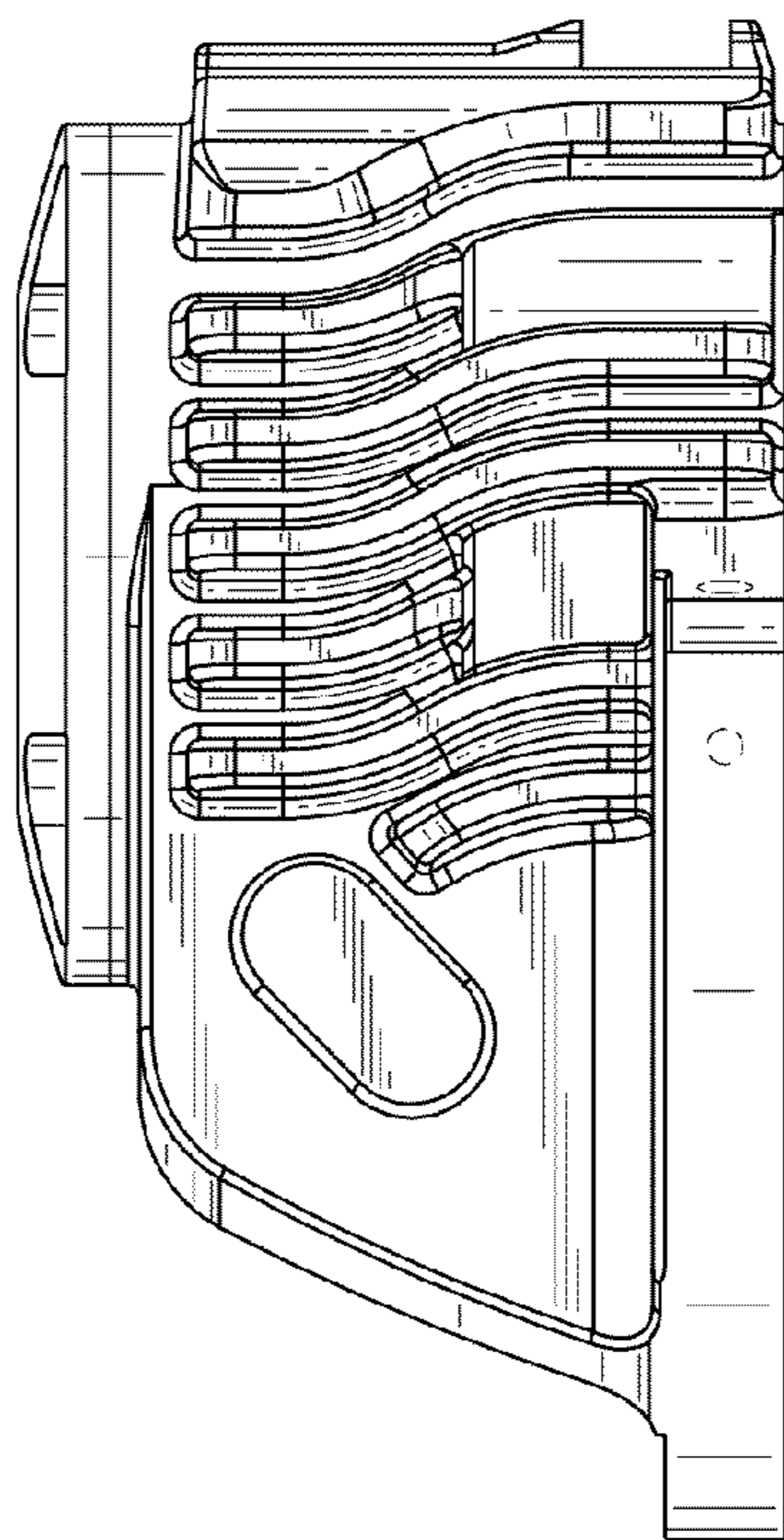


FIG. 14

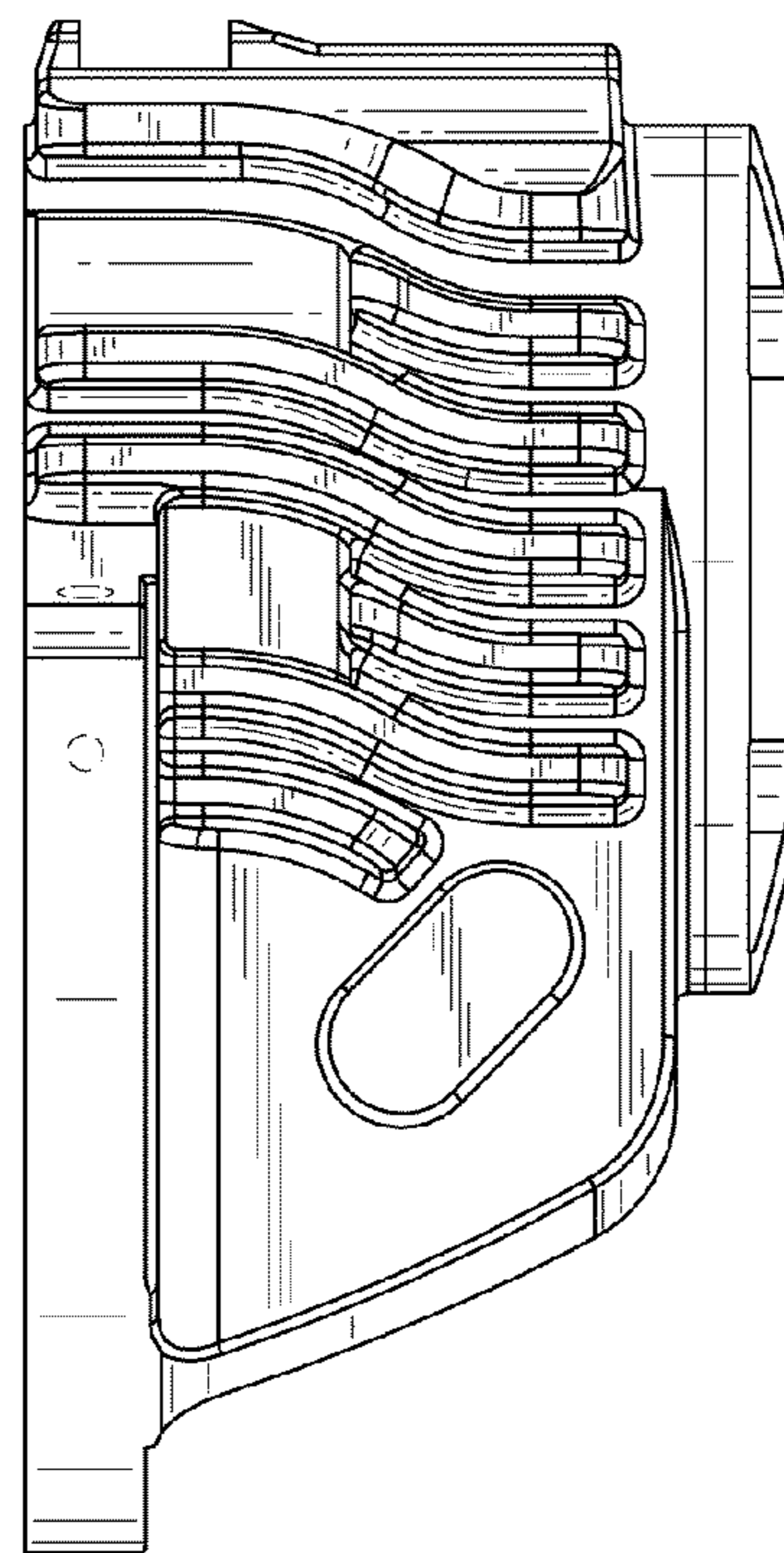


FIG. 15