



US00D729290S

(12) **United States Design Patent**  
**Yamada et al.**

(10) **Patent No.:** **US D729,290 S**

(45) **Date of Patent:** **\*\* May 12, 2015**

(54) **DRAFT CHAMBER**

(71) Applicant: **Panasonic Corporation**, Osaka (JP)

(72) Inventors: **Fumio Yamada**, Gunma (JP); **Akihiro Mochizuki**, Gunma (JP); **Yasutoshi Okamoto**, Tochigi (JP)

(73) Assignee: **Panasonic Healthcare Holdings Co., Ltd.**, Tokyo (JP)

(\*\*) Term: **14 Years**

(21) Appl. No.: **29/461,375**

(22) Filed: **Jul. 23, 2013**

(30) **Foreign Application Priority Data**

Feb. 28, 2013 (JP) ..... 2013-004196  
Feb. 28, 2013 (JP) ..... 2013-004197

(51) **LOC (10) Cl.** ..... **15-09**

(52) **U.S. Cl.**  
USPC ..... **D15/122**

(58) **Field of Classification Search**  
USPC ..... D15/122, 127, 130; D23/393  
See application file for complete search history.

(56) **References Cited**

**U.S. PATENT DOCUMENTS**

3,777,736 A \* 12/1973 Van Der Waaij et al. .... 600/21  
4,976,815 A \* 12/1990 Hiratsuka et al. .... 156/345.11  
D320,607 S \* 10/1991 Smith et al. .... D15/138  
D323,661 S \* 2/1992 Zwicker ..... D15/124

5,401,212 A \* 3/1995 Marvell et al. .... 454/187  
5,431,599 A \* 7/1995 Genco ..... 454/187  
D386,504 S \* 11/1997 Dieck ..... D15/124  
D396,277 S \* 7/1998 Wallace et al. .... D23/371  
D445,118 S \* 7/2001 Zwicker et al. .... D15/124  
D641,860 S 7/2011 Okamoto et al.  
D641,861 S 7/2011 Okamoto et al.  
D645,976 S 9/2011 Murray et al.

**FOREIGN PATENT DOCUMENTS**

JP D1406173 1/2011  
JP D1406218 1/2011  
JP D1406513 1/2011

\* cited by examiner

*Primary Examiner* — Patricia Palasik

(74) *Attorney, Agent, or Firm* — Brinks Gilson & Lione

(57) **CLAIM**

We claim the ornamental design for a draft chamber, as shown and described.

**DESCRIPTION**

FIG. 1 is a front perspective view of a first embodiment of a draft chamber of the present invention;  
FIG. 2 is a front view thereof;  
FIG. 3 is a rear view thereof;  
FIG. 4 is a first side view thereof;  
FIG. 5 is a second side view thereof;  
FIG. 6 is a top view thereof; and,  
FIG. 7 is a bottom view thereof.

The broken line showing of draft chamber is included for the purpose of illustrating environment and forms no part of the claimed design.

**1 Claim, 7 Drawing Sheets**

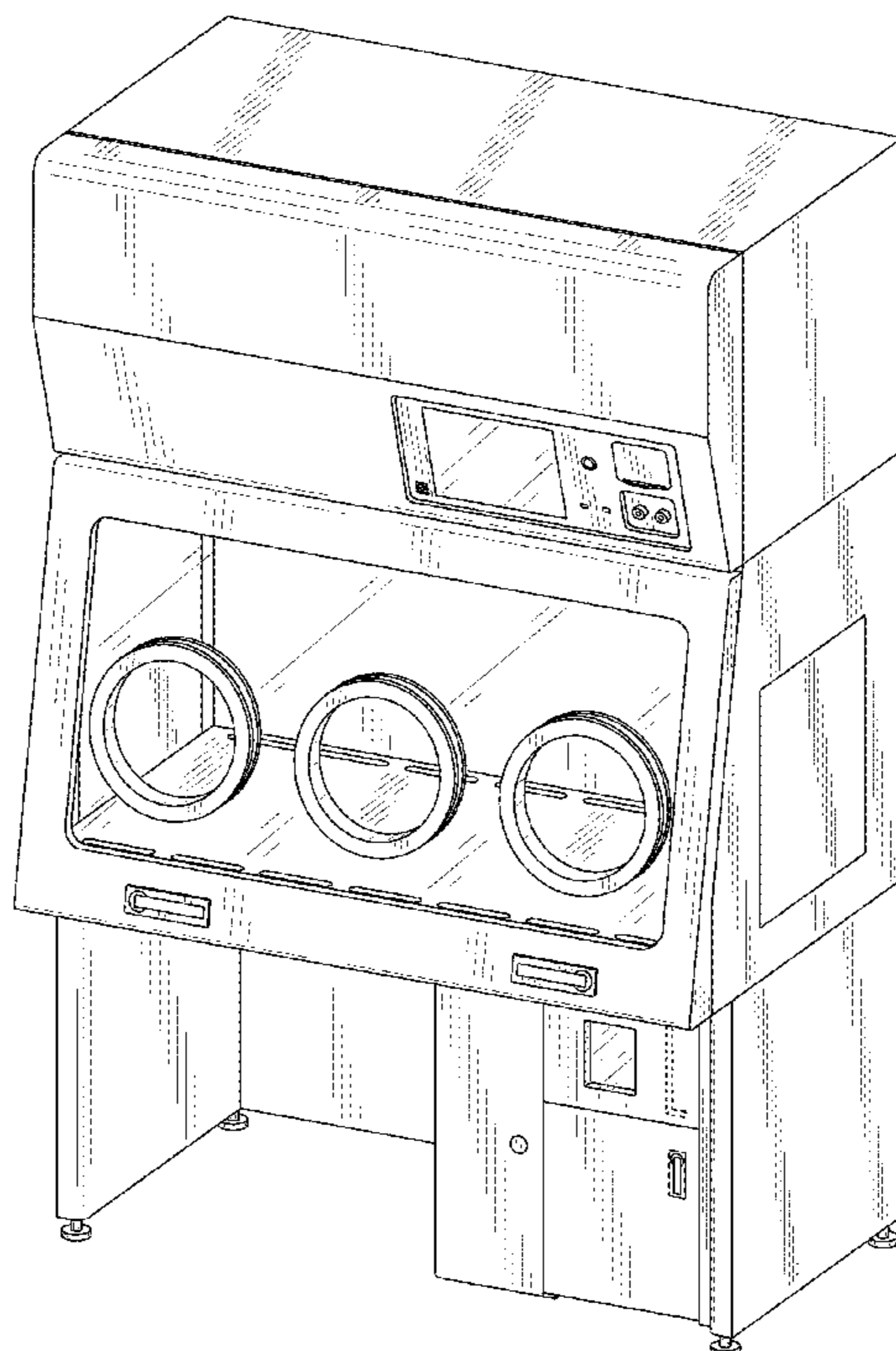


FIG. 1

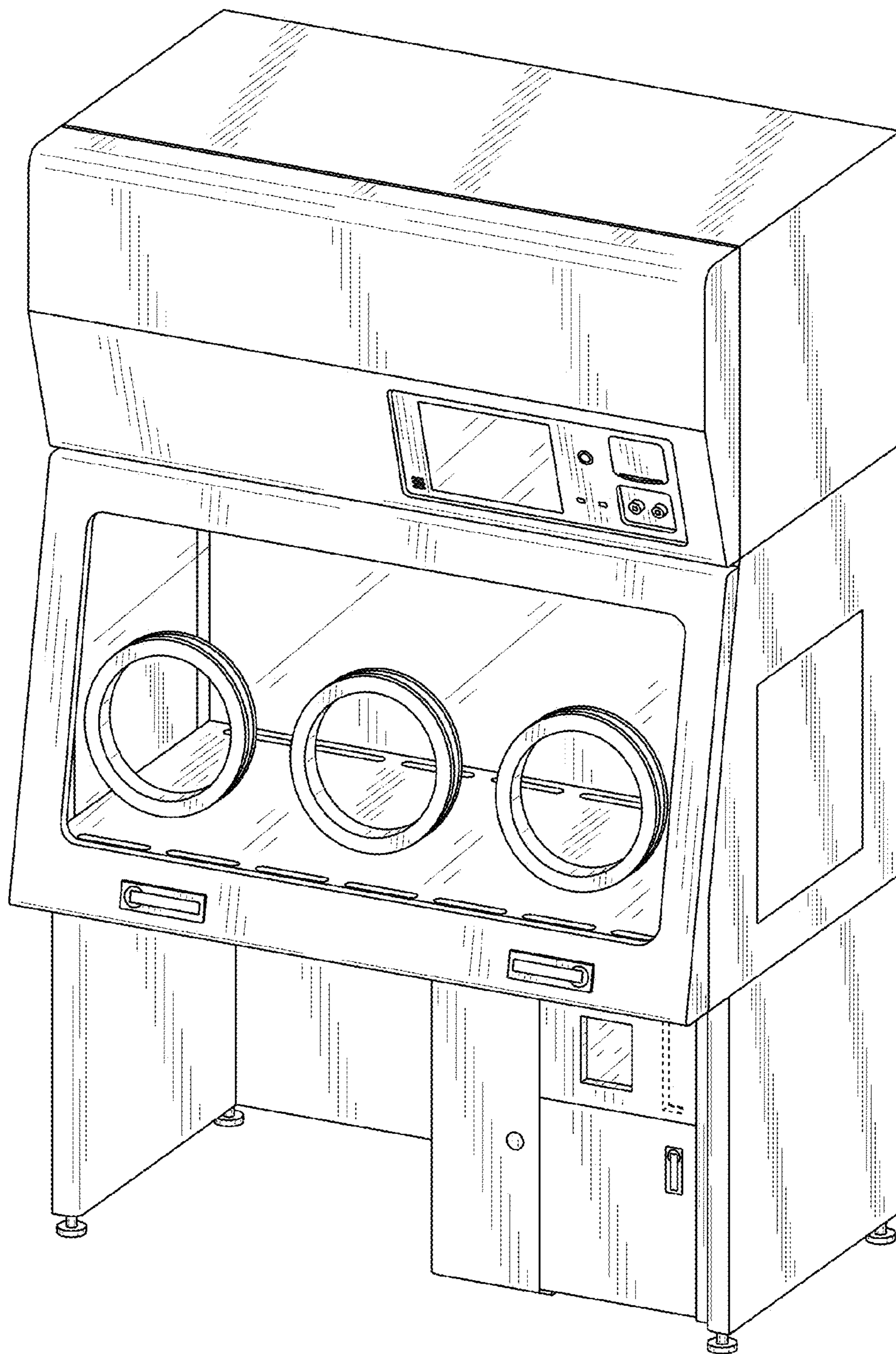


FIG. 2

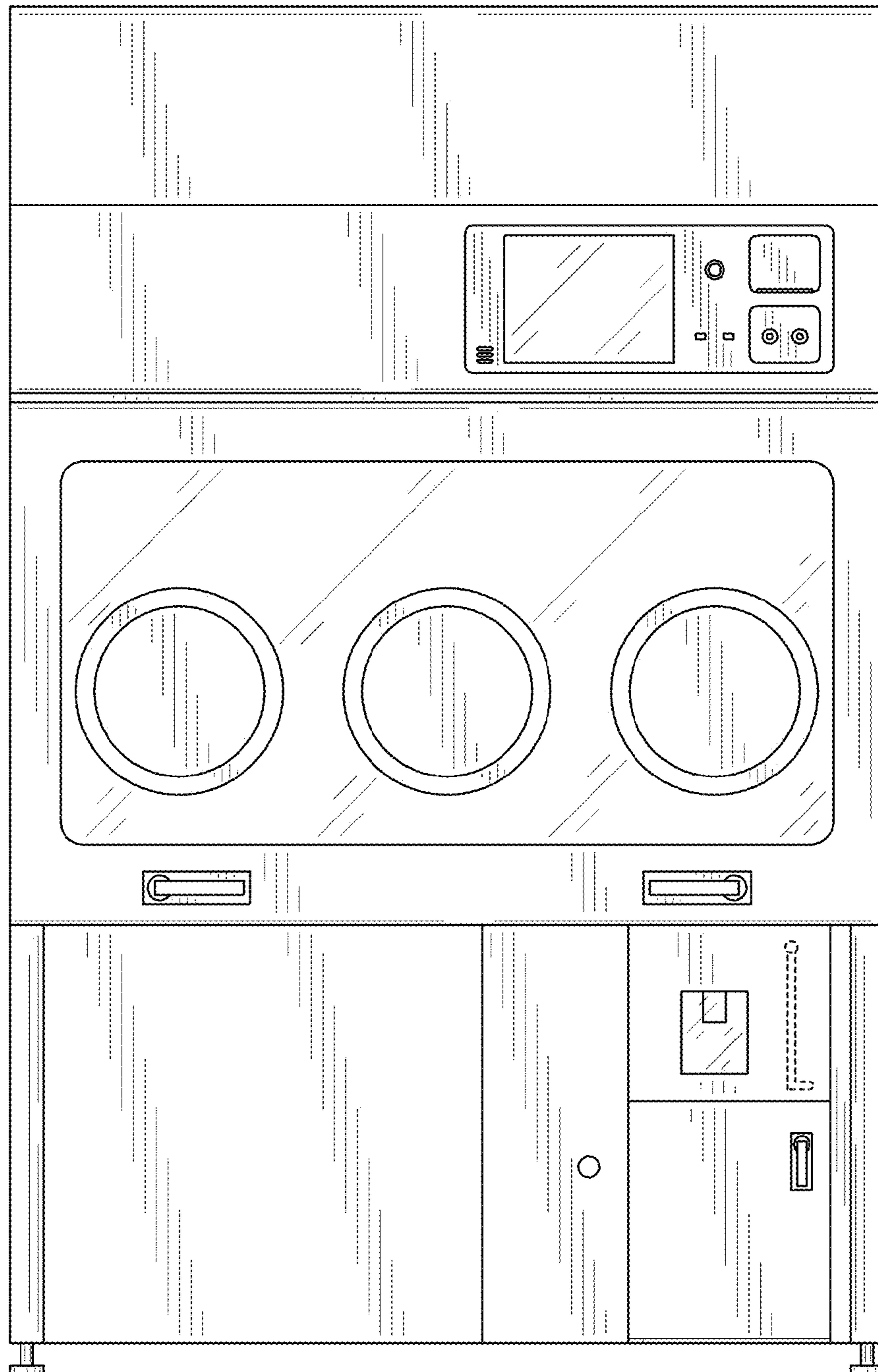


FIG. 3

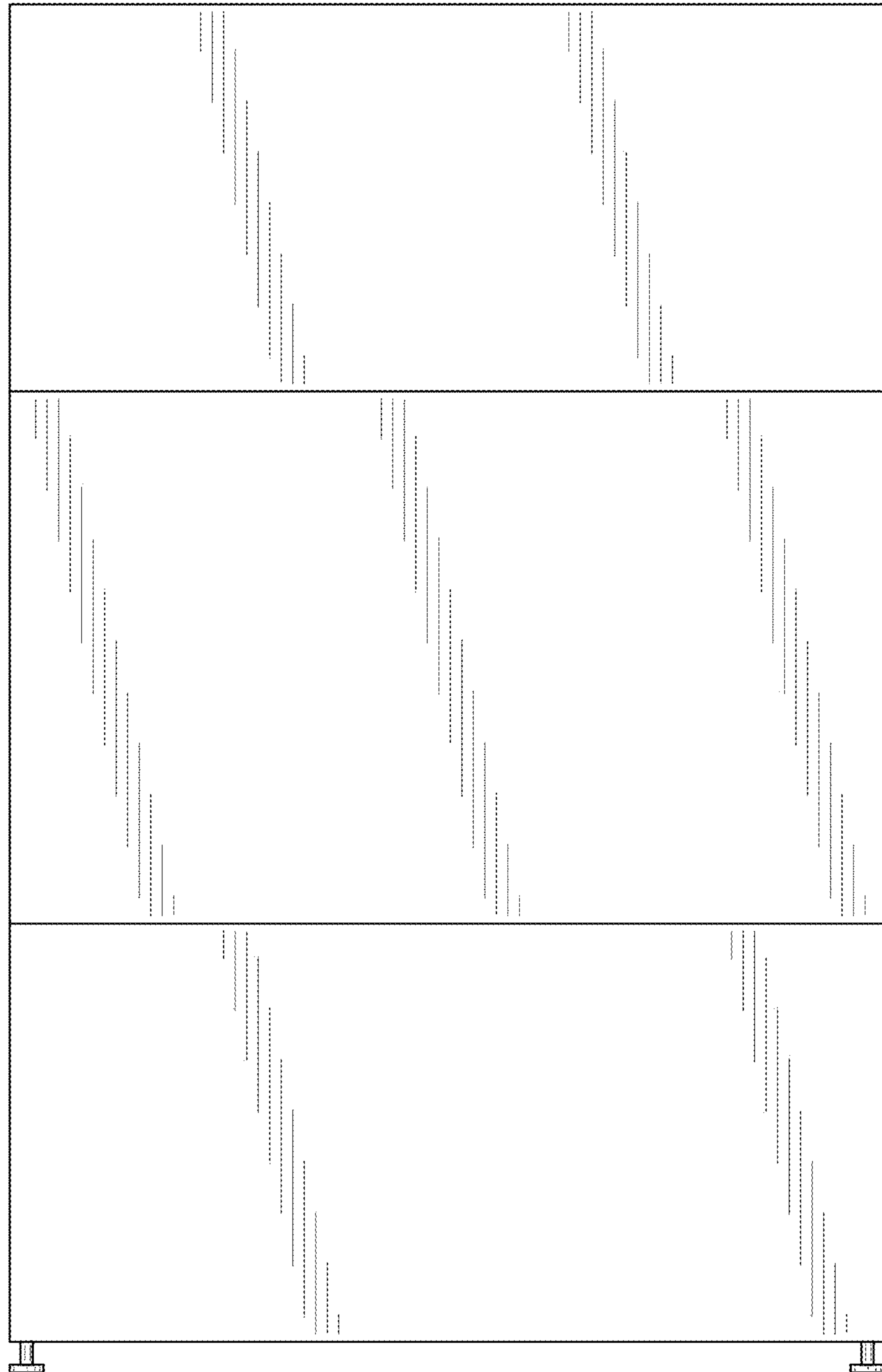




FIG. 4

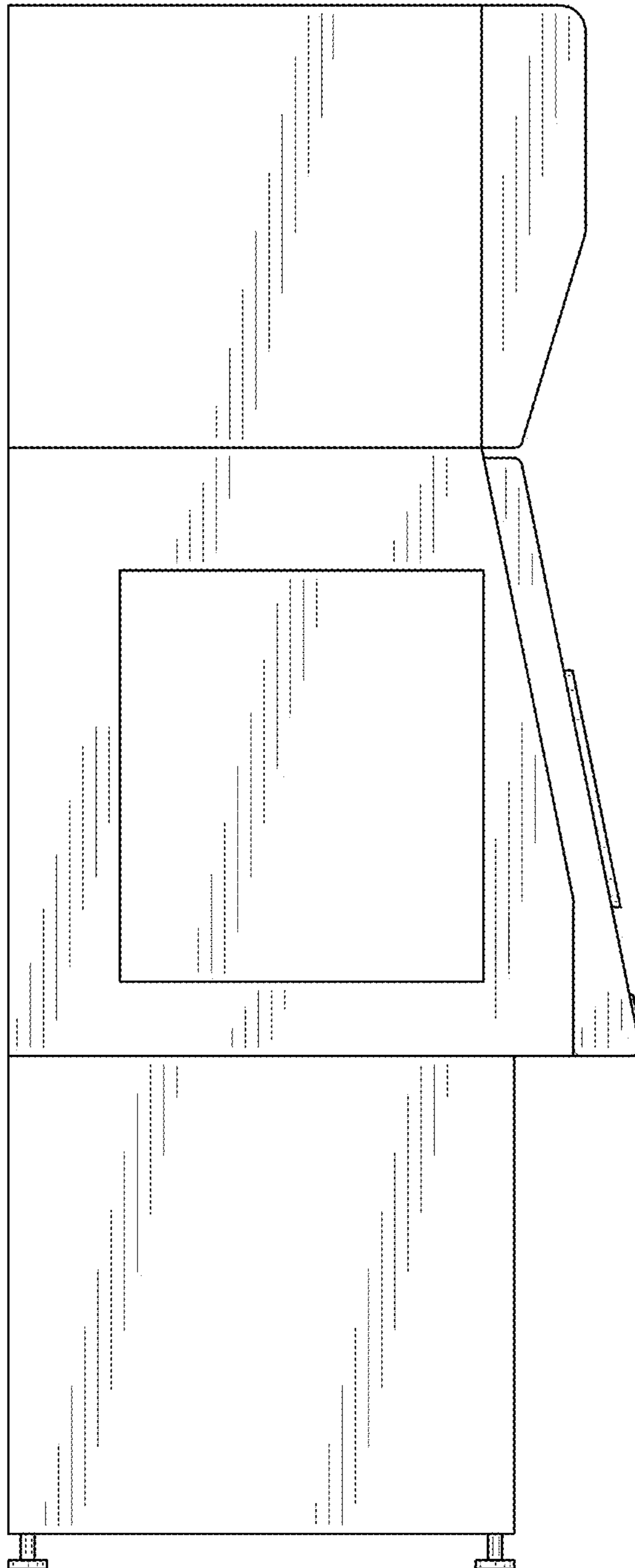


FIG. 5

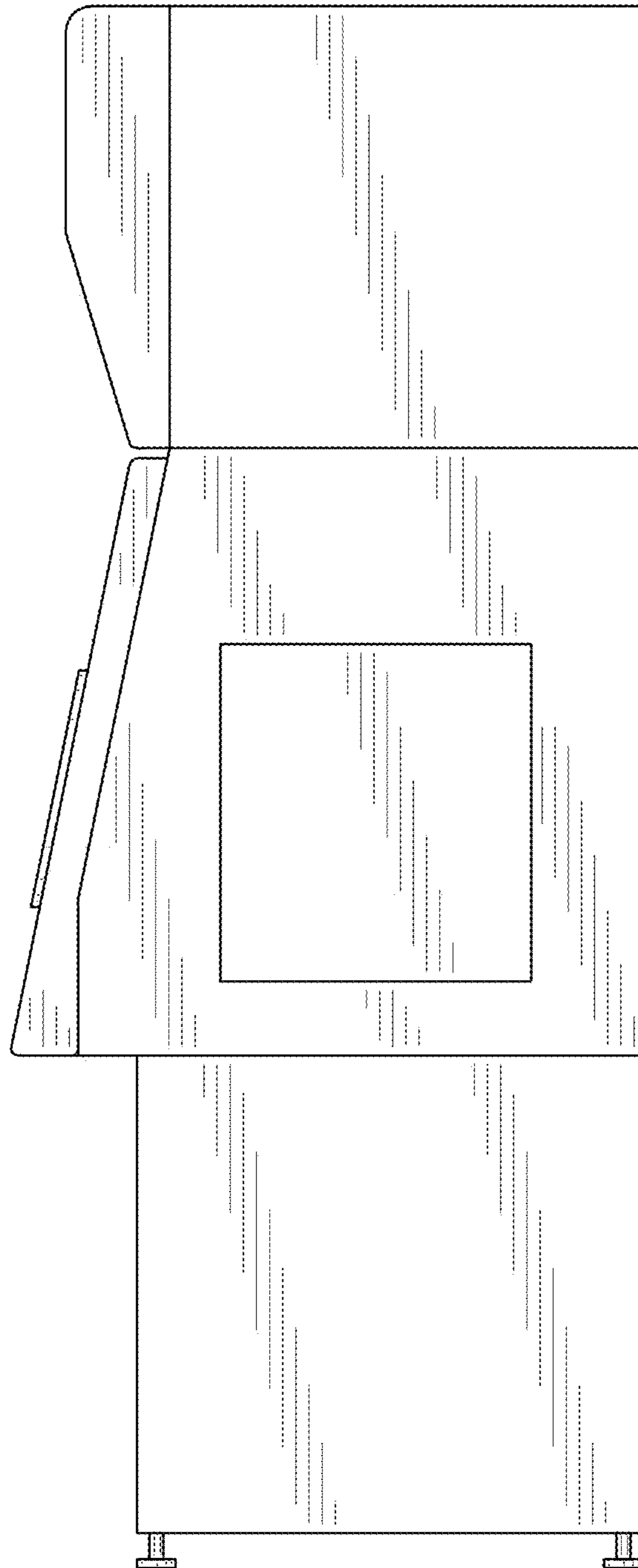


FIG. 6

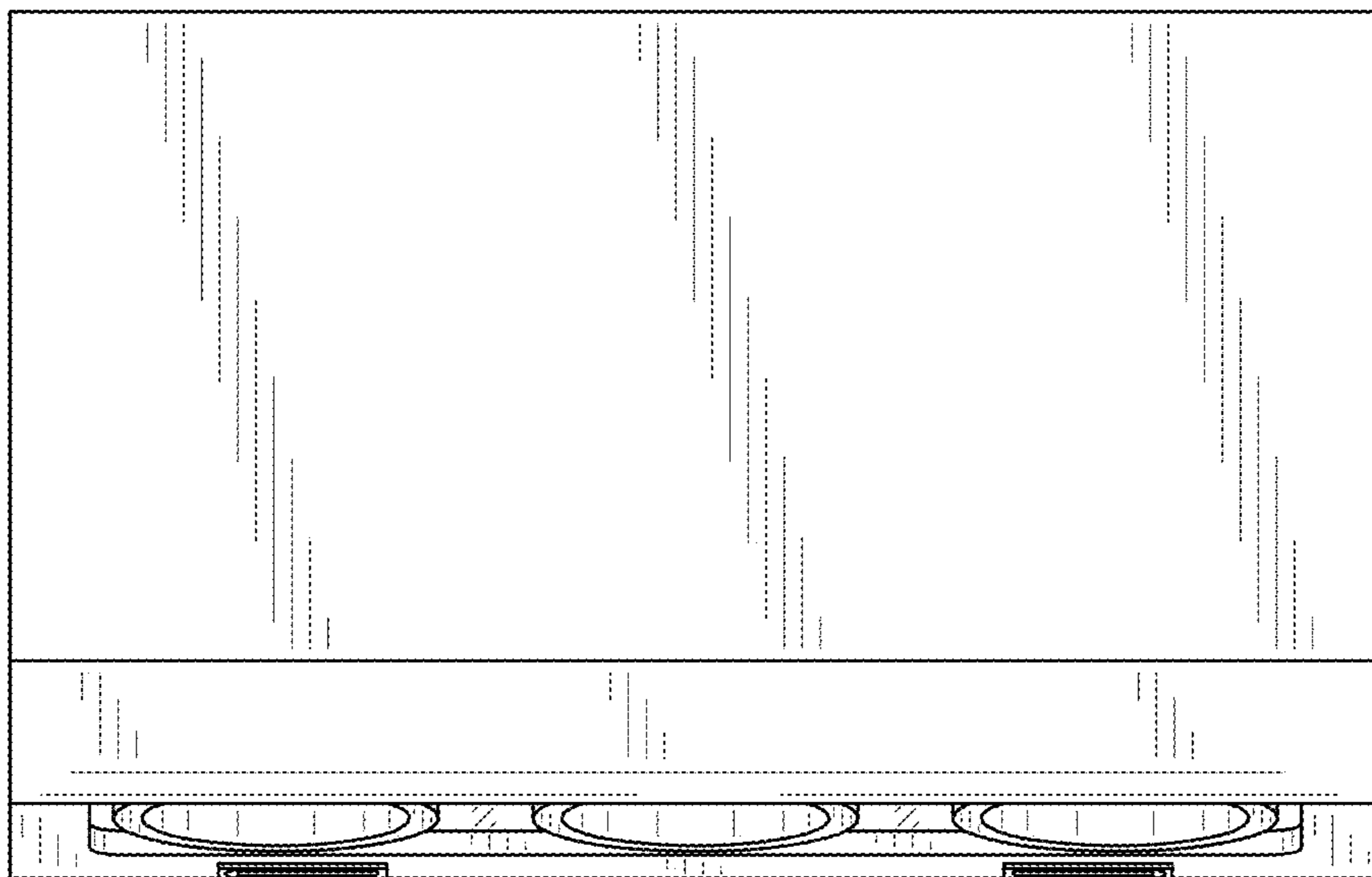


FIG. 7

