



US00D729287S

(12) **United States Design Patent**  
**Lee et al.**

(10) **Patent No.:** **US D729,287 S**  
(45) **Date of Patent:** **\*\* May 12, 2015**

(54) **REFRIGERATOR**

(71) Applicant: **Samsung Electronics Co., Ltd.**,  
Suwon-si (KR)

(72) Inventors: **Jong-Hyub Lee**, Seoul (KR); **Se-Youn Park**, Seoul (KR); **Jun-Kyo Lee**, Daegu (KR); **Hyun-II Lee**, Seoul (KR); **Sang-Woon Jeon**, Namyangju-si (KR)

(73) Assignee: **Samsung Electronics Co., Ltd.**,  
Suwon-si (KR)

(\*\*) Term: **14 Years**

(21) Appl. No.: **29/479,554**

(22) Filed: **Jan. 17, 2014**

(30) **Foreign Application Priority Data**

Sep. 3, 2013 (KR) ..... 30-2013-0045497

(51) **LOC (10) Cl.** ..... **15-07**

(52) **U.S. Cl.**  
USPC ..... **D15/89**

(58) **Field of Classification Search**  
USPC ..... D15/79-91; 62/3.63, 3.64, 312, 331,  
62/339, 371, 373, 293, 246-255, 440-445,  
62/467; 312/114-119, 236, 400-408,  
312/138.1, 139.1, 139.2

See application file for complete search history.

(56) **References Cited**

**U.S. PATENT DOCUMENTS**

D698,832 S \* 2/2014 Lee et al. .... D15/89  
D700,222 S \* 2/2014 Sin et al. .... D15/89

D709,931 S \* 7/2014 Park et al. .... D15/91  
D712,938 S \* 9/2014 Sin et al. .... D15/89  
D713,864 S \* 9/2014 Kim et al. .... D15/89  
D715,839 S \* 10/2014 Park et al. .... D15/91

**OTHER PUBLICATIONS**

Samsung electronics Co., Ltd., "Turn on TV by an application outside the house", Show "Smart Home" at IFA2013, Aug. 27, 2013, Report: Song-Hee Seo.

Samsung Electronics Co., Ltd. shows "Smart Home" at IFA2013, Aug. 27, 2013, Report: Young-Woo Park.

\* cited by examiner

*Primary Examiner* — Daniel Bui

*Assistant Examiner* — Khawaja Anwar

(74) *Attorney, Agent, or Firm* — Ladas & Parry LLP

(57) **CLAIM**

We claim the ornamental design for a refrigerator, as shown and described.

**DESCRIPTION**

FIG. 1 is a Perspective View of a refrigerator showing our new design;

FIG. 2 is a Front Elevation view thereof;

FIG. 3 is a Rear Elevation View thereof;

FIG. 4 is a Left Side Elevation View thereof;

FIG. 5 is a Right Side Elevation View thereof;

FIG. 6 is a Top Plan View thereof;

FIG. 7 is a Bottom Plan View thereof; and,

FIG. 8 is an Enlarged Cross-Sectional View taken along line 8-8 of a Front View.

The broken lines in the figure drawings show unclaimed environment only and form no part of the claimed design.

**1 Claim, 7 Drawing Sheets**

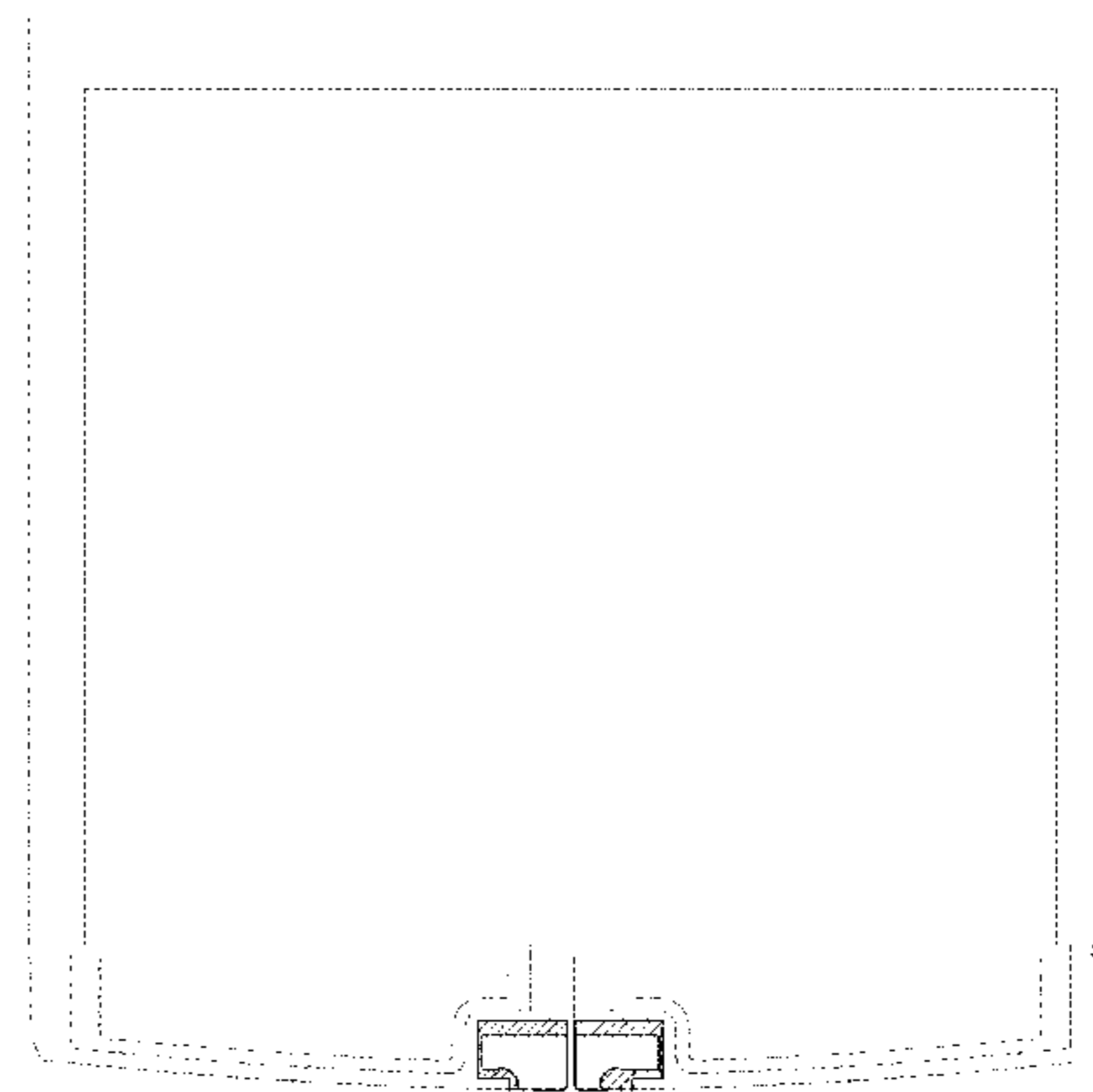
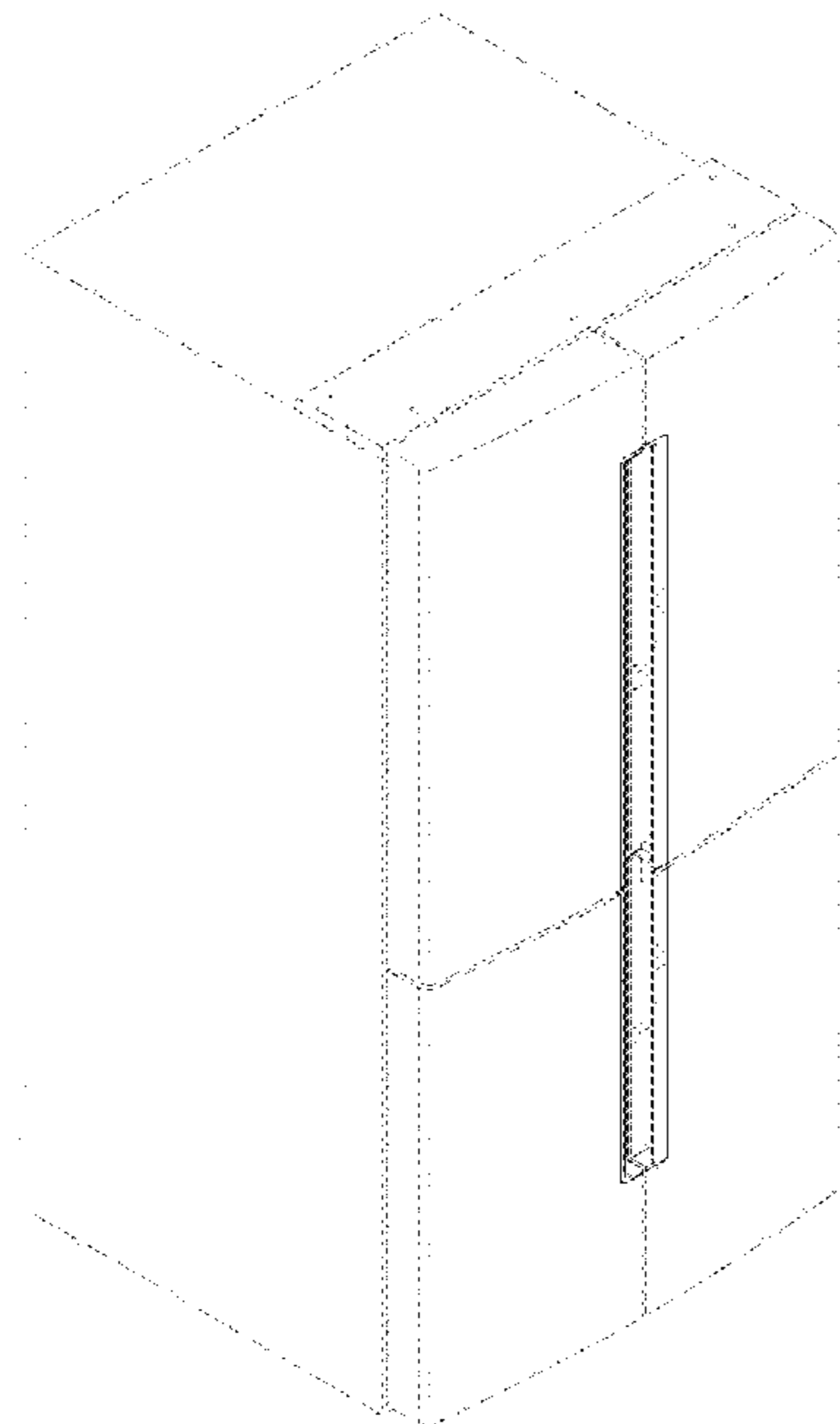


FIG. 1

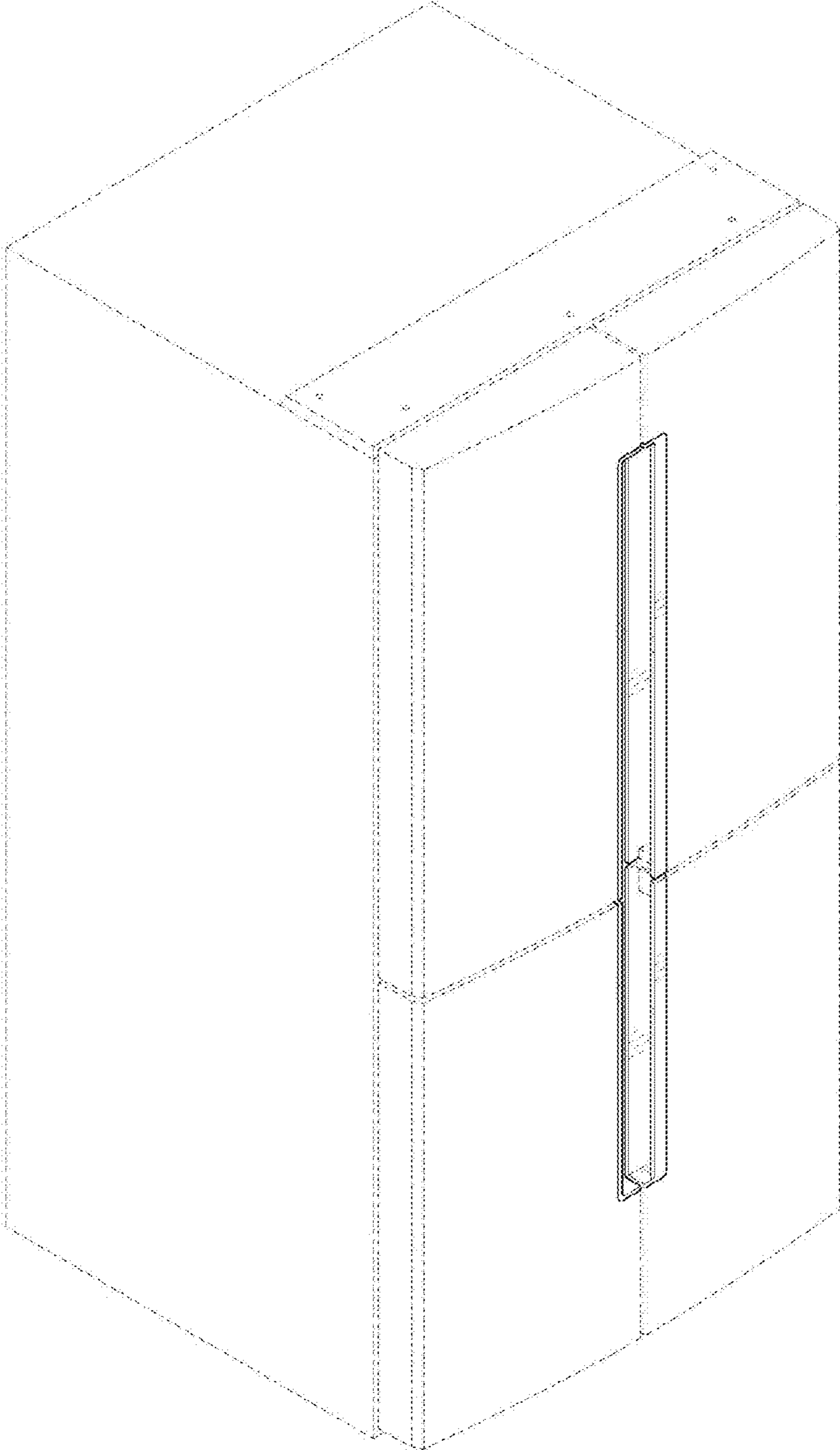


FIG. 2

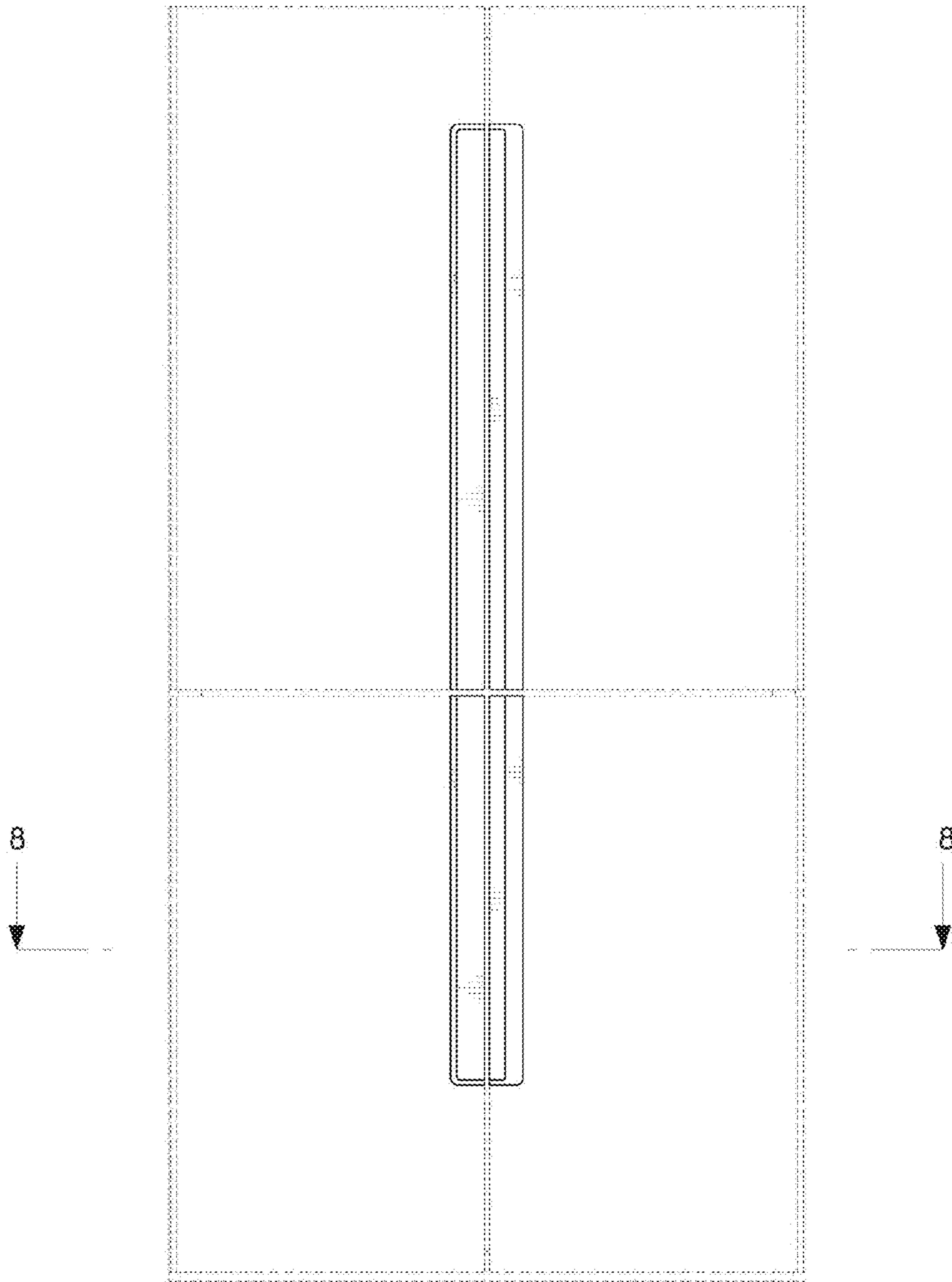


FIG. 3

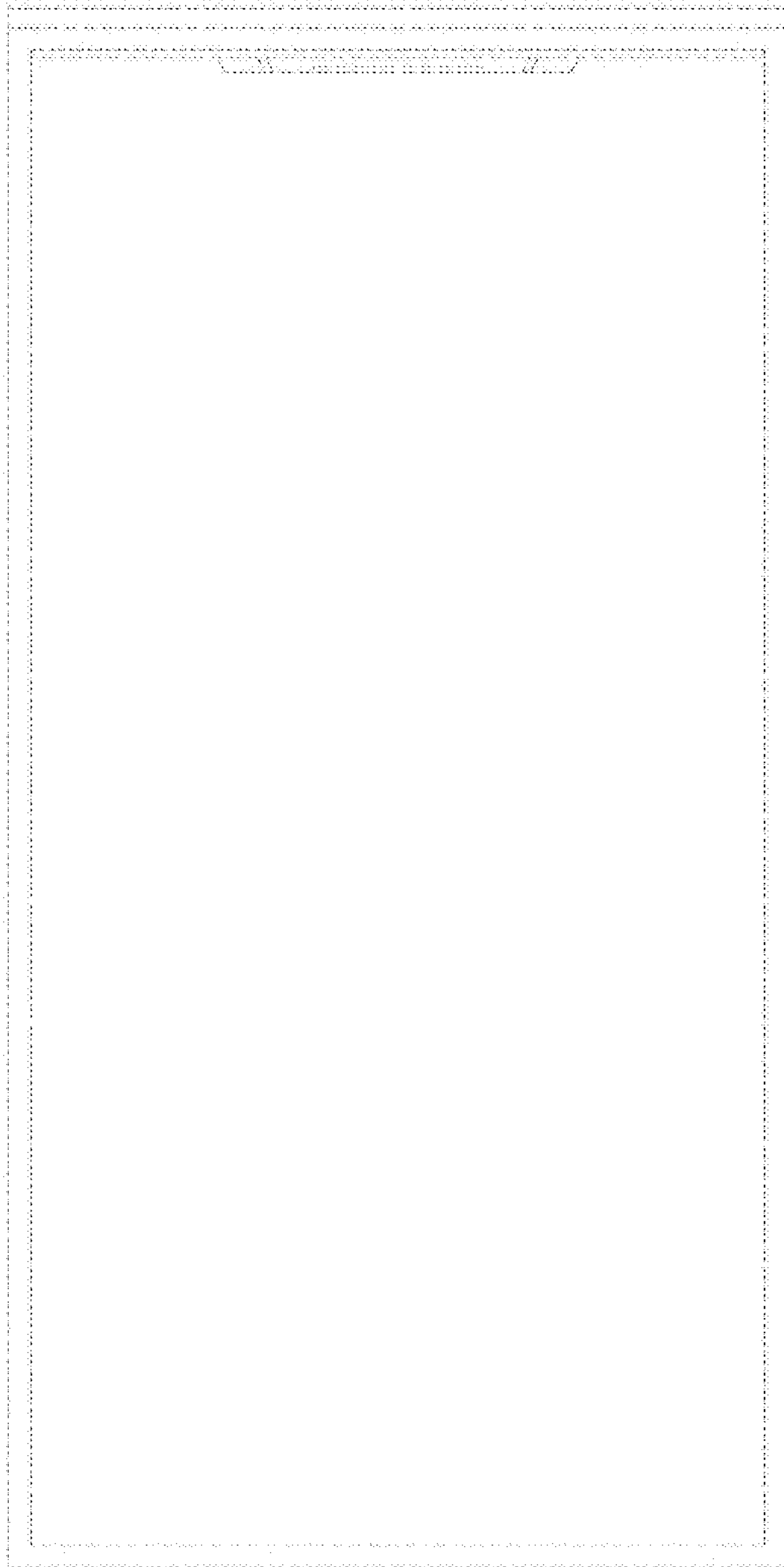


FIG. 4

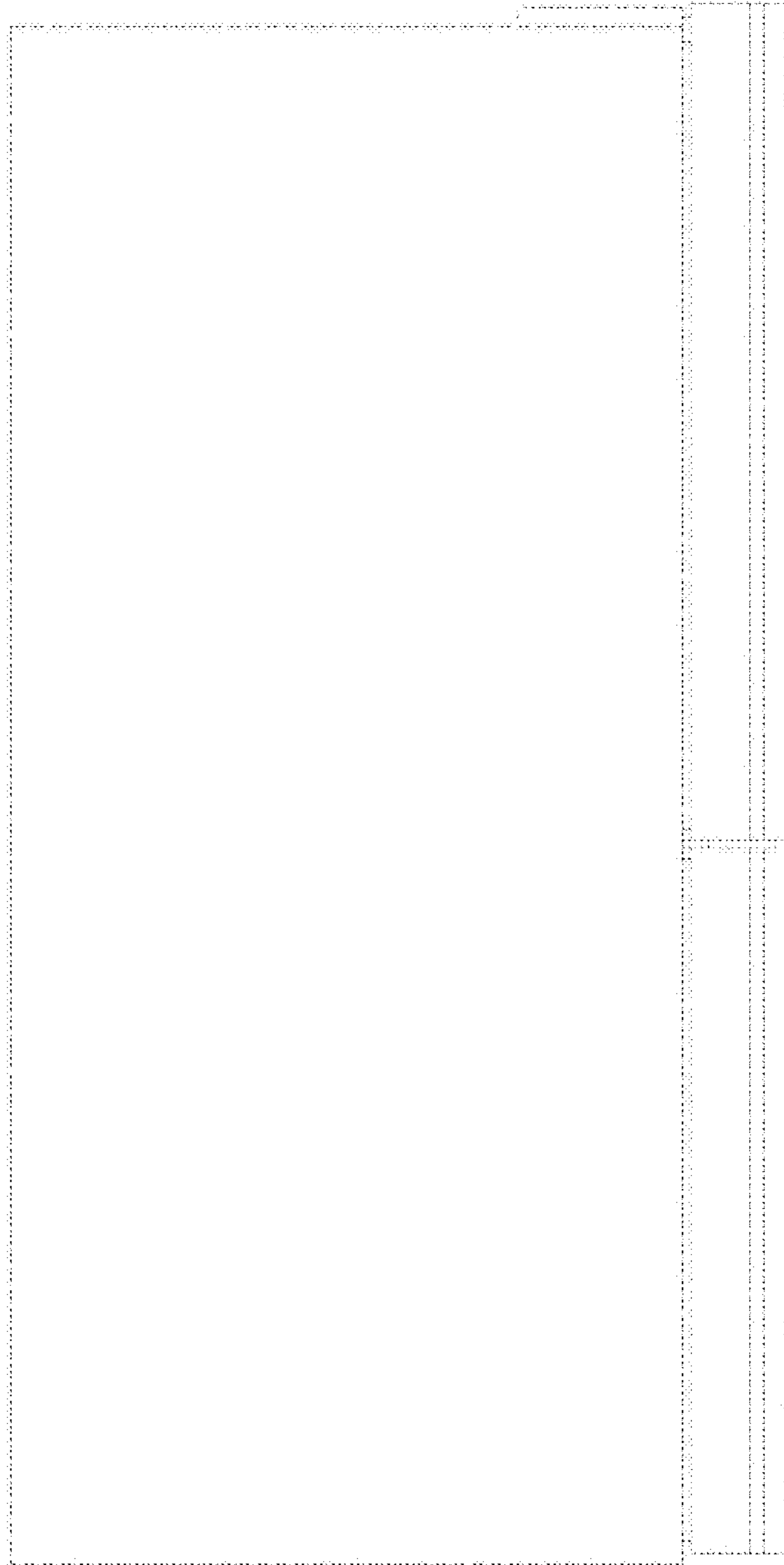


FIG. 5

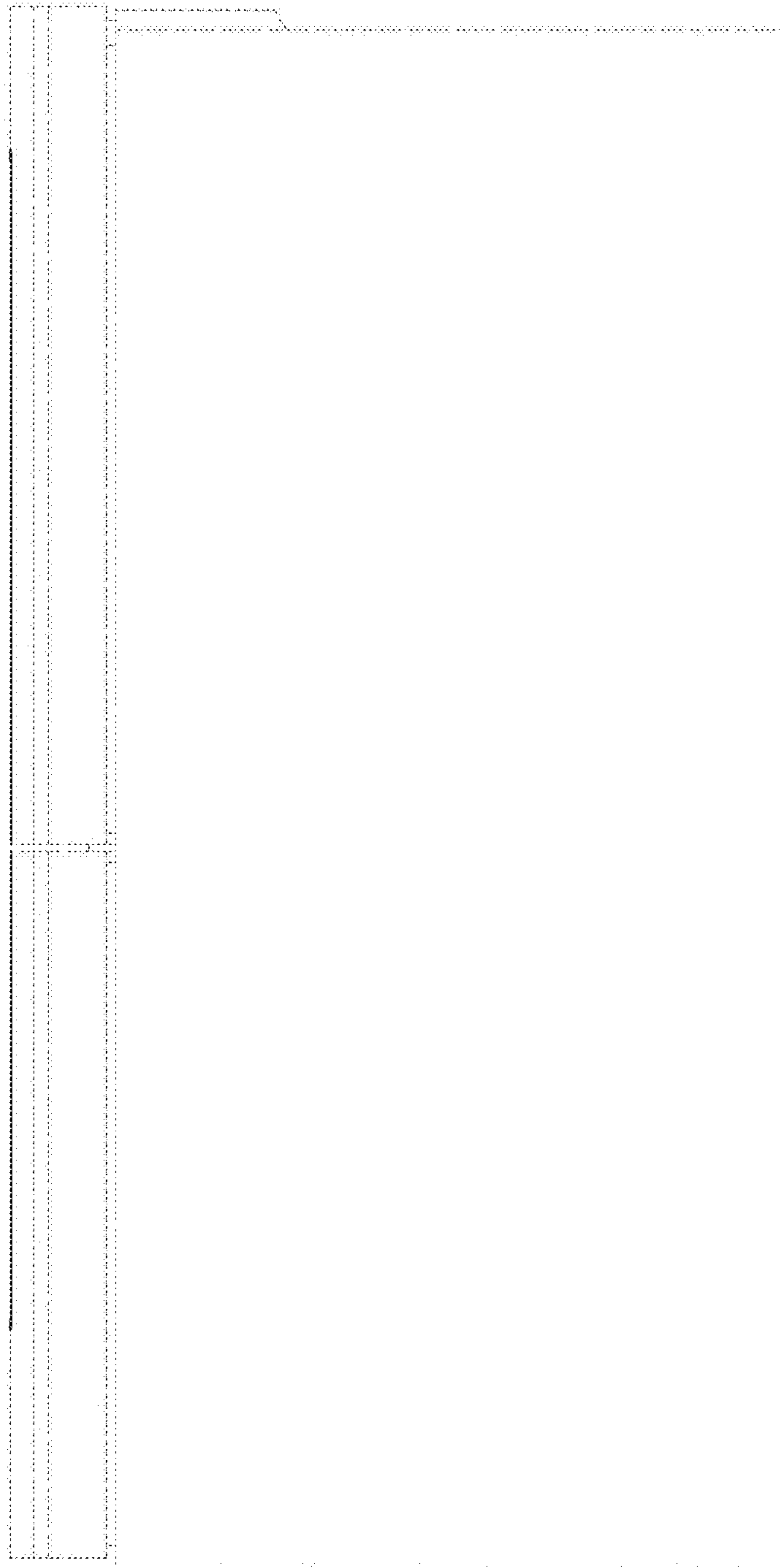


FIG. 6

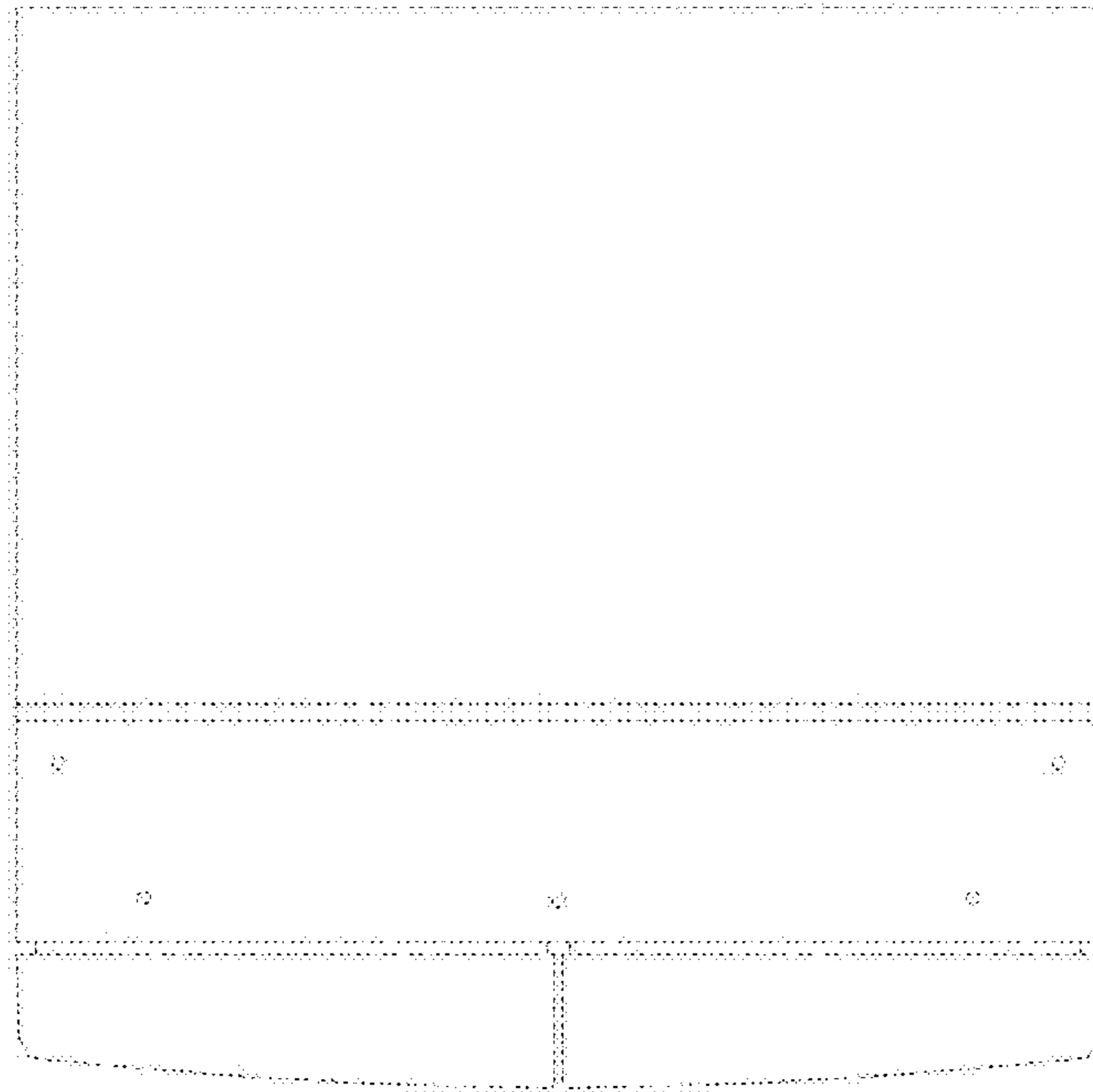


FIG. 7

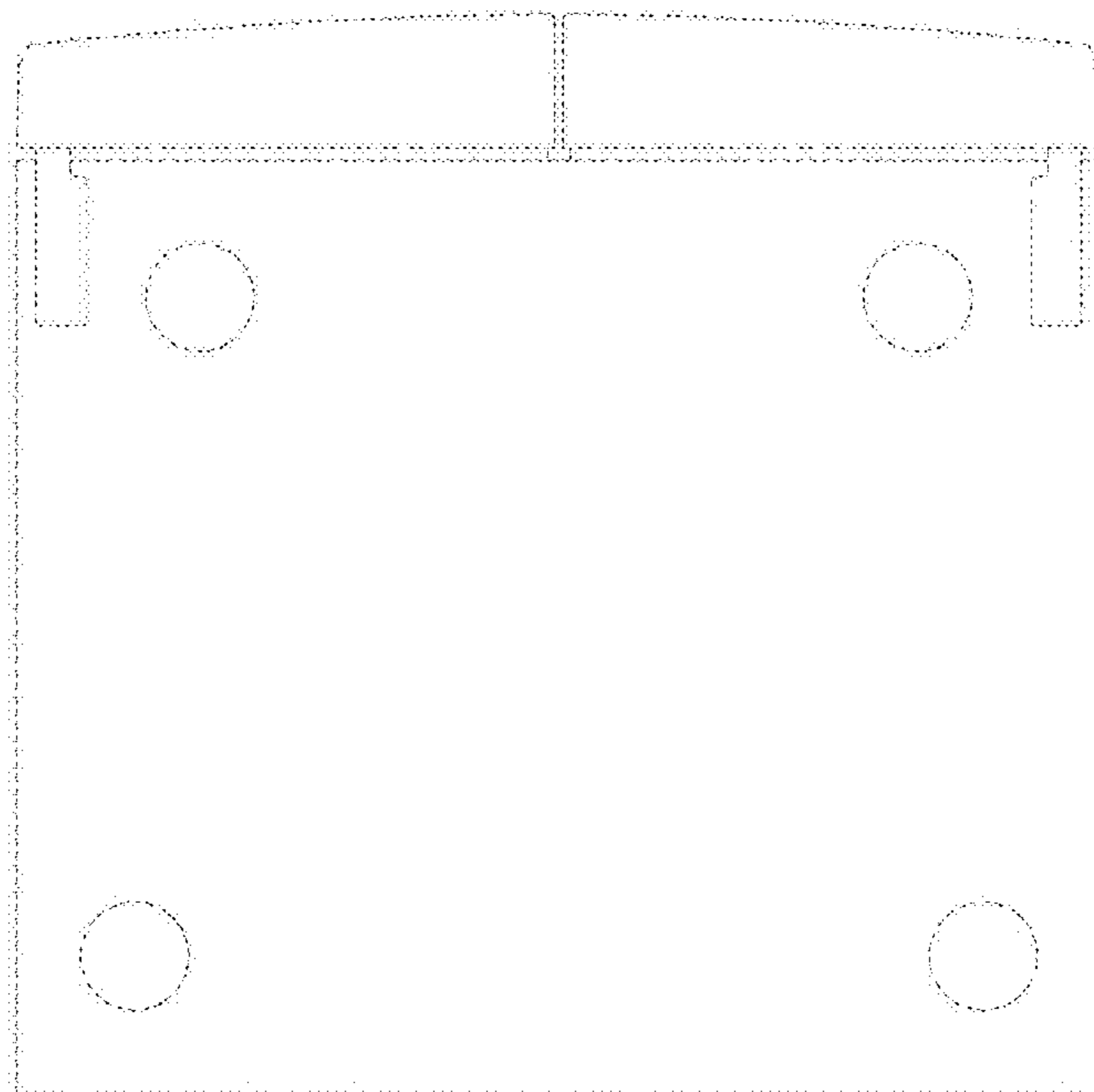


FIG. 8

