



US00D729286S

(12) **United States Design Patent**  
**Kwak et al.**

(10) **Patent No.:** **US D729,286 S**  
(45) **Date of Patent:** **\*\* May 12, 2015**

(54) **REFRIGERATOR**

(71) Applicant: **LG Electronics Inc.**, Seoul (KR)

(72) Inventors: **Sangsin Kwak**, Seoul (KR); **Jinwon Kang**, Gyeonggi-do (KR); **Junyi Heo**, Jeollabuk-do (KR); **Sunil Cho**, Gyeonggi-do (KR)

(73) Assignee: **LG Electronics Inc.**, Seoul (KR)

(\*\*) Term: **14 Years**

(21) Appl. No.: **29/486,939**

(22) Filed: **Apr. 4, 2014**

(30) **Foreign Application Priority Data**

Oct. 7, 2013 (KR) ..... 30-2013-0050919

(51) **LOC (10) Cl.** ..... **15-07**

(52) **U.S. Cl.**  
USPC ..... **D15/85**

(58) **Field of Classification Search**  
USPC ..... D15/79-91; 312/114-119, 236, 352,  
312/400-408; 62/3.1-3.64, 293, 371, 400,  
62/467, 529, 531  
See application file for complete search history.

(56) **References Cited**

**U.S. PATENT DOCUMENTS**

D629,021 S \* 12/2010 Cho et al. .... D15/85  
D657,805 S \* 4/2012 Cho et al. .... D15/86  
D658,213 S \* 4/2012 Seo et al. .... D15/86  
D671,572 S \* 11/2012 Seo et al. .... D15/86

D672,375 S \* 12/2012 Lee et al. .... D15/86  
D674,417 S \* 1/2013 Seo et al. .... D15/86  
D674,418 S \* 1/2013 Seo et al. .... D15/86  
D676,467 S \* 2/2013 Kim ..... D15/86  
D678,922 S \* 3/2013 Lee et al. .... D15/86  
D680,138 S \* 4/2013 Seo et al. .... D15/86  
D681,695 S \* 5/2013 Lee et al. .... D15/86  
D684,609 S \* 6/2013 Seo et al. .... D15/86  
D686,644 S \* 7/2013 Lee et al. .... D15/86  
D692,033 S \* 10/2013 Choi et al. .... D15/86  
D700,222 S \* 2/2014 Sin et al. .... D15/89

\* cited by examiner

*Primary Examiner* — Ian Simmons

*Assistant Examiner* — Khawaja Anwar

(74) *Attorney, Agent, or Firm* — Morgan, Lewis & Bockius LLP

(57) **CLAIM**

The ornamental design for a refrigerator, as shown and described.

**DESCRIPTION**

FIG. 1 is a front, right side, perspective view of a refrigerator showing our new design;  
FIG. 2 is a front view thereof;  
FIG. 3 is a rear view thereof;  
FIG. 4 is a left side view thereof;  
FIG. 5 is a right side view thereof;  
FIG. 6 is a top view thereof; and,  
FIG. 7 is a bottom view thereof.  
The broken lines in the drawings are included to show unclaimed subject matter only and form no part of the claimed design.

**1 Claim, 6 Drawing Sheets**

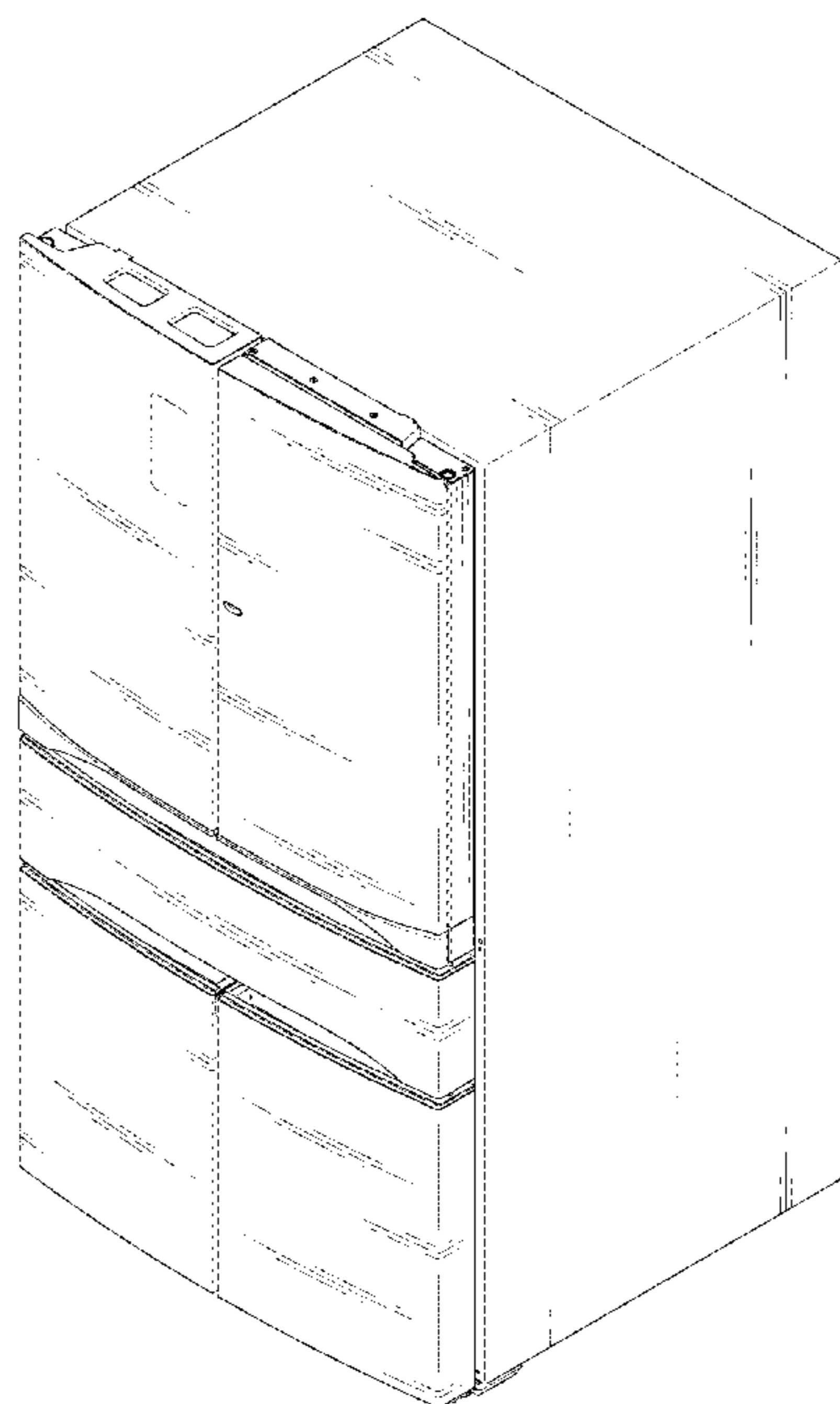


FIG. 1

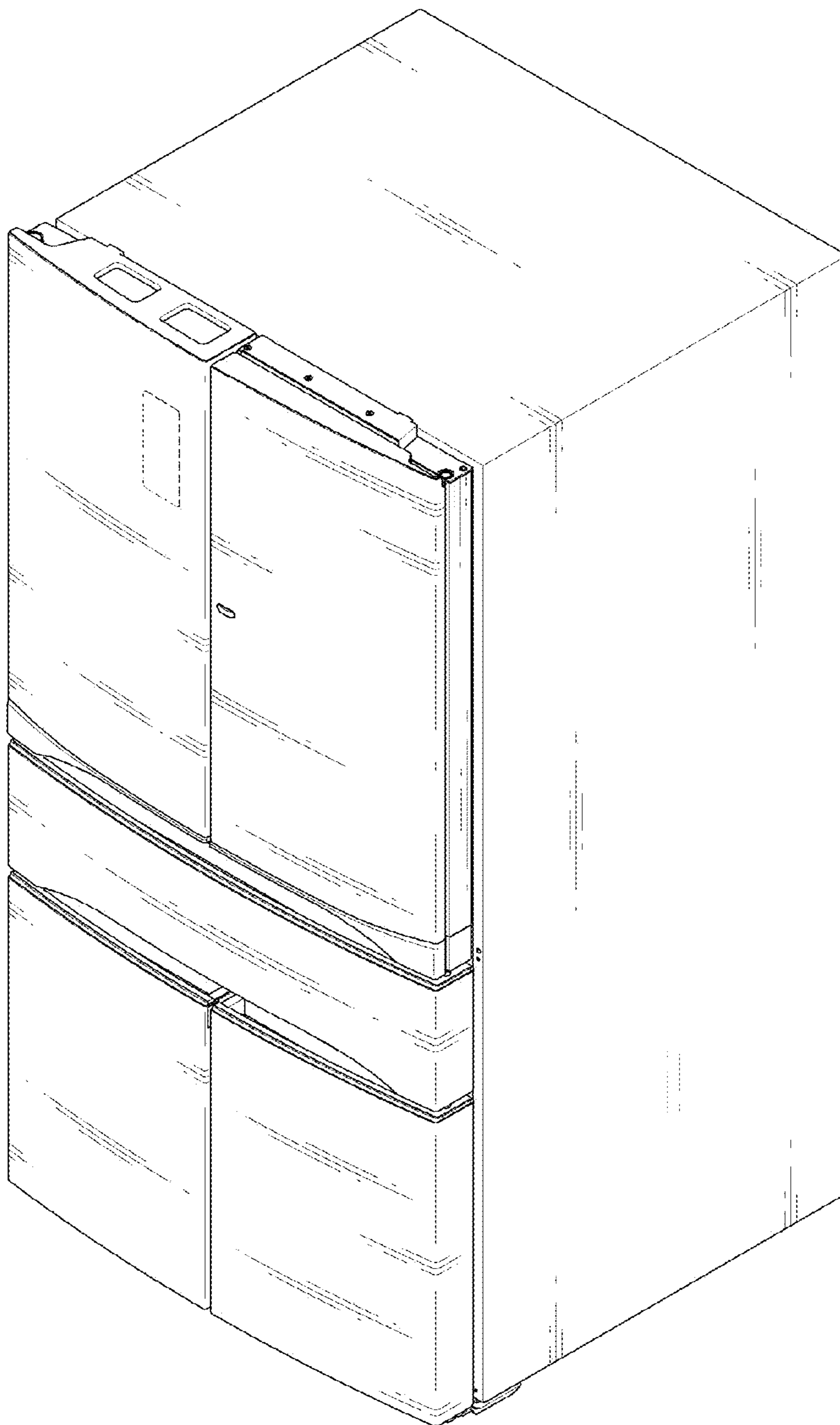


FIG. 2

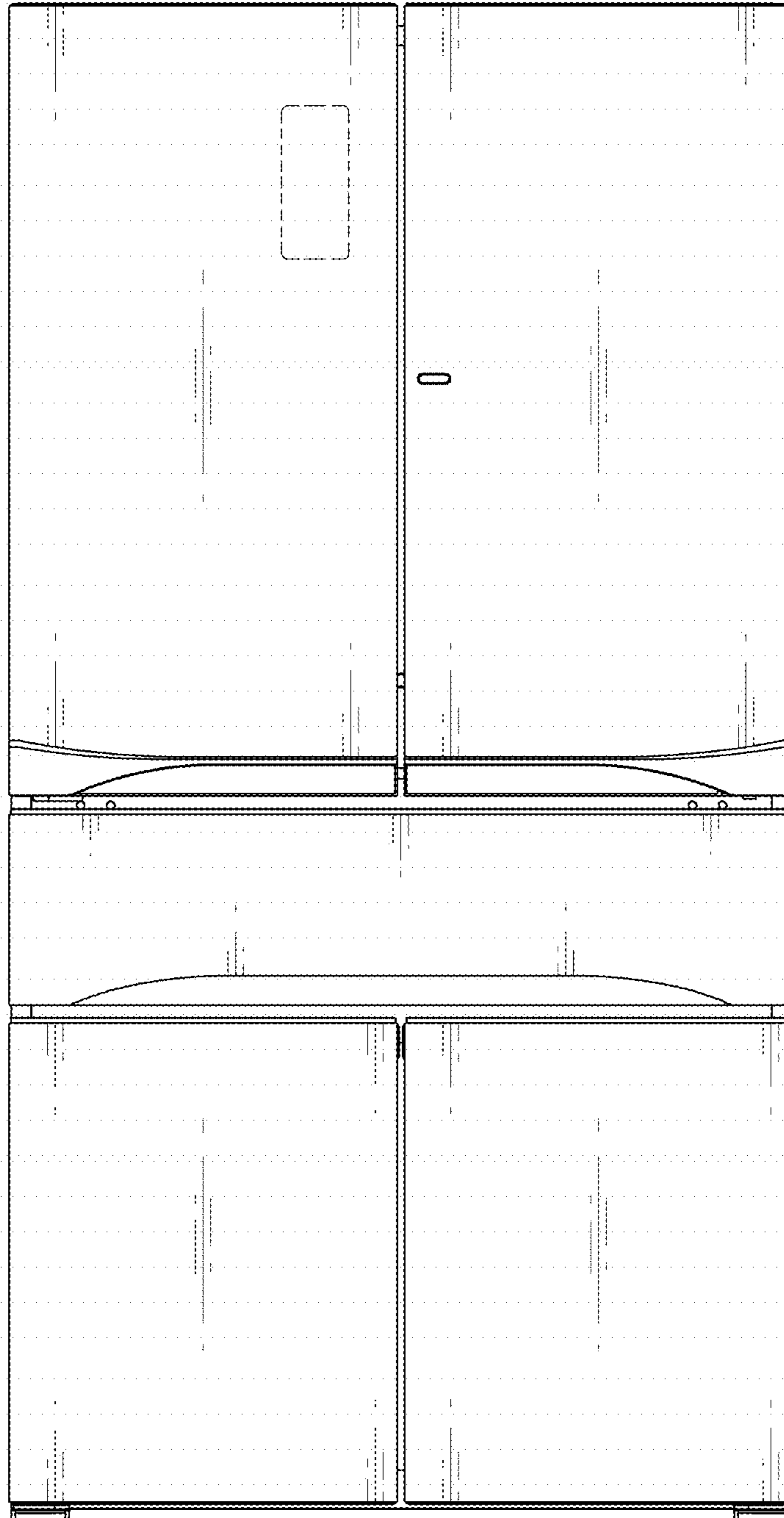


FIG. 3

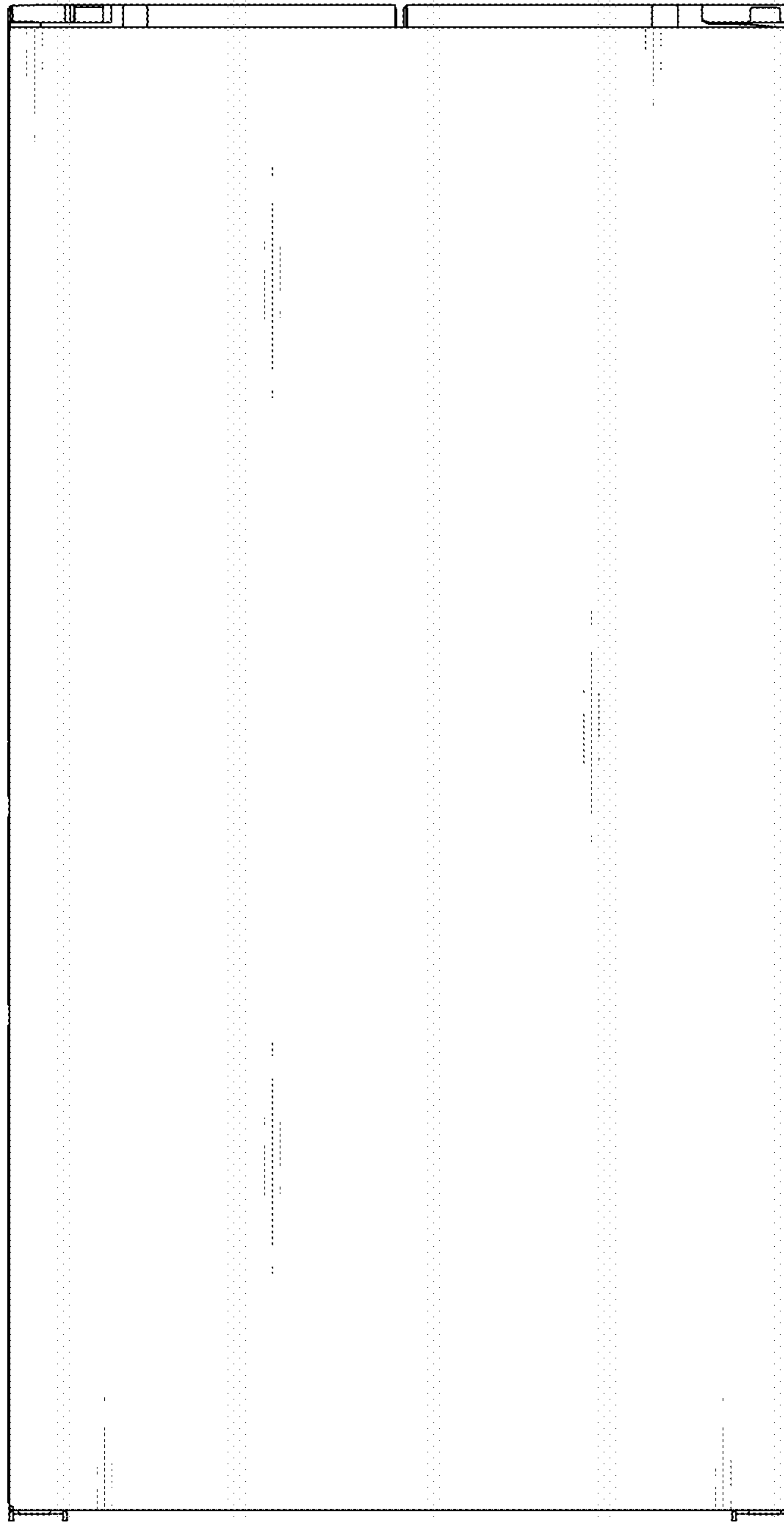


FIG. 4



FIG. 5

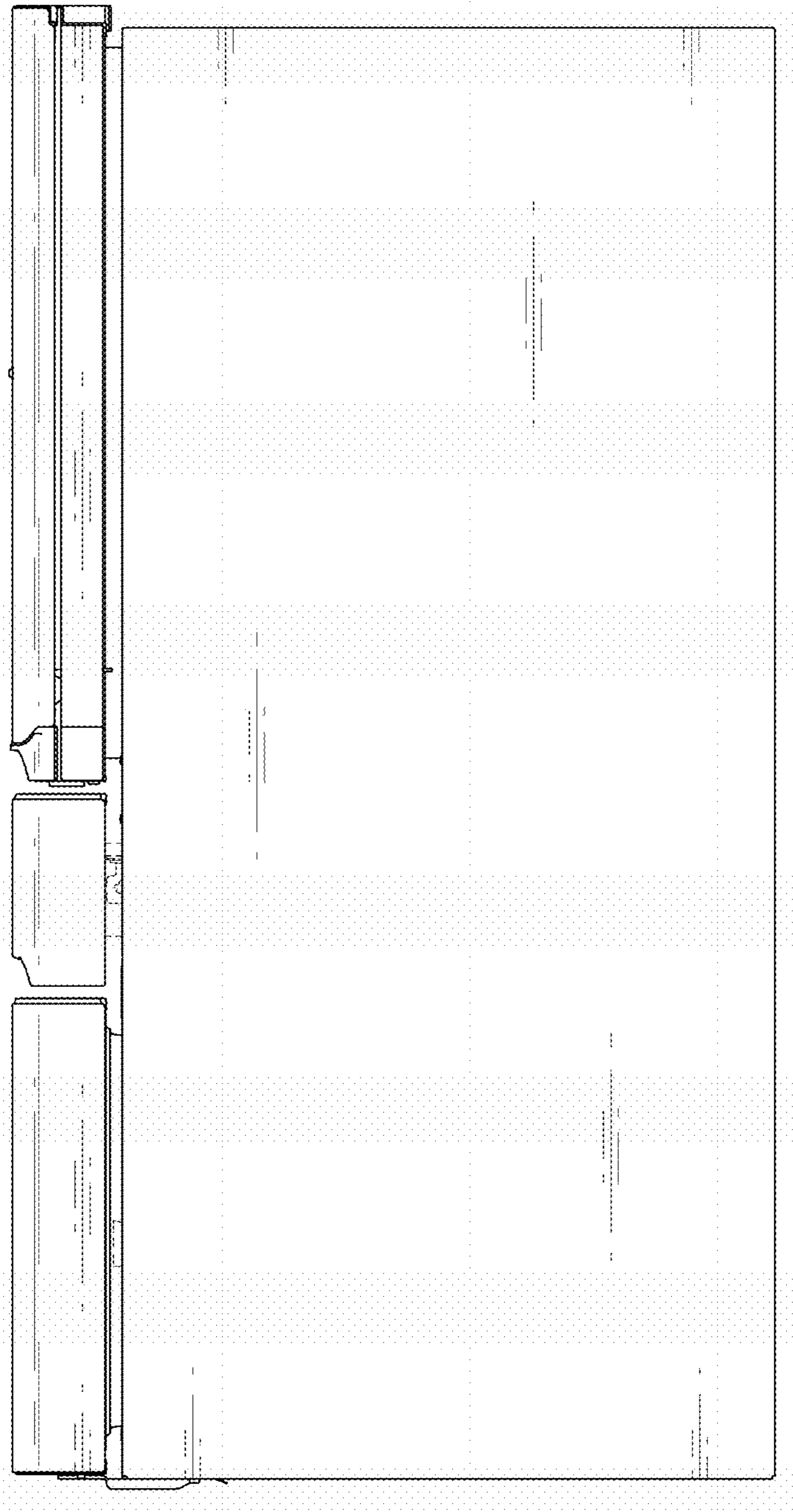


FIG. 6

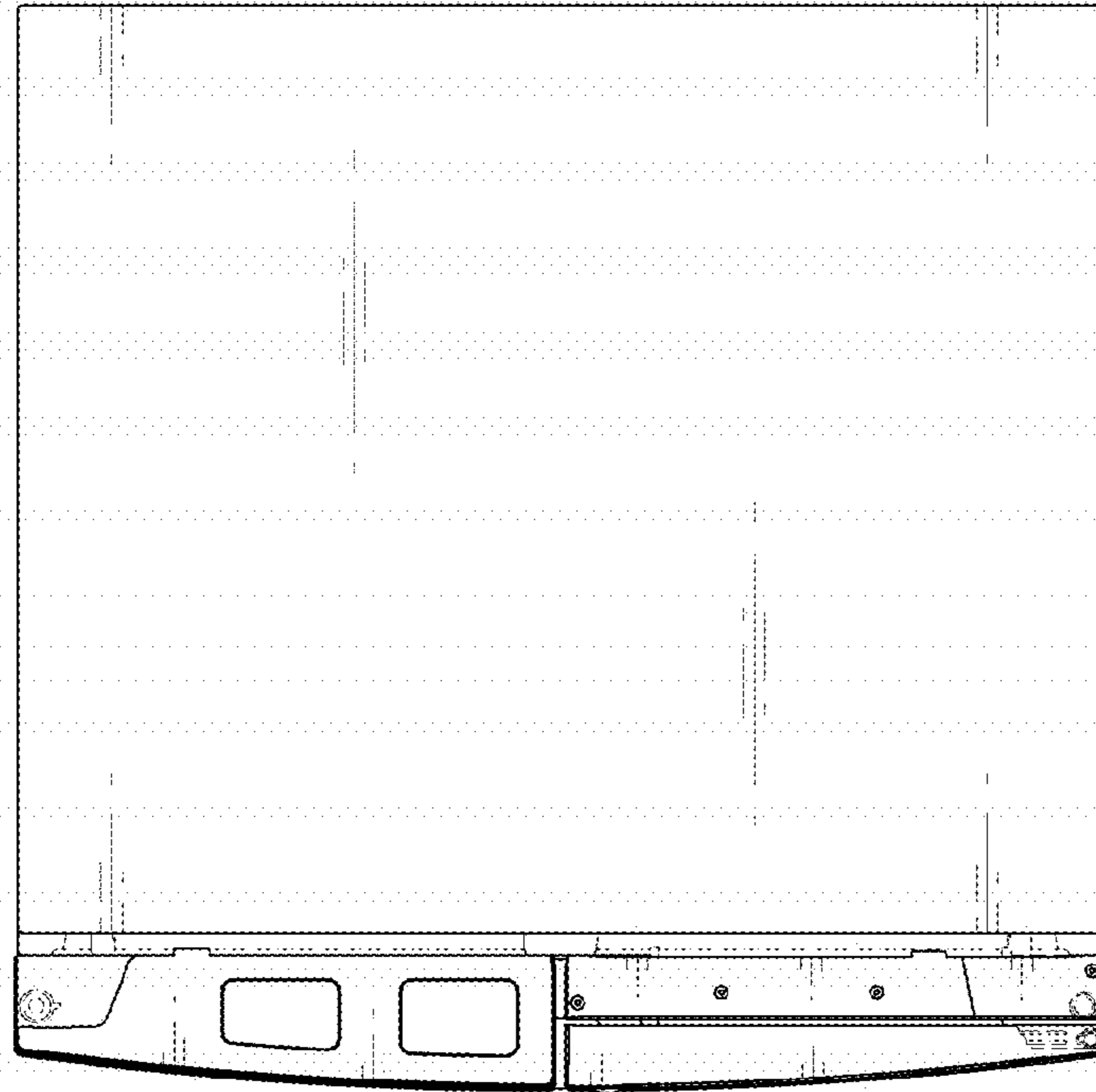


FIG. 7

