



US00D729283S

(12) **United States Design Patent**
Oka et al.

(10) **Patent No.:** **US D729,283 S**
(45) **Date of Patent:** **** May 12, 2015**

(54) **PRESSER FOOT WITH (LED) POINTER**

(71) Applicants: **Hidenori Oka**, Tokai (JP); **Toshiyuki Mamiya**, Kasugai (JP); **Kazumasa Kanbe**, Inazawa (JP)

(72) Inventors: **Hidenori Oka**, Tokai (JP); **Toshiyuki Mamiya**, Kasugai (JP); **Kazumasa Kanbe**, Inazawa (JP)

(73) Assignee: **Brother Industries, Ltd.**, Nagoya (JP)

(**) Term: **14 Years**

(21) Appl. No.: **29/457,395**

(22) Filed: **Jun. 10, 2013**

(51) **LOC (10) Cl.** **15-06**

(52) **U.S. Cl.**
USPC **D15/72**

(58) **Field of Classification Search**
CPC D05B 29/00; D05B 29/02; D05B 29/04;
D05B 29/06; D05B 29/08; D05B 29/10;
D05B 29/12
USPC D15/66, 72, 78
See application file for complete search history.

(56) **References Cited**

U.S. PATENT DOCUMENTS

3,370,559	A *	2/1968	Longcore	112/235
3,967,567	A *	7/1976	Yurkunas et al.	112/240
D243,555	S *	3/1977	Drew	D15/72
5,230,765	A *	7/1993	Weiselfish et al.	156/350
5,284,104	A *	2/1994	Hori et al.	112/102.5
D508,501	S *	8/2005	Kawaguchi	D15/78
D514,135	S *	1/2006	Kawaguchi	D15/78

* cited by examiner

Primary Examiner — Mitchell Siegel
(74) *Attorney, Agent, or Firm* — Oliff PLC

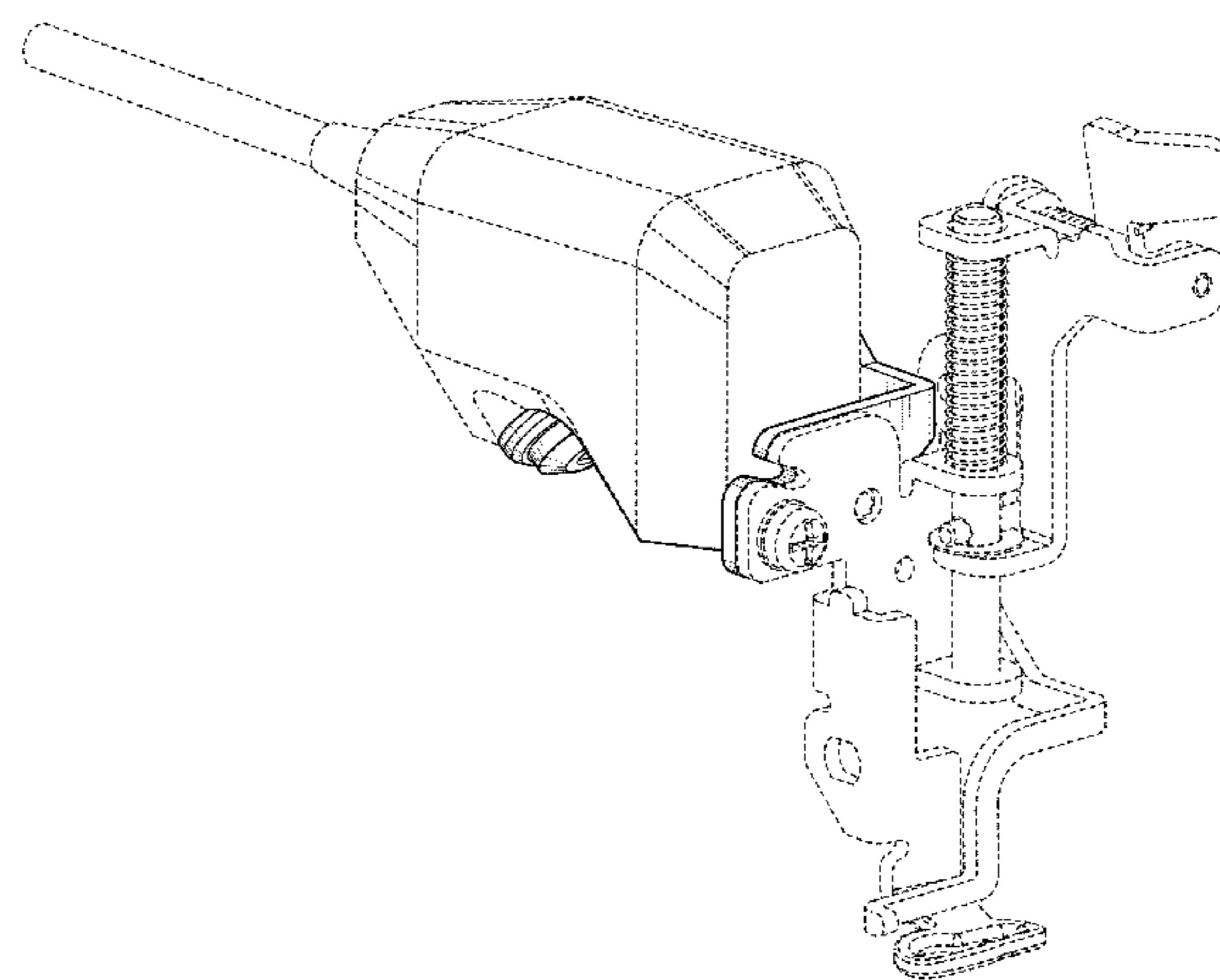
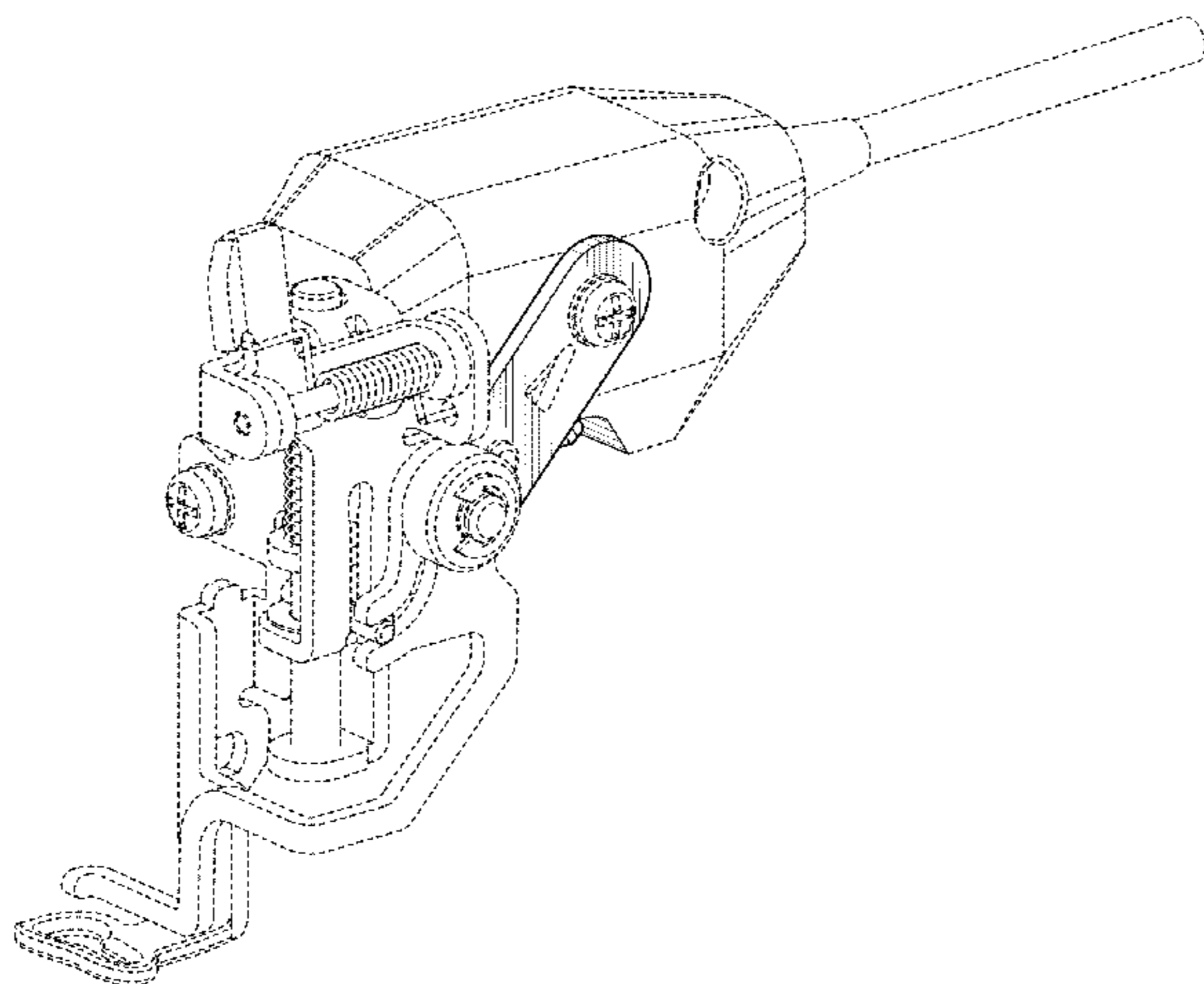
(57) **CLAIM**

The ornamental design for a presser foot with (LED) pointer, as shown and described.

DESCRIPTION

FIG. 1 is a perspective view of a presser foot with (LED) pointer;
FIG. 2 is a second perspective view thereof;
FIG. 3 is a front view thereof;
FIG. 4 is a top view thereof;
FIG. 5 is a right-side view thereof;
FIG. 6 is a left-side view thereof;
FIG. 7 is a rear view thereof; and,
FIG. 8 is a bottom view thereof.
The broken lines depict environmental subject matter only and form no part of the claimed design.

1 Claim, 8 Drawing Sheets



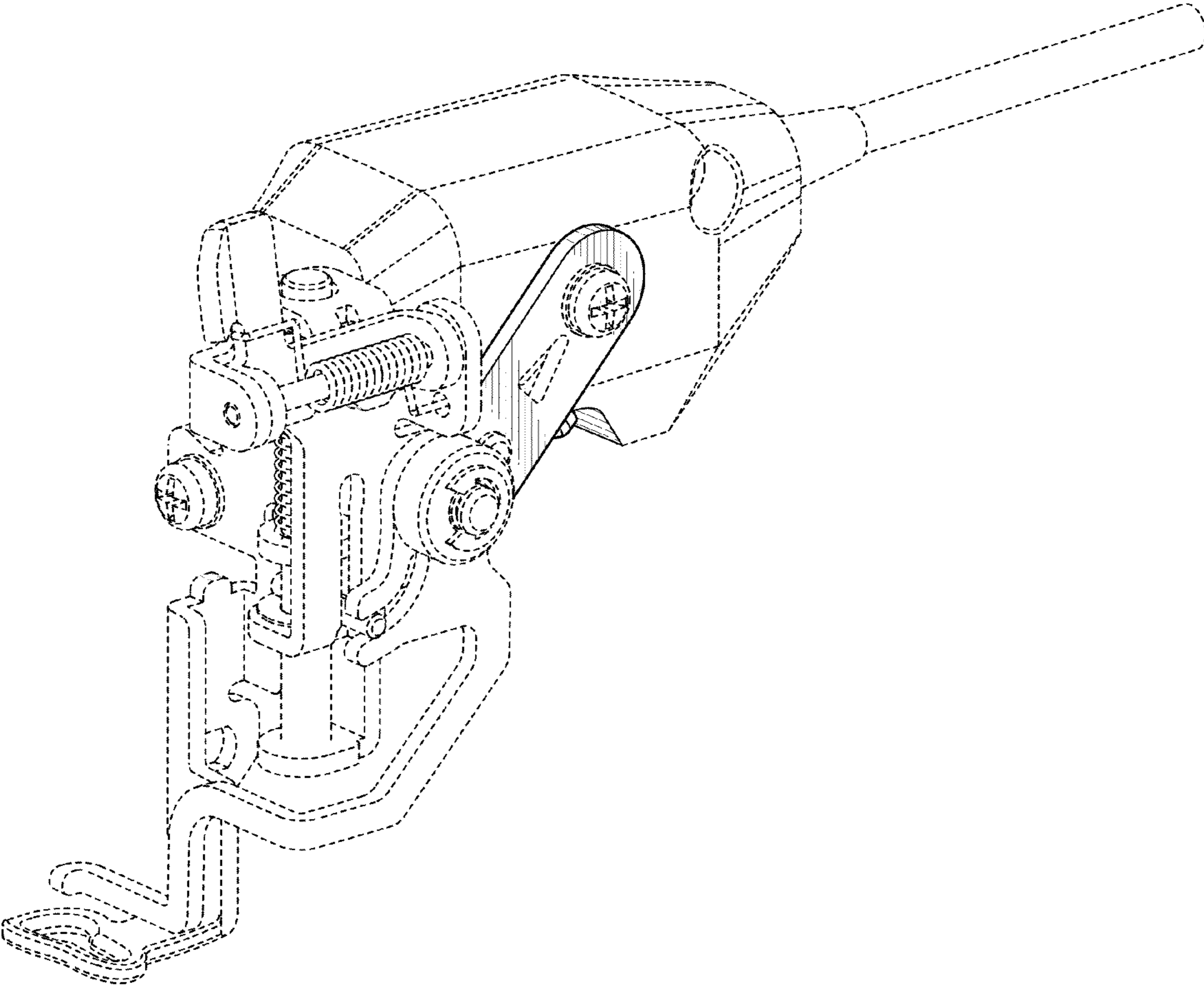


FIG. 1

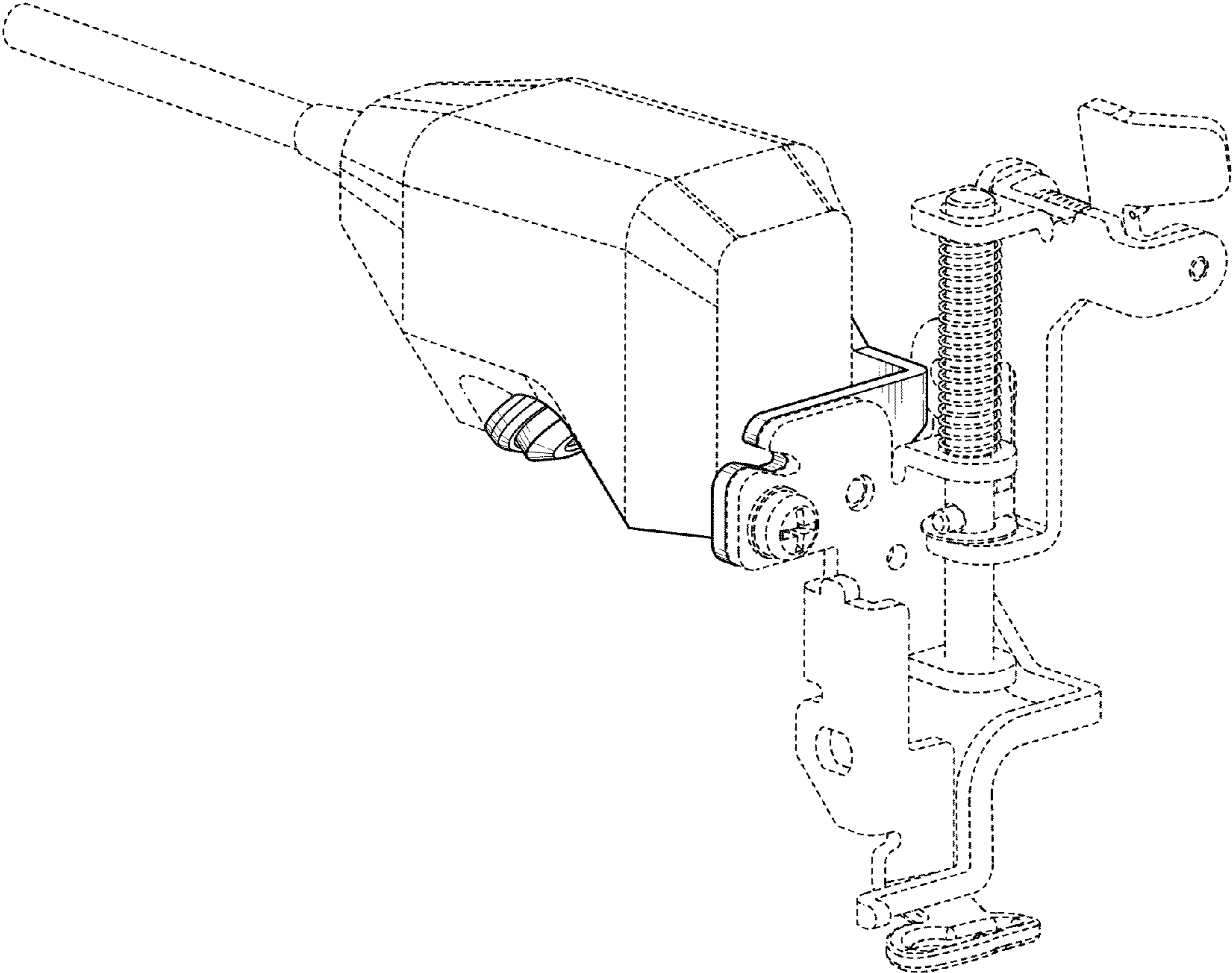


FIG. 2

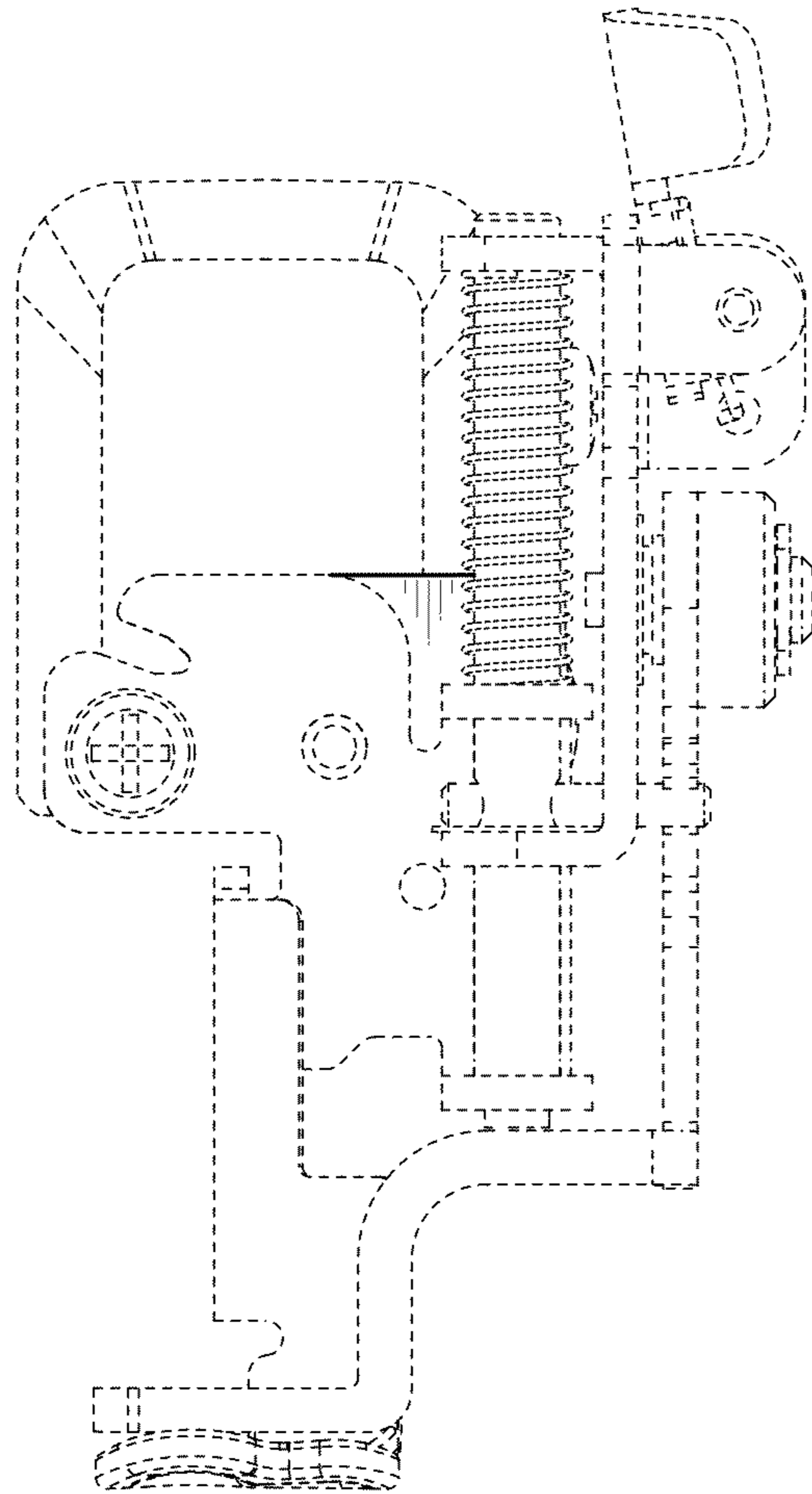


FIG. 3

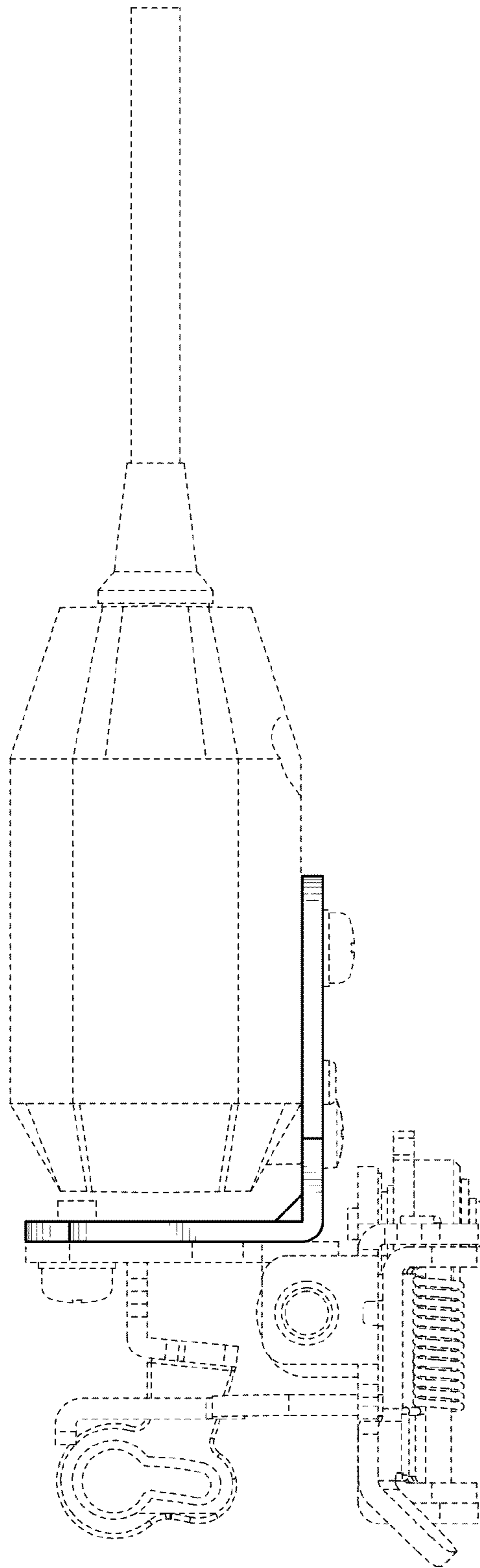


FIG. 4

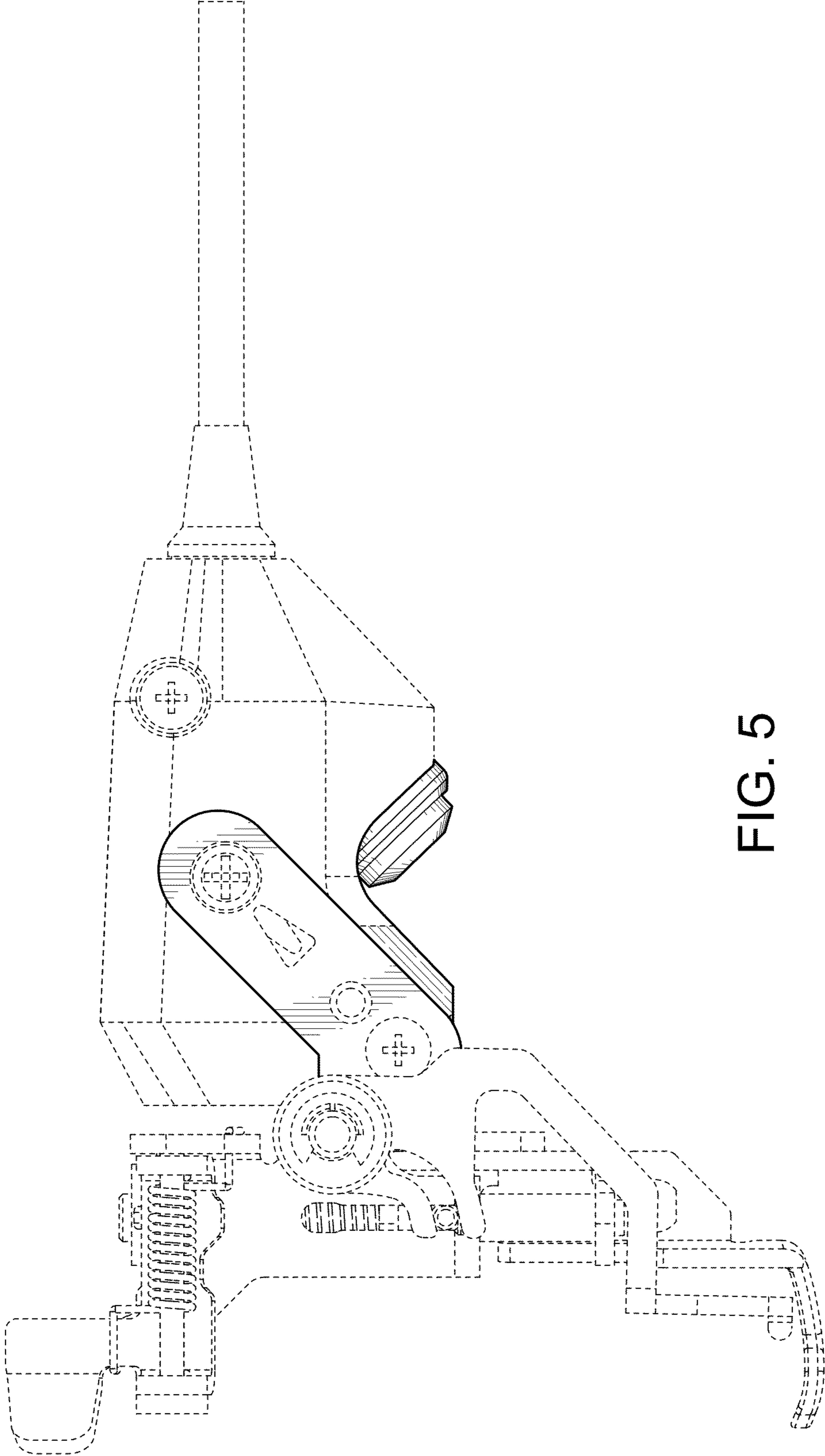


FIG. 5

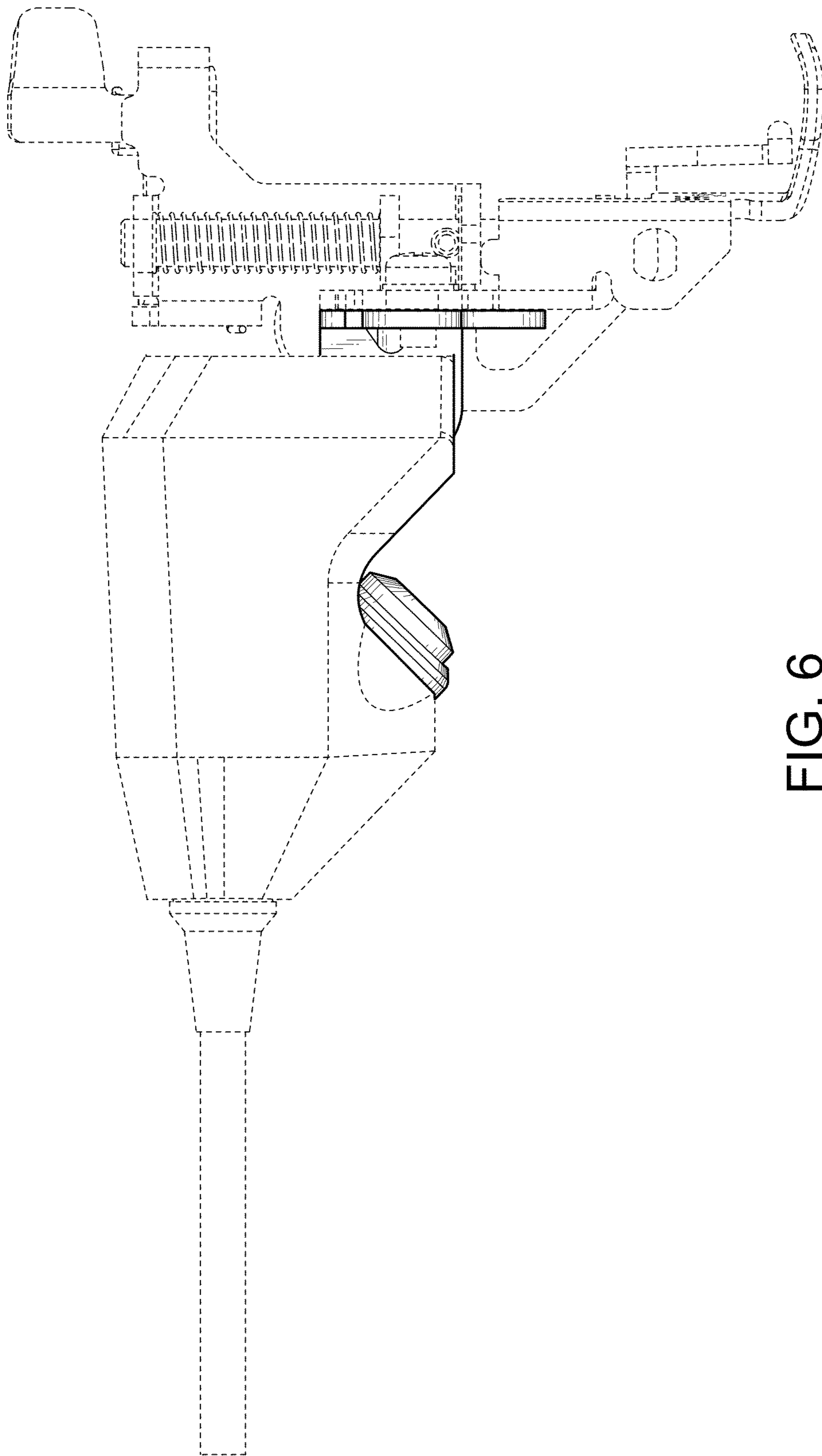


FIG. 6

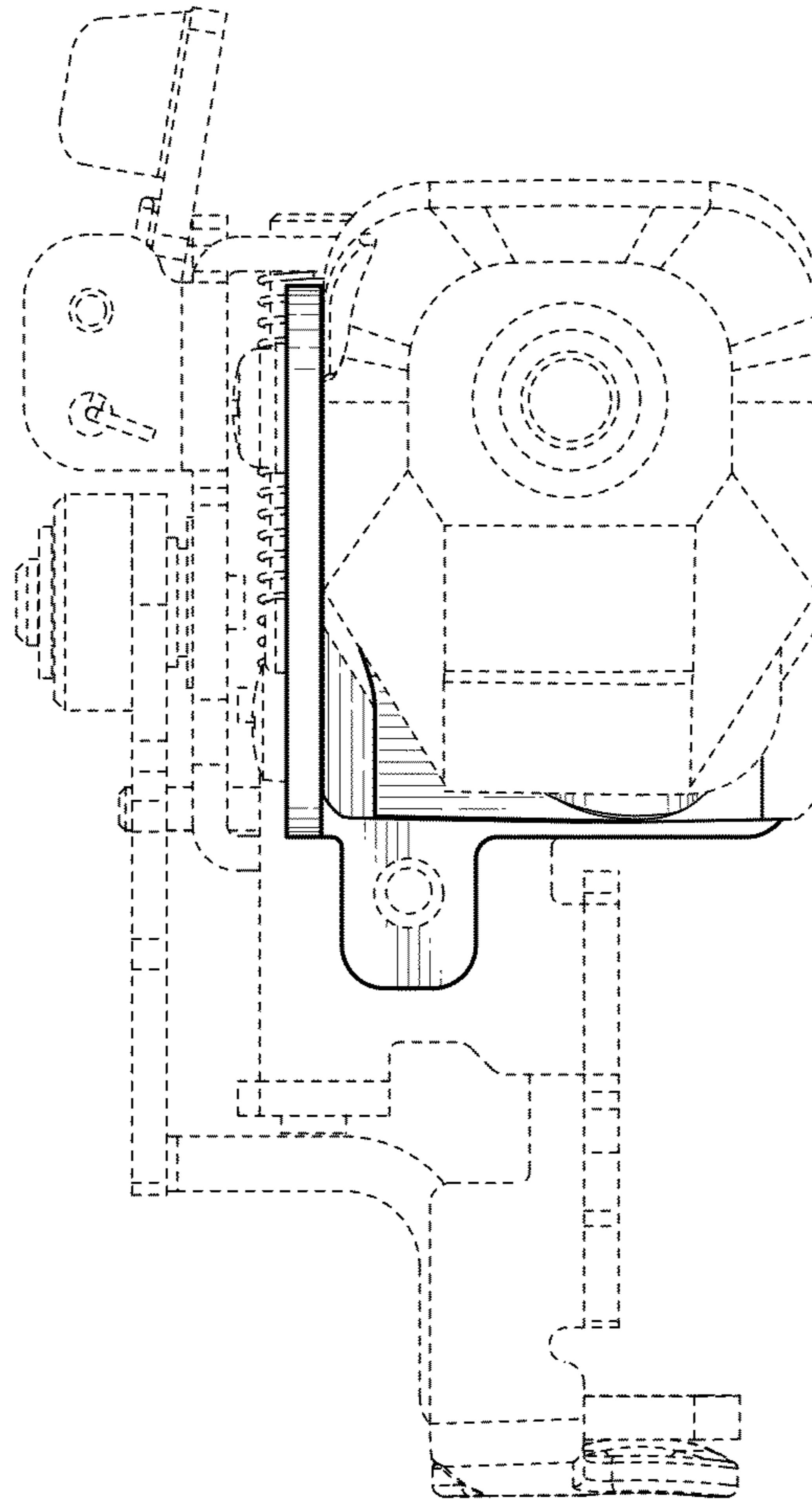


FIG. 7

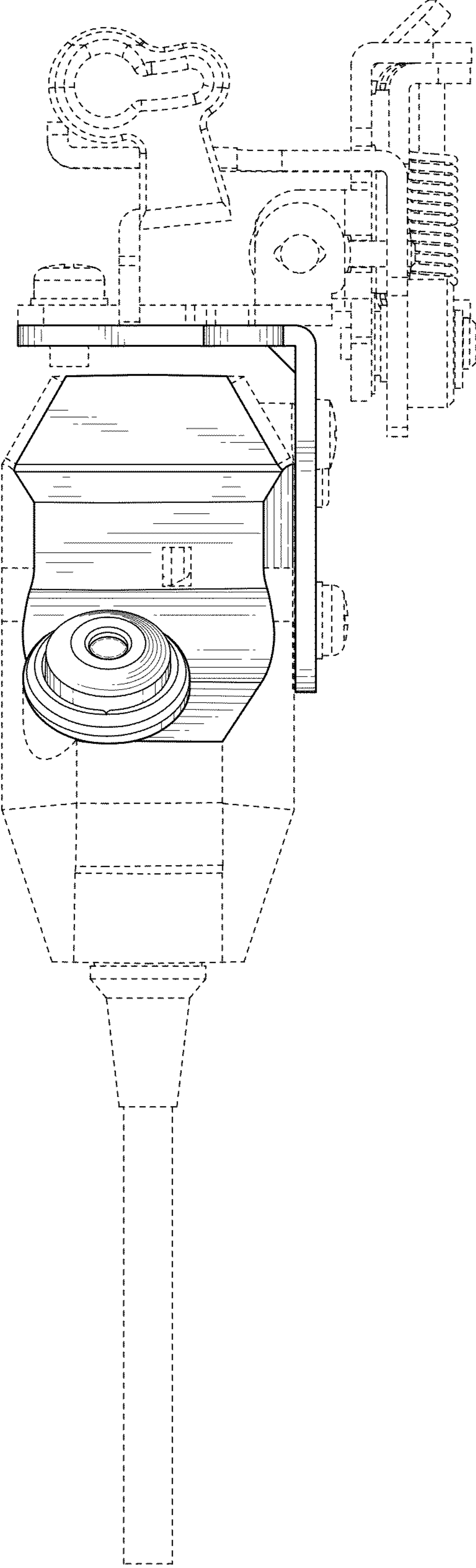


FIG. 8