



US00D729278S

(12) **United States Design Patent**
Blythe et al.

(10) **Patent No.:** **US D729,278 S**

(45) **Date of Patent:** **** May 12, 2015**

(54) **TURBOCHARGER**

(75) Inventors: **Neil Xavier Blythe**, Lawrence Park, PA (US); **Daniel Edward Loring**, Lawrence Park, PA (US); **Lukas William Johnson**, Lawrence Park, PA (US); **Milan Shah**, Lawrence Park, PA (US)

(73) Assignee: **General Electric Company**, Schenectady, NY (US)

(**) Term: **14 Years**

(21) Appl. No.: **29/427,967**

(22) Filed: **Jul. 24, 2012**

(51) **LOC (10) Cl.** **15-01**

(52) **U.S. Cl.**
USPC **D15/5**

(58) **Field of Classification Search**
USPC D15/1-6; 123/58.7, 383, 528, 559.1, 123/559.3, 560, 562, 565, 566, 73 S; 415/145; 60/605.1, 612; D12/164, 172
See application file for complete search history.

(56) **References Cited**

U.S. PATENT DOCUMENTS

2,653,591	A *	9/1953	Cole et al.	123/195 R
2,667,298	A *	1/1954	Wells	123/562
3,077,296	A *	2/1963	Ping, Jr.	415/180
4,179,247	A *	12/1979	Osborn	417/406
4,521,155	A *	6/1985	Osborn	415/190
D285,570	S *	9/1986	McInerney	D15/5
4,617,799	A *	10/1986	Todokoro et al.	60/602
5,471,965	A *	12/1995	Kapich	123/565
5,673,559	A *	10/1997	Benson	60/602
6,089,019	A *	7/2000	Roby et al.	60/605.2
6,419,464	B1 *	7/2002	Arnold	417/407
8,439,020	B1 *	5/2013	Carlson et al.	123/559.1

2004/0040300	A1 *	3/2004	Klingel	60/612
2005/0066657	A1 *	3/2005	Zollinger et al.	60/602
2005/0217266	A1 *	10/2005	Noelle	60/602
2007/0186551	A1 *	8/2007	Ante et al.	60/605.1
2010/0024414	A1 *	2/2010	Hittle et al.	60/602
2010/0175377	A1 *	7/2010	Hippen et al.	60/602
2012/0279215	A1 *	11/2012	Roth et al.	60/599
2013/0129502	A1 *	5/2013	Schaefer	415/214.1
2014/0060039	A1 *	3/2014	Powers et al.	60/599
2014/0093364	A1 *	4/2014	Narehood et al.	415/191
2014/0169946	A1 *	6/2014	Stilgenbauer et al.	415/144
2014/0186174	A1 *	7/2014	Malfa	415/220
2014/0271234	A1 *	9/2014	Markyvech et al.	417/45
2015/0000270	A1 *	1/2015	Lombard et al.	60/602
2015/0000272	A1 *	1/2015	Balsley, II	60/605.1

* cited by examiner

Primary Examiner — T. Chase Nelson

Assistant Examiner — Ania Aman

(74) *Attorney, Agent, or Firm* — GE Global Patent Operation; John A. Kramer

(57) **CLAIM**

The ornamental design for a turbocharger, as shown and described.

DESCRIPTION

FIG. 1 is a perspective view of an ornamental design for a turbocharger, according to the invention.

FIG. 2 is a front view of the turbocharger of FIG. 1.

FIG. 3 is a back view of the turbocharger of FIG. 1.

FIG. 4 is a left view of the turbocharger of FIG. 1.

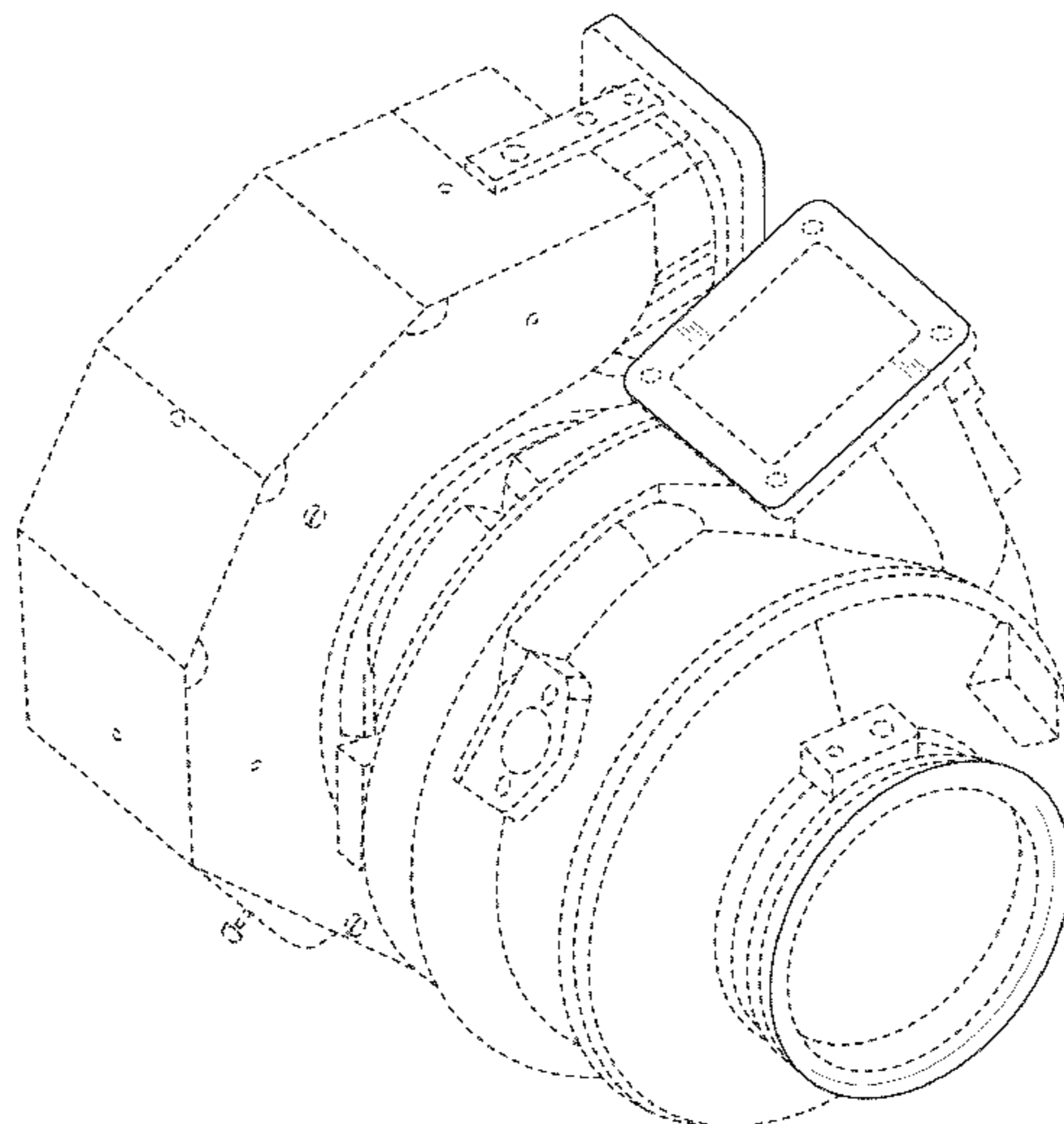
FIG. 5 is a right view of the turbocharger of FIG. 1.

FIG. 6 is a top view of the turbocharger of FIG. 1; and,

FIG. 7 is a bottom view of the turbocharger of FIG. 1.

The broken lines shown in the drawings are for the purpose of illustrating portions of the article that form no part of the claimed design.

1 Claim, 4 Drawing Sheets



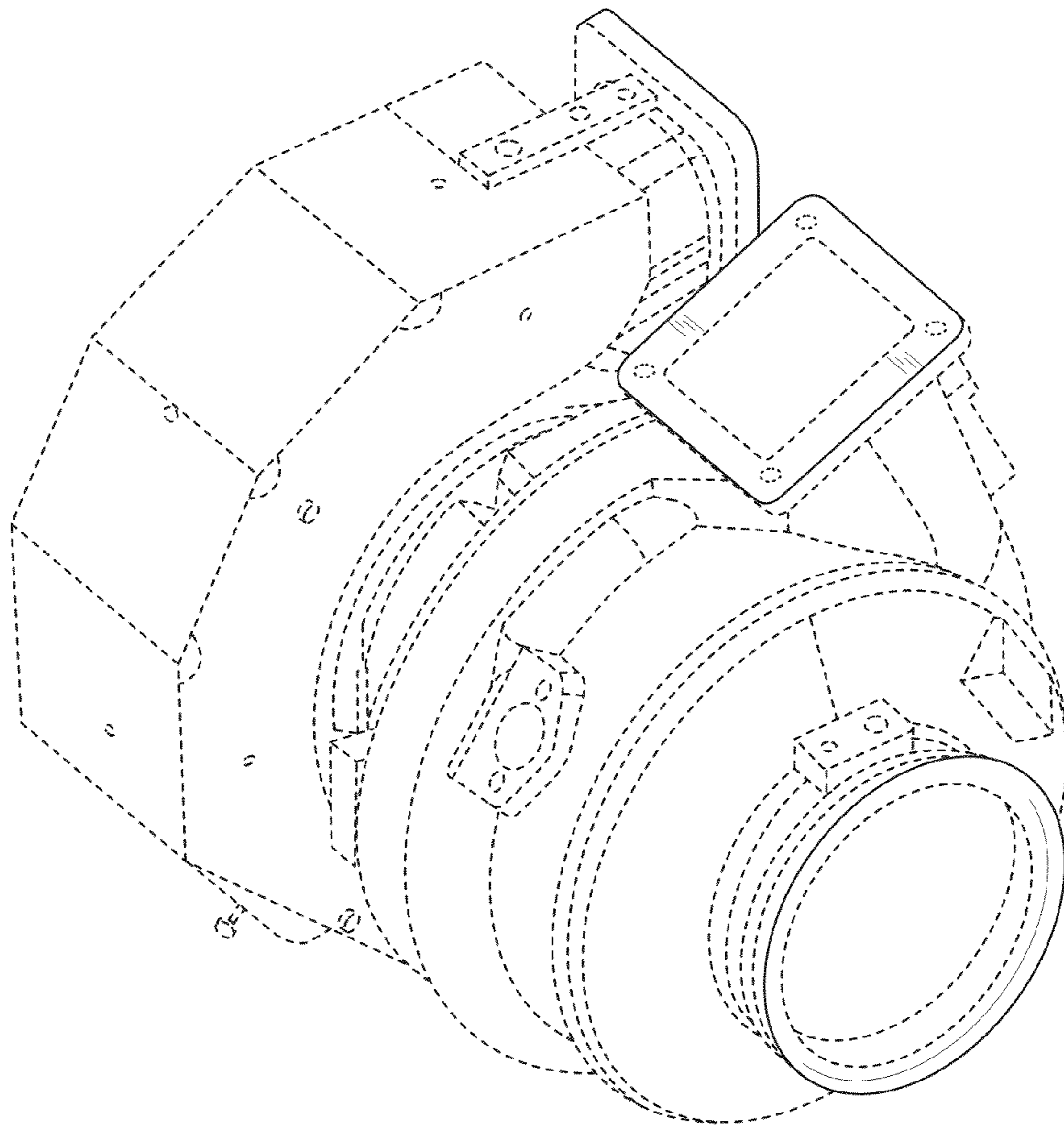


FIG. 1

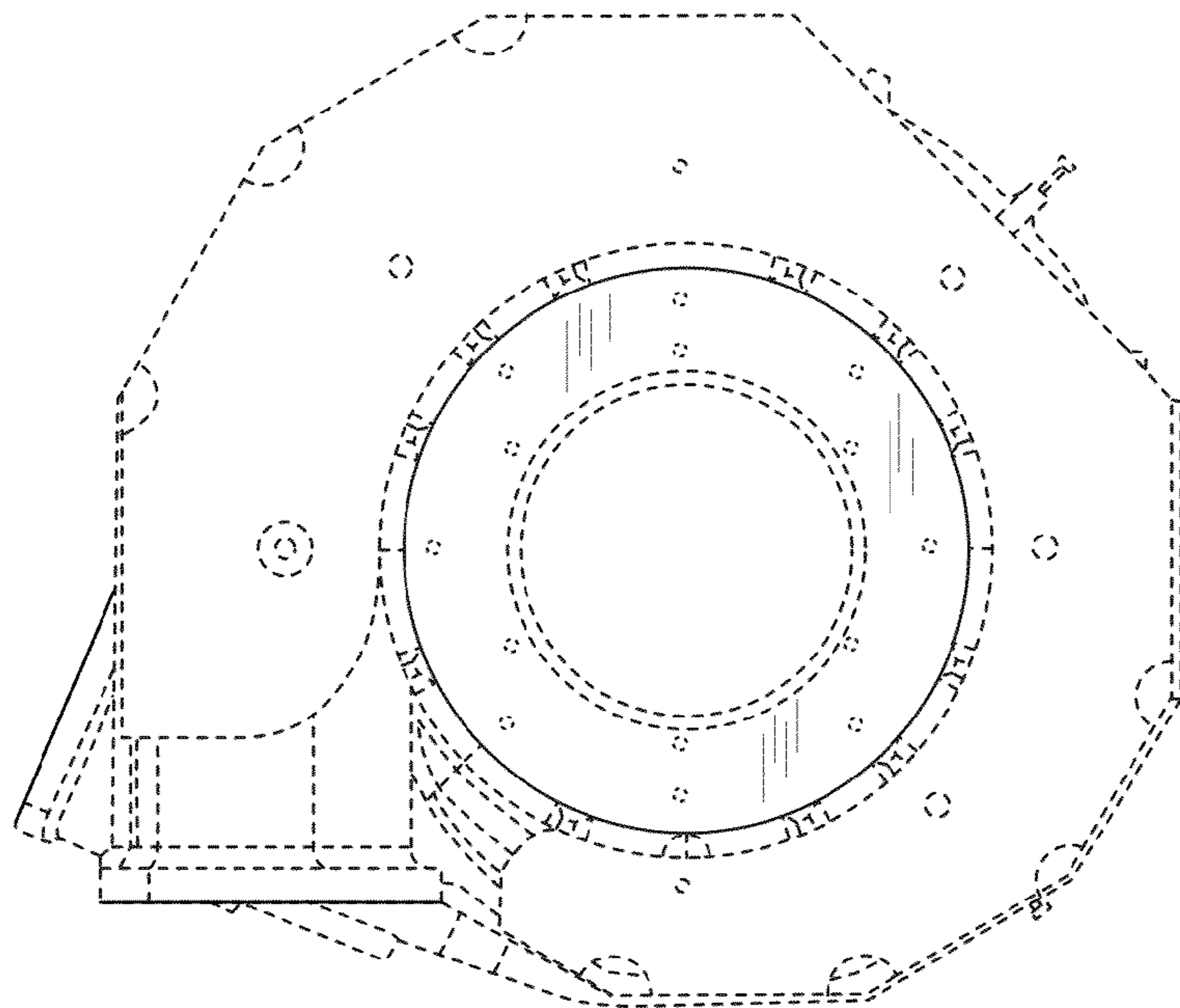


FIG. 3

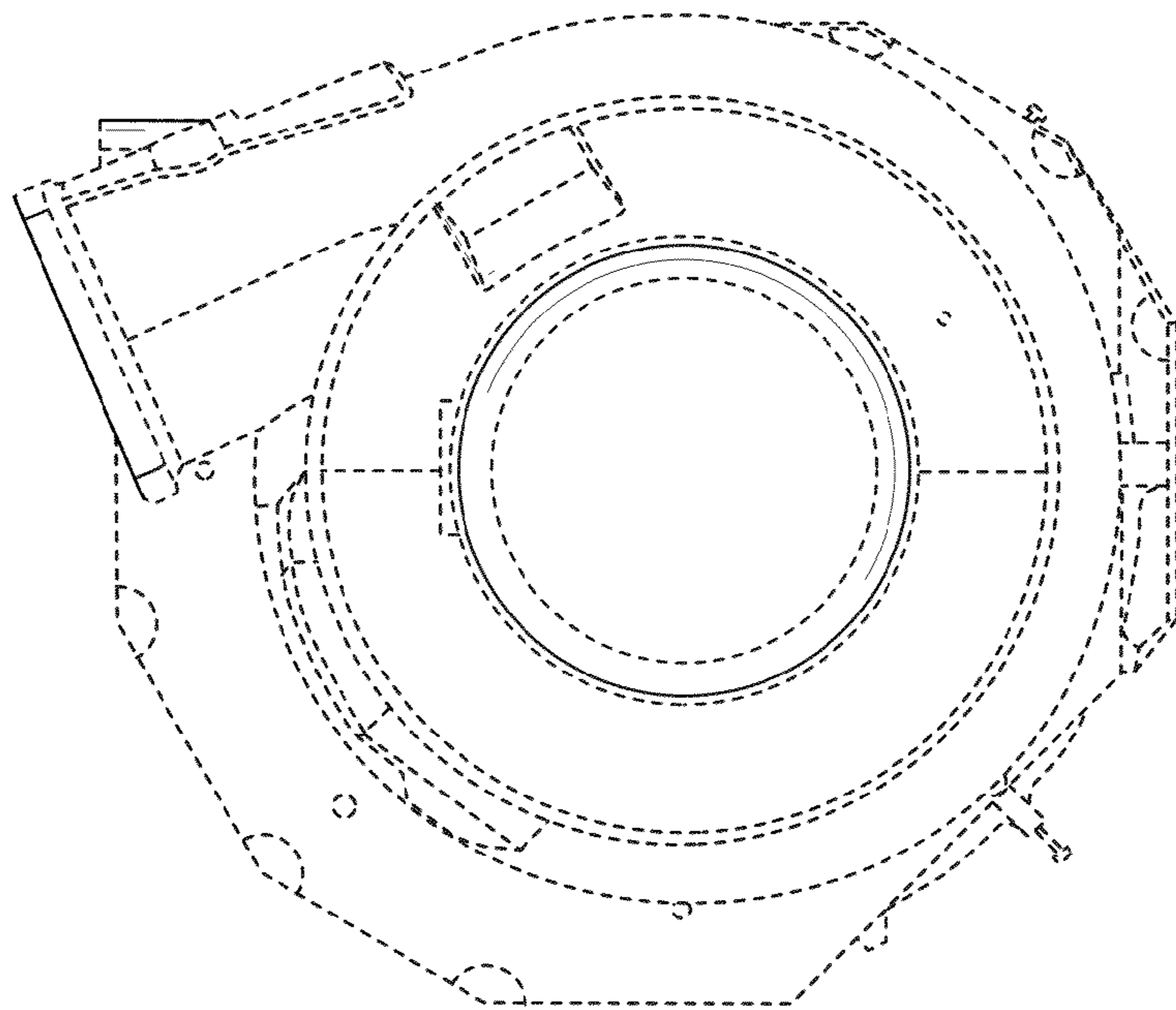


FIG. 2

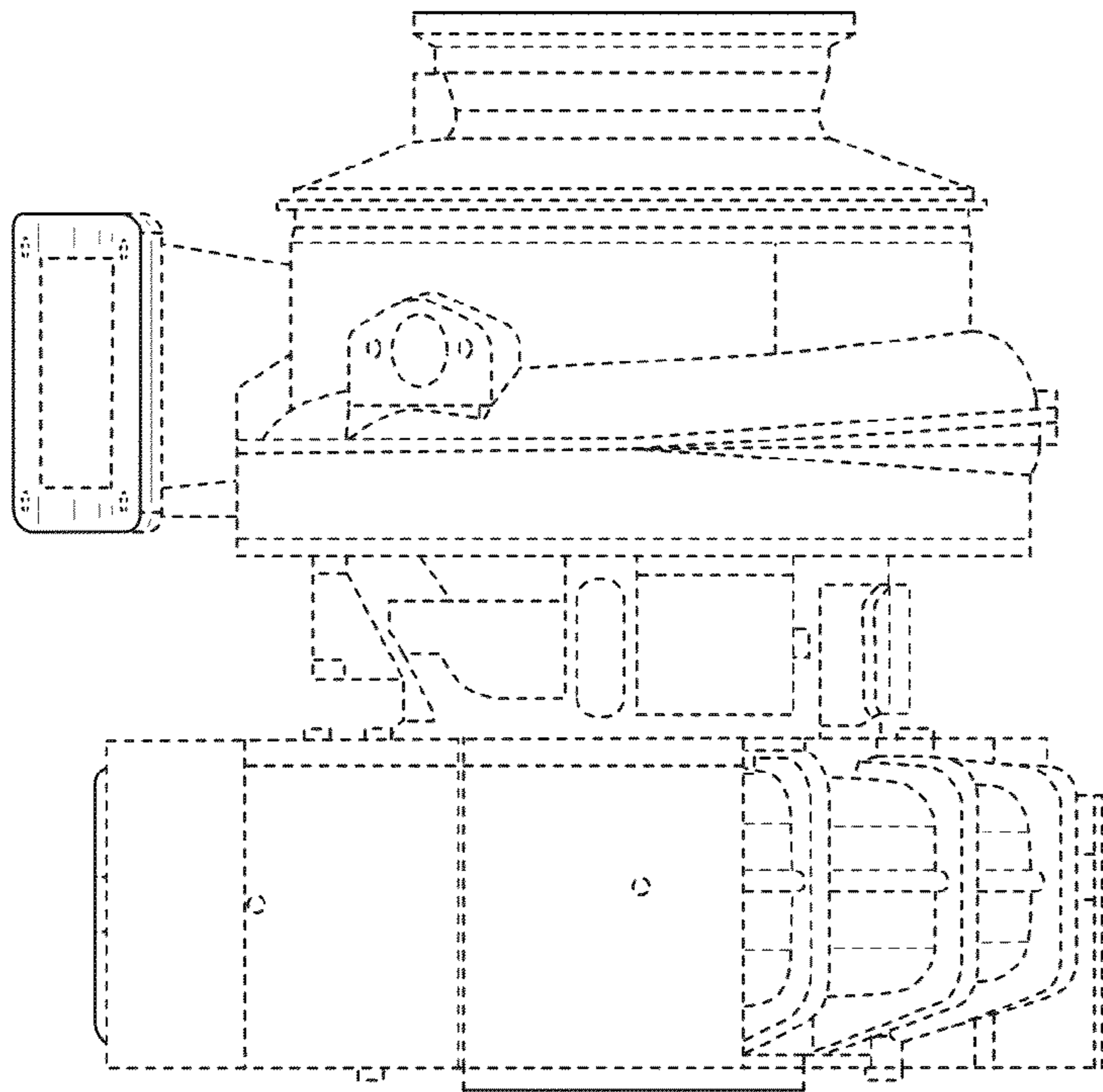


FIG. 5

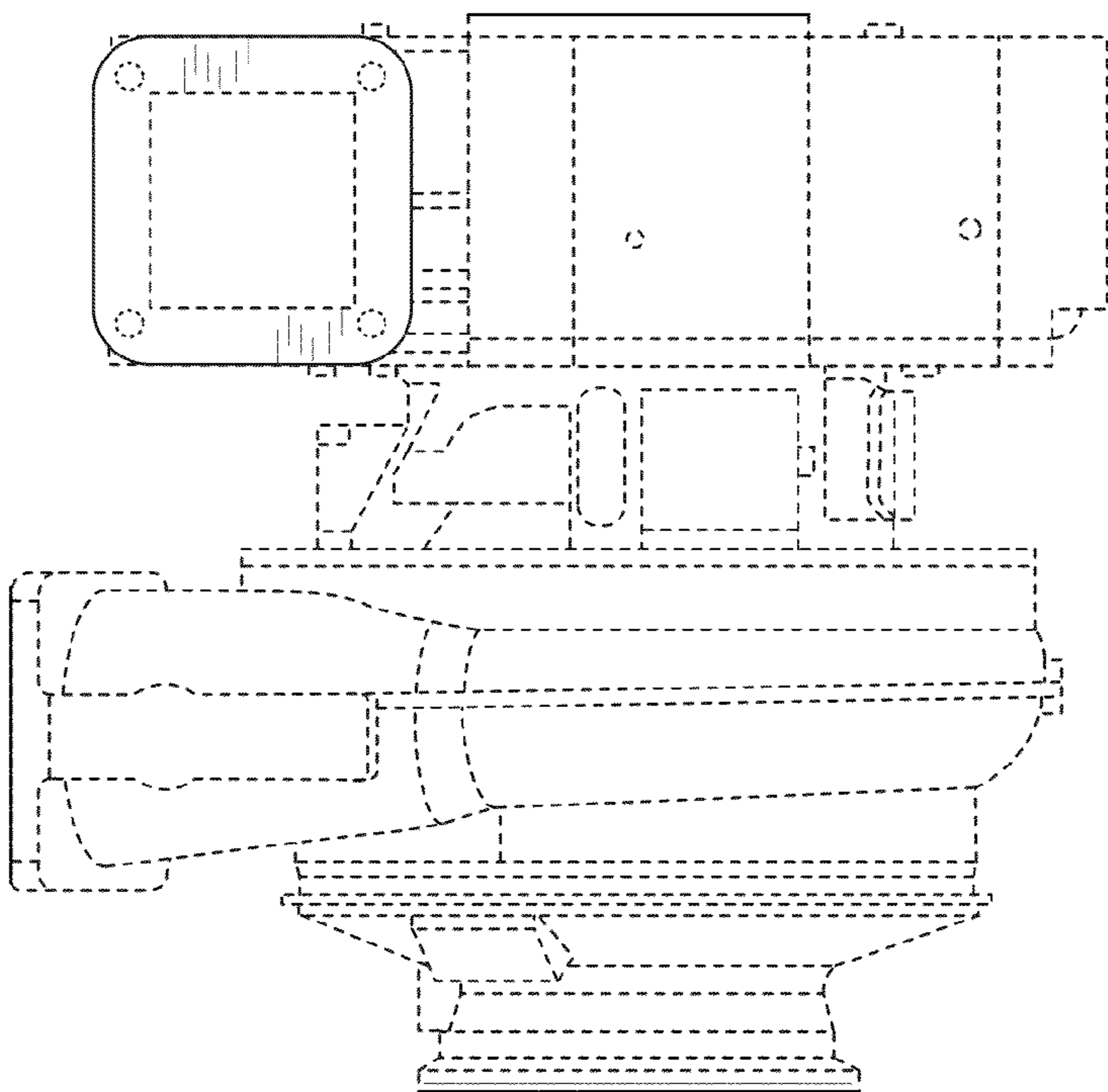


FIG. 4

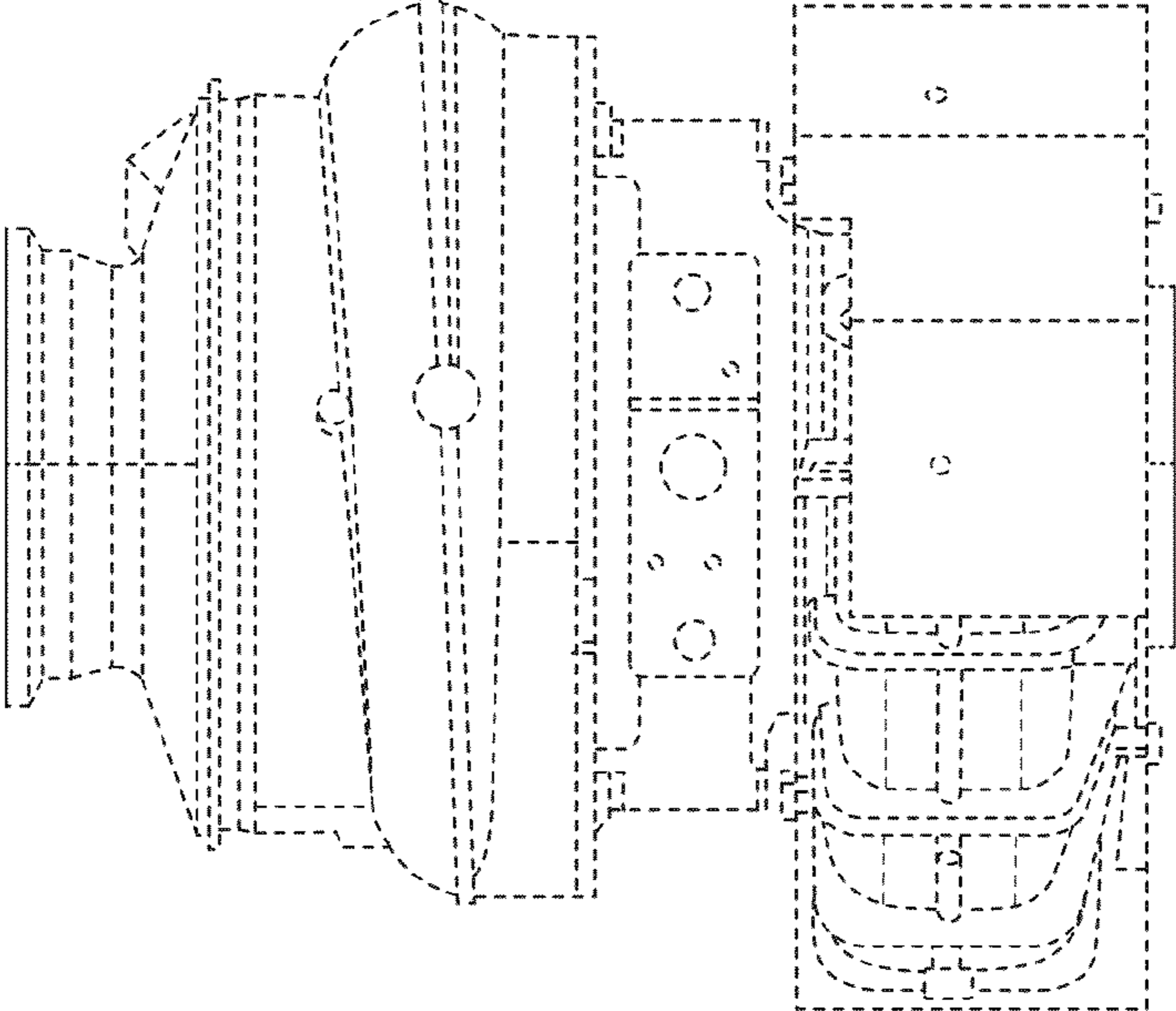


FIG. 6

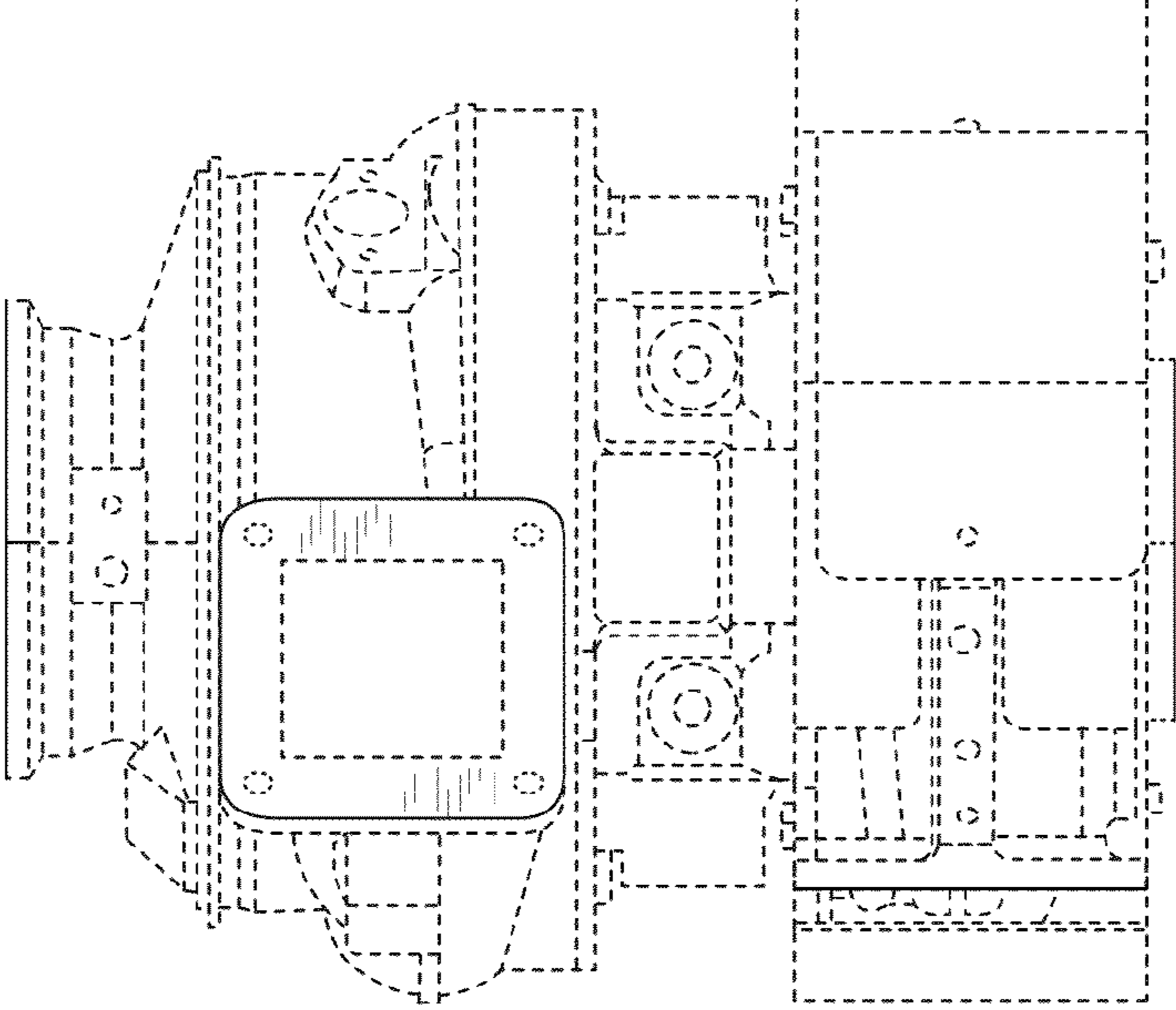


FIG. 7