



US00D729277S

(12) **United States Design Patent**
Uchida

(10) **Patent No.:** **US D729,277 S**
(45) **Date of Patent:** **** May 12, 2015**

(54) **RECORDING MEDIUM**

(71) Applicant: **Kabushiki Kaisha Toshiba**, Minato-ku,
Tokyo (JP)

(72) Inventor: **Satoshi Uchida**, Tokyo (JP)

(73) Assignee: **Kabushiki Kaisha Toshiba**, Tokyo (JP)

(**) Term: **14 Years**

(21) Appl. No.: **29/484,400**

(22) Filed: **Mar. 10, 2014**

(30) **Foreign Application Priority Data**

Sep. 11, 2013 (JP) 2013-020963

(51) **LOC (10) Cl.** **14-03**

(52) **U.S. Cl.**
USPC **D14/496; D14/435.1**

(58) **Field of Classification Search**
CPC H01R 12/00; H01R 12/50; G06F 13/00;
G06F 13/10; G06F 13/12
USPC D14/496, 483, 156-158, 135, 136,
D14/160-165, 217, 356-358, 370, 435.1;
273/148 B; 462/1, 46, 47; 439/55, 62,
439/79, 76.1, 660; 710/8.13, 62-64, 72-74
See application file for complete search history.

(56) **References Cited**

U.S. PATENT DOCUMENTS

D463,426 S 9/2002 Cheng
6,671,808 B1 * 12/2003 Abbott et al. 726/4
6,744,634 B2 * 6/2004 Yen 361/752
6,807,591 B2 * 10/2004 Kao 710/74
7,052,287 B1 * 5/2006 Ni et al. 439/76.1
7,070,425 B2 * 7/2006 Regen et al. 439/131
7,074,052 B1 * 7/2006 Ni et al. 439/76.1
D538,297 S * 3/2007 Ching D14/203.3

D539,813 S * 4/2007 Chen D14/203.3
D555,171 S * 11/2007 Dai D14/496
D555,665 S * 11/2007 Yeo et al. D14/496
D558,783 S * 1/2008 Andre et al. D14/496
D669,899 S * 10/2012 Cheng D14/435.1

FOREIGN PATENT DOCUMENTS

CN 302308564 1/2013
CN 302350782 3/2013

(Continued)

Primary Examiner — Prabhakar Deshmukh

(74) *Attorney, Agent, or Firm* — Banner & Witcoff, Ltd.

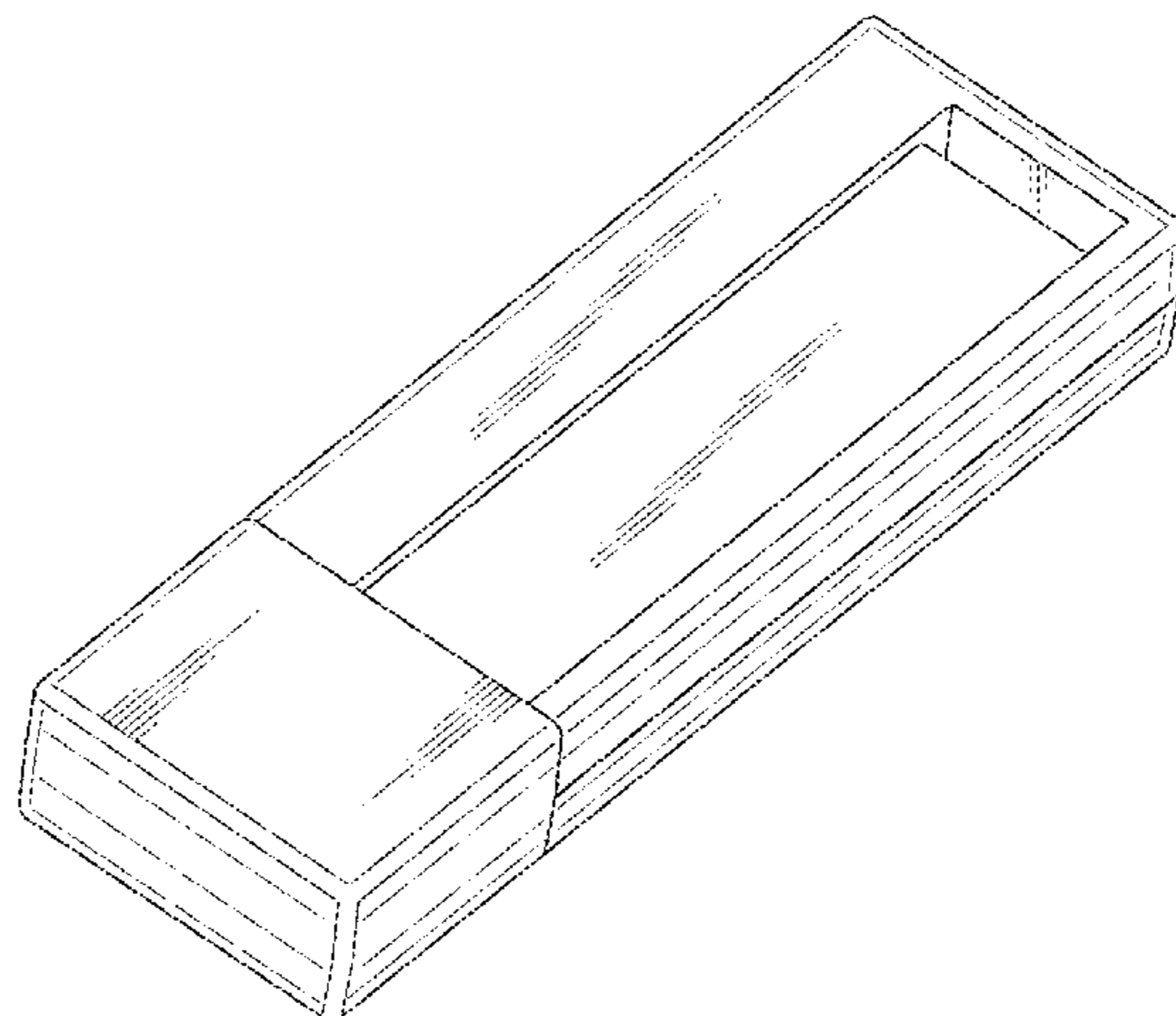
(57) **CLAIM**

The ornamental design for a recording medium, as shown and described.

DESCRIPTION

FIG. 1 is a perspective view of a recording medium, showing my new design;
FIG. 2 is a perspective view thereof in a state in which a cap is attached to the back part of the body;
FIG. 3 is a front elevational view thereof; the rear view being symmetrical;
FIG. 4 is a top plan view thereof, the bottom being identical;
FIG. 5 is a left side elevational view thereof;
FIG. 6 is a right side elevational view thereof;
FIG. 7 is a left side elevational view thereof with the cap in a removed state;
FIG. 8 is a cross sectional view thereof, taken along the line 8-8 in FIG. 3;
FIG. 9 is a cross sectional view thereof, taken along the line 9-9 in FIG. 4; and,
FIG. 10 is a cross sectional view thereof, taken along the line 10-10 in FIG. 3.
The broken lines shown in FIG. 8, FIG. 9 and FIG. 10 are for environmental purposes only and form no part of the claimed design.

1 Claim, 4 Drawing Sheets



(56)	References Cited			
		JP	1305377	7/2007
		JP	1316376	12/2007
		KR	30-0350192	5/2004
	FOREIGN PATENT DOCUMENTS			
CN	302361463	3/2013		* cited by examiner

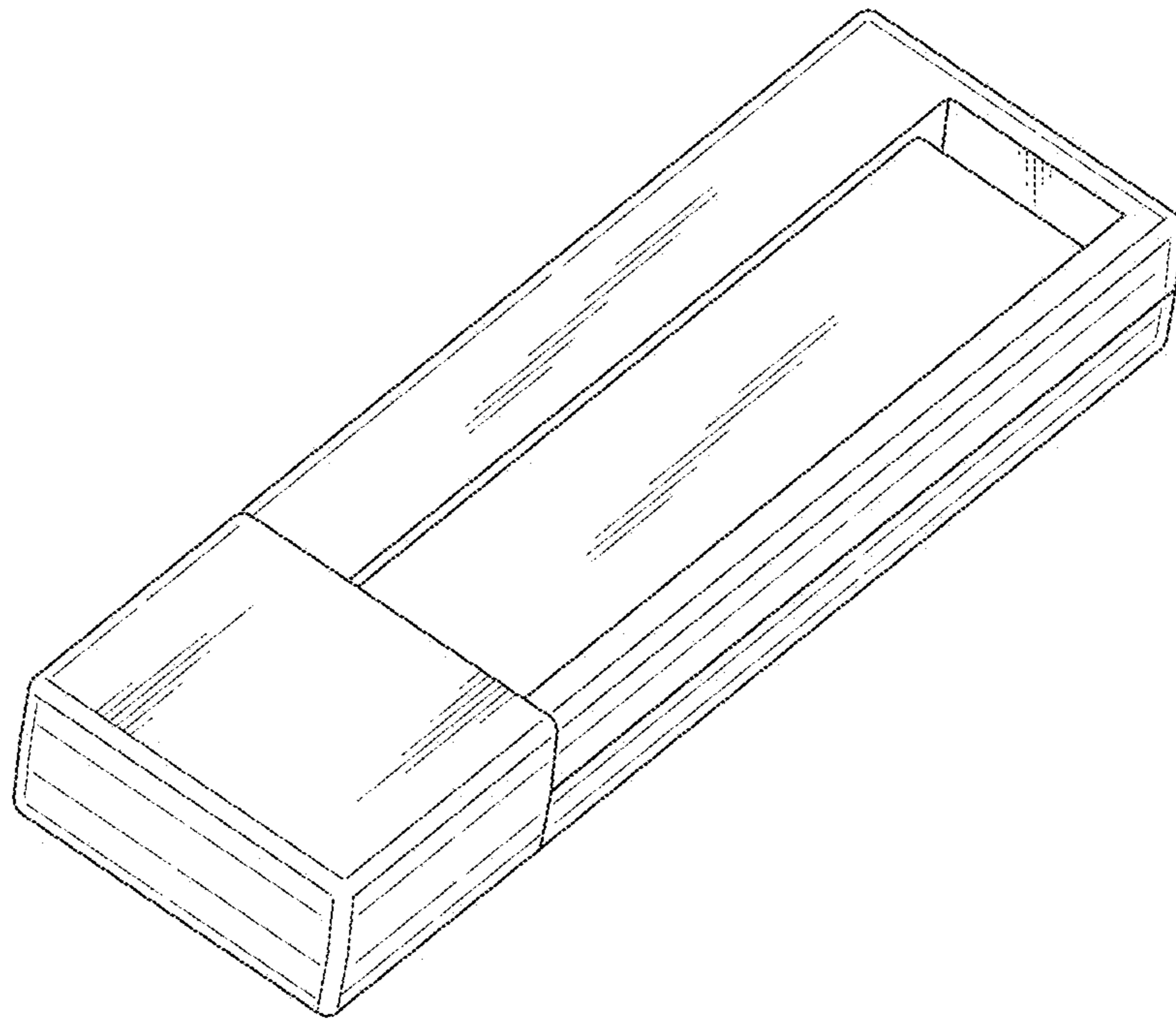


Fig. 1

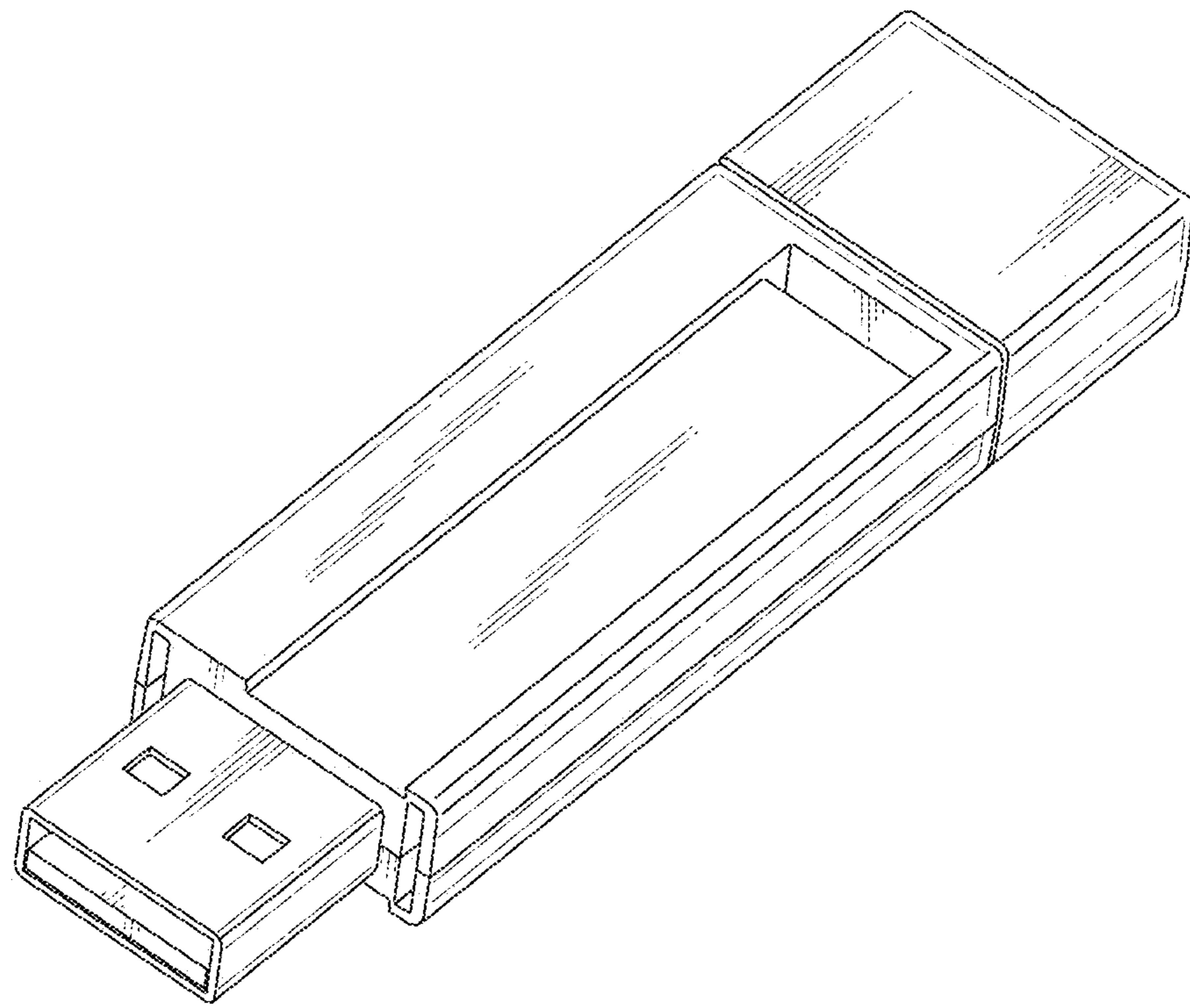


Fig. 2

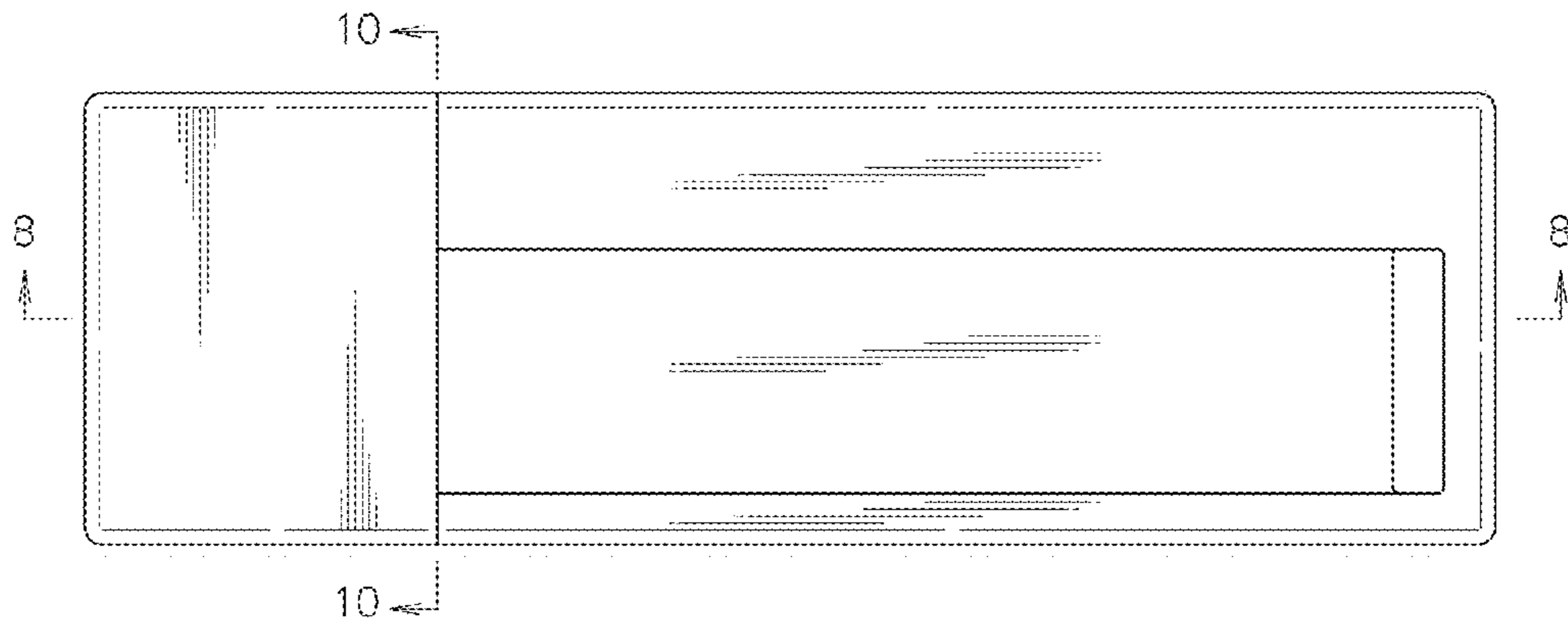


Fig. 3

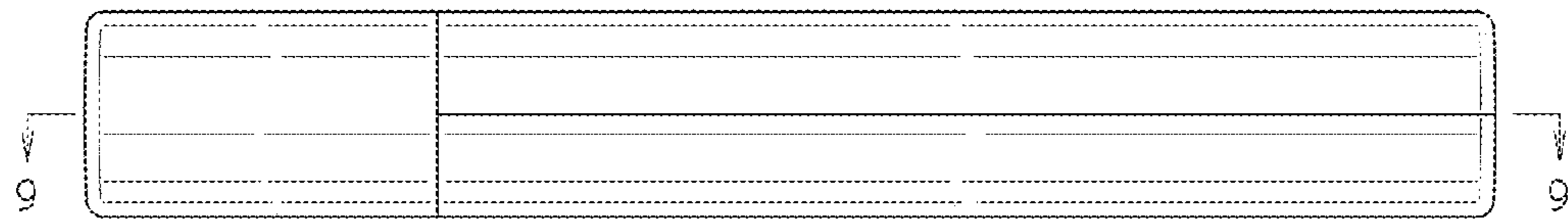


Fig. 4

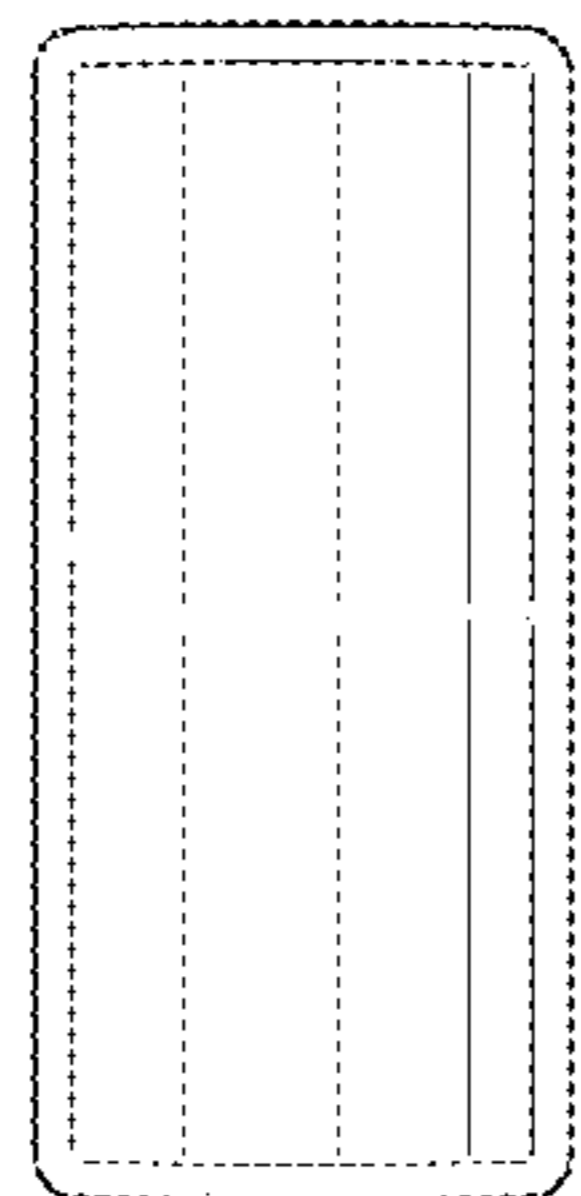


Fig. 5

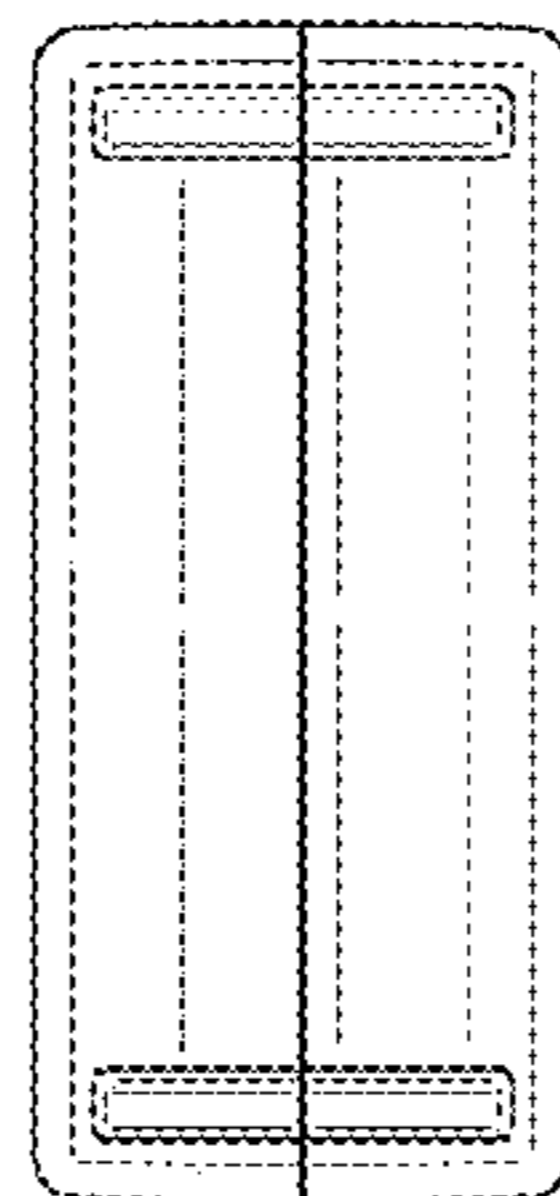


Fig. 6

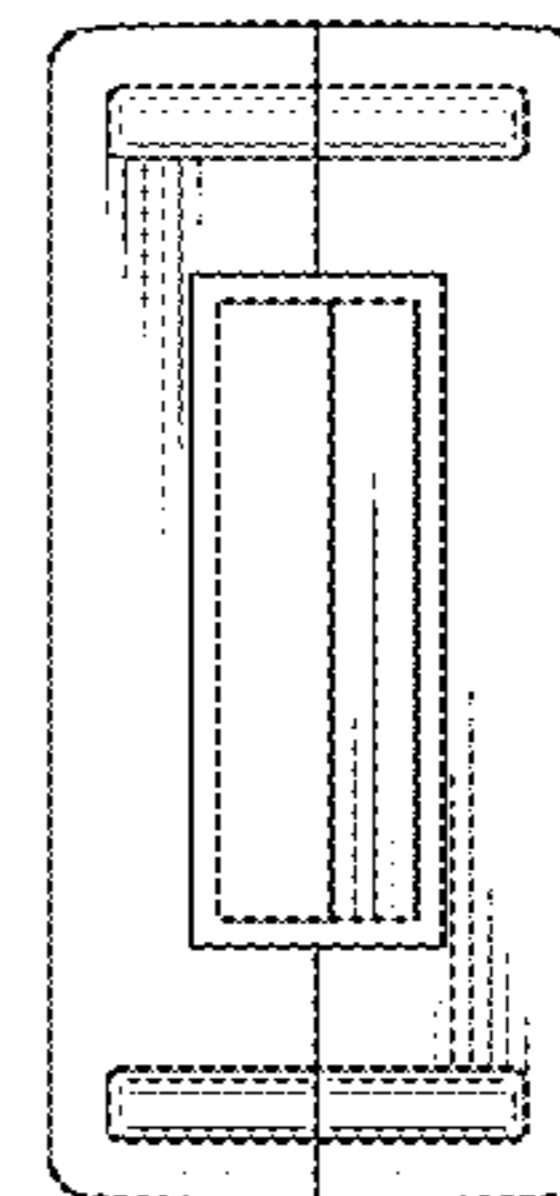


Fig. 7

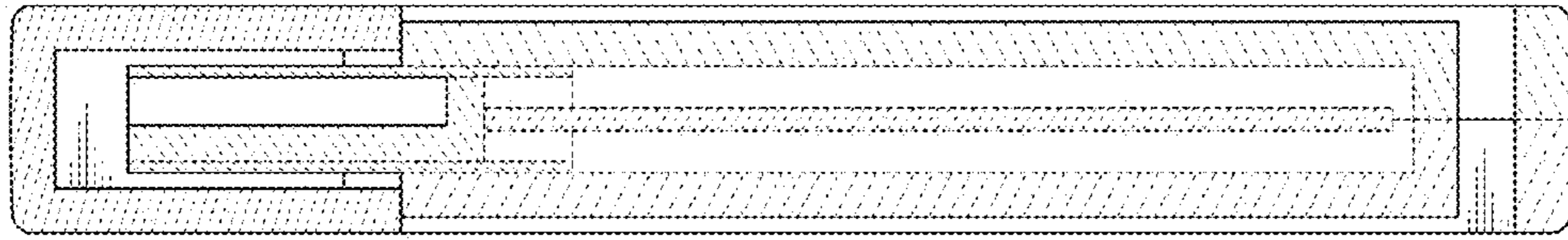


Fig. 8

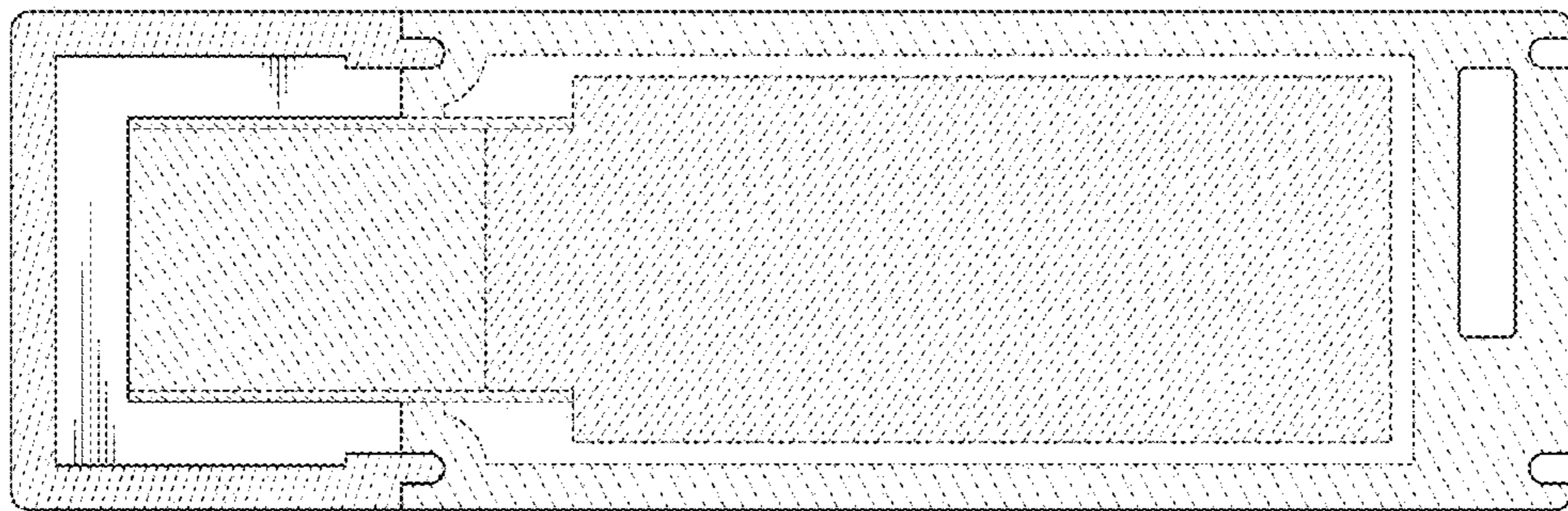


Fig. 9

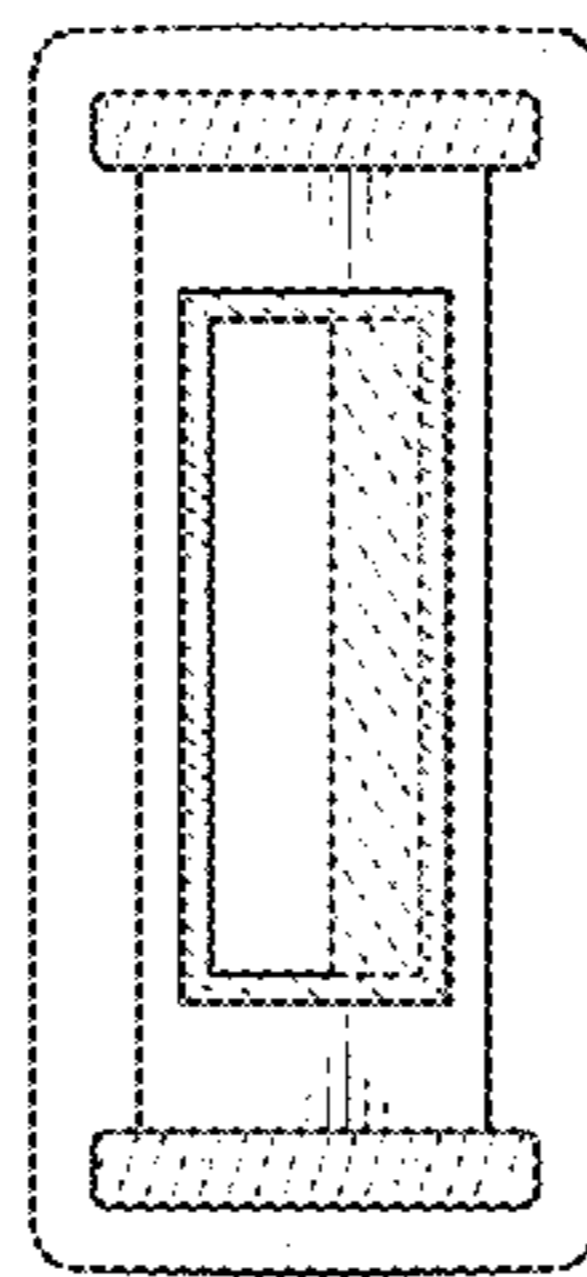


Fig. 10