



US00D729258S

(12) **United States Design Patent**  
**Lee et al.**

(10) **Patent No.:** **US D729,258 S**  
(45) **Date of Patent:** **\*\* May 12, 2015**

(54) **KEYBOARD FOR MOBILE COMMUNICATION TERMINAL**

(56) **References Cited**

U.S. PATENT DOCUMENTS

D462,354 S *	9/2002	Kimbire et al.	.....	D14/392
D480,726 S *	10/2003	Yokota	.....	D14/396
D516,080 S *	2/2006	Sakamoto et al.	.....	D14/455
D517,068 S *	3/2006	Sakamoto et al.	.....	D14/390
D567,240 S *	4/2008	Griffin	.....	D14/392
D615,086 S *	5/2010	Morabito	.....	D14/346
D649,544 S *	11/2011	Chiu et al.	.....	D14/318
D709,881 S *	7/2014	Chung et al.	.....	D14/400

(71) Applicant: **Samsung Electronics Co. Ltd.**,  
Suwon-si, Gyeonggi-do (KR)

(72) Inventors: **Chang-Ho Lee**, Seoul (KR); **Won-Suk Chung**, Seoul (KR)

(73) Assignee: **Samsung Electronics Co., Ltd.**,  
Suwon-si (KR)

(\*\*) Term: **14 Years**

(21) Appl. No.: **29/452,782**

(22) Filed: **Apr. 22, 2013**

(30) **Foreign Application Priority Data**

Oct. 29, 2012 (KR) ..... 30-2012-0051241

(51) **LOC (10) Cl.** ..... **14-02**

(52) **U.S. Cl.**  
USPC ..... **D14/455**

(58) **Field of Classification Search**

USPC ..... D14/315-327, 389, 432, 439, 455;  
D18/1, 2, 7, 11; 235/145 A, 145 R;  
341/22, 23; 345/156, 157, 168, 169,  
345/173; 361/679.08, 679.09, 679.17,  
361/679.26, 679.27; 400/486, 489

See application file for complete search history.

\* cited by examiner

*Primary Examiner* — Ian Simmons

*Assistant Examiner* — Harold Blackwell, II

(74) *Attorney, Agent, or Firm* — Jefferson IP Law, LLP

(57) **CLAIM**

The ornamental design for keyboard for mobile communication terminal, as shown and described.

**DESCRIPTION**

FIG. 1 is a perspective view of keyboard for mobile communication terminal, showing a new design;  
FIG. 2 is a front elevational view thereof;  
FIG. 3 is a rear elevational view thereof;  
FIG. 4 is a left side elevational view thereof;  
FIG. 5 is a right side elevational view thereof;  
FIG. 6 is a top plan view thereof;  
FIG. 7 is a bottom plan view thereof; and,  
FIG. 8 is a perspective view thereof showing the keyboard for mobile communication terminal in an environment in which it may be used.

The broken lines in the FIGS. 1-8 illustrate portions of the keyboard for mobile communication terminal which form no part of the claimed design.

**1 Claim, 8 Drawing Sheets**

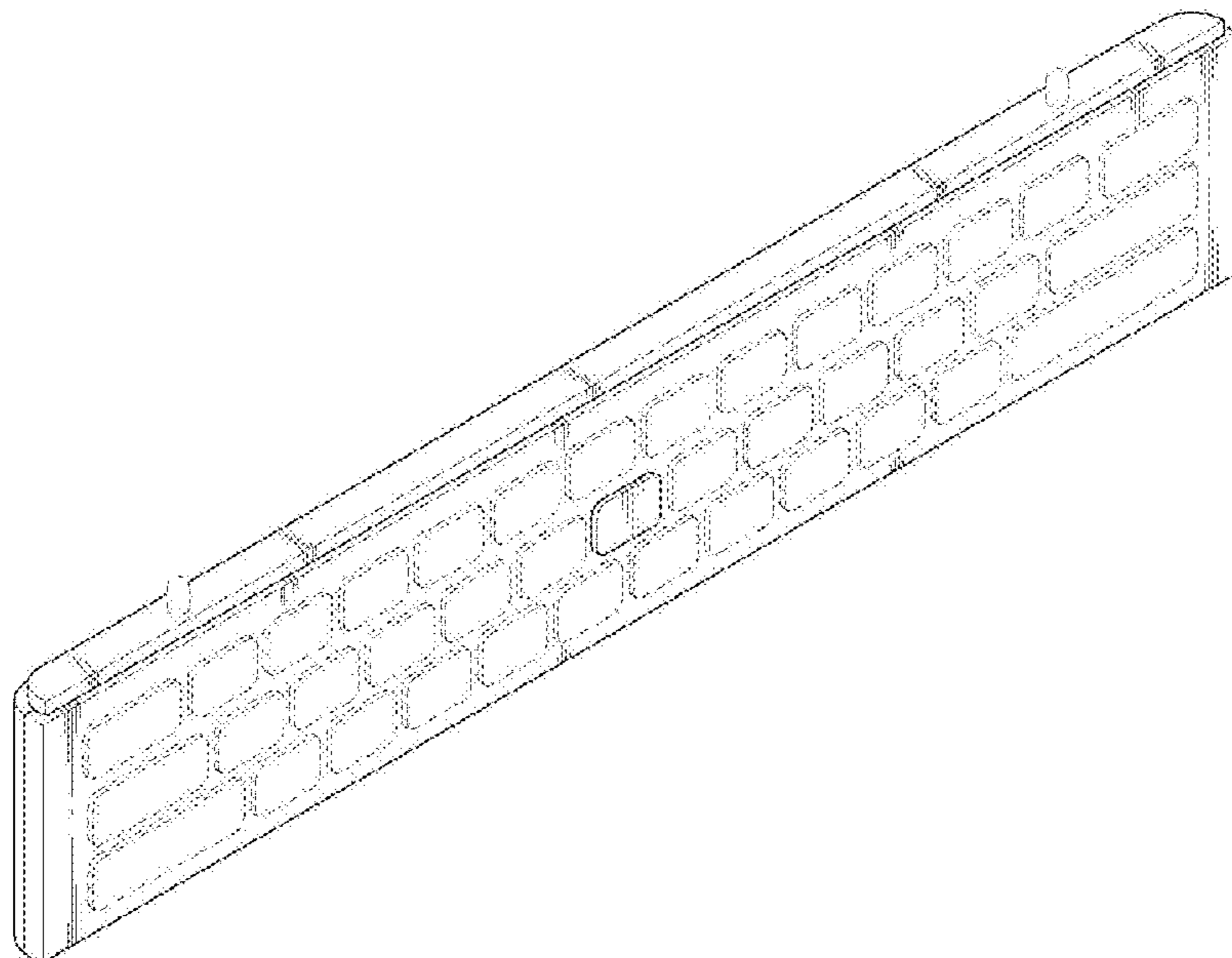


FIG. 1

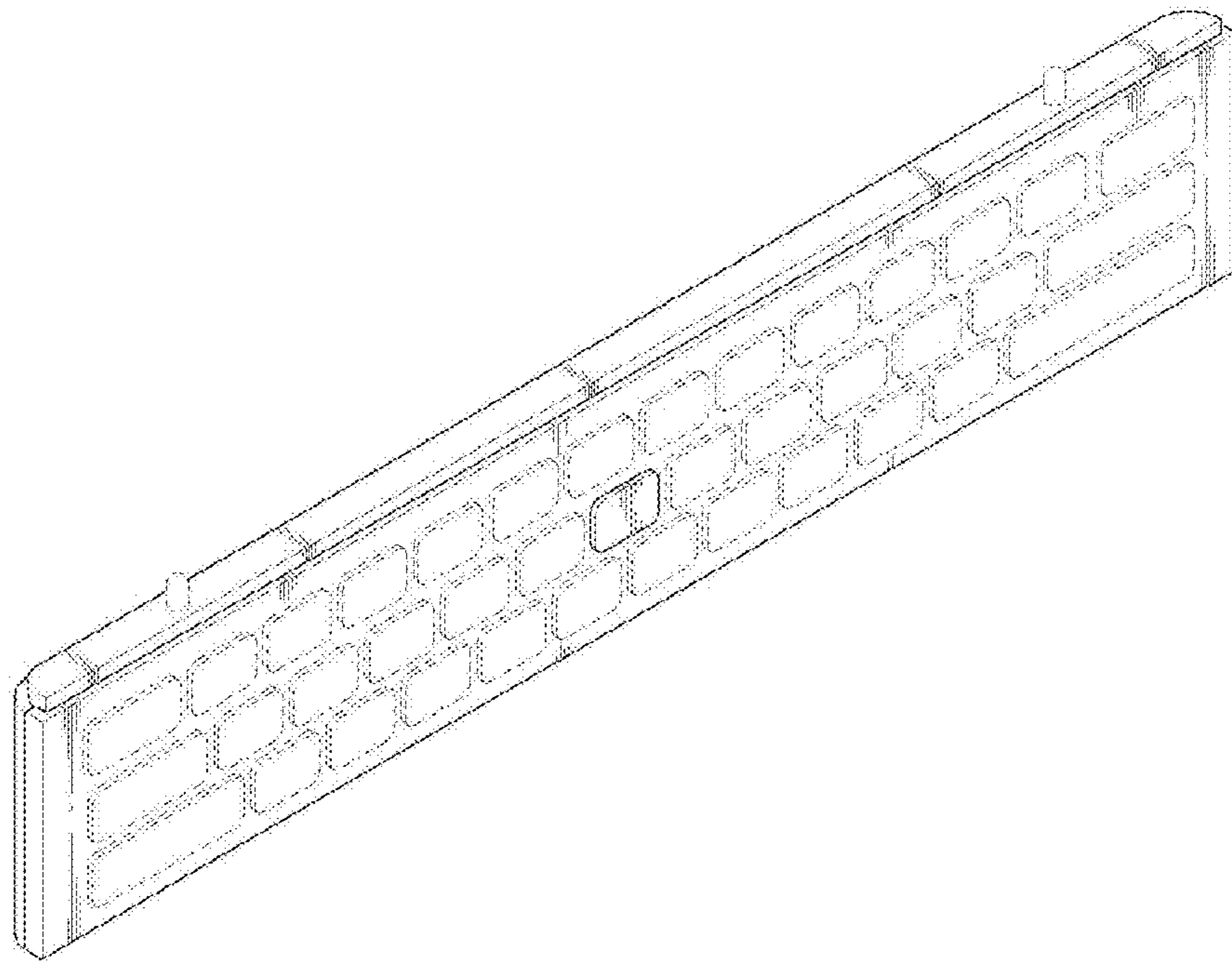


FIG. 2

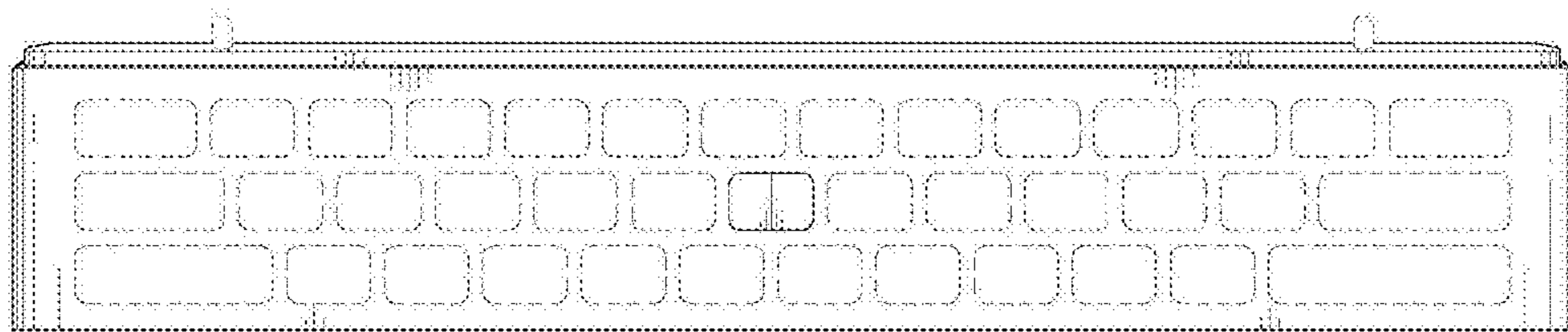
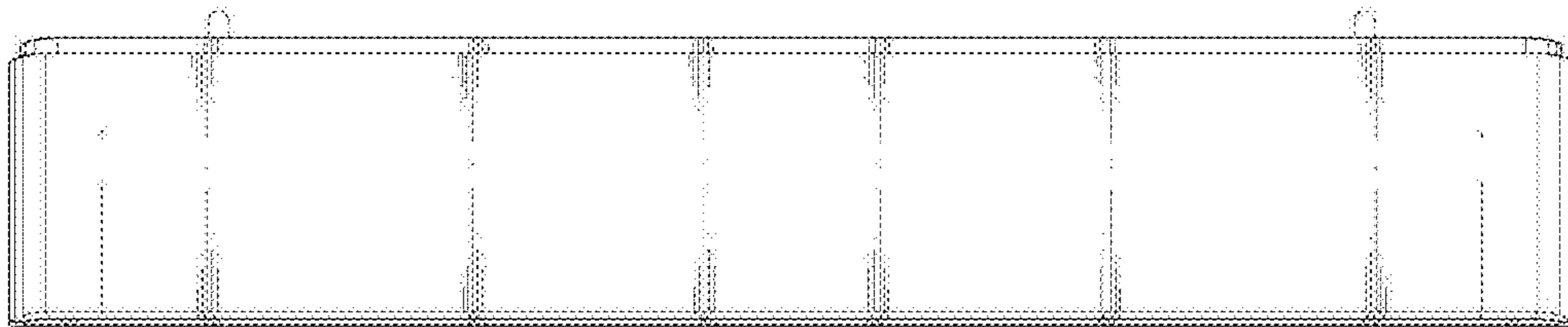


FIG. 3



---

FIG. 4



FIG. 5

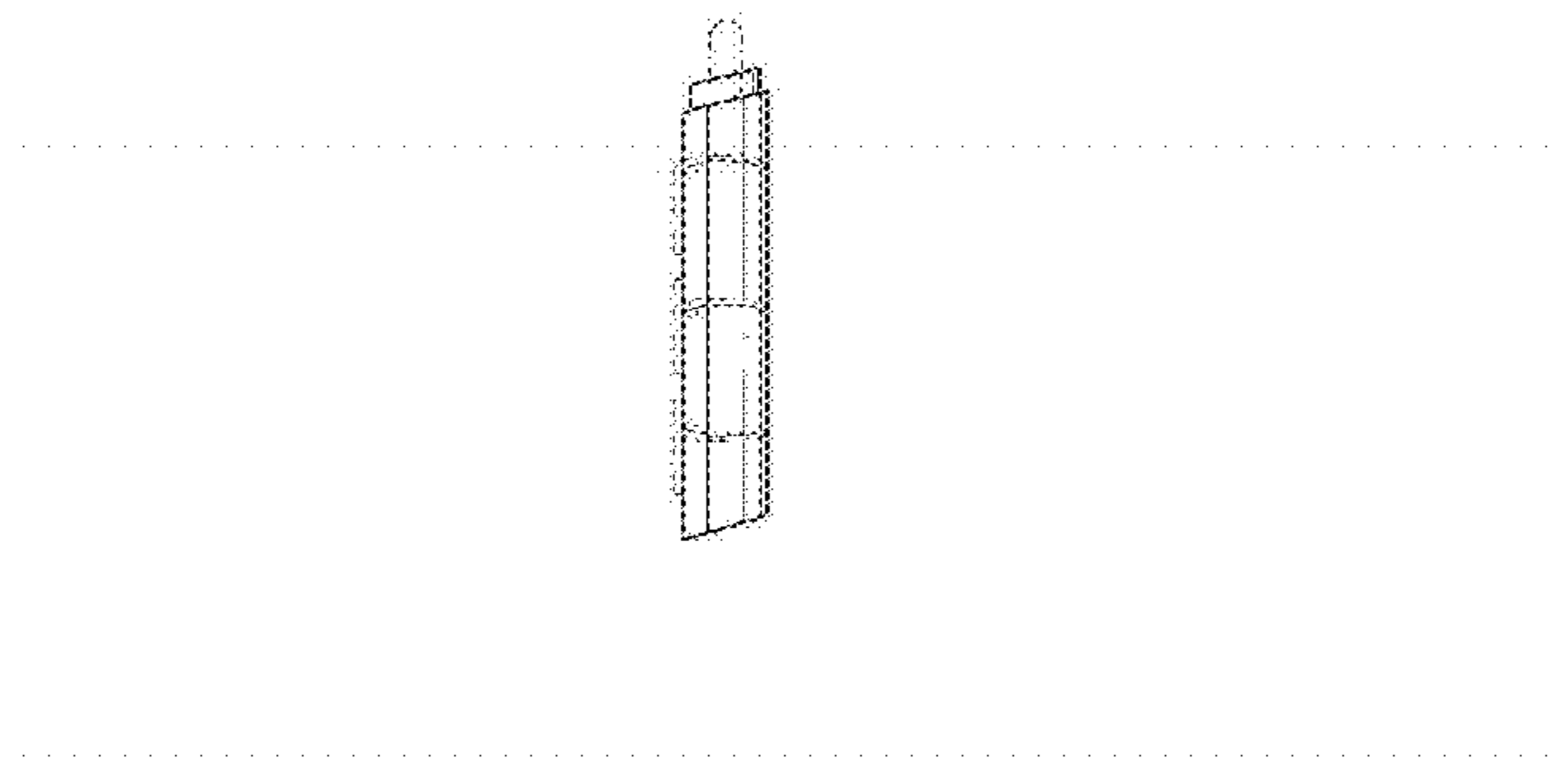


FIG. 6



FIG. 7

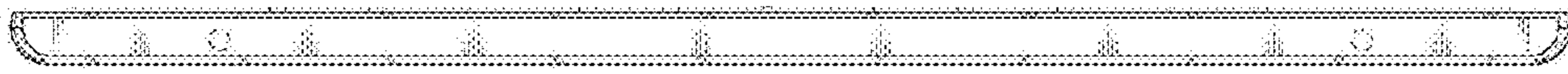




FIG. 8

