



US00D729257S

(12) **United States Design Patent**  
**Floersch et al.**

(10) **Patent No.:** **US D729,257 S**  
(45) **Date of Patent:** **\*\* May 12, 2015**

- (54) **SWIVEL STAND**
- (71) Applicant: **Engineered Network Systems, Inc.**,  
Burnsville, MN (US)
- (72) Inventors: **Peter Floersch**, Lakeville, MN (US);  
**Greg Miler**, Lakeville, MN (US); **Steven Nistler**,  
Rosemount, MN (US); **Jon Christopherson**, Burnsville,  
MN (US)
- (73) Assignee: **Engineered Network Systems, Inc.**,  
Burnsville, MN (US)
- (\*\*) Term: **14 Years**
- (21) Appl. No.: **29/449,584**
- (22) Filed: **Mar. 15, 2013**
- (51) **LOC (10) Cl.** ..... **08-07**
- (52) **U.S. Cl.**  
USPC ..... **D14/451**
- (58) **Field of Classification Search**  
USPC ..... D14/388-390, 341, 383, 374, 381, 371,  
D14/129, 456, 451.452; D19/52; D10/65;  
178/18.01, 18.03-18.09, 18.11;  
345/173-178; D6/675, 668.2, 682;  
D8/358; D9/425

See application file for complete search history.

(56) **References Cited**

**U.S. PATENT DOCUMENTS**

5,335,142	A	8/1994	Anderson	
D362,244	S *	9/1995	Takemasa	D14/451
D376,787	S *	12/1996	Calfee	D14/451
5,697,588	A	12/1997	Gonzalez et al.	
5,842,672	A	12/1998	Sweere et al.	
D409,018	S *	5/1999	Deuschle	D6/466
5,947,429	A	9/1999	Sweere et al.	
5,992,809	A	11/1999	Sweere et al.	
6,012,693	A	1/2000	Voeller et al.	
6,015,120	A	1/2000	Sweere et al.	
6,019,332	A	2/2000	Sweere et al.	

D448,950	S *	10/2001	McIveen	D6/449
D456,415	S *	4/2002	Deuschle	D14/447
6,419,196	B1	7/2002	Sweere et al.	
6,510,049	B2	1/2003	Rosen	
6,601,810	B2	8/2003	Lee	
6,609,272	B1	8/2003	Lee	
6,876,545	B2	4/2005	Tseng et al.	
D508,696	S *	8/2005	Ramey et al.	D14/451
D554,479	S *	11/2007	Rosine et al.	D8/358
D560,677	S *	1/2008	Wohlford et al.	D14/451
D563,693	S *	3/2008	Calleja	D6/466
D593,079	S *	5/2009	Schmitz et al.	D14/238
D598,459	S *	8/2009	Gillespie	D14/451
D649,945	S *	12/2011	Kim et al.	D14/125
D676,056	S *	2/2013	Liang	D14/447
D688,672	S *	8/2013	Seo et al.	D14/451
D705,229	S *	5/2014	Wengreen et al.	D14/434
D710,340	S *	8/2014	Wengreen et al.	D14/238.1
2003/0001057	A1	1/2003	Sweere et al.	

\* cited by examiner

*Primary Examiner* — Deanna L Pratt

*Assistant Examiner* — Katie Mroczka

(74) *Attorney, Agent, or Firm* — Haugen Law Firm PLLP

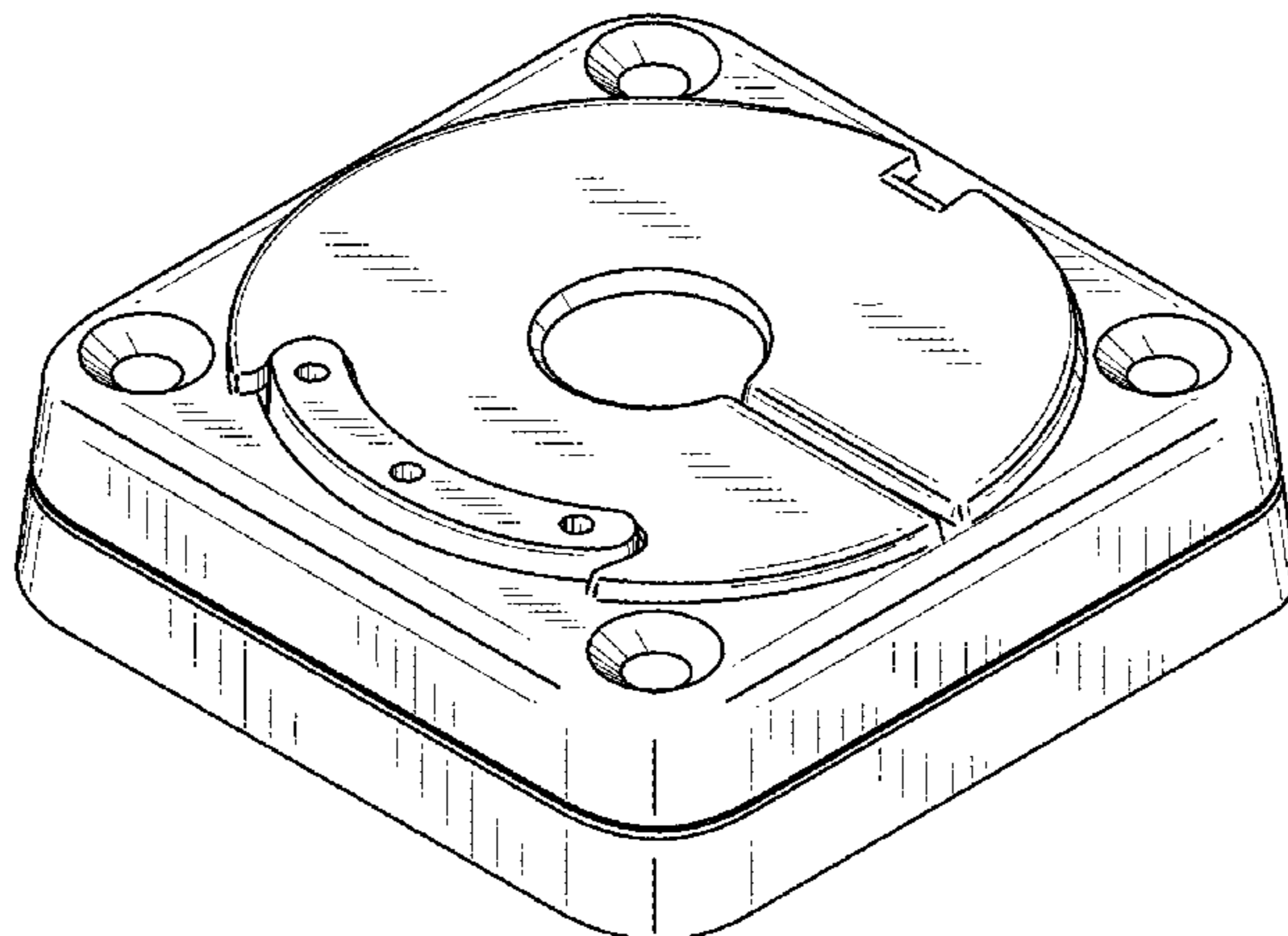
(57) **CLAIM**

The ornamental design for a swivel stand, as shown and described.

**DESCRIPTION**

FIG. 1 is a perspective view of the design with environmental structure shown in broken lines;  
 FIG. 2 is a perspective view of the design;  
 FIG. 3 is a left side elevational view of the design;  
 FIG. 4 is a right side elevational view of the design;  
 FIG. 5 is a front elevational view of the design;  
 FIG. 6 is a rear elevational view of the design;  
 FIG. 7 is a top plan view of the design; and,  
 FIG. 8 is a bottom plan view of the design.  
 The broken lines shown in FIG. 1 illustrate the environment of the claimed design and form no part thereof.

**1 Claim, 8 Drawing Sheets**



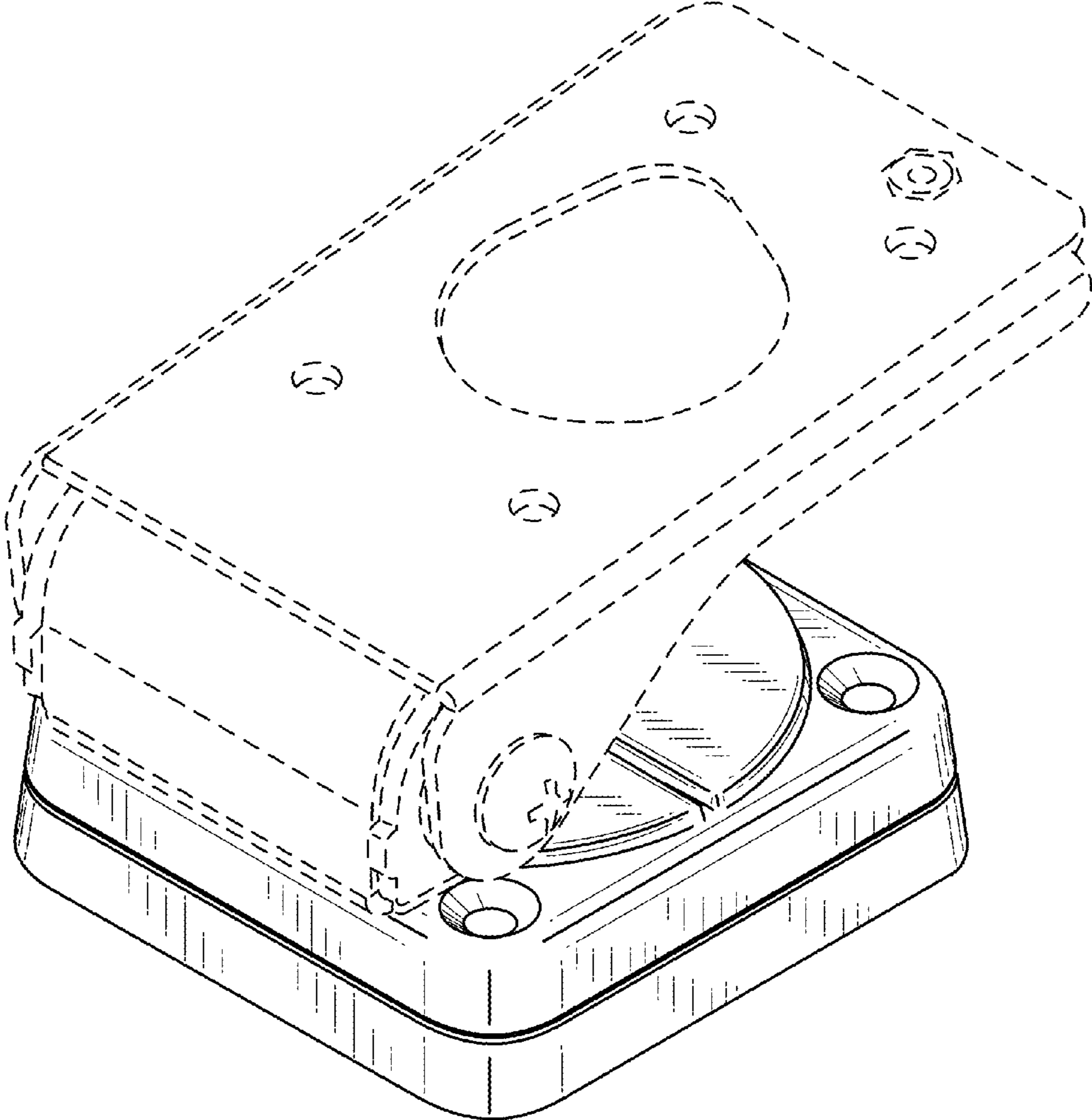


FIG. 1

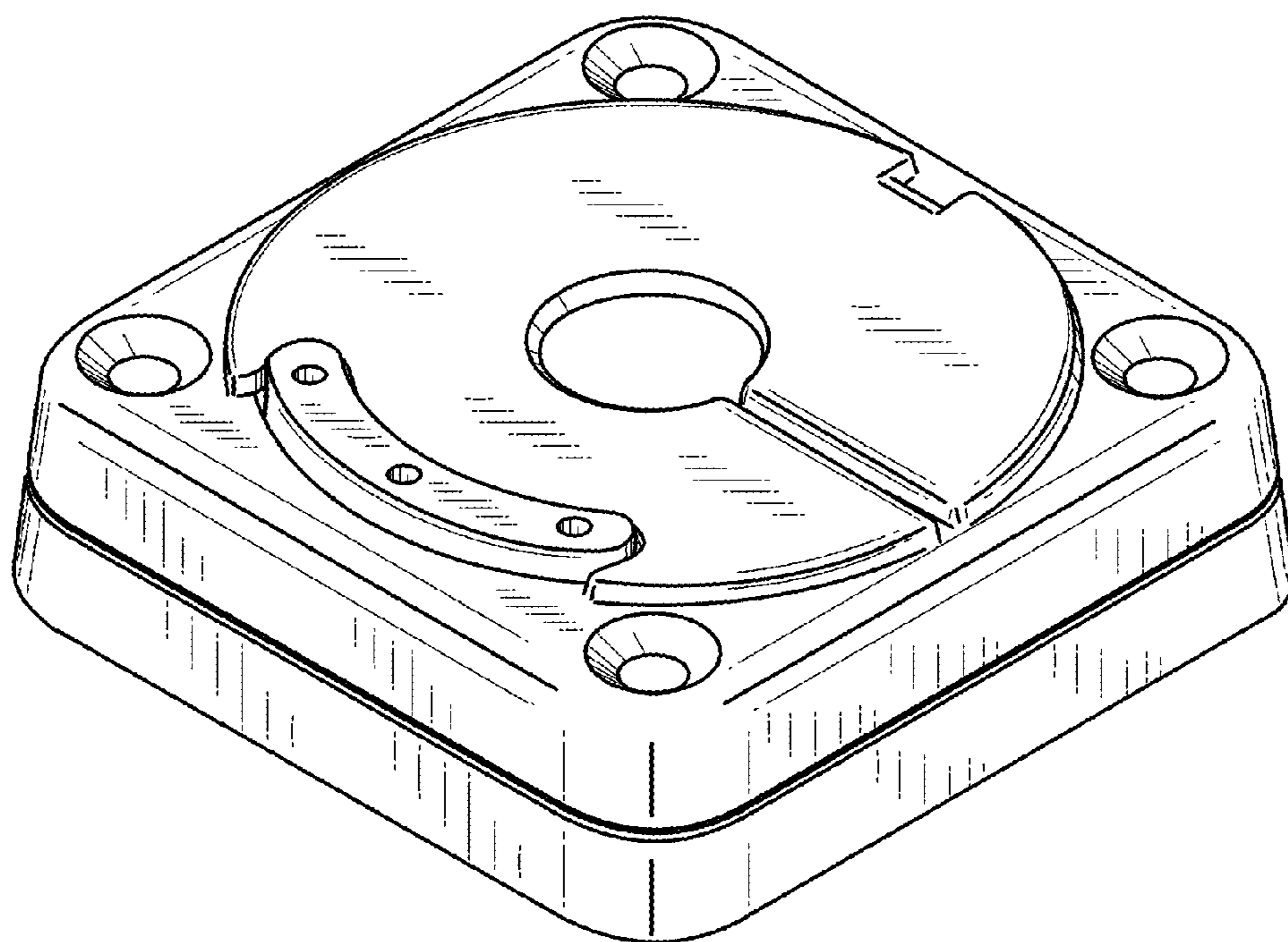


FIG. 2

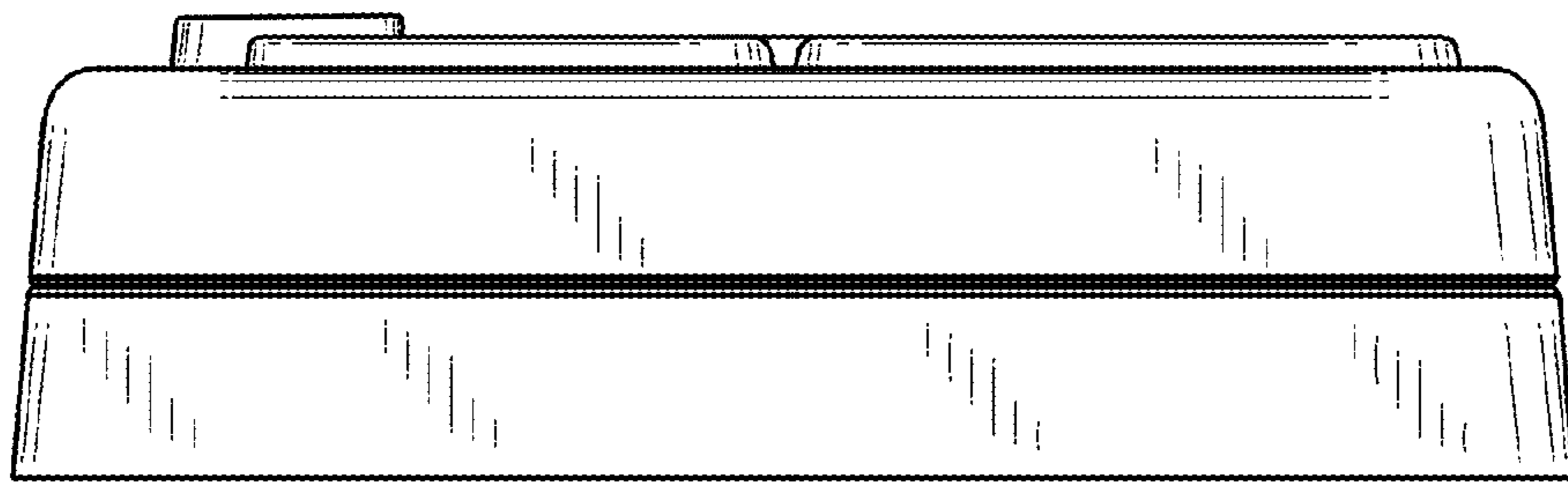
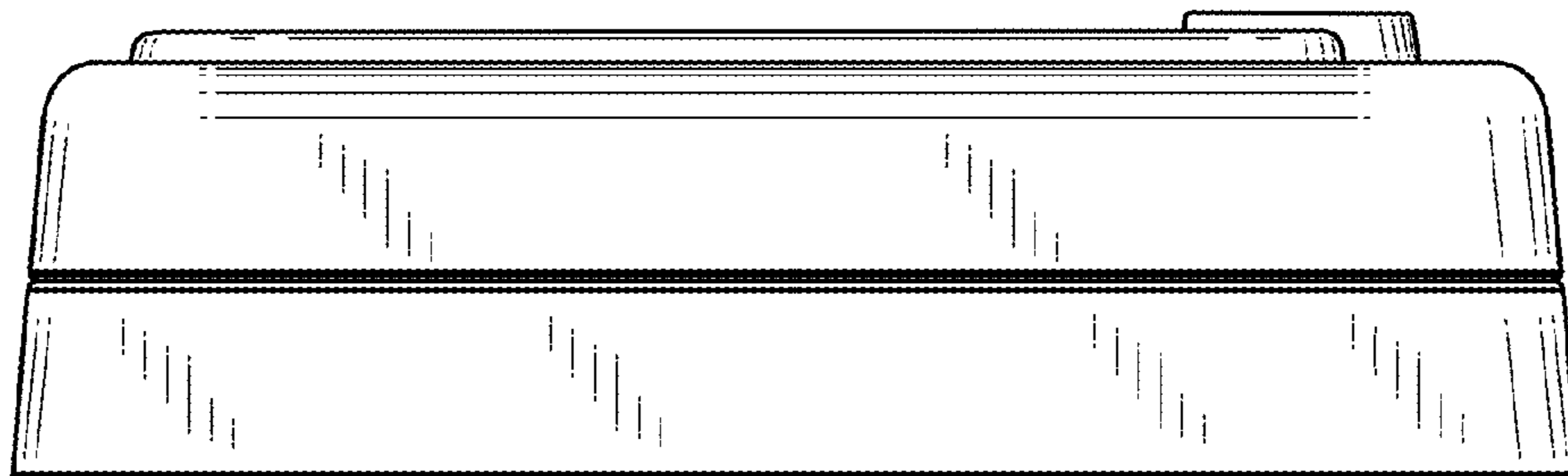


FIG. 3



**FIG. 4**

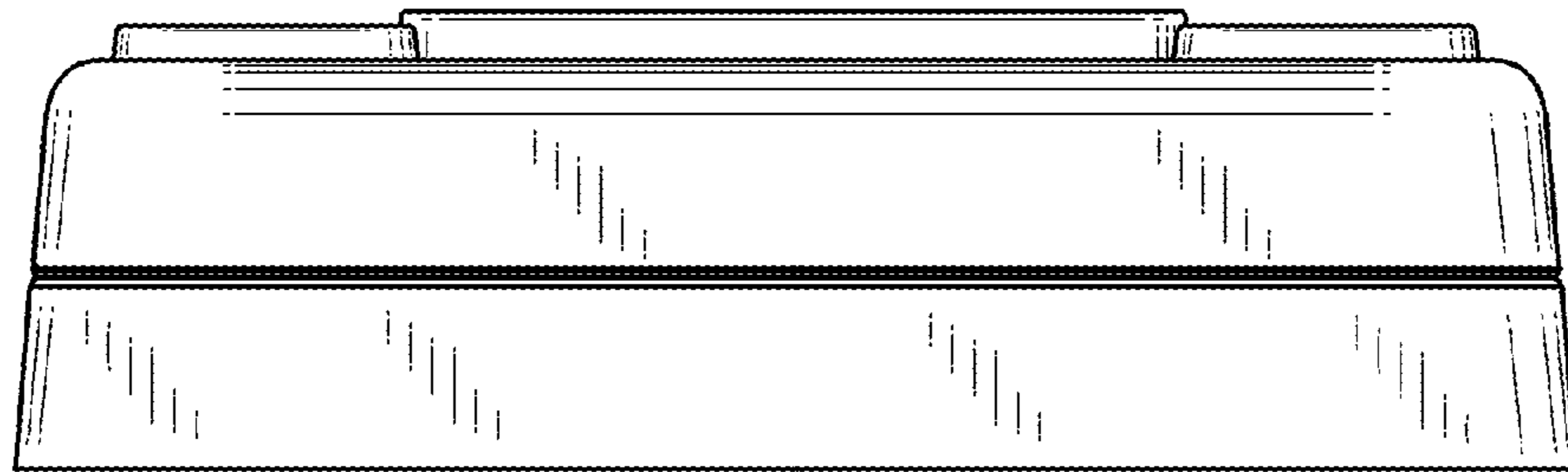


FIG. 5

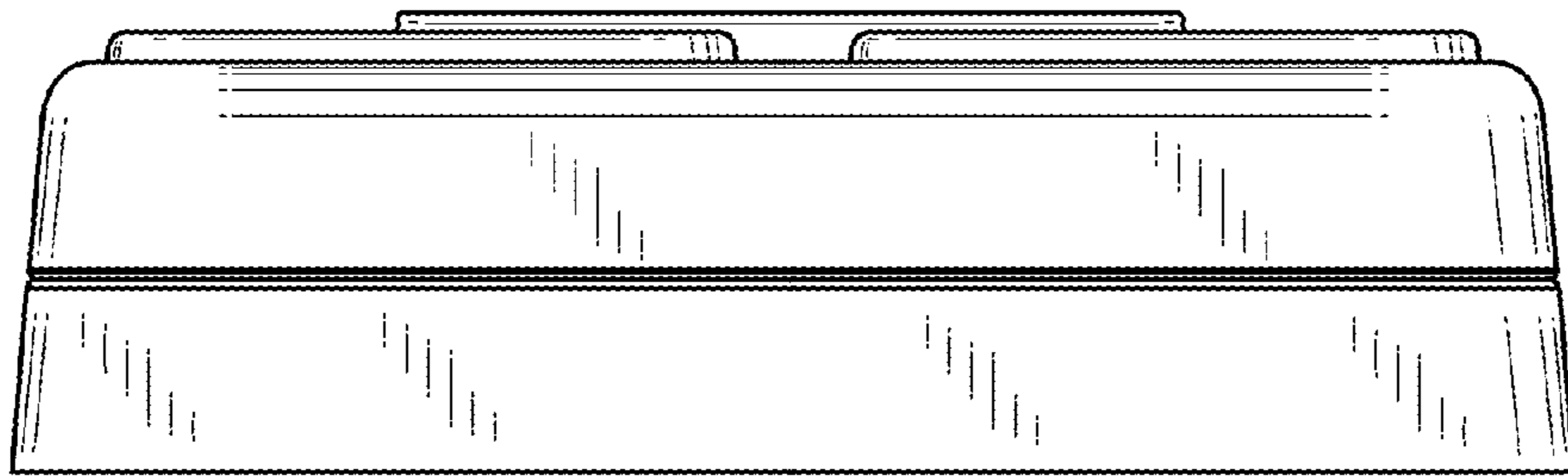


FIG. 6



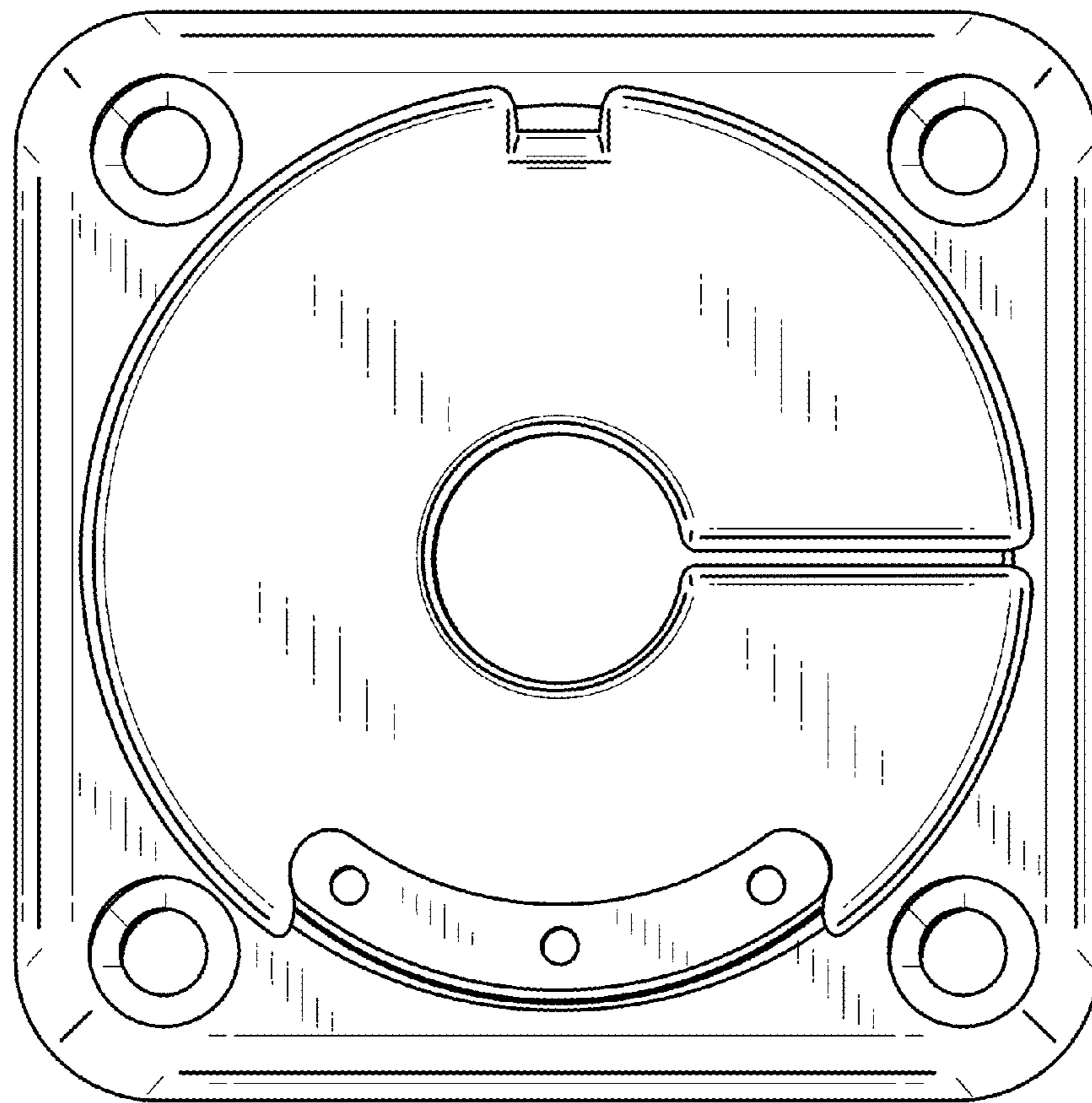


FIG. 7



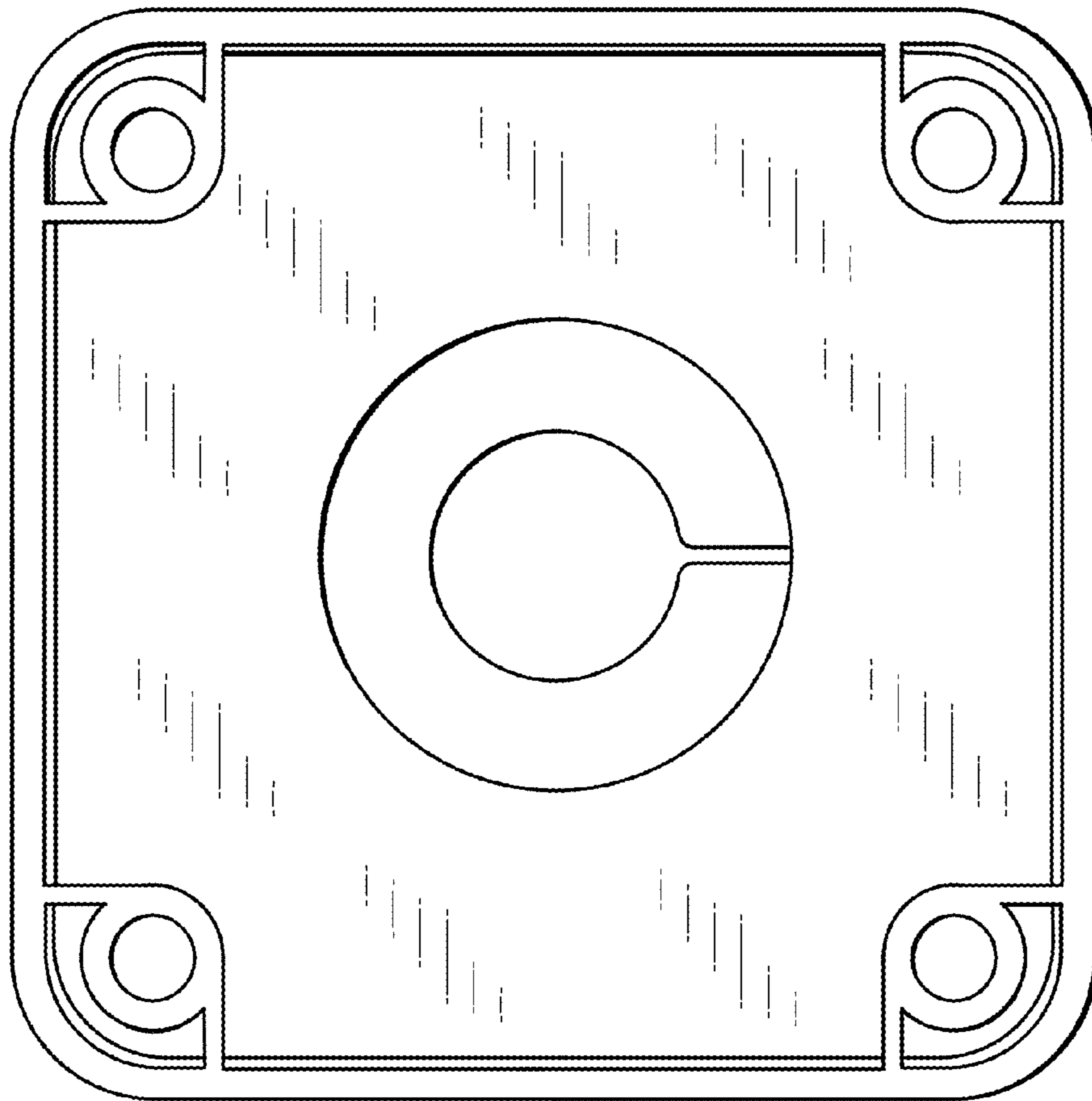


FIG. 8