



US00D729256S

(12) **United States Design Patent**
Feng

(10) **Patent No.:** **US D729,256 S**

(45) **Date of Patent:** **** May 12, 2015**

(54) **TABLET CASE**

(71) Applicant: **Youru Feng**, Guangzhou (CN)

(72) Inventor: **Youru Feng**, Guangzhou (CN)

(**) Term: **14 Years**

(21) Appl. No.: **29/494,532**

(22) Filed: **Jun. 20, 2014**

(30) **Foreign Application Priority Data**

Apr. 15, 2014 (CN) 2014 3 0090426

(51) **LOC (10) CL.** **08-03**

(52) **U.S. CL.**
USPC **D14/447**

(58) **Field of Classification Search**
USPC D14/447, 432, 434, 439, 440, 451, 452,
D14/239, 251, 253, 217, 374, 375;
D6/406.3, 406.4, 406.5; D3/218;
D12/415; 248/917-924, 445, 447, 451,
248/455, 460, 150, 188.6, 176.1;
361/679.09, 679.21, 679.22, 679.26,
361/679.3, 679.55, 679.56

See application file for complete search history.

(56) **References Cited**

U.S. PATENT DOCUMENTS

8,230,992 B2 * 7/2012 Law et al. 206/320
D672,353 S * 12/2012 Liu D14/440
D676,853 S * 2/2013 Gengler D14/447
D677,668 S * 3/2013 Phillips et al. D14/440
D682,839 S * 5/2013 Sampson et al. D14/447
D689,501 S * 9/2013 Fong D14/447
D694,245 S * 11/2013 Sanz D14/440

D700,186 S * 2/2014 Feng D14/447
D706,783 S * 6/2014 Almodova D14/440
D707,229 S * 6/2014 Almodova D14/440
D710,860 S * 8/2014 Johnson et al. D14/447
D711,887 S * 8/2014 Akana et al. D14/440
2014/0071605 A1 * 3/2014 Bates et al. 361/679.09

* cited by examiner

Primary Examiner — Angela J Lee

(74) *Attorney, Agent, or Firm* — Mintz Levin Cohn Ferris
Glovsky and Popeo, P.C.

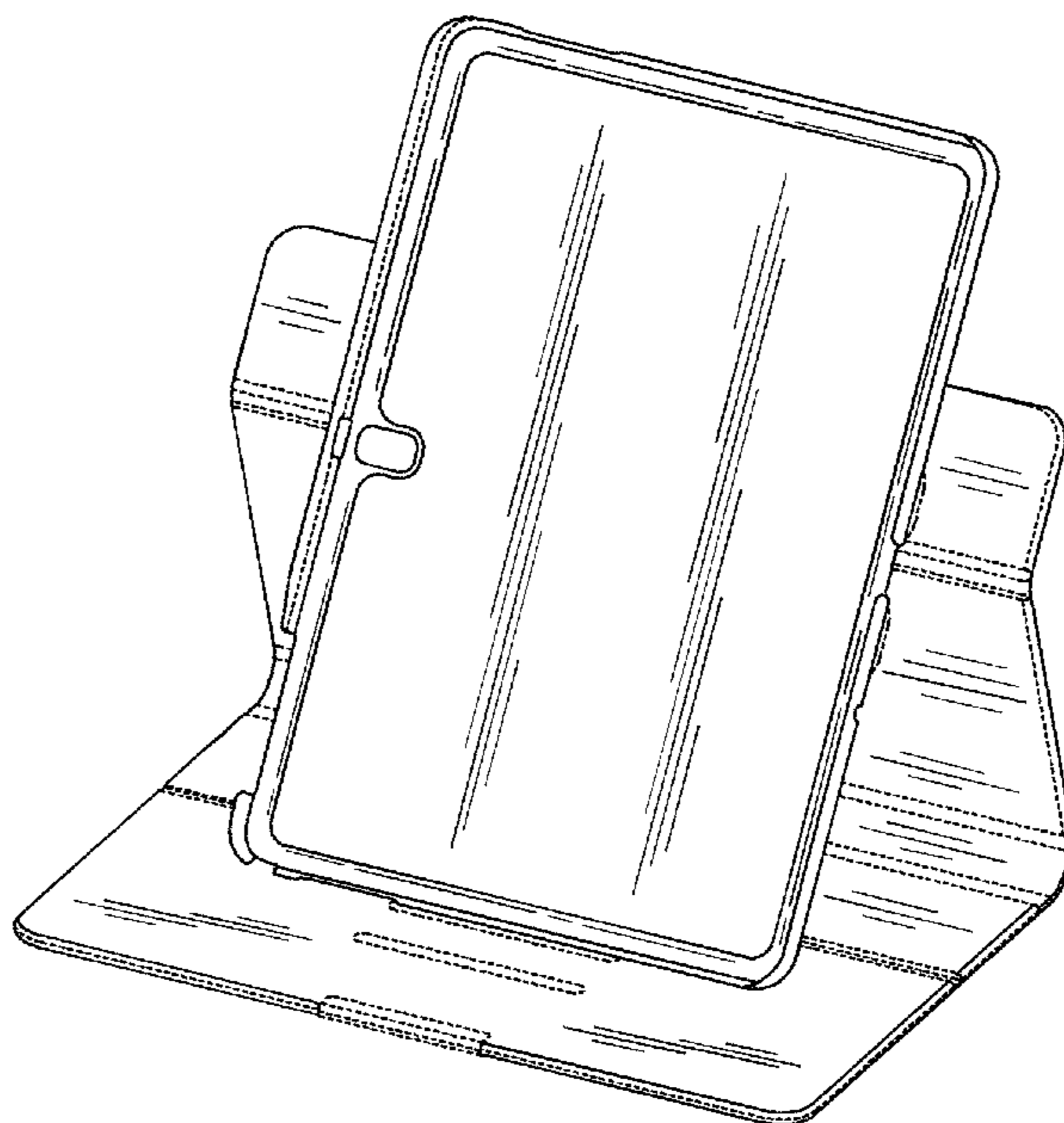
(57) **CLAIM**

The ornamental design for a tablet case, as shown and described.

DESCRIPTION

FIG. 1 is a Front View of the tablet case;
FIG. 2 is a Rear View thereof;
FIG. 3 is a Bottom View thereof;
FIG. 4 is a Left View thereof;
FIG. 5 is a Right View thereof;
FIG. 6 is a Perspective View thereof,
FIG. 7 is a Perspective View thereof,
FIG. 8 is a Perspective View thereof,
FIG. 9 is a Perspective View thereof,
FIG. 10 is a Perspective View thereof,
FIG. 11 is a Perspective View thereof,
FIG. 12 is a Perspective View thereof, showing the appear-
ance when the tablet case is opened,
FIG. 13 is a Perspective View thereof, showing the appear-
ance when the tablet case is taken apart; and,
FIG. 14 is a Perspective View thereof.
The broken lines in the drawings are included to show
unclaimed subject matter only and form no part of the claimed
design.

1 Claim, 14 Drawing Sheets



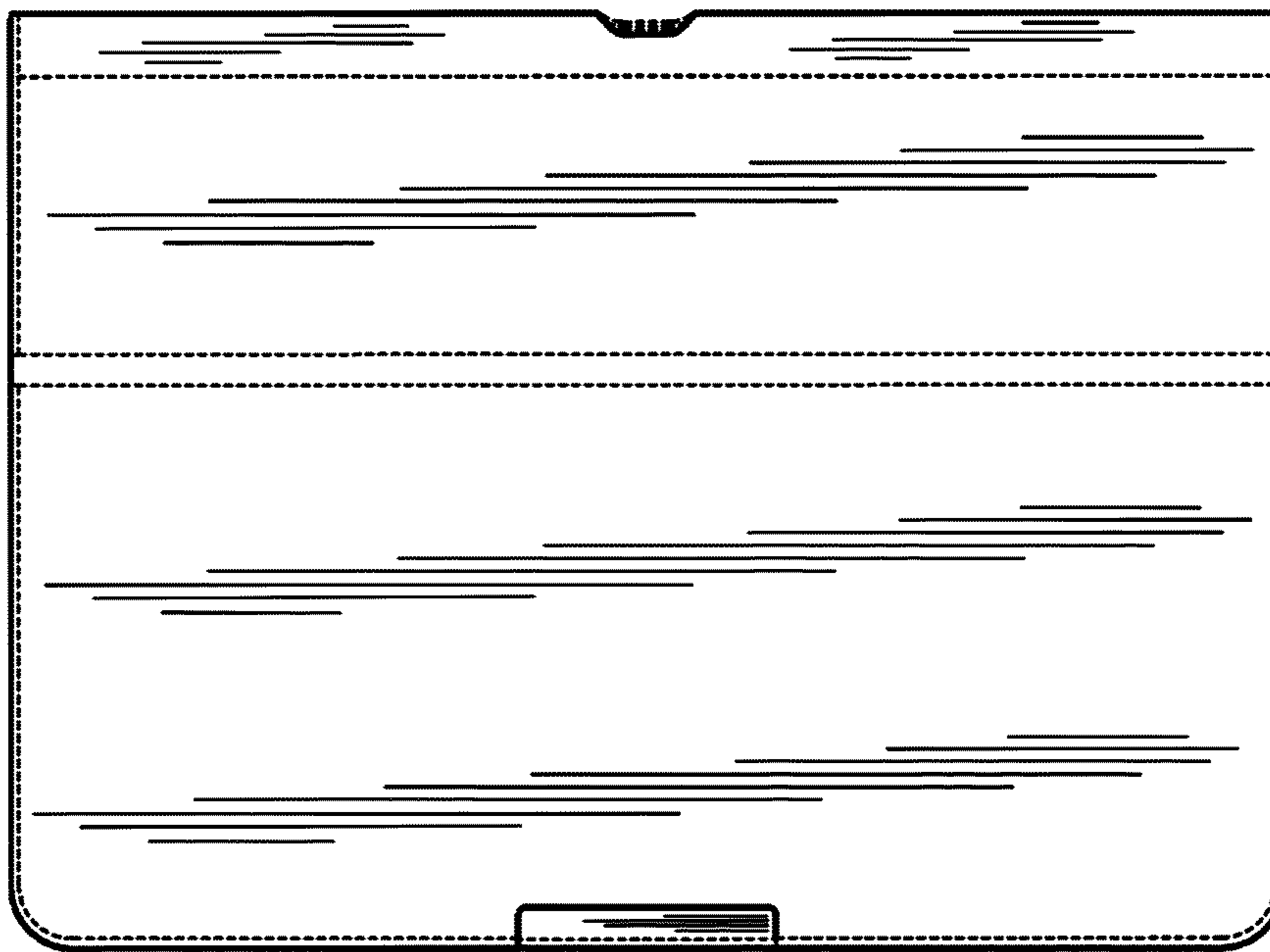


Fig. 1

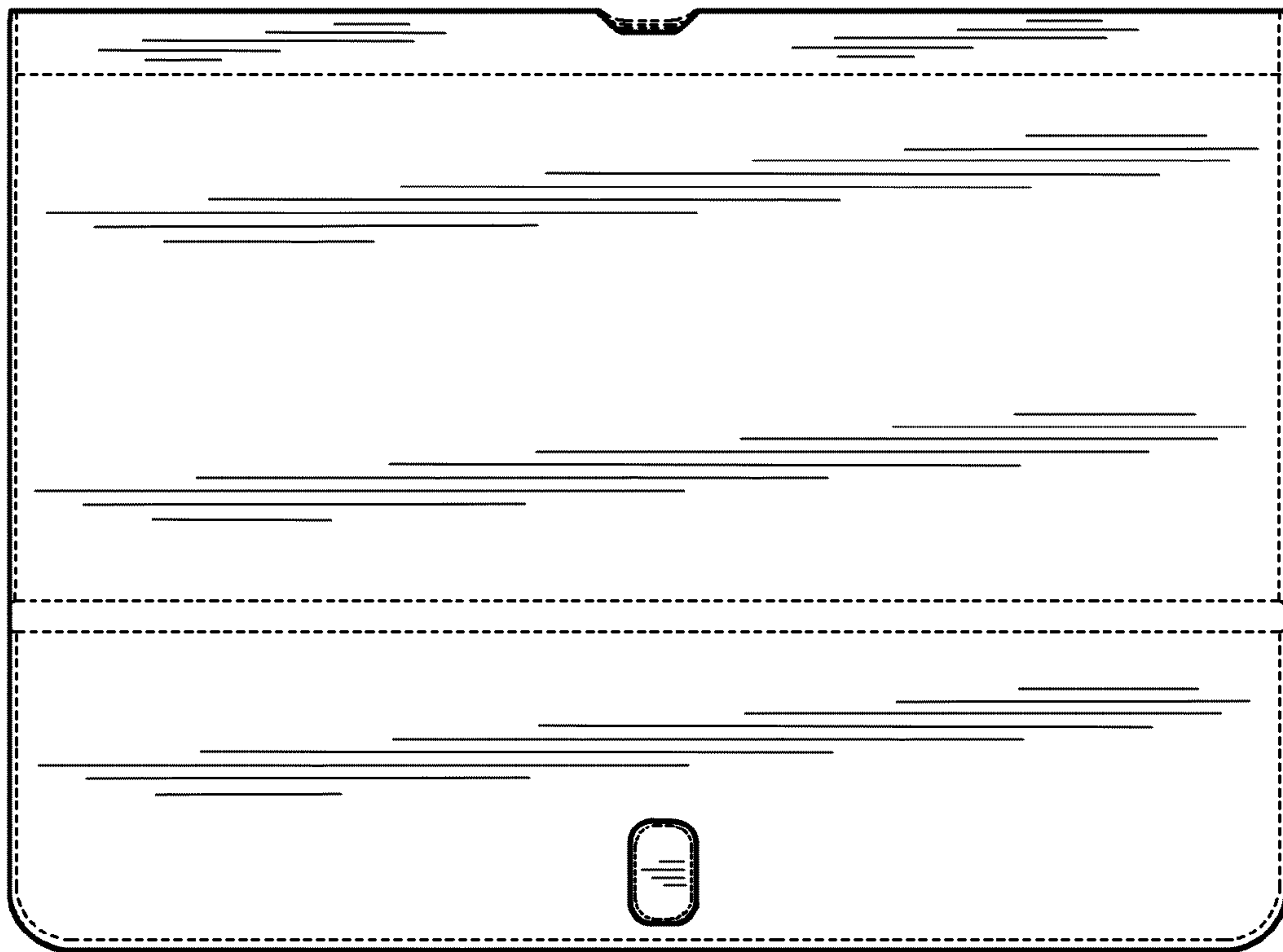


Fig. 2

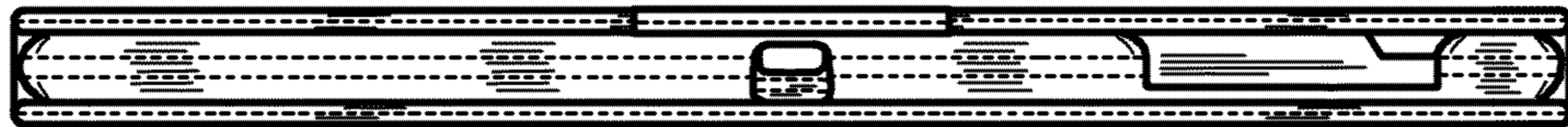


Fig. 3

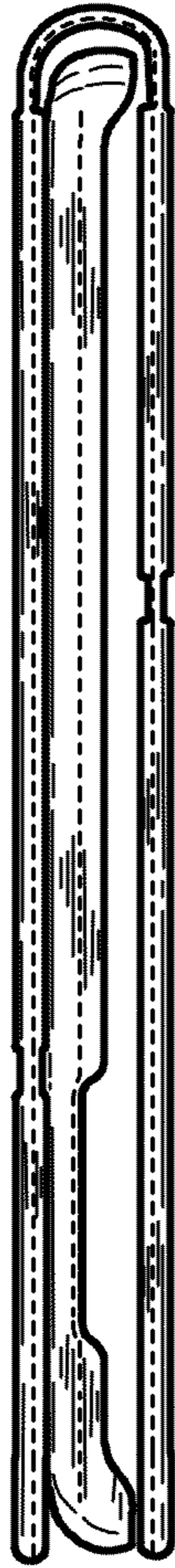


Fig. 4

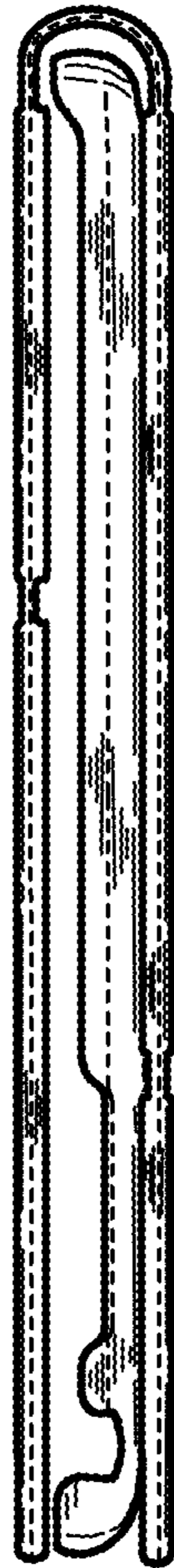


Fig. 5

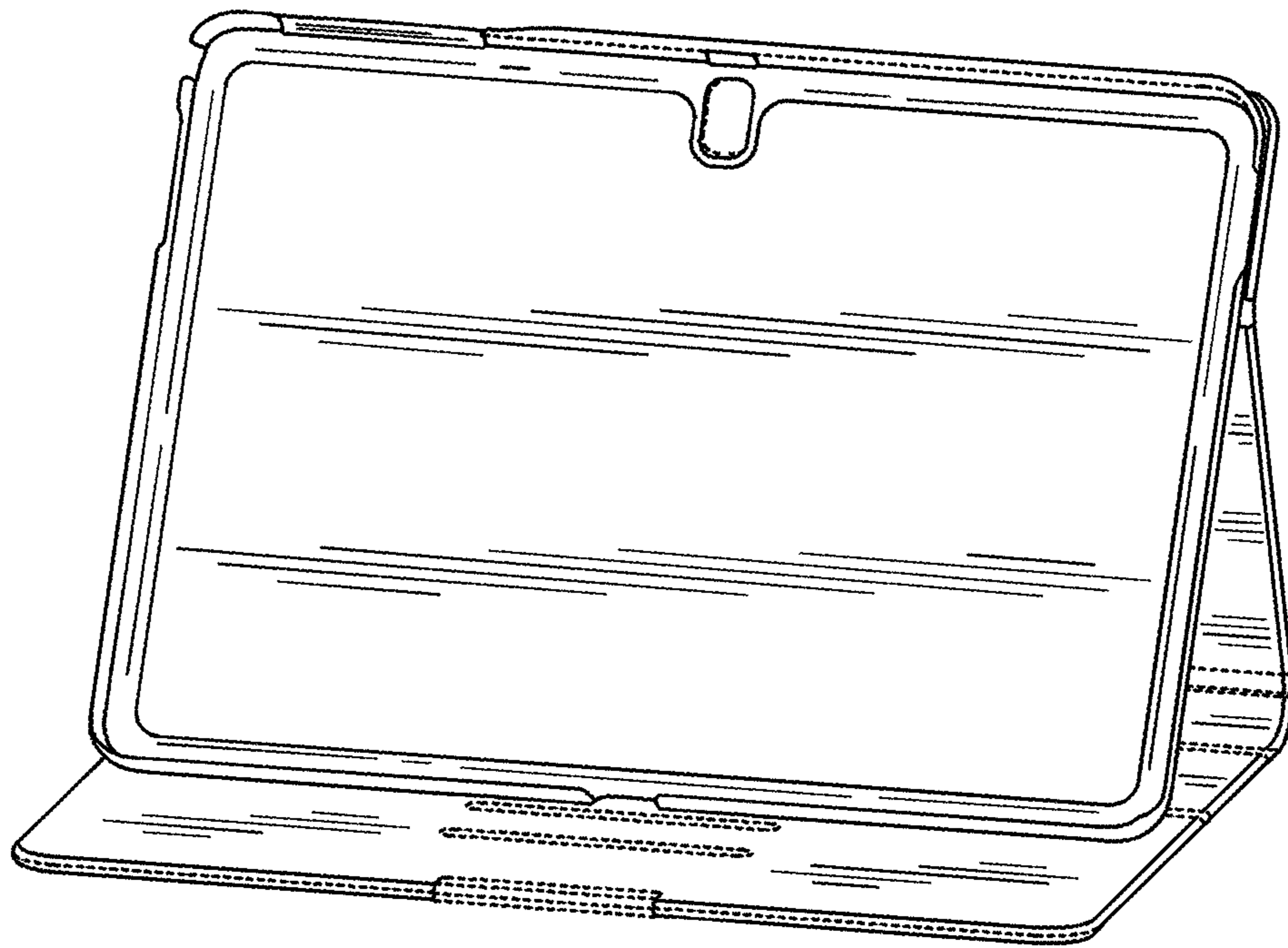


Fig. 6

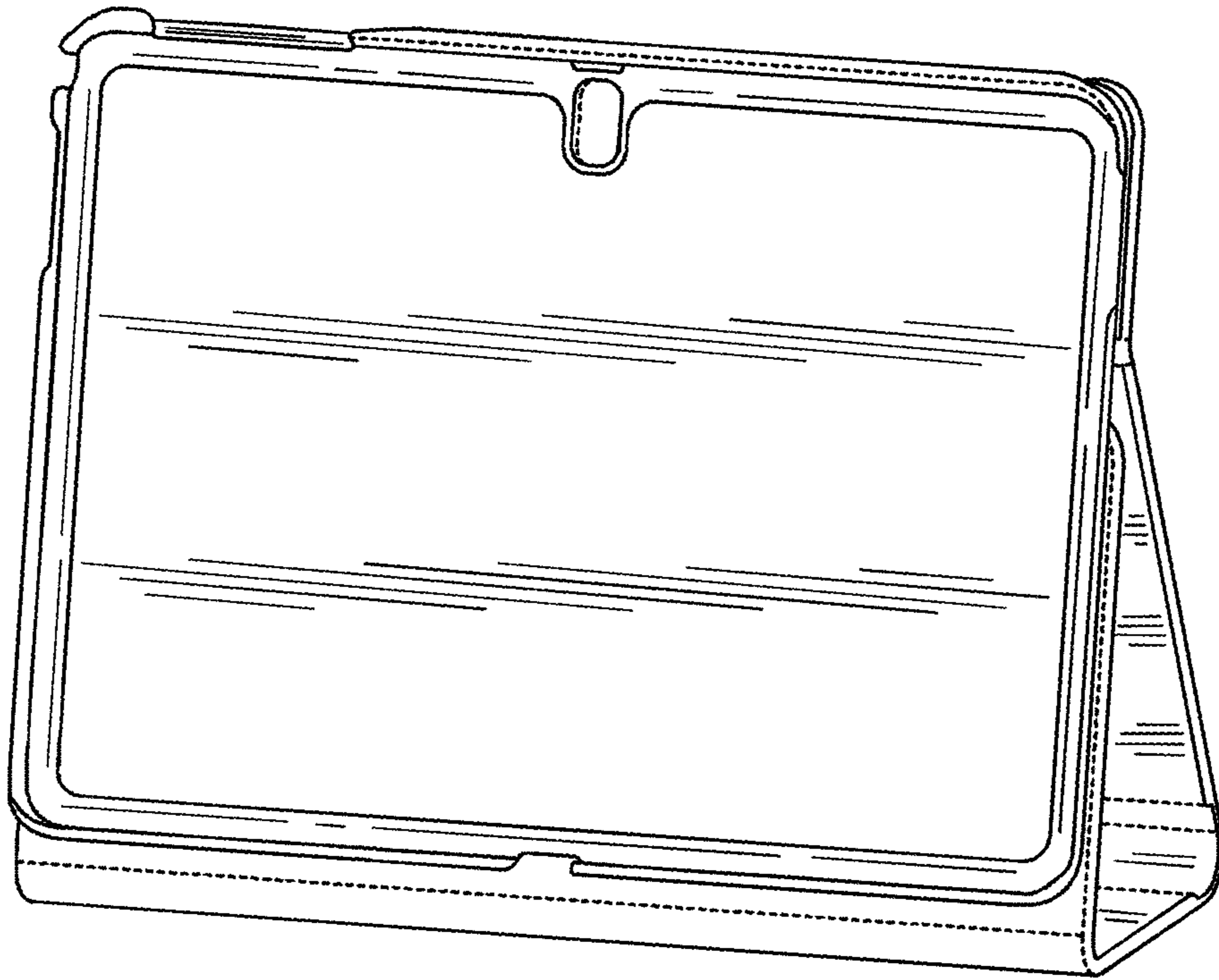


Fig. 7

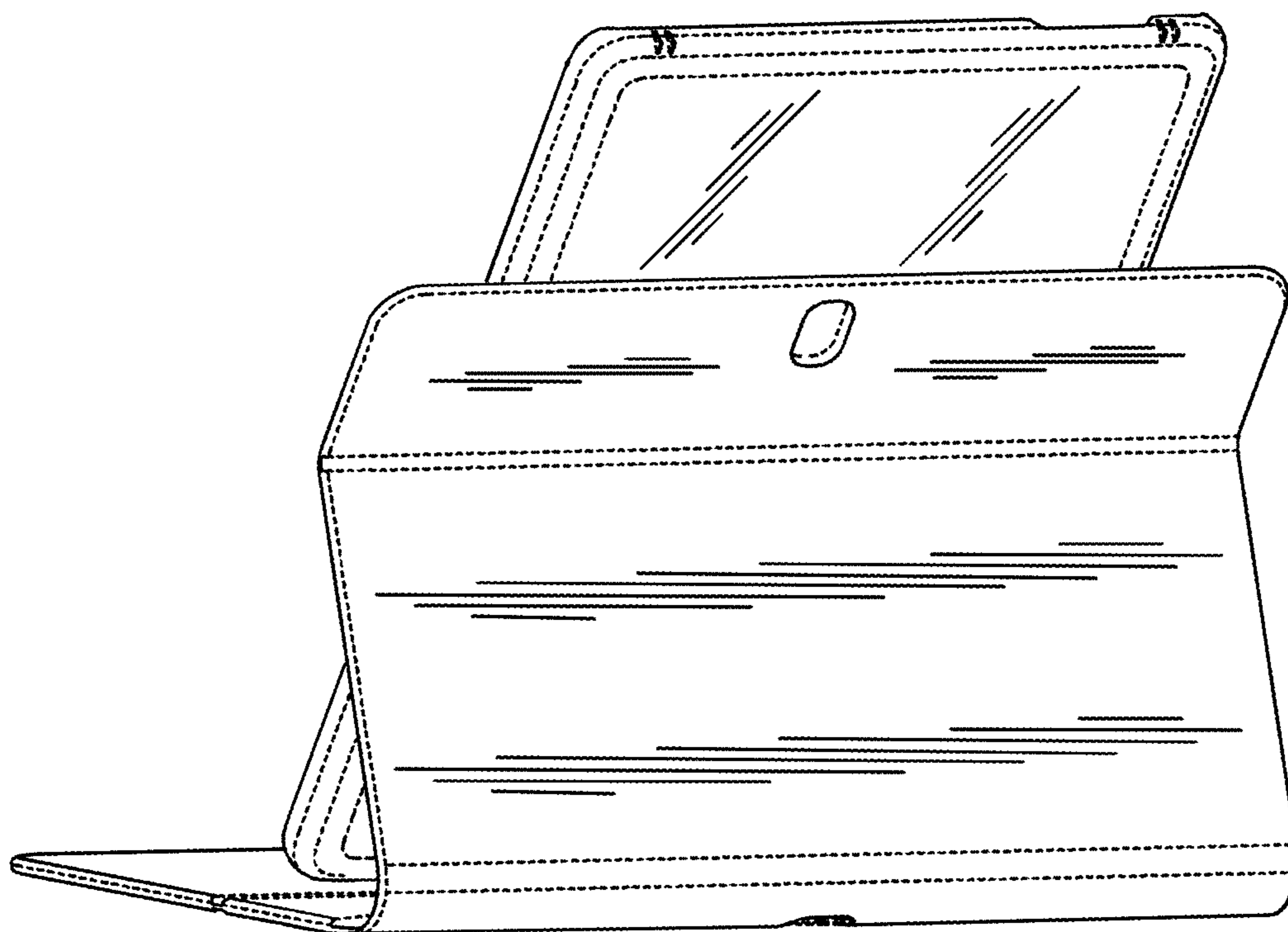


Fig. 8

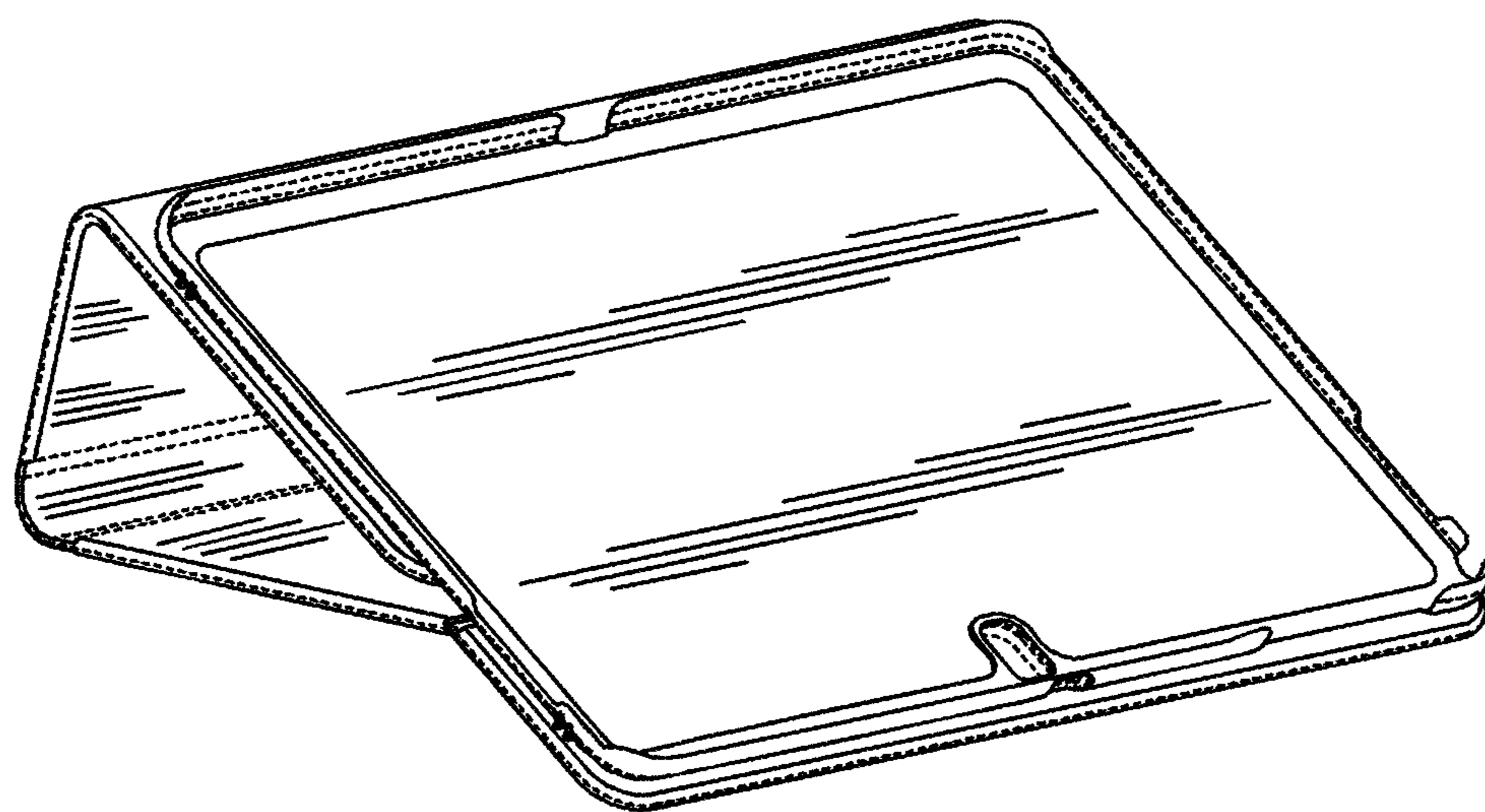


Fig. 9

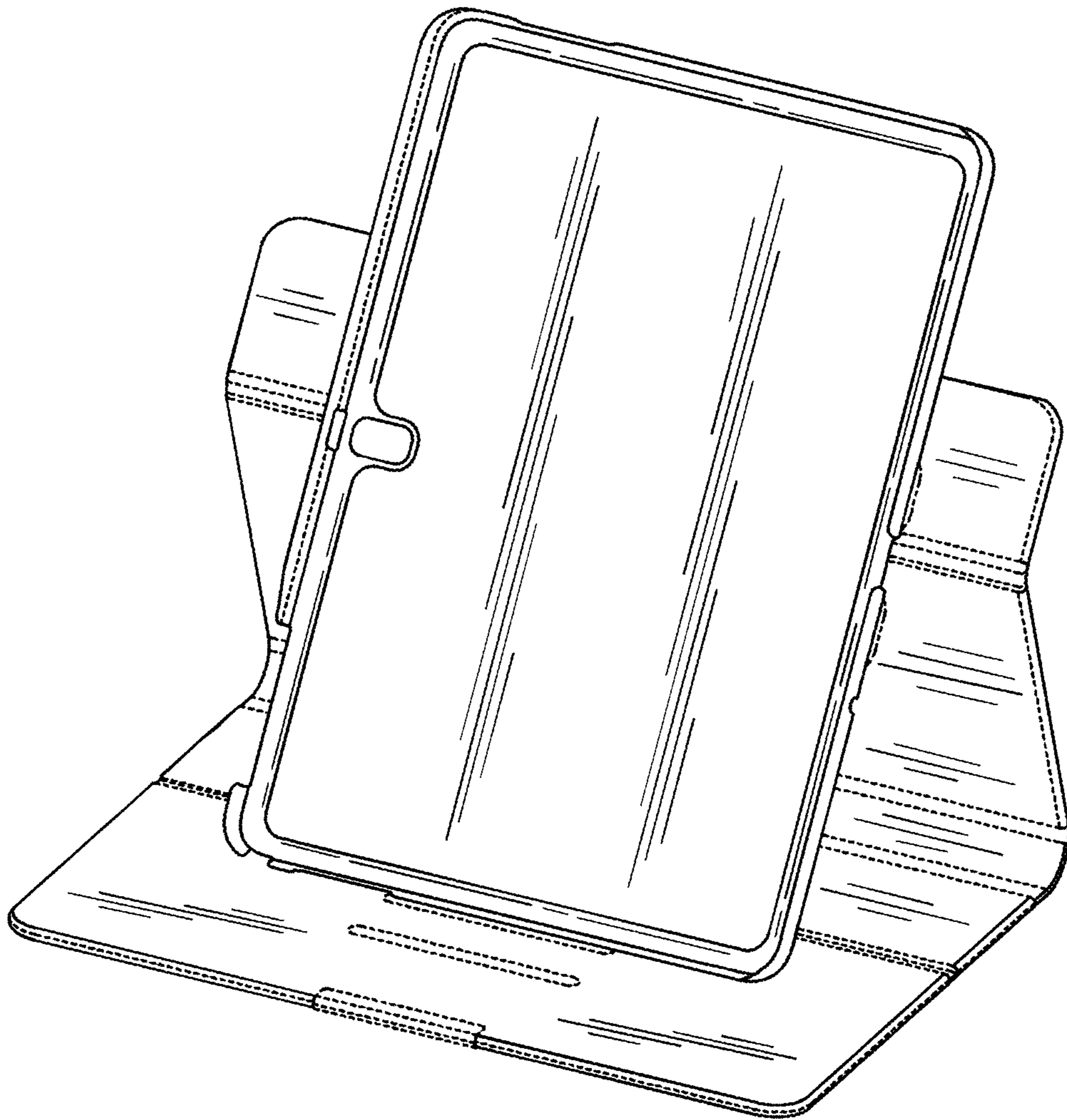


Fig. 10

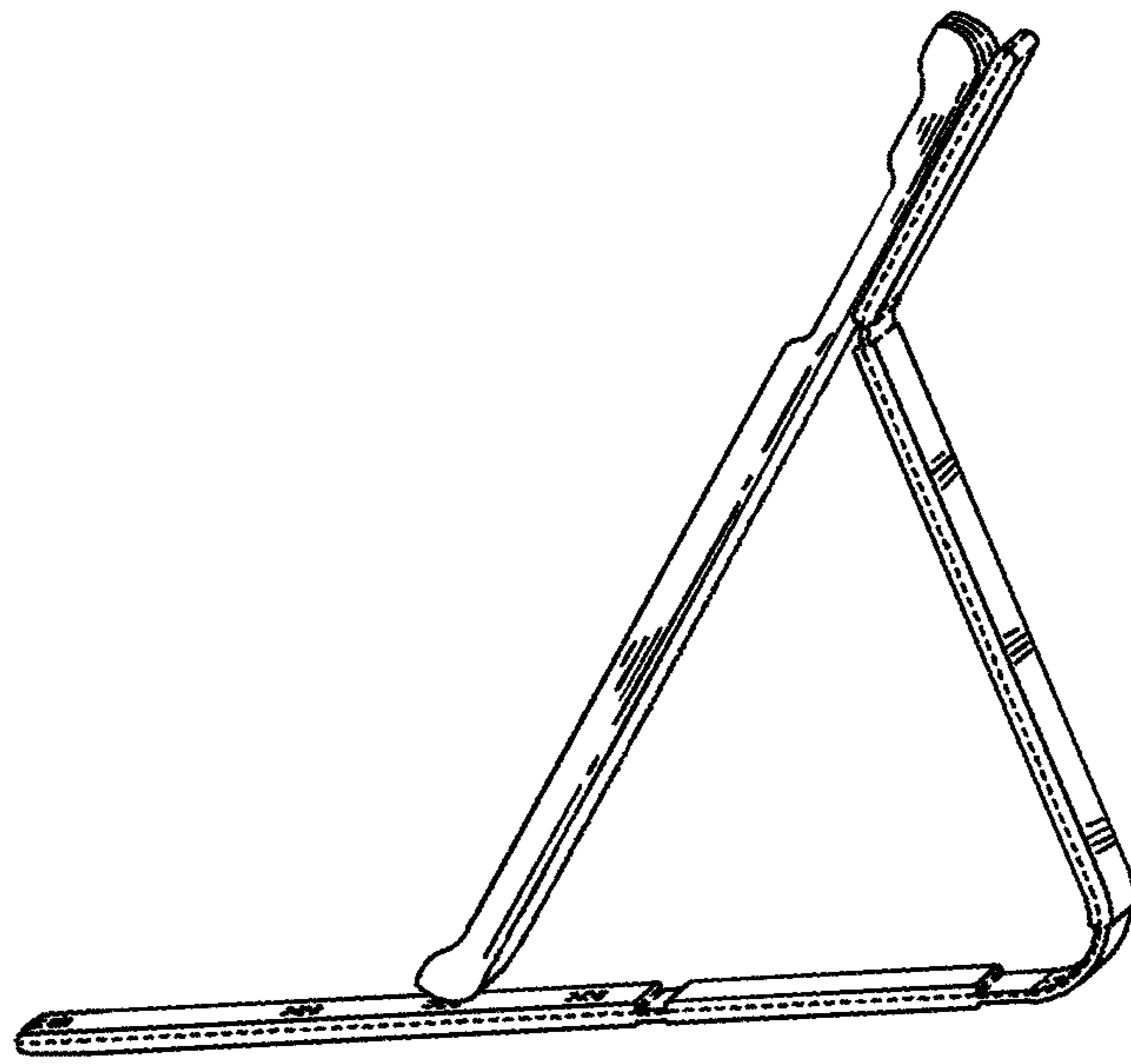


Fig. 11

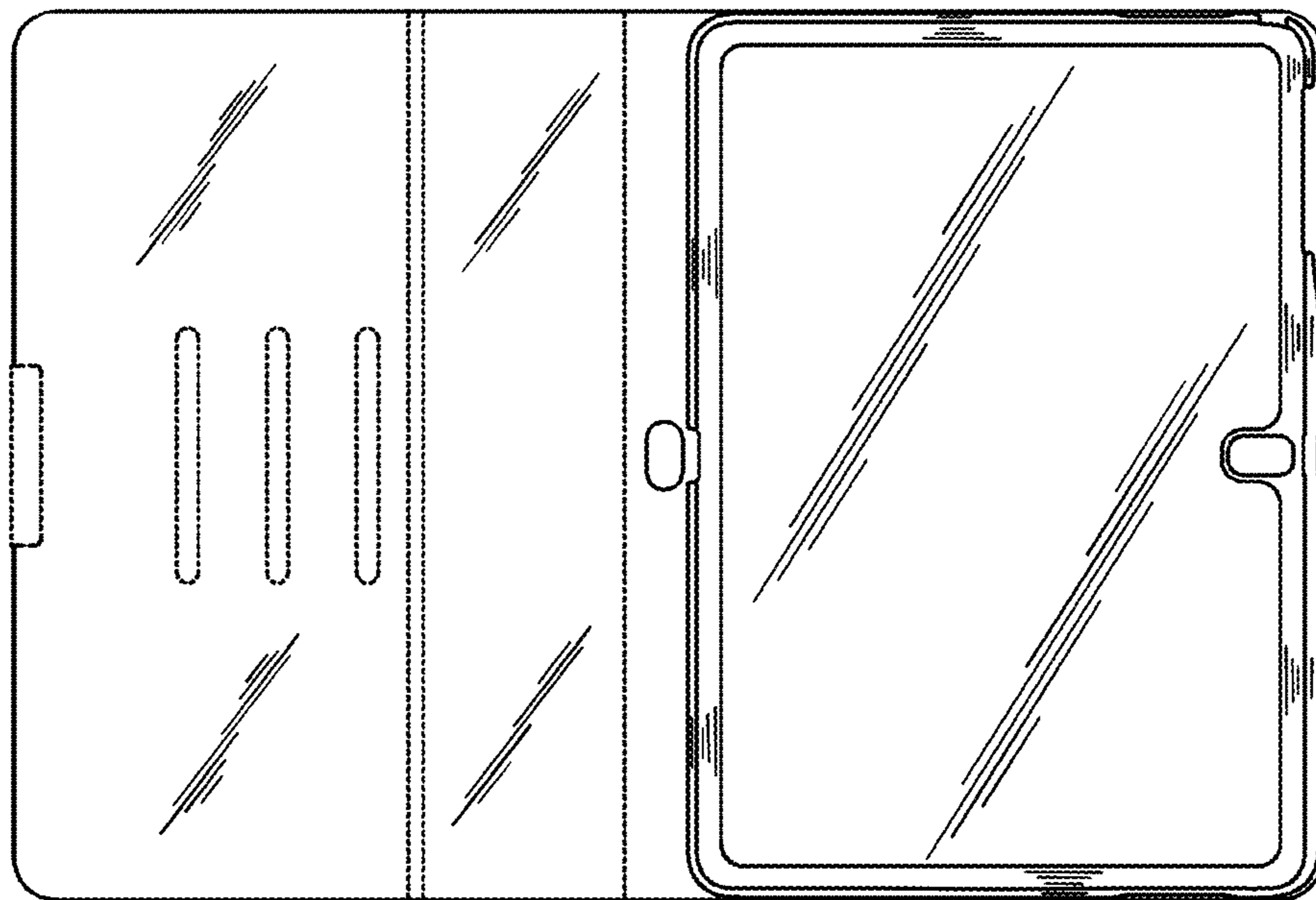


Fig. 12

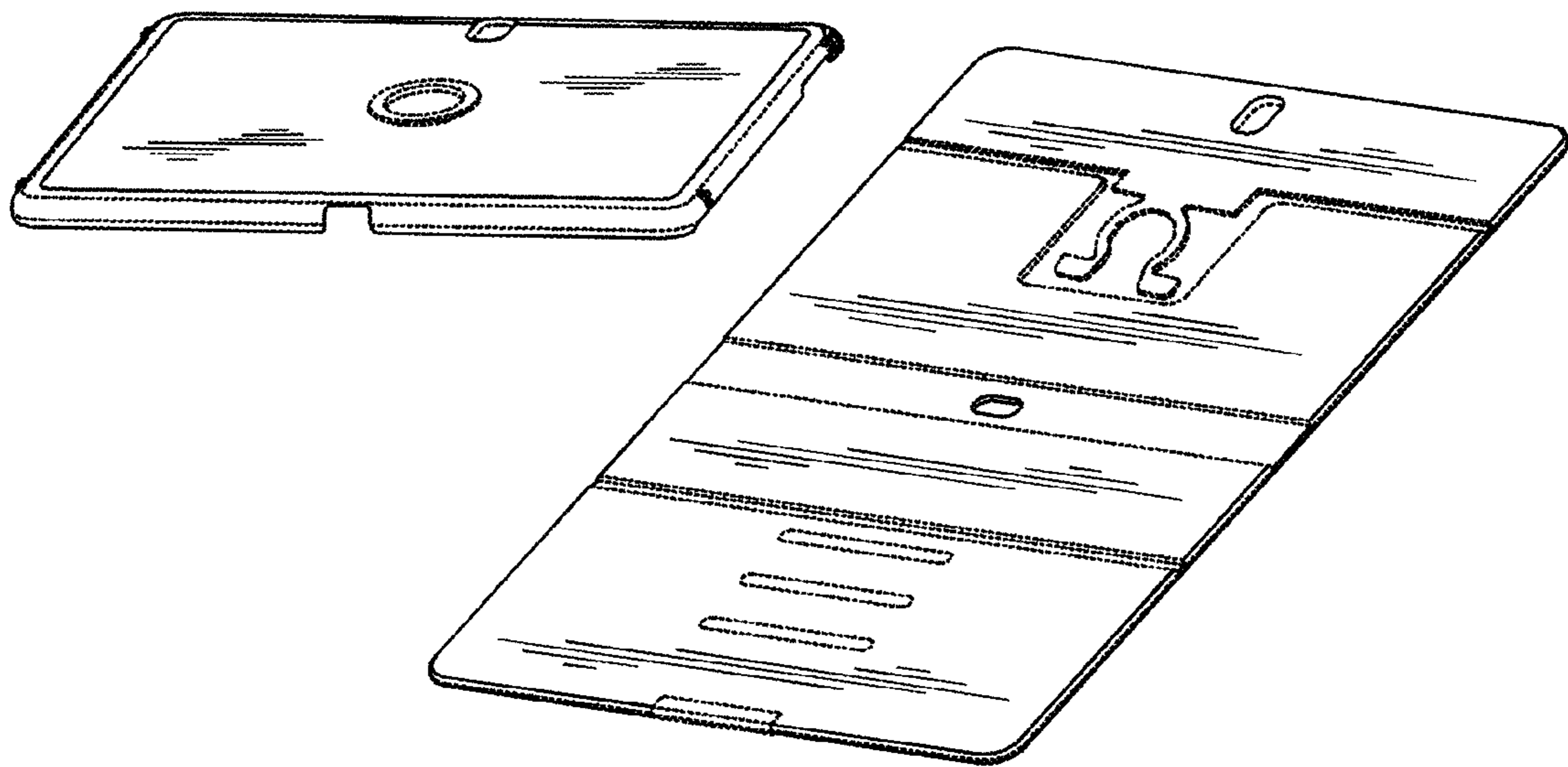


Fig. 13

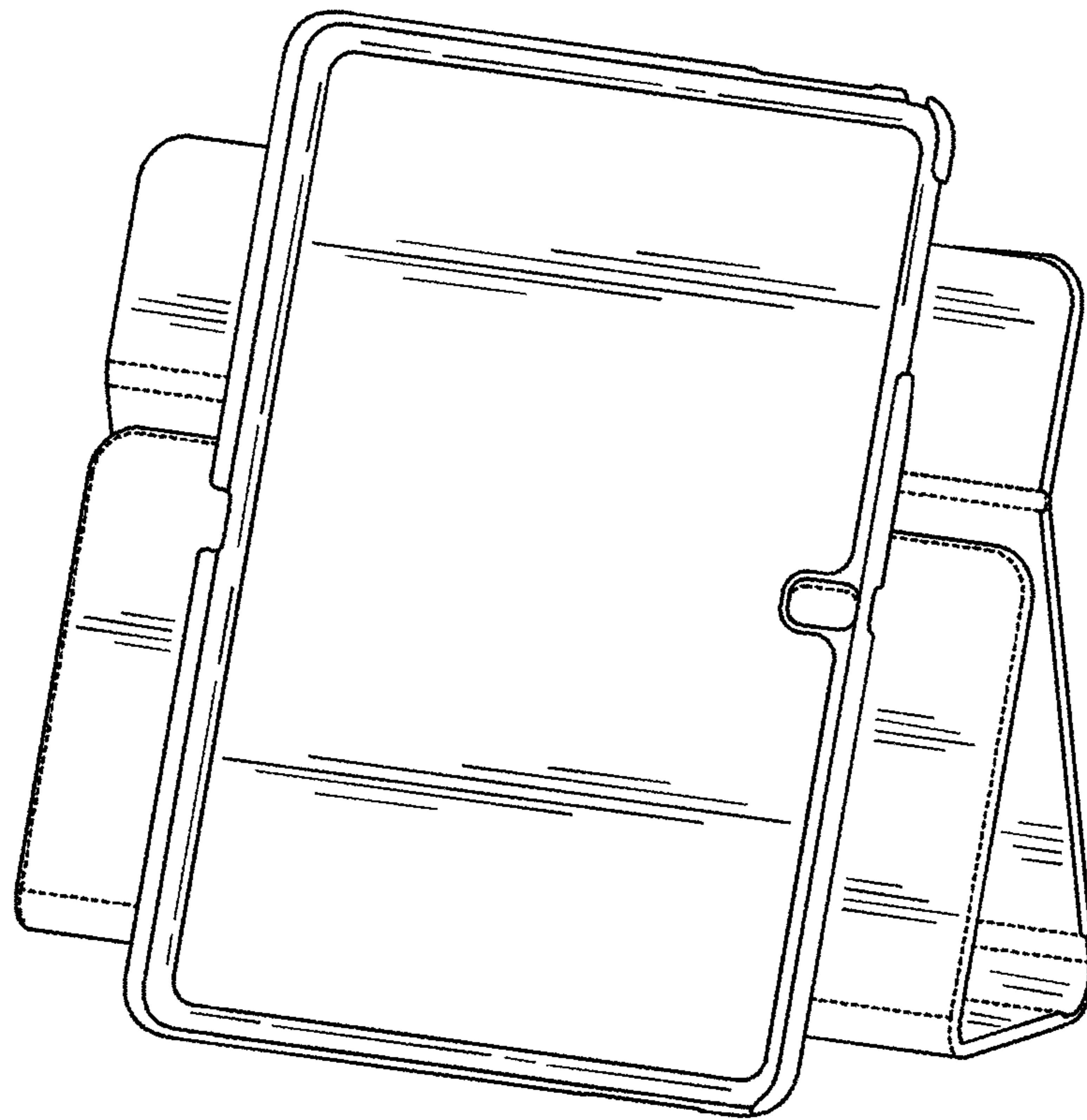


Fig. 14