



US00D729249S

(12) **United States Design Patent**
Sun et al.

(10) **Patent No.:** **US D729,249 S**
(45) **Date of Patent:** **** May 12, 2015**

(54) **MEMORY ACCESS DEVICE**

(71) Applicant: **Silicon Power Computer & Communications Inc., Taipei (TW)**

(72) Inventors: **Po-Ming Sun, Taipei (TW); Chao-Hung Huang, Taipei (TW); Chen-Yu Wang, Taipei (TW); Hung-Sheng Huang, Taipei (TW)**

(73) Assignee: **Silicon Power Computer & Communications Inc., Taipei (TW)**

(**) Term: **14 Years**

(21) Appl. No.: **29/494,606**

(22) Filed: **Jun. 23, 2014**

(30) **Foreign Application Priority Data**

Dec. 25, 2013 (TW) 102308369

(51) **LOC (10) CL.** **14-02**

(52) **U.S. CL.**
USPC **D14/435**

(58) **Field of Classification Search**

CPC G06K 19/06196; G06K 19/072; G06K 19/0721; G06K 19/0722; G06K 19/0723; G06K 19/0724; G06K 19/0725; G06K 19/0726; G06K 19/0727; G06K 19/0728; G06K 19/073; G06K 19/07309; G06K 19/077; G06K 19/07701; G06K 19/07715; G06K 19/0772; G06K 19/07724; G06K 19/07726; G06K 19/07728; G06F 21/77-21/80; G06F 21/85-21/88; G06F 21/00; G06Q 20/3229; G06Q 20/34; G06Q 20/341; G06Q 20/346; G06Q 20/349; G06Q 20/3563; G06Q 20/3567; G06Q 20/357; G06Q 20/3576; H05K 5/026; H05K 5/0256; H05K 5/0265; H05K 5/0269; H05K 5/0273; H05K 5/0278; H05K 5/0282; H05K 5/0286; H05K 5/0291; H05K 5/0295; H05K 5/03; H05K 5/04; H05K 5/06; H05K 5/061; H05K 5/062; H05K 5/063; H05K 5/064; H05K 5/065; H05K 5/066; H05K

5/067; H05K 5/068; H05K 5/069; H05K 7/00; H05K 7/005; H05K 7/02; H05K 7/023; H05K 7/026; H05K 7/04; H05K 7/10; H05K 7/1418; H05K 7/142; H05K 7/1424; H05K 7/1427-7/1439; H05K 7/1461; H05K 7/1464-7/1474; H05K 7/1479; H05K 7/1481; H05K 7/1485-7/1488; H05K 2201/09745; H05K 2201/09754; H05K 2201/09763; H05K 2201/09772; H05K 2201/098; H05K 2201/09818; H05K 2201/10; H05K 2201/10007; H04N 2201/216
USPC 2/DIG. 6; 5/417, 419-420, 465, 5/632-634; 108/43; 248/118, 118.1, 248/118.3, 118.5, 205.2, 346, 346.01, 248/346.07, 346.1, 438, 633, 918; 273/338, 273/438, DIG. 30; 297/218.1, 228.12, 352, 297/377, 440.1, 440.11, 440.15, 452.1, 297/452.16; 312/208.1-208.4, 223.2, 322; 340/710; 345/163, 173; 360/69, 97.02; 361/679.33-679.45; 400/412, 400/713-715; 428/137-138, 140, 304.4, 428/457; 442/9; D3/273; D6/201, 204, D6/429-431, 449, 474, 509-510; D9/432; D10/65, 75, 78; D13/103, 119, 162, D13/184, 199; D14/110, 114, 125, 240, D14/242, 299-302, 314, 348-370, 435-438, D14/496, 478-480; D18/1, 7, 9, 11

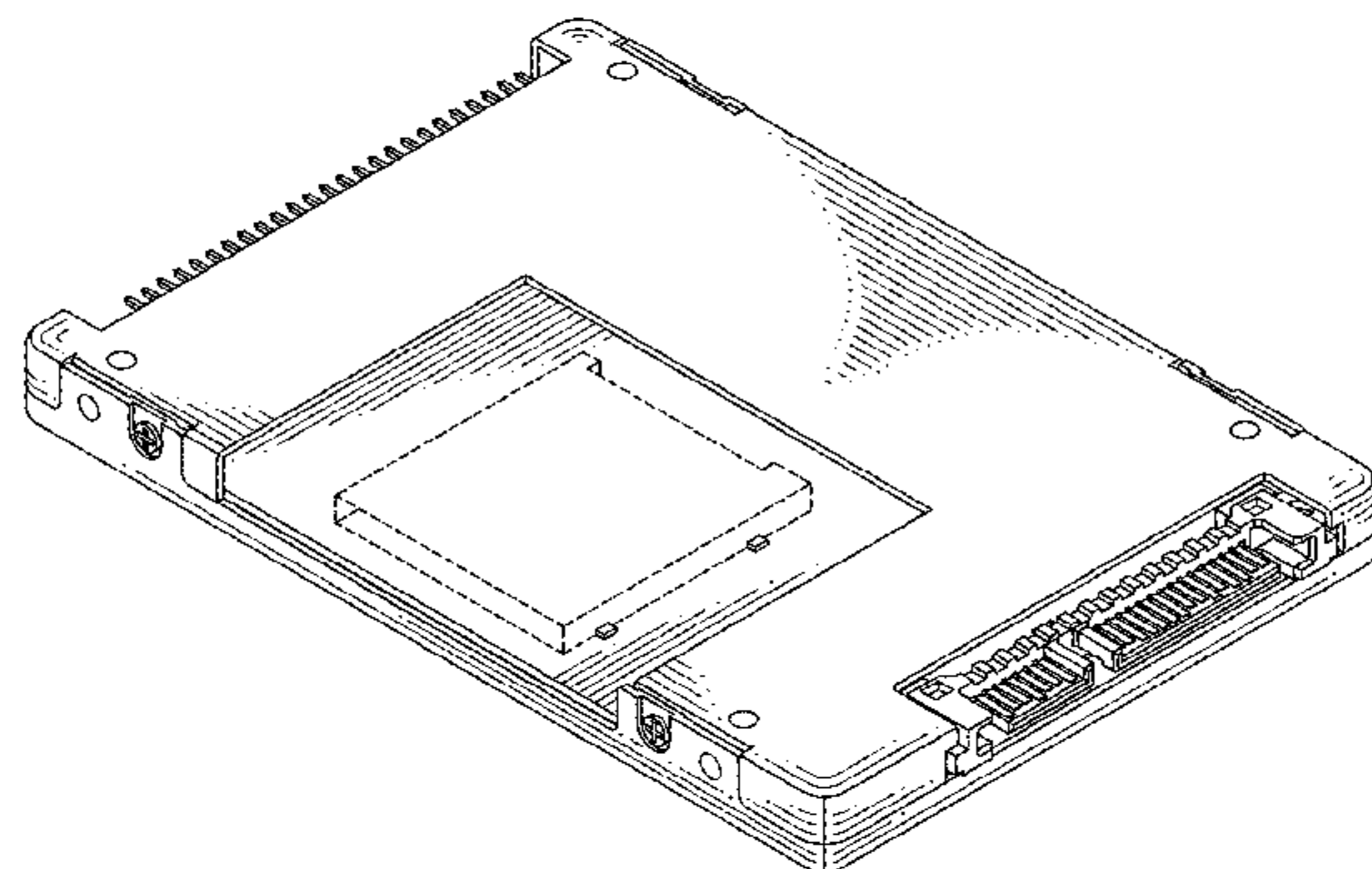
See application file for complete search history.

(56)

References Cited

U.S. PATENT DOCUMENTS

3,895,267 A * 7/1975 Gordon et al. 361/728
D264,583 S * 5/1982 Kessler D13/184
4,383,007 A * 5/1983 Murphy 429/1
D277,189 S * 1/1985 Shibata D14/438
D284,195 S * 6/1986 Davis et al. D14/438
D287,253 S * 12/1986 Satake D18/12
D290,705 S * 7/1987 Yomo D14/435
D291,317 S * 8/1987 Sharp D14/356
D296,440 S * 6/1988 Smith et al. D14/432
D298,327 S * 11/1988 Kimura D14/436
D298,629 S * 11/1988 Mochizuki D14/438
D304,448 S * 11/1989 De La Cruz et al. D14/436
D305,886 S * 2/1990 Banjo et al. D14/436
D311,391 S * 10/1990 Ueshin et al. D14/438



D320,225 S *	9/1991	Ido et al.	D18/12	7,994,898 B2 *	8/2011	Ozolins	340/5.82
D325,573 S *	4/1992	Glegg et al.	D14/438	D651,167 S *	12/2011	Lemelman et al.	D13/103
D331,573 S *	12/1992	Iino	D14/434	D652,041 S *	1/2012	Andre et al.	D14/436
D332,254 S *	1/1993	Hofland et al.	D14/356	D659,146 S *	5/2012	Koh et al.	D14/436
D333,464 S *	2/1993	Yoshida	D14/435	D659,694 S *	5/2012	Sumita	D14/356
D336,746 S *	6/1993	Tse	D14/433	D662,498 S *	6/2012	Morgan et al.	D14/356
D340,699 S *	10/1993	Chen	D13/164	D669,427 S *	10/2012	Ignor et al.	D13/103
D348,448 S *	7/1994	Read et al.	D14/365	D673,921 S *	1/2013	Ozawa	D13/182
5,330,360 A *	7/1994	Marsh et al.	439/76.1	D673,922 S *	1/2013	Moriai et al.	D13/182
5,476,387 A *	12/1995	Ramey et al.	439/76.1	D674,333 S *	1/2013	Lemelman et al.	D13/103
D366,472 S *	1/1996	Youens	D14/367	D674,367 S *	1/2013	Dernier	D14/125
5,534,366 A *	7/1996	Hwang et al.	429/91	D678,188 S *	3/2013	Sasada	D13/103
D375,941 S *	11/1996	Kerklaan	D13/182	D681,629 S *	5/2013	Lin et al.	D14/315
D376,133 S *	12/1996	Kerklaan	D13/182	D684,529 S *	6/2013	Moon et al.	D13/103
D379,350 S *	5/1997	Kerklaan	D13/182	D684,530 S *	6/2013	Moon et al.	D13/103
D385,858 S *	11/1997	Sherry	D14/356	D684,531 S *	6/2013	Moon et al.	D13/103
D386,742 S *	11/1997	Amero et al.	D13/103	D684,532 S *	6/2013	Ignor et al.	D13/103
5,793,627 A *	8/1998	Caldes et al.	363/146	D685,319 S *	7/2013	Ignor et al.	D13/103
5,816,838 A *	10/1998	Del Prete et al.	439/326	D685,787 S *	7/2013	Seoc et al.	D14/367
D403,662 S *	1/1999	Caldes et al.	D13/110	D686,148 S *	7/2013	Inaba	D13/103
D412,326 S *	7/1999	Gianfagna et al.	D14/435	D689,019 S *	9/2013	Sato et al.	D13/103
D414,158 S *	9/1999	Frye et al.	D13/103	D689,859 S *	9/2013	Kurata	D14/365
D416,886 S *	11/1999	Hirai et al.	D14/436	D691,608 S *	10/2013	Samuels et al.	D14/434
D422,263 S *	4/2000	Waldner	D13/103	D691,609 S *	10/2013	Woodman et al.	D14/434
D423,449 S *	4/2000	Naskali	D13/103	D693,292 S *	11/2013	Salvi et al.	D13/103
D427,167 S *	6/2000	Iwasaki	D14/436	D693,816 S *	11/2013	Koh et al.	D14/436
D434,040 S *	11/2000	Yasufuku et al.	D14/433	8,599,562 B2 *	12/2013	Sun	361/727
D434,042 S *	11/2000	Yasufuku et al.	D14/436	D706,779 S *	6/2014	Kawasaki et al.	D14/356
D435,256 S *	12/2000	Hibino	D14/435	D718,307 S *	11/2014	Ozolins et al.	D14/383
D444,448 S *	7/2001	Robinson et al.	D13/103	D720,687 S *	1/2015	Hasbrook	D13/103
6,256,878 B1 *	7/2001	Keane	29/841	D721,706 S *	1/2015	Rooyackers et al.	D14/435
D449,835 S *	10/2001	Ohtani	D14/436	2005/0044333 A1 *	2/2005	Browning	711/164
6,320,252 B1 *	11/2001	Potters et al.	257/679	2005/0204086 A1 *	9/2005	Le et al.	710/301
6,347,023 B1 *	2/2002	Suwa	360/264.8	2008/0089020 A1 *	4/2008	Hiew et al.	361/684
D457,521 S *	5/2002	Sherry	D14/367	2012/0127650 A1 *	5/2012	Wang et al.	361/679.33
D458,267 S *	6/2002	Goto	D14/436	2012/0236489 A1 *	9/2012	Foo et al.	361/679.32
6,404,647 B1 *	6/2002	Minne'	361/760	2013/0262764 A1 *	10/2013	Jow	711/115
6,501,163 B1 *	12/2002	Utsumi	257/679	2014/0331009 A1 *	11/2014	Parsonese et al.	711/115
D478,866 S *	8/2003	Nakai	D13/103	2014/0365714 A1 *	12/2014	Sweere et al.	711/103
6,629,193 B1 *	9/2003	Browning	711/104				
D481,995 S *	11/2003	Yokota	D13/103				
D482,365 S *	11/2003	Yamagishi et al.	D14/442				
D485,530 S *	1/2004	Ogasawara	D13/103				
D488,815 S *	4/2004	Hashimoto et al.	D14/433				
D490,080 S *	5/2004	Alviar et al.	D14/433				
D501,208 S *	1/2005	Ozolins et al.	D14/383				
D524,241 S *	7/2006	Takeshita et al.	D13/103				
7,242,552 B2 *	7/2007	Kudo et al.	360/97.12				
D548,738 S *	8/2007	Doyle et al.	D14/432				
D555,587 S *	11/2007	Yamamoto et al.	D13/103				
D560,665 S *	1/2008	Wang et al.	D14/432				
D565,568 S *	4/2008	Trifilio et al.	D14/356				
D577,581 S *	9/2008	Koza	D9/432				
D580,438 S *	11/2008	Kuchler	D14/385				
D581,925 S *	12/2008	Otsuka	D14/356				
D582,345 S *	12/2008	Ham et al.	D13/133				
D585,448 S *	1/2009	Kawaguchi et al.	D14/435				
D594,402 S *	6/2009	Inoue et al.	D13/103				
D622,659 S *	8/2010	Soeda et al.	D13/103				
D628,571 S *	12/2010	Wang	D14/356				
D631,051 S *	1/2011	DeFronzo	D14/434				
D632,696 S *	2/2011	Koh et al.	D14/436				
D637,193 S *	5/2011	Andre et al.	D14/436				
7,944,703 B2 *	5/2011	Ni et al.	361/752				
D640,646 S *	6/2011	Wu et al.	D14/125				
D641,362 S *	7/2011	Dublin	D14/356				
D642,980 S *	8/2011	Inaba	D13/119				

* cited by examiner

Primary Examiner — Susan Moon Lee
(74) Attorney, Agent, or Firm — Guice Patents PLLC

(57) CLAIM

We claim the ornamental design for a memory access device, as shown and described.

DESCRIPTION

FIG. 1 is a perspective view of a memory access device according to the present design;
FIG. 2 is a front view thereof;
FIG. 3 is a rear view thereof;
FIG. 4 is a left side view thereof;
FIG. 5 is a right side view thereof;
FIG. 6 is a top view thereof; and,
FIG. 7 is a bottom view thereof.
Broken lines and entirely unshaded portions contained within broken line are not claimed.

1 Claim, 4 Drawing Sheets

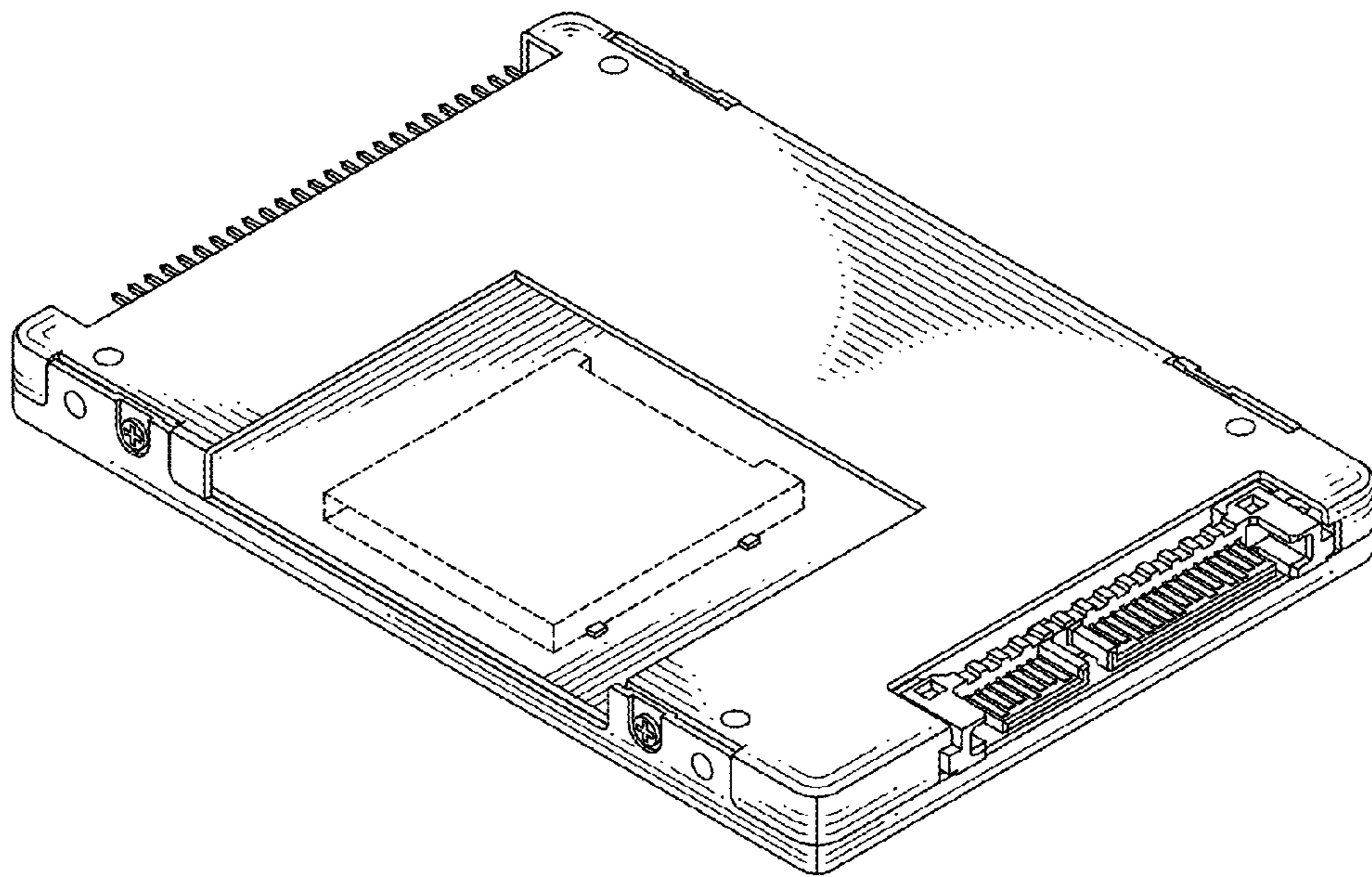


FIG. 1

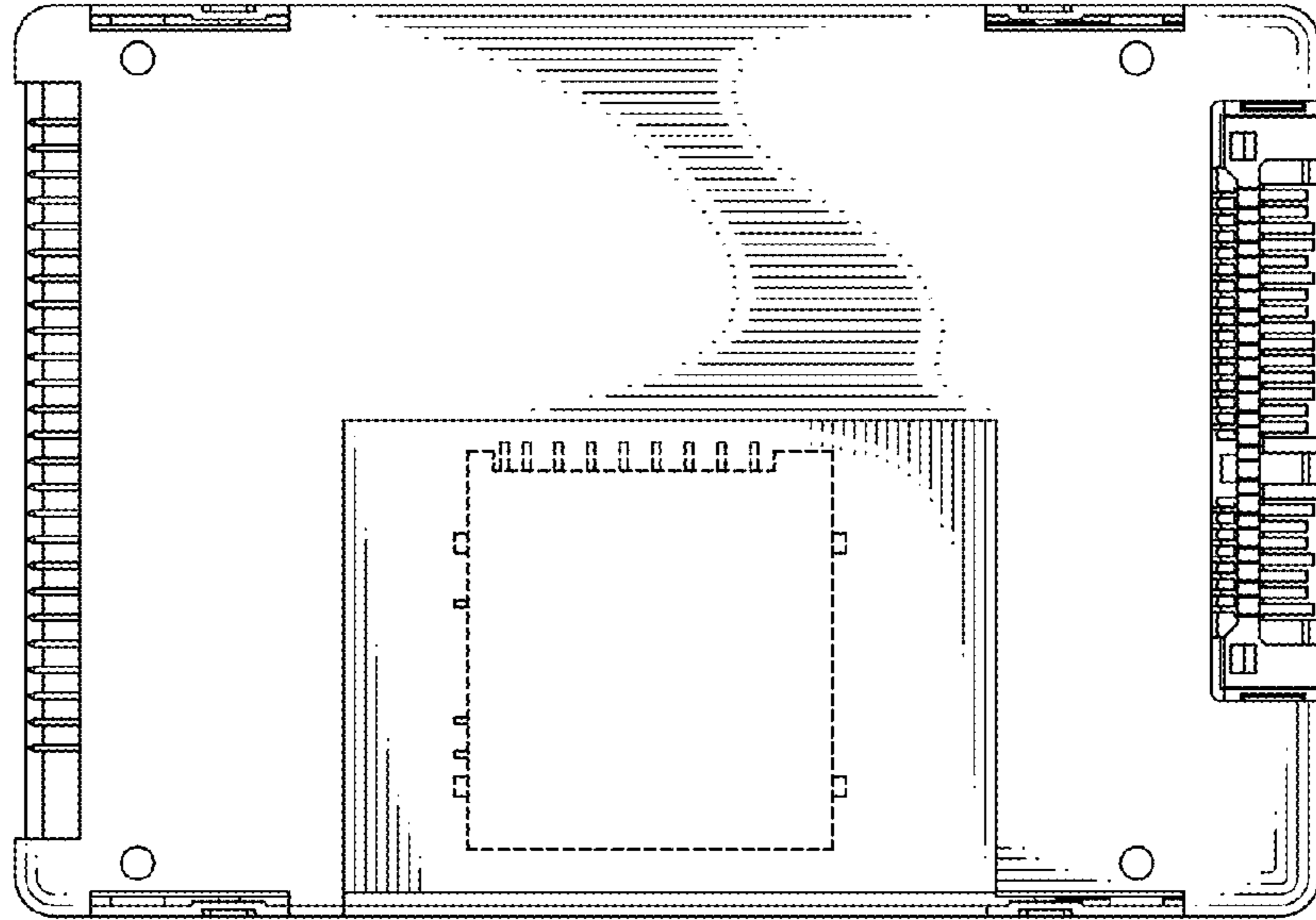


FIG. 2

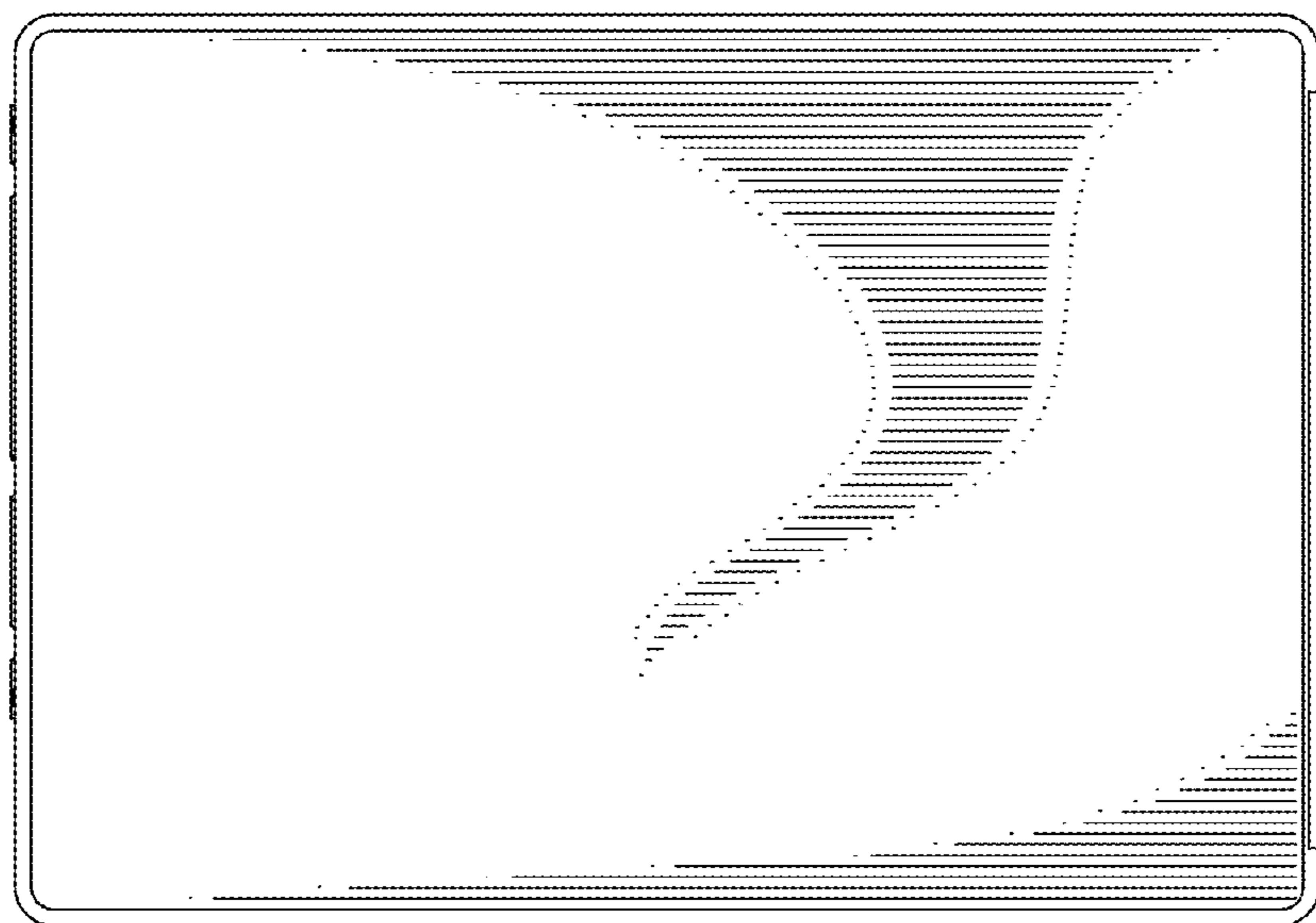


FIG. 3

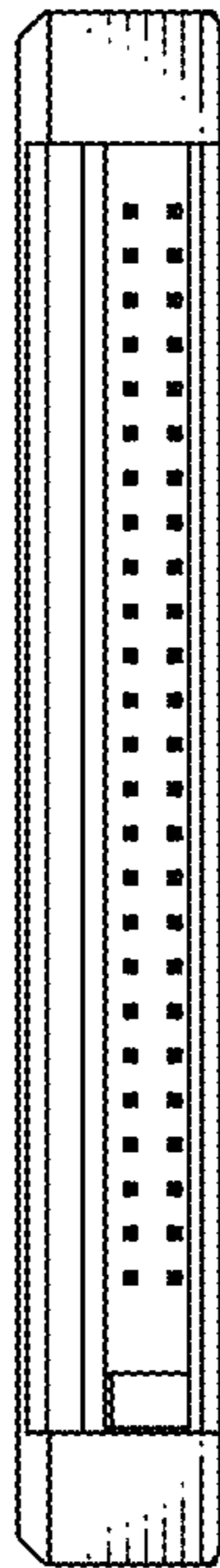


FIG. 4

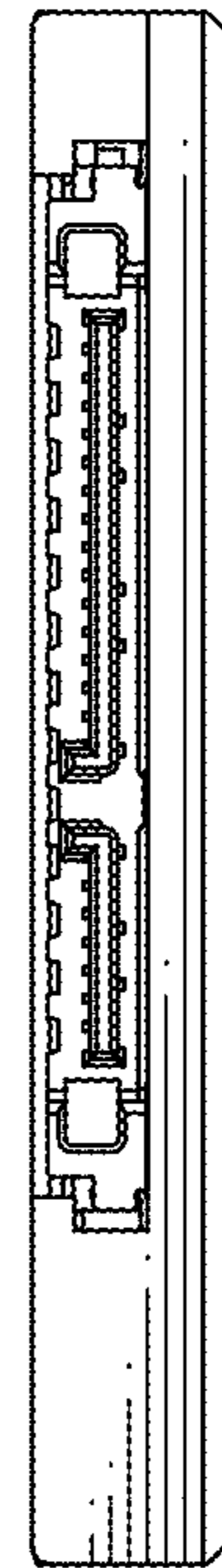


FIG. 5

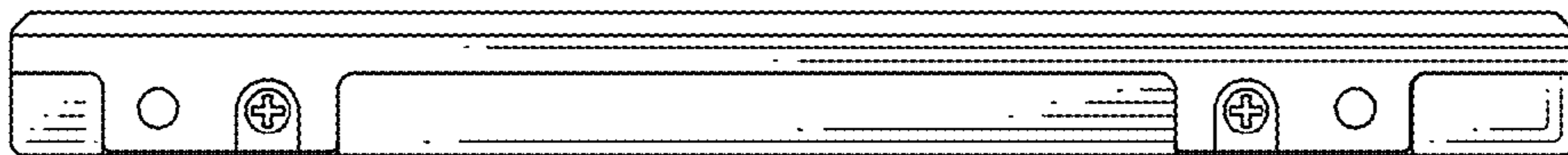


FIG. 6

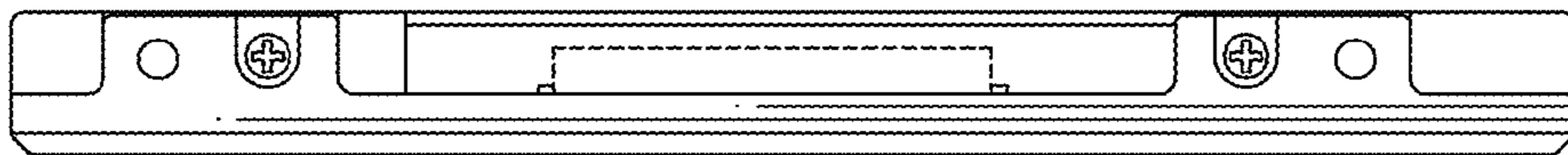


FIG. 7