



US00D729247S

(12) **United States Design Patent**
Hackett et al.

(10) **Patent No.:** **US D729,247 S**

(45) **Date of Patent:** **** May 12, 2015**

(54) **MOBILE COMPUTER**

(71) Applicant: **Symbol Technologies, Inc.**,
Schaumburg, IL (US)

(72) Inventors: **Edward Hackett**, Surbiton (GB); **Mark Fountain**, London (GB); **Nickolas Ovvadias**, Abingdon (GB); **Jorg Schlieffers**, Marcham (GB)

(73) Assignee: **Symbol Technologies, Inc.**, Holtsville, NY (US)

(**) Term: **14 Years**

(21) Appl. No.: **29/492,276**

(22) Filed: **May 29, 2014**

(51) **LOC (10) Cl.** **14-02**

(52) **U.S. Cl.**
USPC **D14/426**

(58) **Field of Classification Search**

CPC G06F 1/626; G06F 1/1626; G06F 1/1656;
G06F 1/1632; G06F 1/1684; G06F 1/1635;
G06F 8/63; G06F 17/30091; G06F 9/4401;
G06K 7/10881; G06K 7/1098; G06K 7/10722;
G06K 7/1404; G06K 7/0004; G06K 7/10633;
G06K 7/10851; G06K 7/1091; G06K 7/1092;
G06K 7/1093; G06K 7/10; G06K 7/109;
G06K 7/1417; G06K 9/228; G06K 17/0022;
G06K 17/00; G06K 2207/1011; G06K
2207/1013; G06K 2207/1016; G06K
2207/1018; G06K 2017/0051; G06K
2017/0067; G06K 2007/10524; G07G 1/0081;
G07G 1/009; G06Q 20/20; G06Q 20/201;
G06Q 20/202; G06Q 20/203; G06Q 20/30;
G06Q 20/32; G06Q 20/322; G06Q 20/4014;
G06Q 10/087; H04N 1/00127; H04N 1/00135;
H04N 1/00326; H04N 1/00334; H04N
1/00307; H04N 1/107; H04N 2201/0084;
H04N 2101/00; H04M 1/0249; H04M 1/0262;
H04M 1/0266; H04M 1/18; H04M 1/23;
H04M 1/236; H04B 1/3827; H04B 1/3833;
H04B 1/3877; H04B 1/3883; H04B 1/3888;
H04B 2001/3894; H01M 2/1066

USPC D14/420, 426–430, 453, 346, 341, 347,
D14/412, 138; D13/107, 184; 358/473;
235/462.43, 462.45, 462.47, 462.48,
235/462.44, 462.46, 487, 472.01, 472.02,
235/145 A, 145 R; D10/78; 324/426;
D3/273; 710/73; D18/7; 361/679, 728,
361/679.56; 382/313, 321; 455/575.1, 561,
455/572; 345/156, 168, 169, 172, 173, 87;
705/17, 18, 22–25

See application file for complete search history.

(56) **References Cited**

U.S. PATENT DOCUMENTS

D206,158 S * 11/1966 Perkins et al. D10/78
D338,417 S * 8/1993 Van Aken et al. D10/78

(Continued)

OTHER PUBLICATIONS

Personal Shopping System (PSS) from Symbol Technology—“Generate Loyalty and Higher Revenue with a Personalized Shopping Experience”—extracted from <http://www.symbol.com/product.php?productID=210>—4 pages—Copyright 1994-2014—Motorola, Inc.

Primary Examiner — Susan Moon Lee

(57)

CLAIM

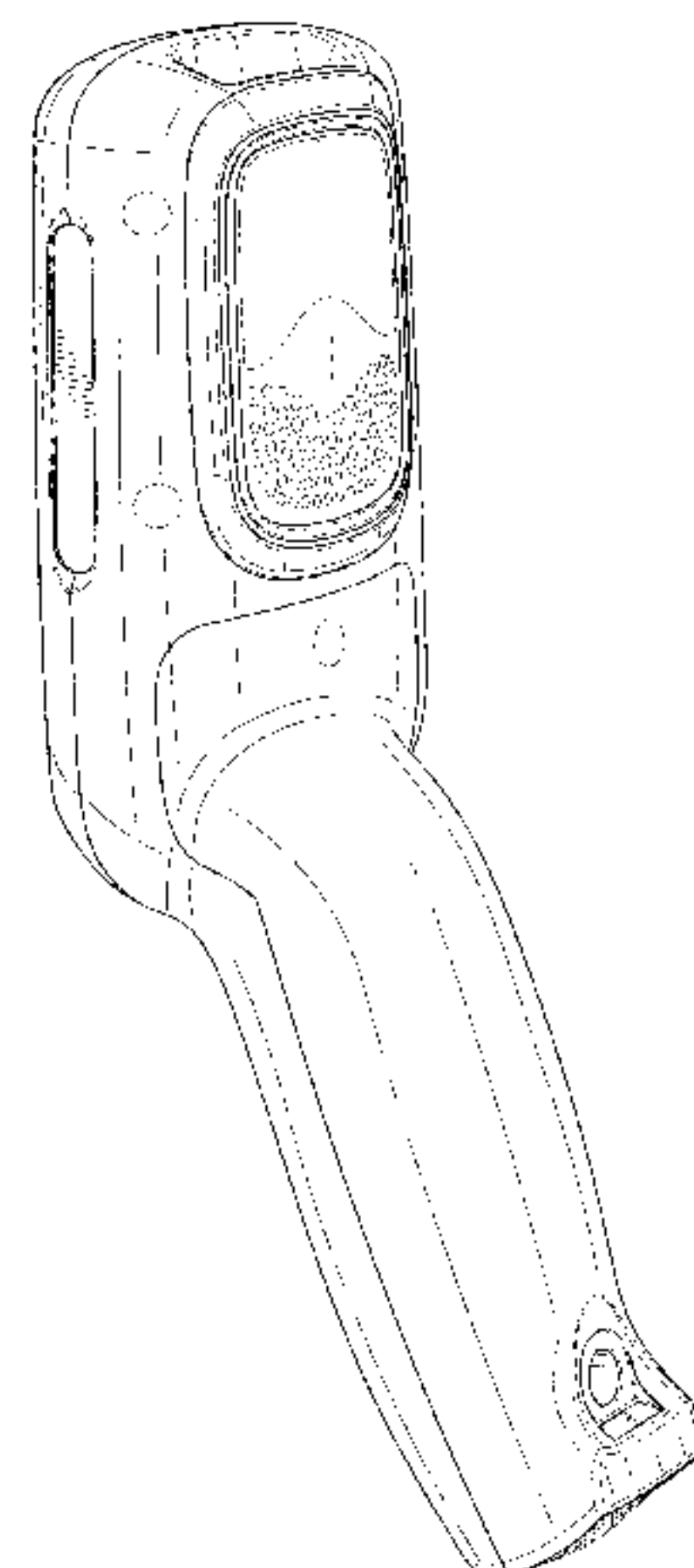
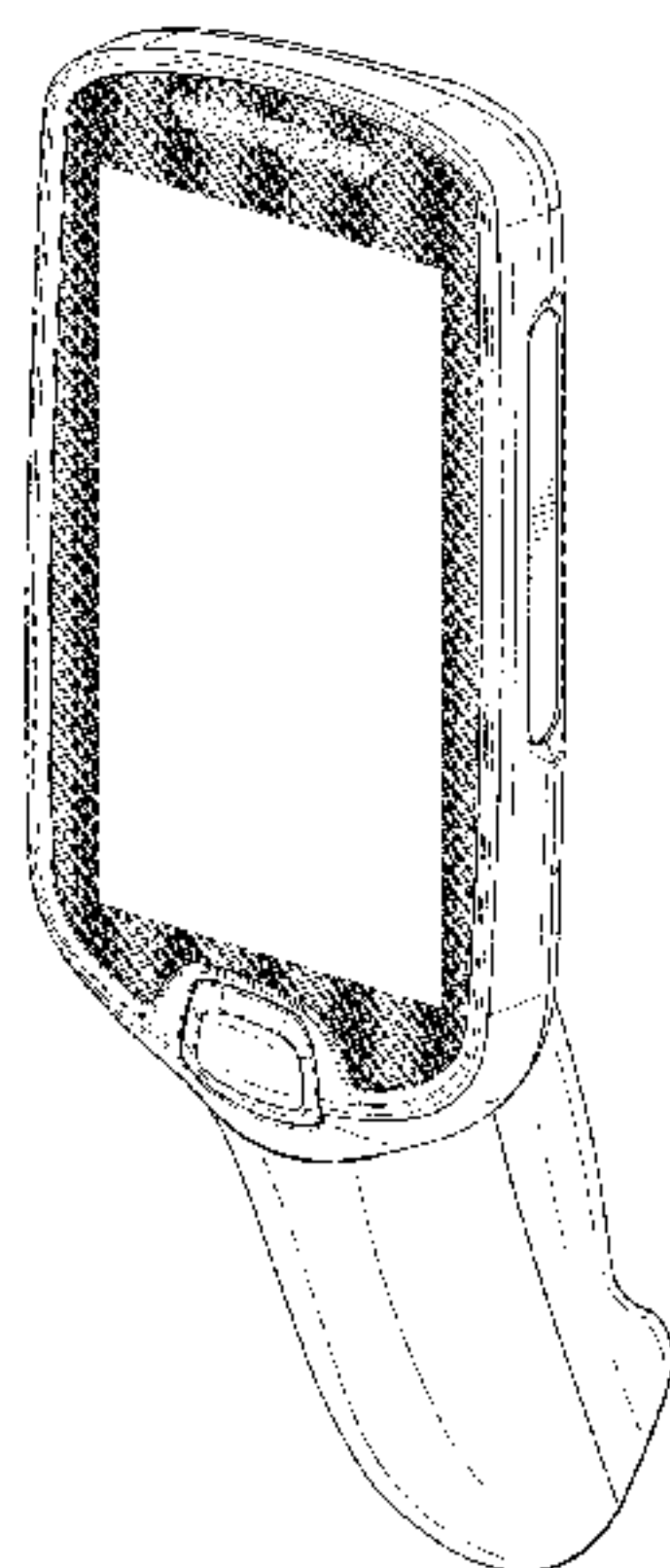
The ornamental design for a mobile computer, as shown and described.

DESCRIPTION

FIG. 1 is a front perspective view of an ornamental design for a mobile computer;
FIG. 2 is a rear perspective view thereof;
FIG. 3 is a front view thereof;
FIG. 4 is a rear view thereof;
FIG. 5 is a first side view thereof;
FIG. 6 is a second side view thereof;
FIG. 7 is a top view thereof; and,
FIG. 8 is a bottom view thereof.

The broken lines and unshaded portions contained within broken lines are not claimed.

1 Claim, 7 Drawing Sheets



(56)

References Cited

U.S. PATENT DOCUMENTS

- 5,237,162 A * 8/1993 Harden et al. 235/462.48
5,349,497 A * 9/1994 Hanson et al. 361/679.58
5,373,317 A * 12/1994 Salvati et al. 348/65
5,521,370 A * 5/1996 Hanson 235/472.01
D370,922 S * 6/1996 Onoda et al. D16/208
D377,347 S * 1/1997 Karlin D14/428
5,600,121 A * 2/1997 Kahn et al. 235/462.48
D394,855 S * 6/1998 Ahearn et al. D14/429
5,786,585 A * 7/1998 Eastman et al. 235/462.15
5,805,416 A * 9/1998 Friend et al. 361/679.32
5,905,248 A * 5/1999 Russell et al. 235/462.15
D416,883 S * 11/1999 Wagner et al. D14/426
5,979,770 A * 11/1999 Schlieffers et al. 235/472.01
5,996,896 A * 12/1999 Grabon 235/472.02
D419,546 S * 1/2000 Krantz et al. D14/426
6,158,662 A * 12/2000 Kahn et al. 235/472.01
6,244,513 B1 * 6/2001 Schlieffers et al. 235/472.01
6,338,434 B1 * 1/2002 Wilz et al. 235/462.01
D455,430 S * 4/2002 Krantz D14/426
D455,750 S * 4/2002 Krantz D14/426
D456,808 S * 5/2002 Fitch et al. D14/428
6,394,355 B1 * 5/2002 Schlieffers et al. 235/472.01
6,407,911 B1 * 6/2002 Spence et al. 361/679.3
D460,370 S * 7/2002 Price et al. D10/78
6,467,688 B1 * 10/2002 Goldman et al. 235/472.01
D466,540 S * 12/2002 Lannestadt et al. D16/218
6,497,368 B1 * 12/2002 Friend et al. 235/472.01
6,502,754 B1 * 1/2003 Bhatia et al. 235/472.01
D470,847 S * 2/2003 Carlson et al. D14/428
6,595,420 B1 * 7/2003 Wilz et al. 235/462.01
6,619,546 B1 * 9/2003 Nguyen et al. 235/383
6,681,994 B1 * 1/2004 Koenck 235/472.01
6,700,489 B1 * 3/2004 Easter et al. 340/572.3
6,708,887 B1 * 3/2004 Garrett et al. 235/462.45
6,726,070 B2 * 4/2004 Lautner 224/221
D493,733 S * 8/2004 Chen D10/57
D494,584 S * 8/2004 Schlieffers et al. D14/346
6,811,086 B1 * 11/2004 Kumagai et al. 235/462.14
6,983,130 B2 * 1/2006 Chien et al. 455/90.3
D518,482 S * 4/2006 Hodges et al. D14/426
7,050,168 B2 * 5/2006 Overbeck et al. 356/407
D524,813 S * 7/2006 Nakajima et al. D14/426
7,157,705 B2 * 1/2007 Hamrelius et al. 250/330
7,236,243 B2 * 6/2007 Beecroft et al. 356/328
7,250,845 B2 * 7/2007 Young et al. 340/5.92
D559,386 S * 1/2008 Pease et al. D24/138
D560,804 S * 1/2008 Pease et al. D24/138
D567,123 S * 4/2008 Babb et al. D10/78
D569,378 S * 5/2008 Wanamaker D14/426
D574,838 S * 8/2008 Palmer D14/453
D575,295 S * 8/2008 Palmer et al. D14/453
D583,144 S * 12/2008 Vejnar D3/201
D583,262 S * 12/2008 Flandin et al. D10/57
D583,263 S * 12/2008 Sebban D10/57
D585,927 S * 2/2009 Sheard et al. D16/206
7,484,885 B1 * 2/2009 Carlson et al. 374/132
7,522,889 B2 * 4/2009 Wulff et al. 455/90.3
D594,361 S * 6/2009 Miller et al. D10/78
D594,555 S * 6/2009 Hsu D24/137
D599,392 S * 9/2009 Hamrelius D16/206
7,651,029 B1 * 1/2010 Mangaroo et al. 235/462.45
7,722,388 B1 * 5/2010 Michaeli et al. 439/534
D618,569 S * 6/2010 Guo D10/57
D623,080 S * 9/2010 Nguyen et al. D10/78
D633,095 S * 2/2011 Cullen et al. D14/453
D637,715 S * 5/2011 Clarke et al. D24/137
8,079,951 B2 * 12/2011 Yokota 600/120
8,136,984 B1 * 3/2012 Heinke 374/121
D658,222 S * 4/2012 Elrod et al. D16/206
D659,033 S * 5/2012 Bailey et al. D10/63
D665,440 S * 8/2012 Sigward D16/206
8,235,289 B2 * 8/2012 Hsu et al. 235/383
D667,040 S * 9/2012 Holmes D16/206
D668,561 S * 10/2012 Dunkin et al. D10/57
D671,121 S * 11/2012 Schickling et al. D14/426
D674,486 S * 1/2013 Onuma D24/137
D677,298 S * 3/2013 Hallgren D16/206
D687,727 S * 8/2013 Kehoe et al. D10/77
8,636,224 B2 * 1/2014 Wang 235/494
D706,786 S * 6/2014 Pollex D14/453
D710,424 S * 8/2014 Hallgren D16/206
RE45,181 E * 10/2014 Kumar 455/557
D719,205 S * 12/2014 Matsumoto D16/206
D723,605 S * 3/2015 Palm D16/206
2002/0022769 A1 * 2/2002 Smith et al. 600/188
2002/0099894 A1 * 7/2002 Kehoe et al. 710/300
2005/0017078 A1 * 1/2005 Bhatia et al. 235/462.45
2005/0259797 A1 * 11/2005 Swartz et al. 379/93.12
2006/0105722 A1 * 5/2006 Kumar 455/90.3
2006/0266841 A1 * 11/2006 Hansen et al. 235/472.02
2007/0075142 A1 * 4/2007 Bellows et al. 235/451
2007/0106121 A1 * 5/2007 Yokota et al. 600/188
2007/0165384 A1 * 7/2007 Vejnar 361/724
2008/0128499 A1 * 6/2008 Chen et al. 235/444
2008/0163504 A1 * 7/2008 Smith et al. 33/268
2009/0065150 A1 * 3/2009 Tharp et al. 156/384
2009/0109283 A1 * 4/2009 Scott et al. 348/65
2009/0116018 A1 * 5/2009 Austin et al. 356/445
2009/0168835 A1 * 7/2009 Heinke et al. 374/121
2009/0172591 A1 * 7/2009 Pomper 715/810
2009/0224039 A1 * 9/2009 Hause et al. 235/385
2009/0225159 A1 * 9/2009 Schneider et al. 348/82
2009/0239593 A1 * 9/2009 Jayasinghe et al. 455/575.1
2009/0257469 A1 * 10/2009 Jones et al. 374/133
2009/0322867 A1 * 12/2009 Carrey et al. 348/77
2010/0026498 A1 * 2/2010 Bellows et al. 340/572.7
2010/0072280 A1 * 3/2010 McGill et al. 235/462.13
2010/0101569 A1 * 4/2010 Kim et al. 128/203.12
2010/0148066 A1 * 6/2010 Stratmann et al. 250/330
2012/0048940 A1 * 3/2012 Chaumont et al. 235/462.21
2012/0069118 A1 * 3/2012 Mistyurik et al. 347/109
2012/0145793 A1 * 6/2012 Kearney 235/472.02
2012/0314083 A1 * 12/2012 Ratliff et al. 348/164
2013/0248601 A1 * 9/2013 Liang et al. 235/440
2013/0331148 A1 * 12/2013 Brough 455/557
2014/0018128 A1 * 1/2014 Martin et al. 455/556.1
2014/0045550 A1 * 2/2014 Rosenberg et al. 455/557
2014/0179372 A1 * 6/2014 Zajeski et al. 455/557
2014/0191644 A1 * 7/2014 Chaney 312/327
2014/0249942 A1 * 9/2014 Hicks et al. 705/17
2014/0319221 A1 * 10/2014 Oberpriller et al. 235/462.13
2015/0040002 A1 * 2/2015 Kannan et al. 715/246

* cited by examiner

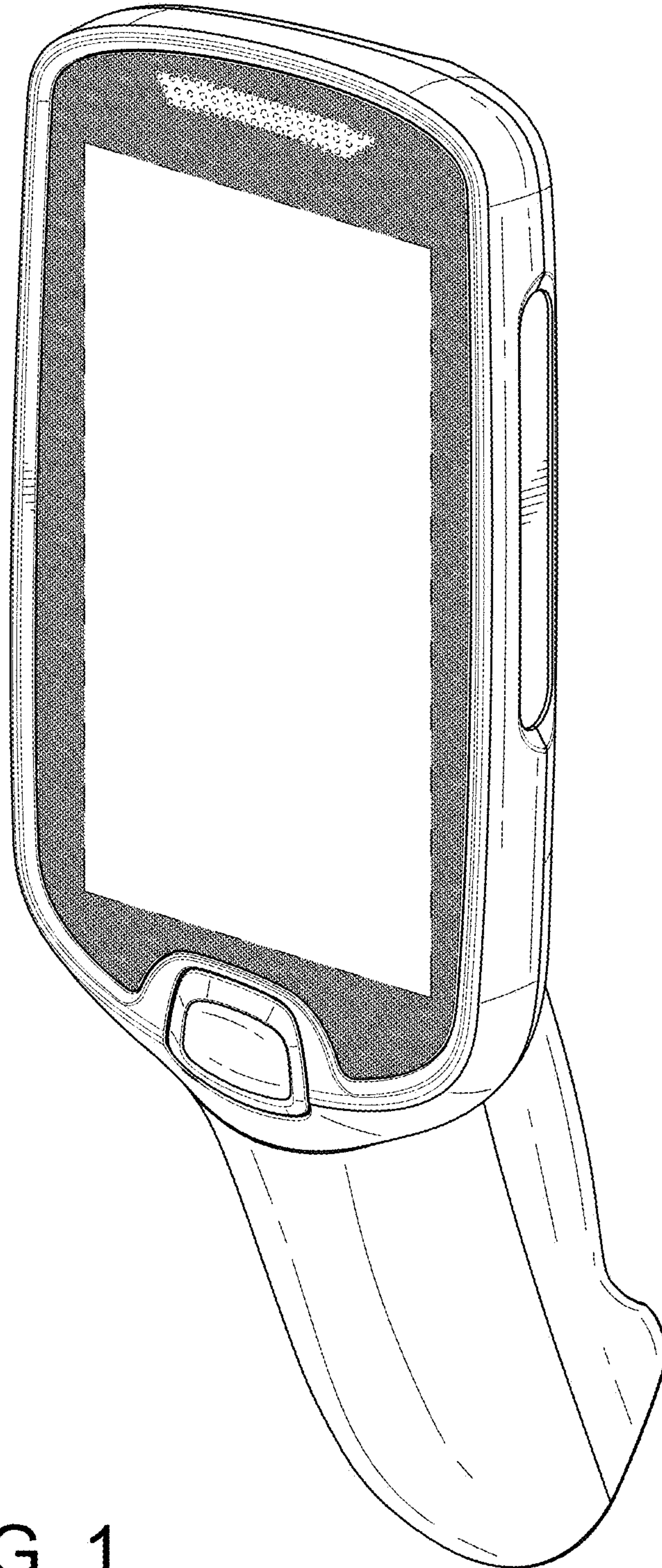


FIG. 1

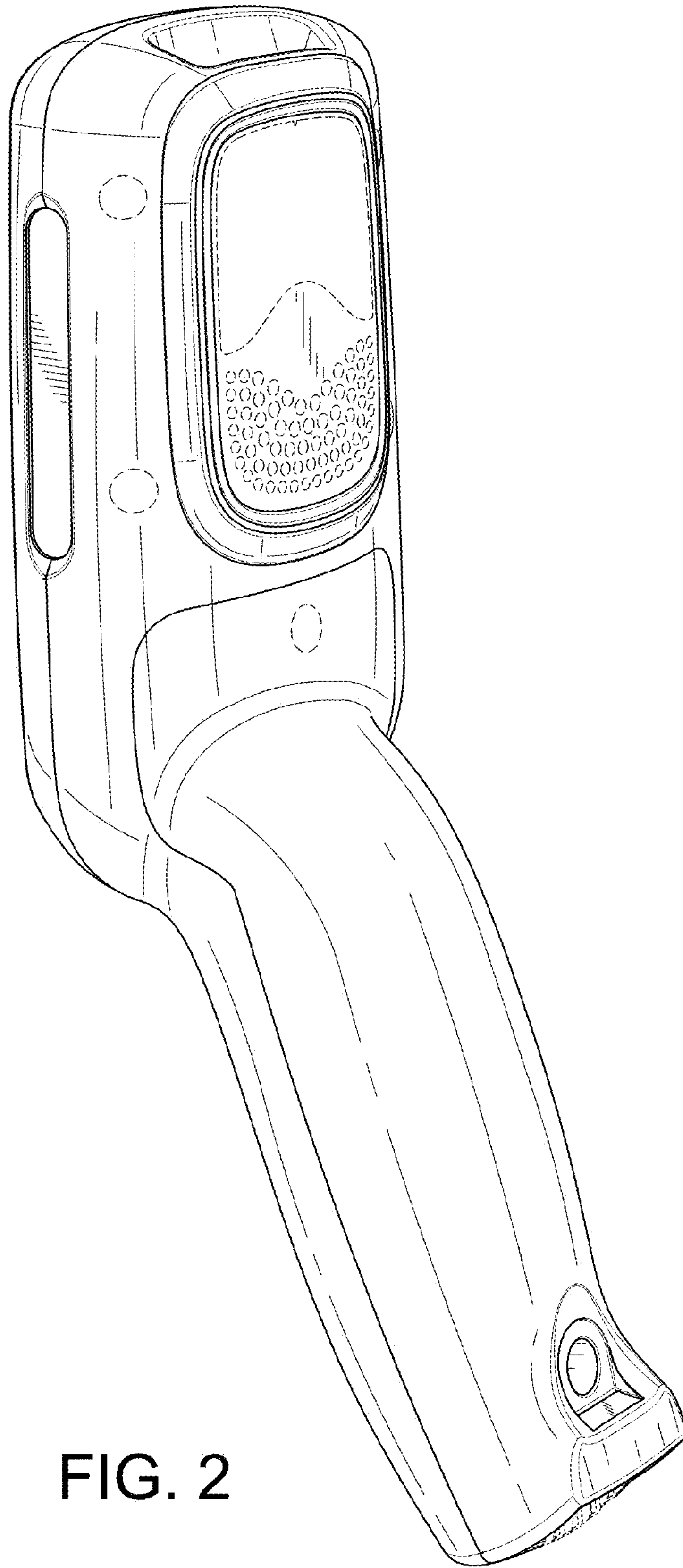


FIG. 2

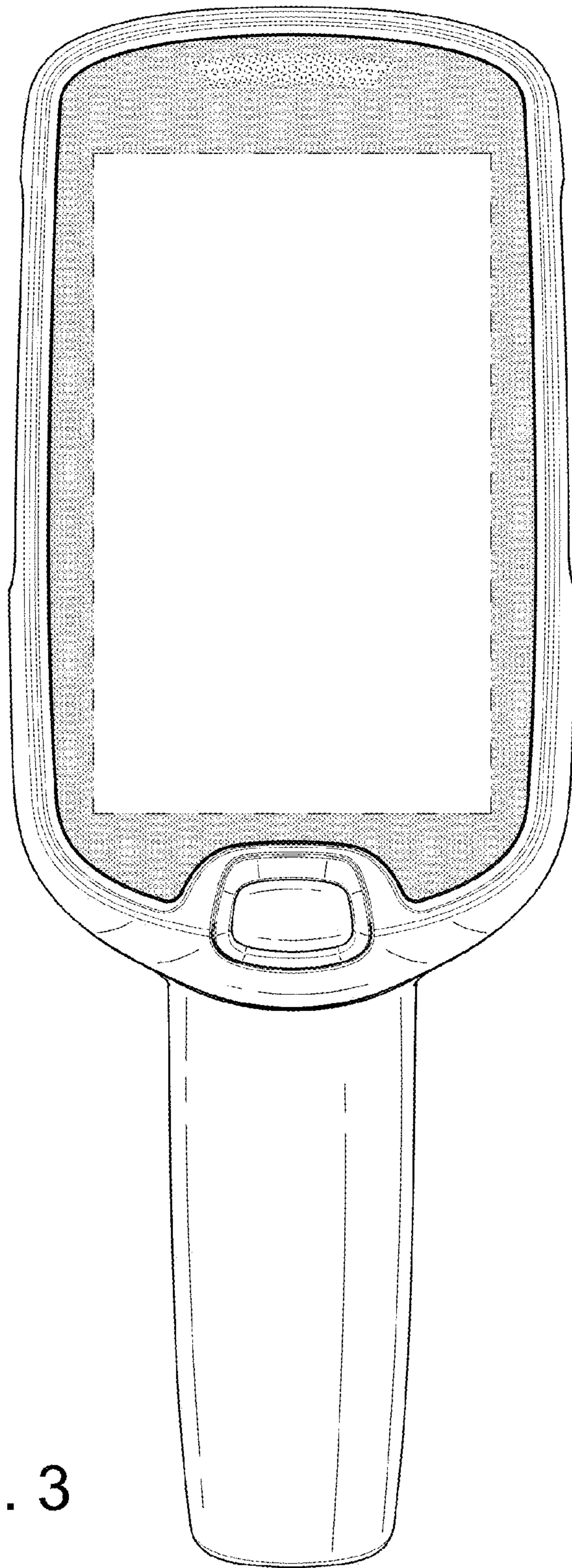


FIG. 3

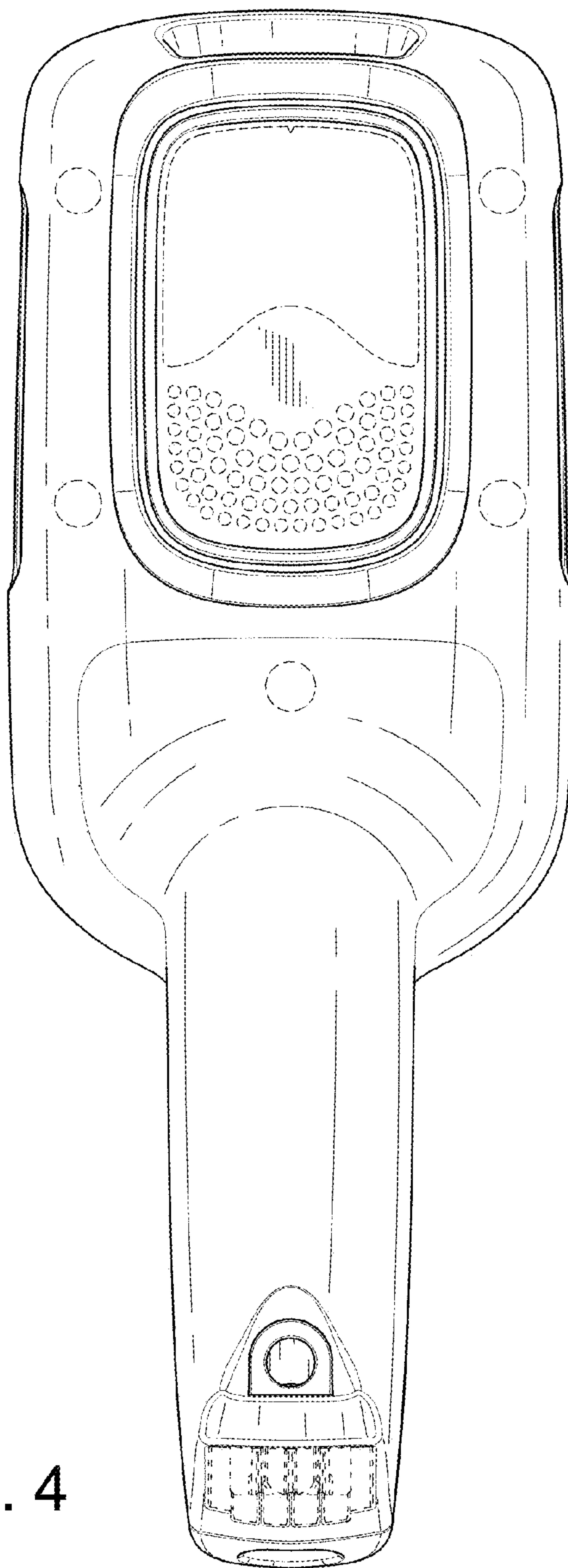


FIG. 4

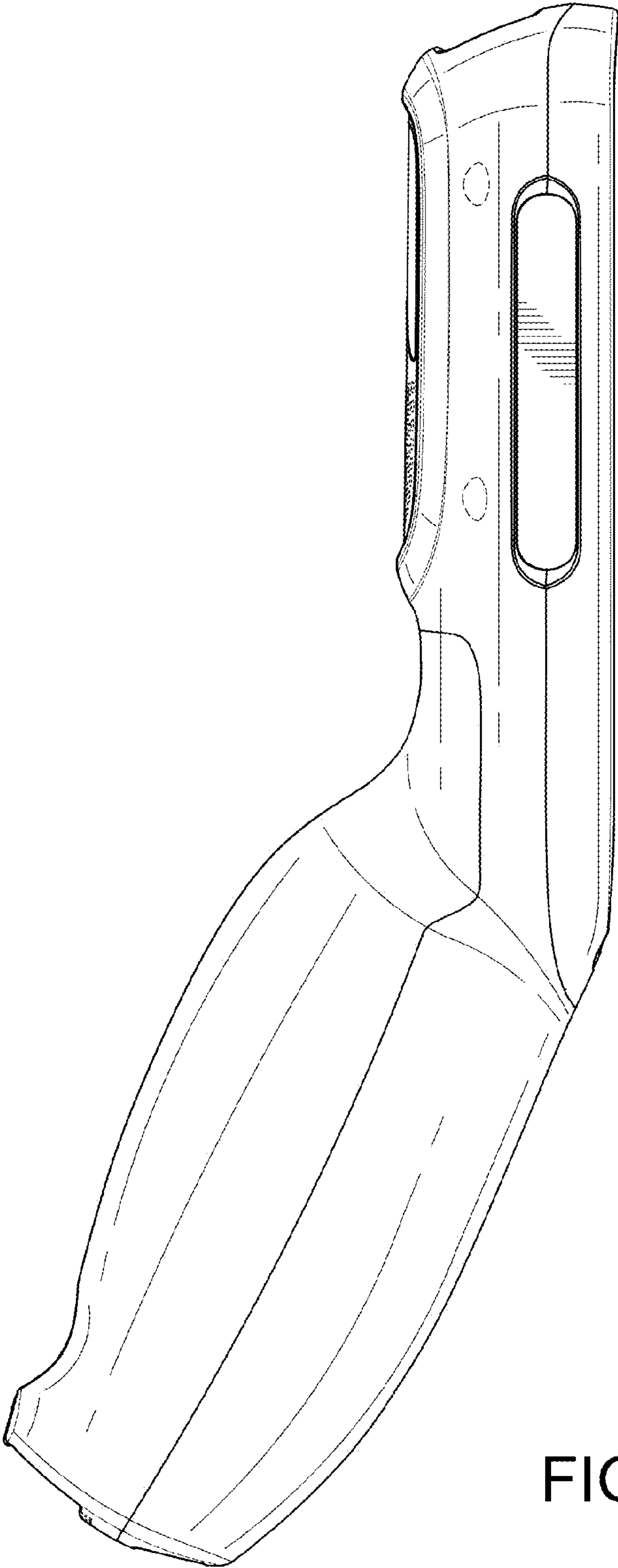


FIG. 5

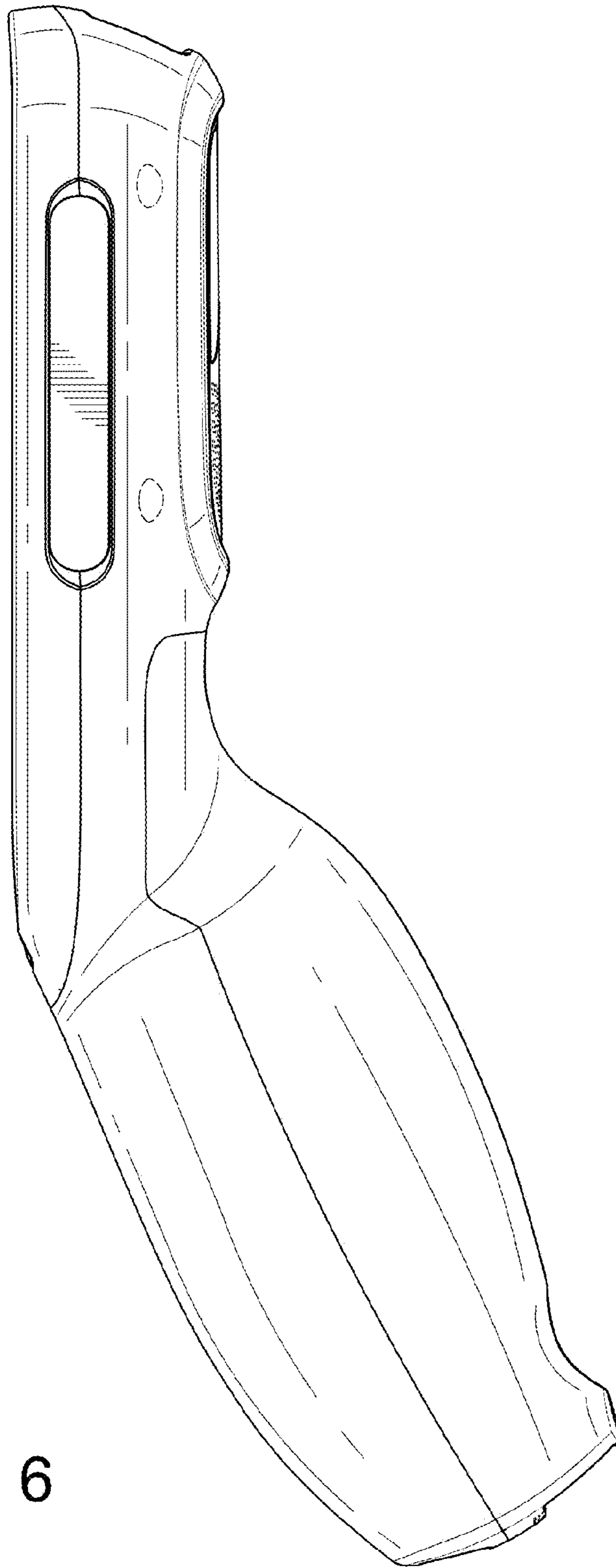


FIG. 6

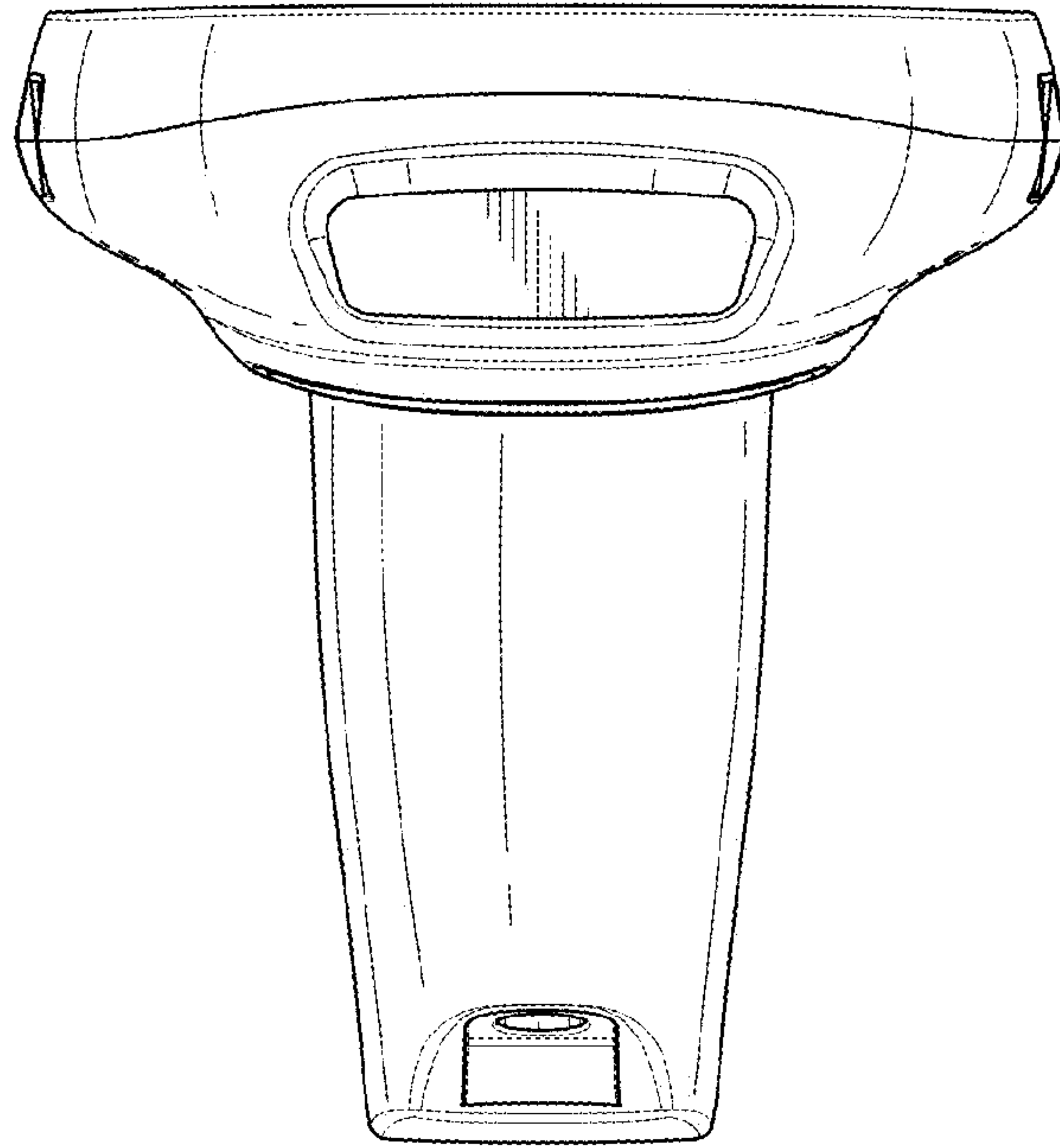


FIG. 7

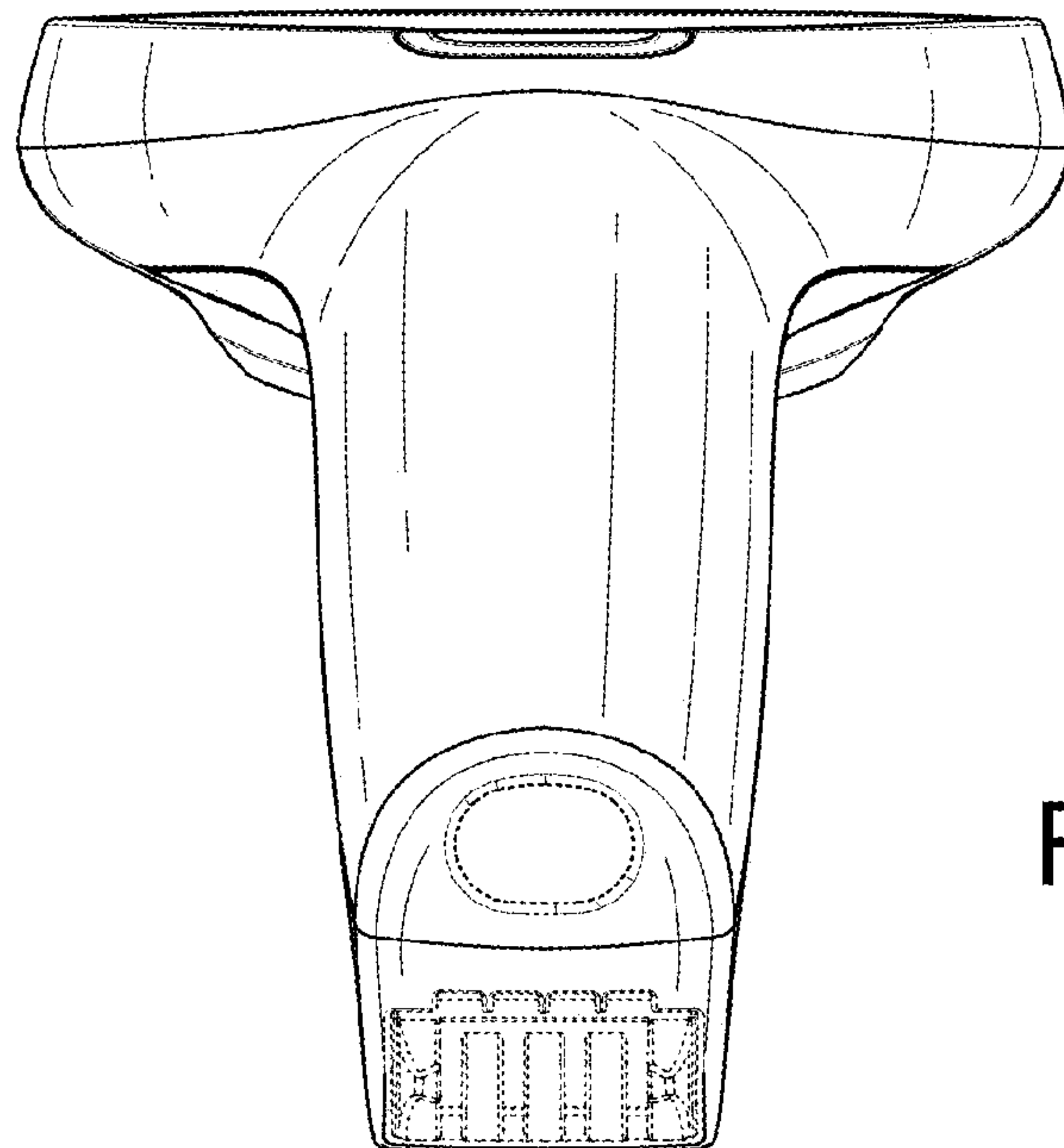


FIG. 8