



US00D729239S

(12) **United States Design Patent**  
**Fukuoka et al.**

(10) **Patent No.:** **US D729,239 S**  
(45) **Date of Patent:** **\*\* May 12, 2015**

(54) **HARD DISK DRIVE**

D601,583 S \* 10/2009 Andre et al. .... D14/496  
D621,397 S \* 8/2010 Andre et al. .... D14/314  
D686,201 S \* 7/2013 Lee ..... D14/314

(71) Applicant: **Kabushiki Kaisha Toshiba**, Minato-ku,  
Tokyo (JP)

**FOREIGN PATENT DOCUMENTS**

(72) Inventors: **Yasushi Fukuoka**, Tokyo (JP); **Erina Ikeda**, Tokyo (JP)

CN 300798127 7/2008  
CN 300841289 10/2008  
CN 301522456 4/2011  
CN 301693802 10/2011  
JP 1395517 8/2010  
JP 1455728 11/2012  
KR 30-0547144 12/2009  
KR 30-0618789 10/2011

(73) Assignee: **Kabushiki Kaisha Toshiba**, Tokyo (JP)

(\*\*) Term: **14 Years**

(21) Appl. No.: **29/458,432**

**OTHER PUBLICATIONS**

(22) Filed: **Jun. 19, 2013**

Buffalo Catalog, "8.8 mm, Mini Station HD-PUSU3;" Jan. 24, 2013  
(obtained by the applicant).

(30) **Foreign Application Priority Data**

Feb. 26, 2013 (JP) ..... 2013-003962

\* cited by examiner

(51) **LOC (10) Cl.** ..... **14-02**

*Primary Examiner* — Freda S Nunn

(52) **U.S. Cl.**  
USPC ..... **D14/348**

(74) *Attorney, Agent, or Firm* — Banner & Witcoff, Ltd.

(58) **Field of Classification Search**  
CPC ..... G11B 33/124  
USPC ..... 263/300, 308, 314, 348-358, 365, 368;  
D13/162, 184, 199; 312/223.1-223.3,  
312/351.11; 360/99.01-99.12;  
369/34.01-36.01; 361/679.6,  
361/679.31-679.33, 679.38

(57) **CLAIM**

The ornamental design for a hard disk drive, as shown and described.

See application file for complete search history.

**DESCRIPTION**

FIG. 1 is a front perspective view of a hard disk drive showing our new design,  
FIG. 2 is a rear perspective view thereof,  
FIG. 3 is a front elevational view thereof,  
FIG. 4 is a rear elevational view thereof,  
FIG. 5 is a left side elevational view thereof,  
FIG. 6 is a right side elevational view thereof,  
FIG. 7 is a top plan view thereof; and,  
FIG. 8 is a bottom plan view thereof.

(56) **References Cited**

**U.S. PATENT DOCUMENTS**

D491,940 S \* 6/2004 Narita ..... D14/368  
6,891,721 B2 \* 5/2005 Huang ..... 361/679.33  
D530,323 S \* 10/2006 Hsu ..... D14/348  
D596,626 S \* 7/2009 Andre et al. .... D14/240

**1 Claim, 6 Drawing Sheets**

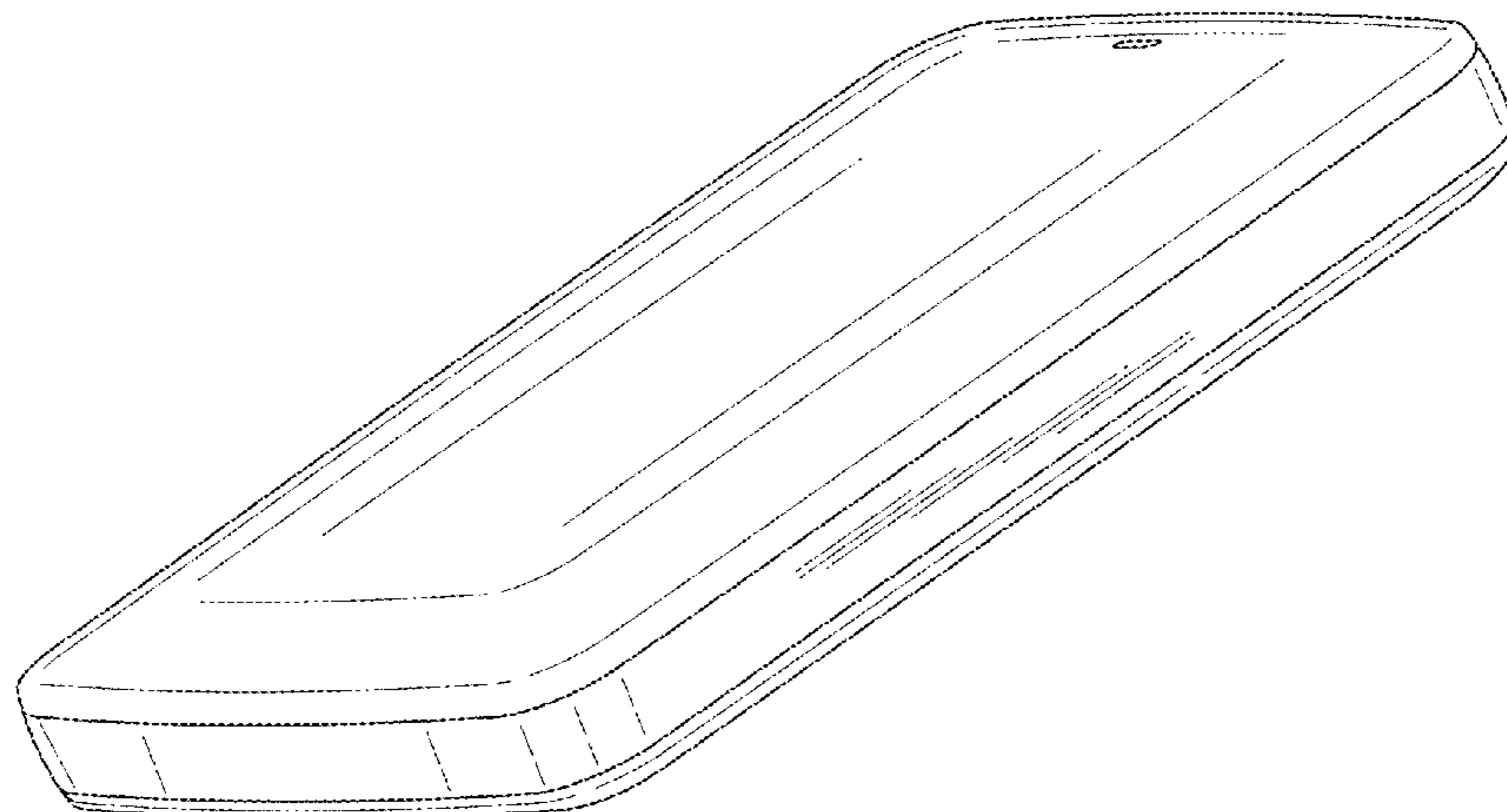


Fig. 1

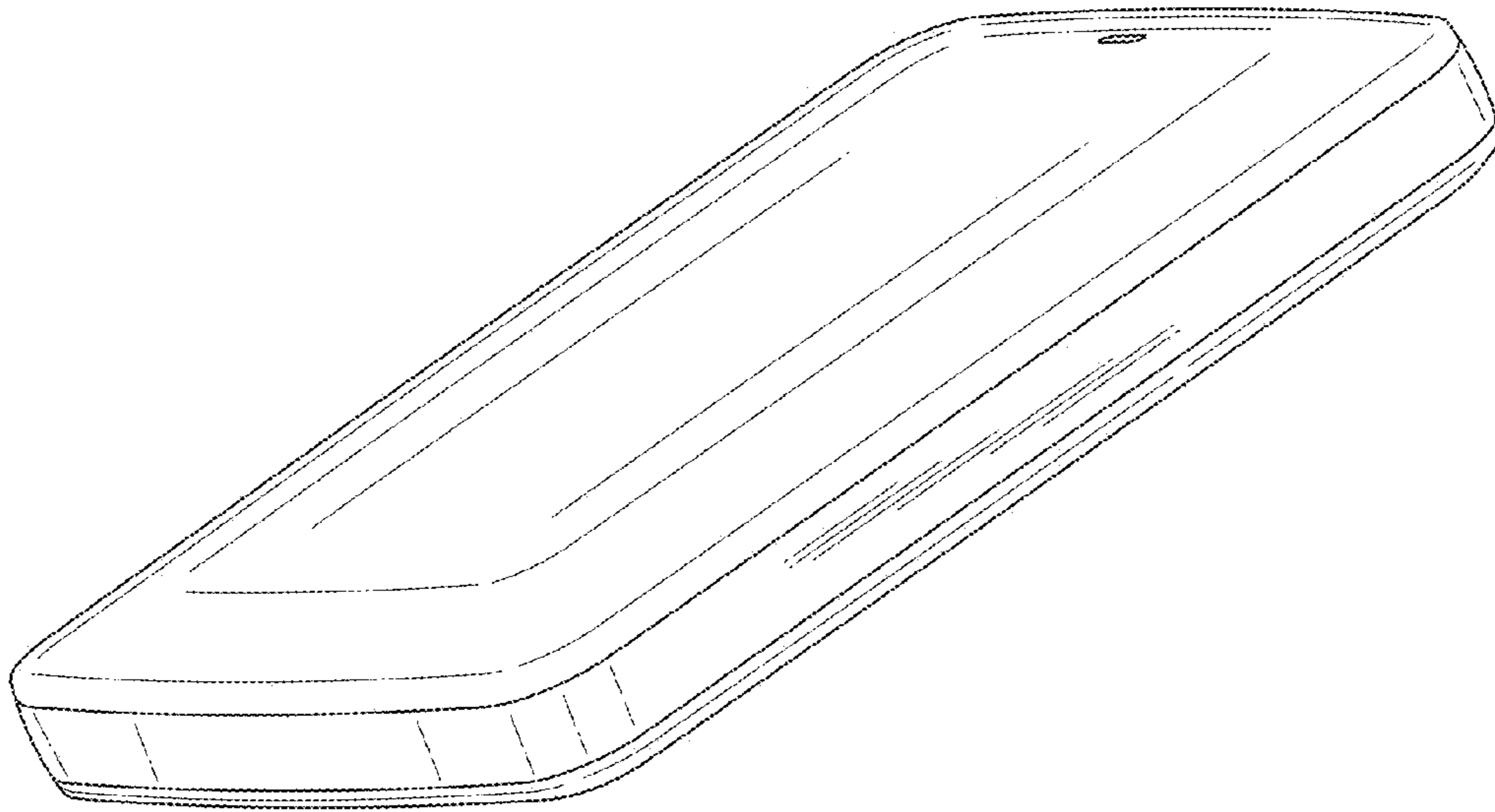


Fig. 2

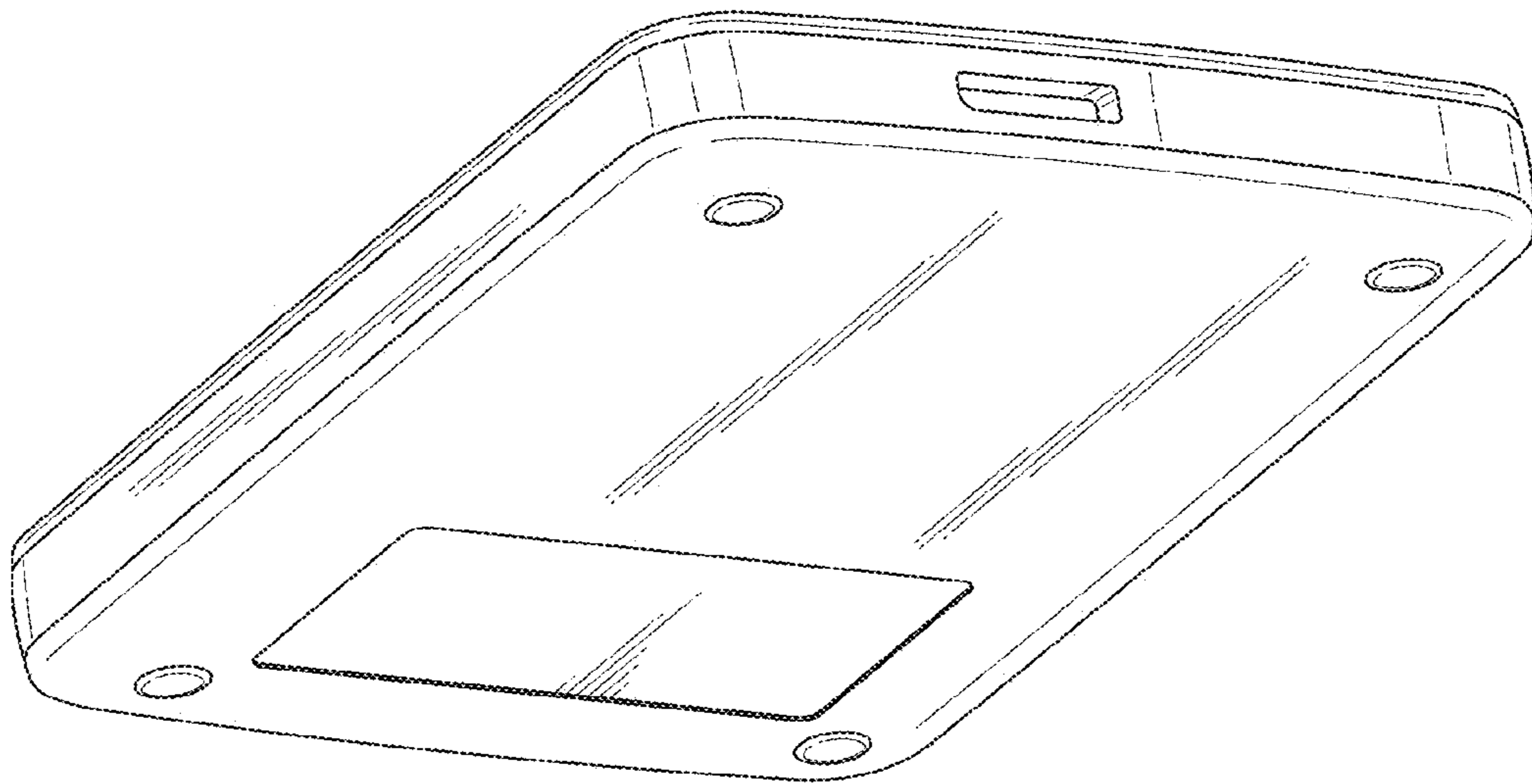


Fig. 3

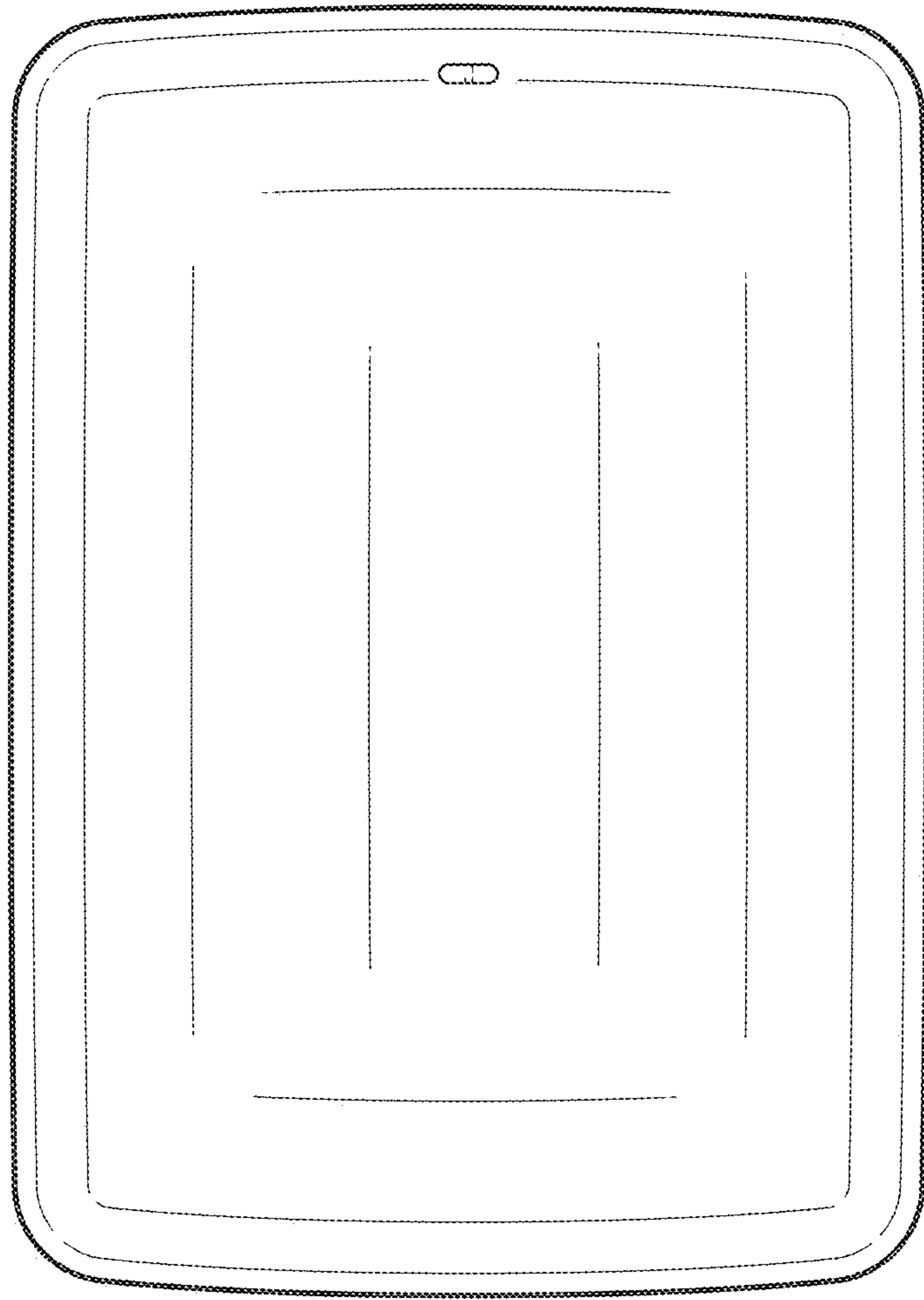


Fig. 4

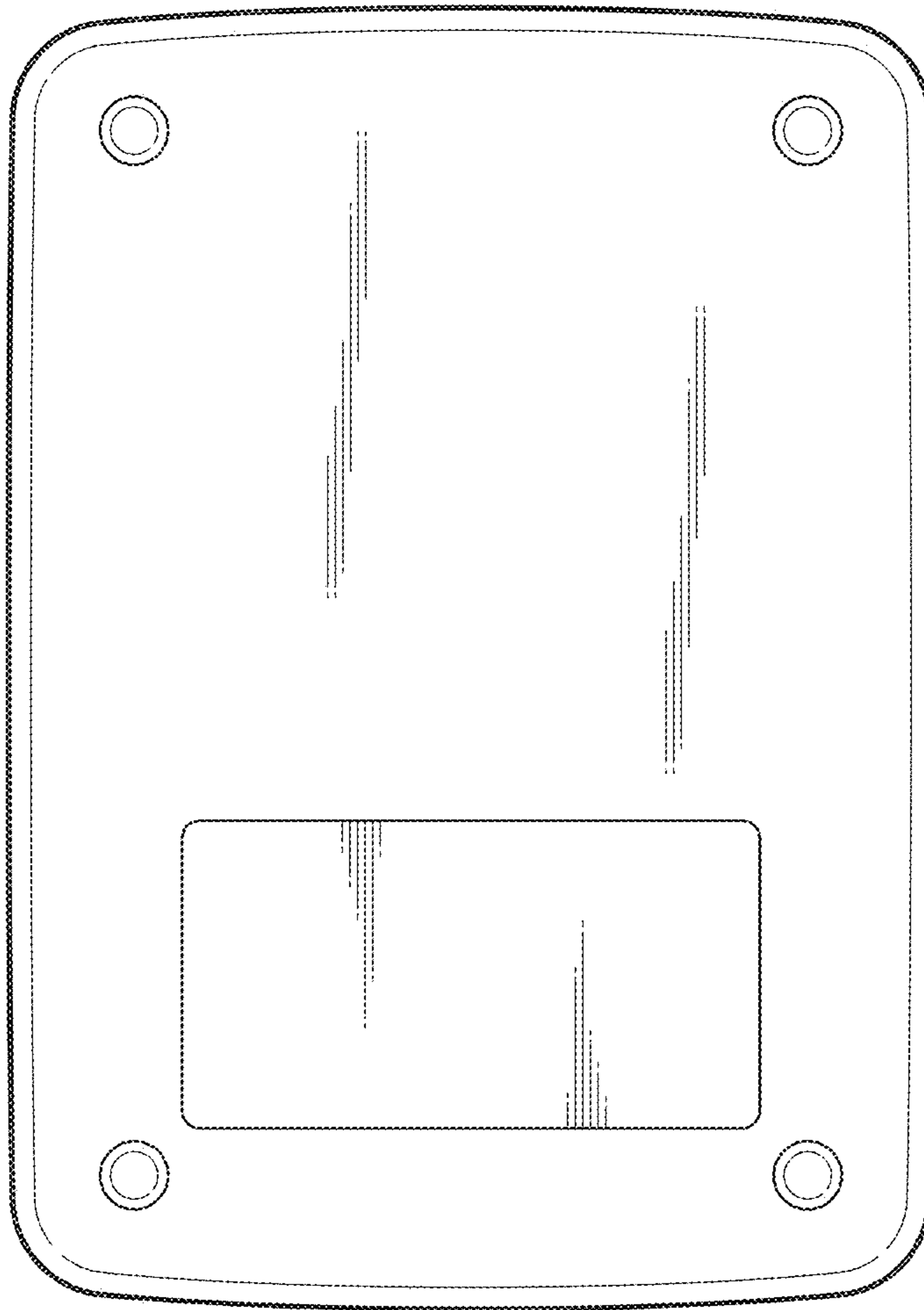


Fig. 5

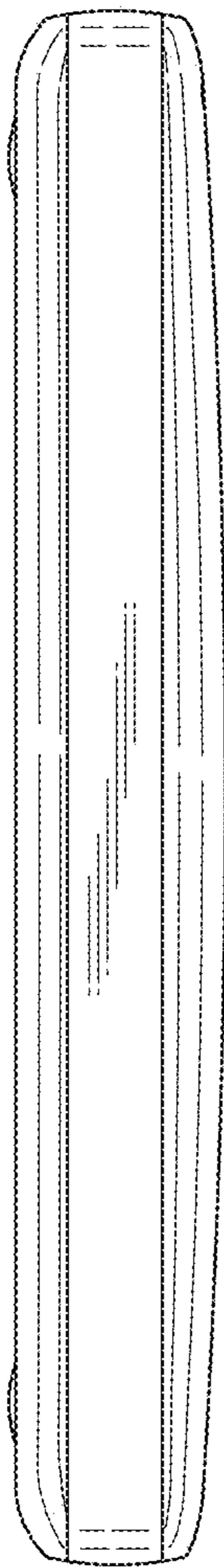


Fig. 6

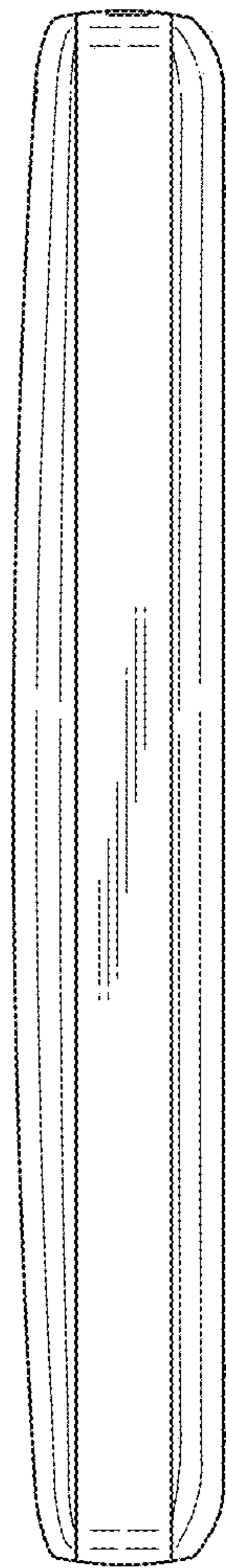


Fig. 7

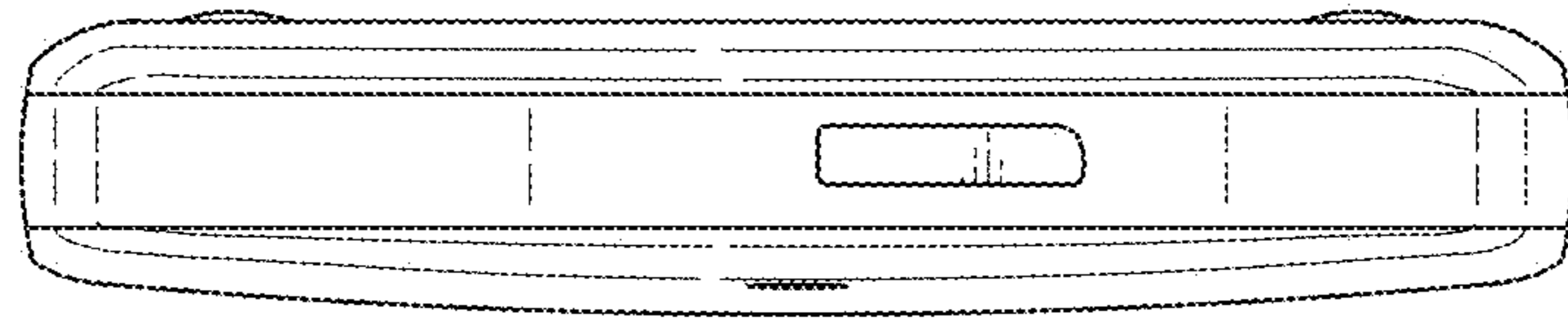


Fig. 8

