



US00D729237S

(12) **United States Design Patent**
Fagnot

(10) **Patent No.:** **US D729,237 S**

(45) **Date of Patent:** **** May 12, 2015**

- (54) **MOBILE WEARABLE DEVICE**
- (71) Applicant: **Sony Mobile Communications AB,**
Lund (SE)
- (72) Inventor: **Benjamin Fagnot,** Lund (SE)
- (73) Assignee: **Sony Mobile Communications AB,**
Lund (SE)

D375,053	S	*	10/1996	Voegeli	D10/30
6,882,597	B2	*	4/2005	Kent	368/239
D528,439	S	*	9/2006	Burton	D10/32
D589,375	S	*	3/2009	Tang	D10/32
D596,610	S	*	7/2009	Hou	D14/144
D600,138	S	*	9/2009	Tang	D10/30
D622,166	S	*	8/2010	Monachon	D10/39
D652,327	S	*	1/2012	Bodino et al.	D10/38
D672,255	S	*	12/2012	Zanella et al.	D10/32
D681,483	S	*	5/2013	Biegert et al.	D10/39

- (**) Term: **14 Years**
- (21) Appl. No.: **29/460,881**
- (22) Filed: **Jul. 16, 2013**

- (30) **Foreign Application Priority Data**
Apr. 19, 2013 (EM) 001368401-0001
- (51) **LOC (10) Cl.** **14-02**
- (52) **U.S. Cl.**
USPC **D14/344**
- (58) **Field of Classification Search**
USPC D14/341, 342, 343, 344, 345, 346, 347,
D14/420, 426, 427; D10/30, 31, 32, 37, 38,
D10/39, 65; 368/281, 282, 294, 295, 296;
455/100; 361/679.03; 379/433.1;
D11/3
See application file for complete search history.

- (56) **References Cited**
U.S. PATENT DOCUMENTS
D80,307 S * 1/1930 Conant D10/38
D297,416 S * 8/1988 Saito D10/32
D303,635 S * 9/1989 Kurzina D10/32
D351,799 S * 10/1994 Bulgari D10/39
D366,036 S * 1/1996 Houlihan D14/344

FOREIGN PATENT DOCUMENTS

JP 1466919 4/2013

* cited by examiner

Primary Examiner — Barbara Fox

Assistant Examiner — Chelsea Sealey

(74) *Attorney, Agent, or Firm* — Renner, Otto, Boisselle & Sklar, LLP

(57) **CLAIM**

The ornamental design for a mobile wearable device, as shown and described.

DESCRIPTION

FIG. 1 is a perspective view of a mobile wearable device showing my new design.

FIG. 2 is a front view thereof.

FIG. 3 is a rear view thereof.

FIG. 4 is an enlarged right side view thereof, shown separately from the strap for ease of illustration.

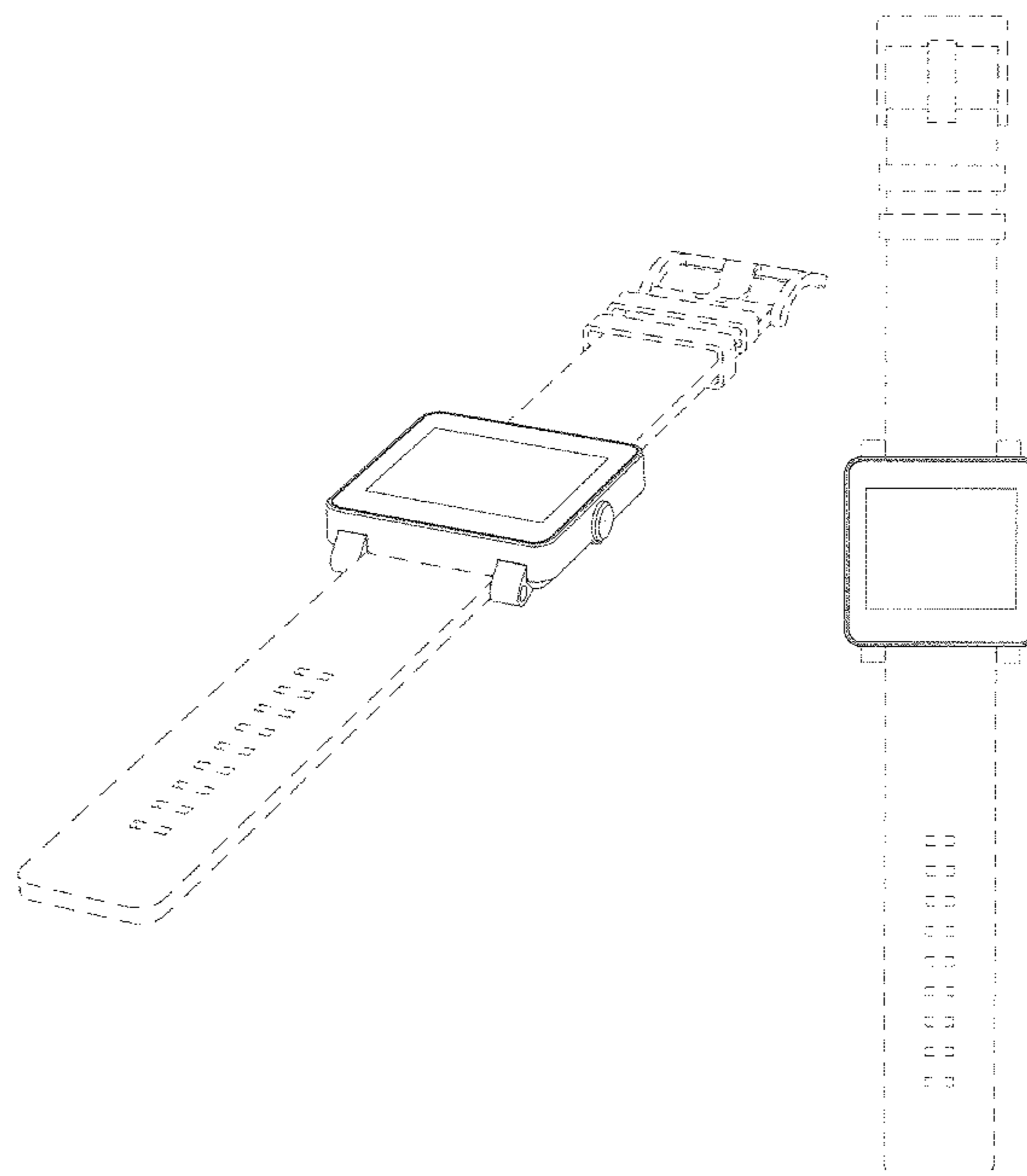
FIG. 5 is a left side view thereof.

FIG. 6 is a top view thereof; and,

FIG. 7 is a bottom view thereof.

The broken lines indicate portions of the mobile wearable device that form no part of the claimed design.

1 Claim, 7 Drawing Sheets



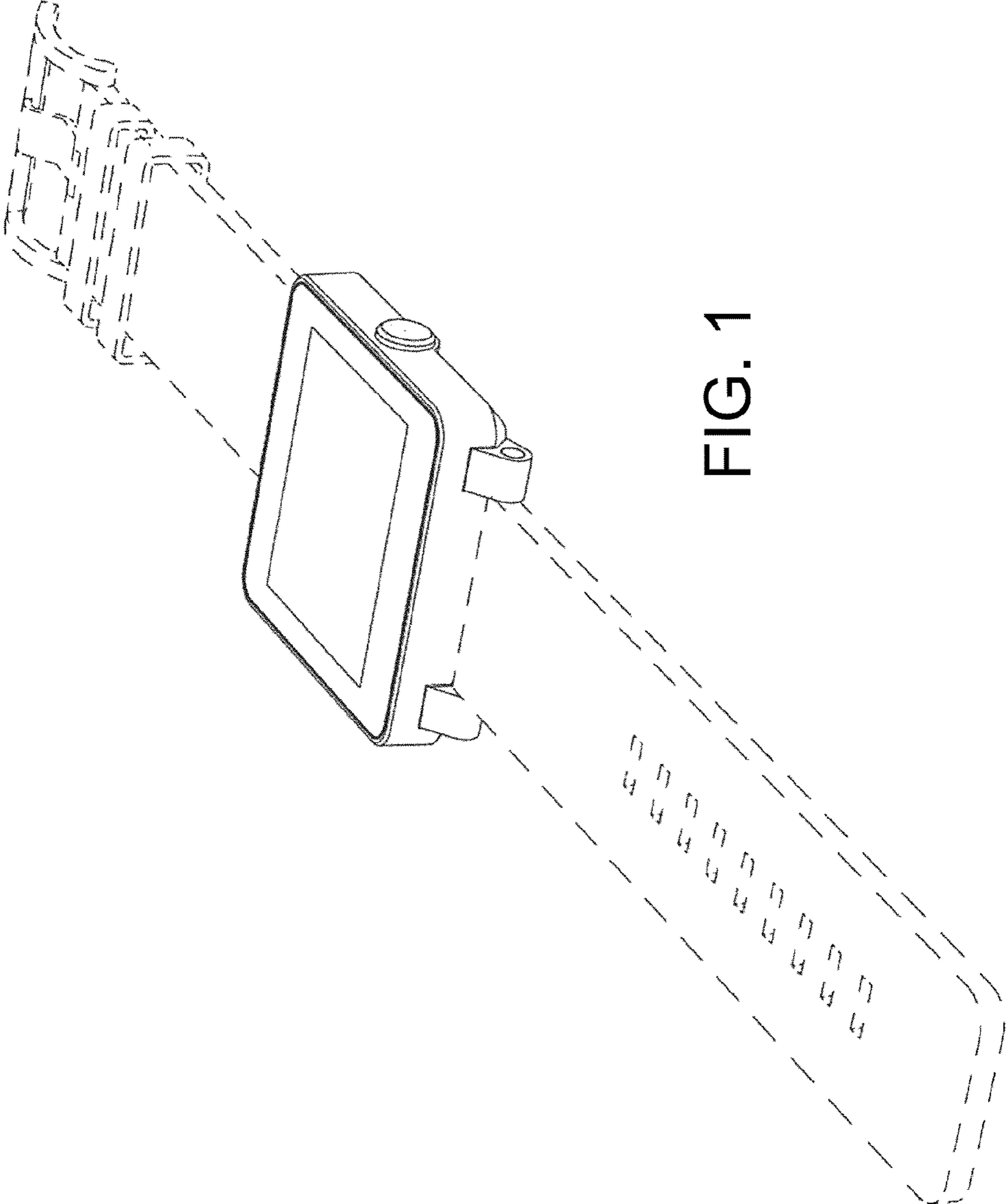


FIG. 1

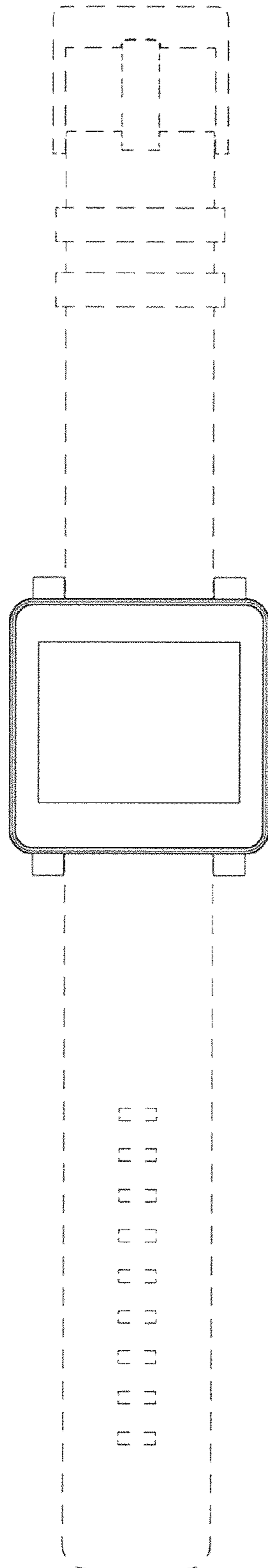


FIG. 2

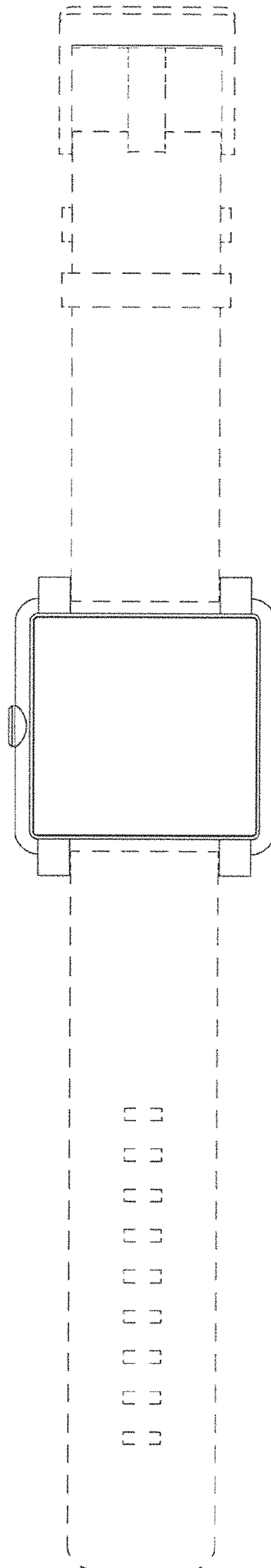


FIG. 3

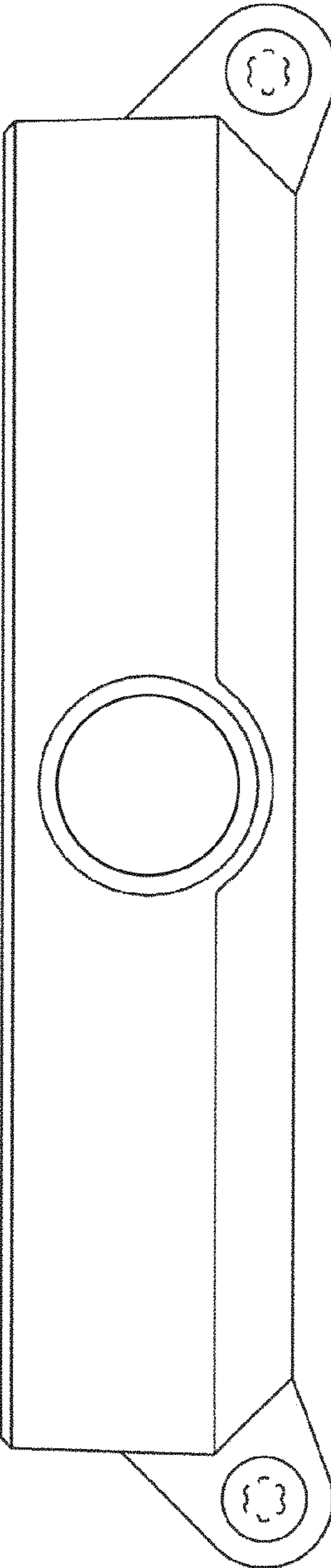


FIG. 4

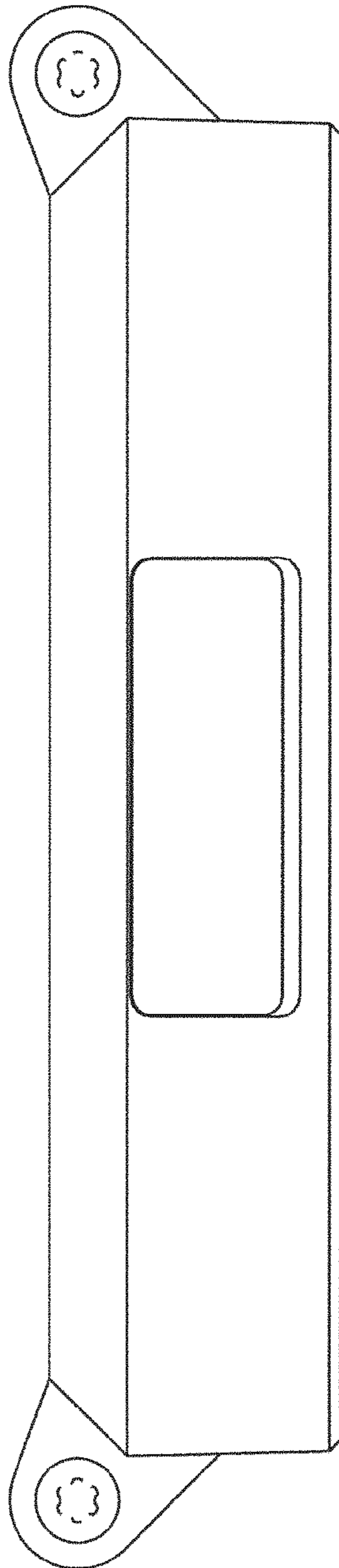


FIG. 5

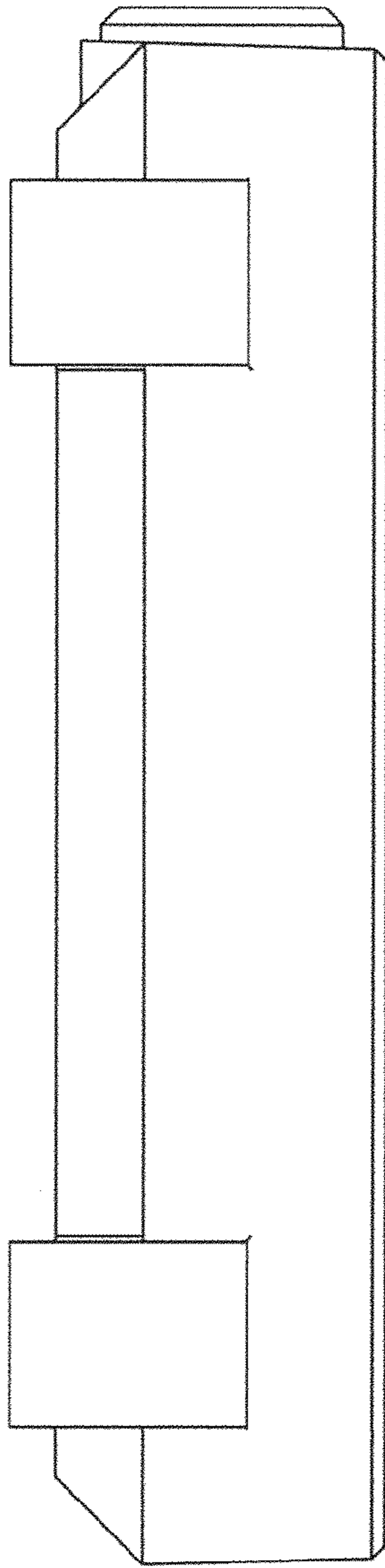


FIG. 6

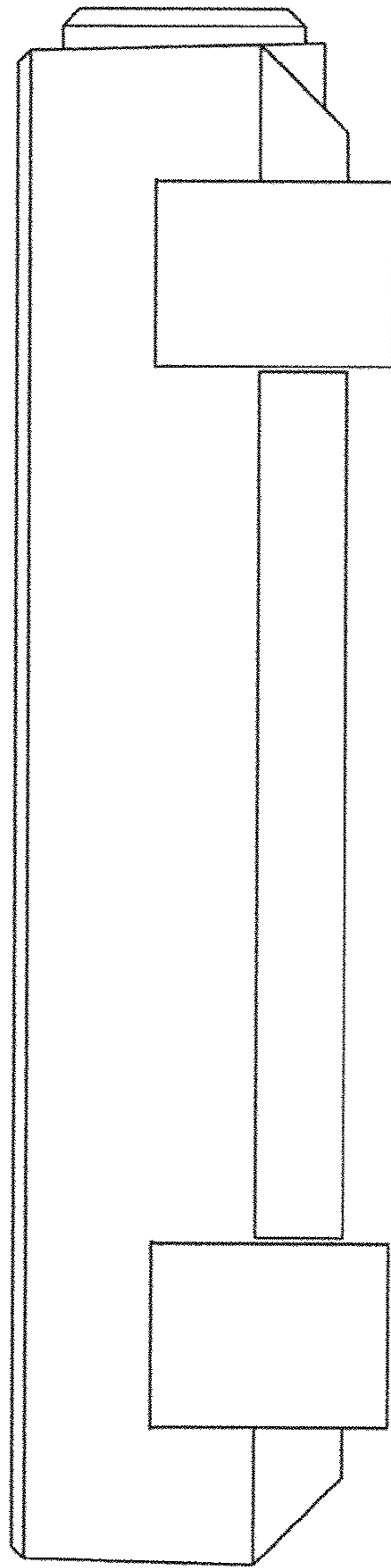


FIG. 7