



US00D729235S

(12) **United States Design Patent**
Nagao et al.

(10) **Patent No.:** **US D729,235 S**
(45) **Date of Patent:** **** May 12, 2015**

(54) **PERSONAL COMPUTER**

(71) Applicant: **Fujitsu Limited**, Kawasaki-shi,
Kanagawa (JP)
(72) Inventors: **Eiji Nagao**, Ichikawa (JP); **Hiroyuki Fujita**, Tokyo (JP); **Mark Friesen**, Tokyo (JP); **Nobuharu Tsusaka**, Kawasaki (JP); **Hisao Morooka**, Kawasaki (JP); **Toni Koberling**, München (DE)
(73) Assignee: **Fujitsu Limited**, Kawasaki (JP)

(**) Term: **14 Years**
(21) Appl. No.: **29/453,891**
(22) Filed: **May 3, 2013**

(30) **Foreign Application Priority Data**

Nov. 6, 2012 (JP) 2012-026981
(51) **LOC (10) Cl.** **14-02**
(52) **U.S. Cl.**
USPC **D14/341**
(58) **Field of Classification Search**
CPC A63H 33/3016; G06F 1/1613; H04M 1/0202; H04M 1/0279; H04M 1/0281; H04M 1/0283
USPC D14/341-347, 137, 138 R, 138 AA, D14/138 C, 138 G, 496, 203.1, 203.3, 203.4, D14/203.7, 129, 130, 147, 218, 247, 248, D14/250, 374, 385, 388, 389, 315-318, 420, D14/426, 439; D10/65, 104.1; D21/324, D21/329, 330, 332; 455/556.1, 556.2, 566, 455/575.1, 90.3; 379/433.04, 433.01, 379/433.06, 916; 345/173, 901, 905; 361/679.26, 679.27, 679.3, 679.55, 361/679.56; D6/308, 310; 463/37; 248/917-924; 348/376; D19/26, 59-60

See application file for complete search history.

(56) **References Cited**

U.S. PATENT DOCUMENTS

D541,272 S * 4/2007 Wang D14/356
D608,778 S * 1/2010 Lee et al. D14/336
D627,779 S * 11/2010 Liao D14/341
D659,560 S * 5/2012 Rhodes D10/50
D665,809 S * 8/2012 Wang et al. D14/439
D670,288 S * 11/2012 Chen D14/341
D675,587 S * 2/2013 Russo D14/138 G
D687,820 S * 8/2013 Kim D14/341
D696,250 S * 12/2013 Wang et al. D14/341

(Continued)

OTHER PUBLICATIONS

Introducing Galaxy Note Edge, announced Mar. 15, 2013 [online], [site visited Oct. 16, 2014]. Available from Internet, URL: <<http://webcache.googleusercontent.com/search?q=cache:dOnJEBzCK7QJ:www.samsung>>.*

Primary Examiner — Barbara Fox
Assistant Examiner — Dana K Weiland
(74) *Attorney, Agent, or Firm* — Staas & Halsey LLP

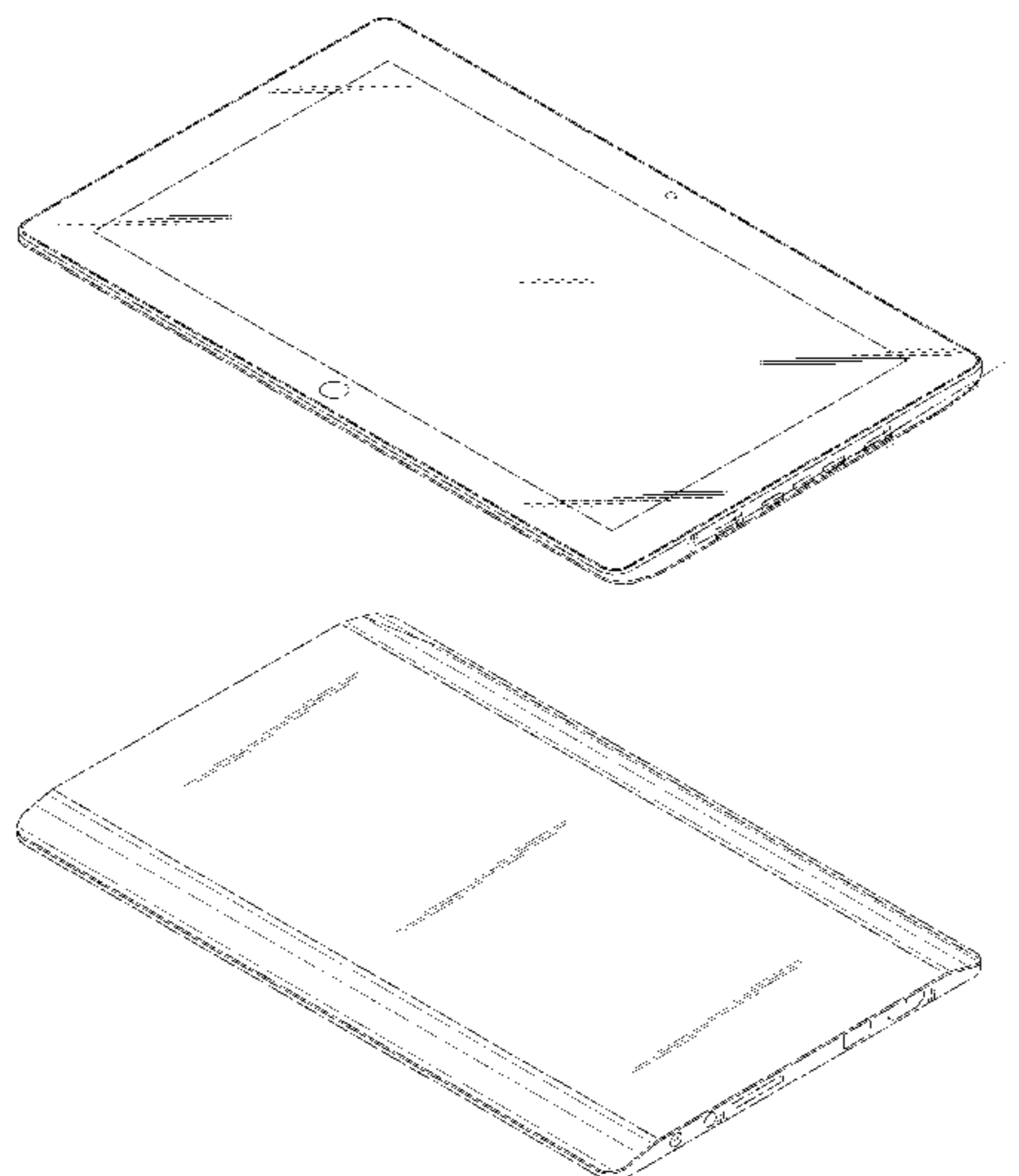
(57) **CLAIM**

The ornamental design for a personal computer, as shown and described.

DESCRIPTION

FIG. 1 is a perspective view of front, bottom and right side of a personal computer showing our new design;
FIG. 2 is a perspective view of rear, bottom and left side thereof;
FIG. 3 is a front view thereof;
FIG. 4 is a rear view thereof;
FIG. 5 is a left side view thereof;
FIG. 6 is a right side view thereof;
FIG. 7 is a top view thereof;
FIG. 8 is a bottom view thereof;
FIG. 9 is a cross-sectional view taken along line 9-9' in FIG. 3 thereof, omitting the interior mechanism; and,
FIG. 10 is a partial enlarged view of FIG. 9.

1 Claim, 8 Drawing Sheets



(56)

References Cited

U.S. PATENT DOCUMENTS

D700,179 S * 2/2014 Hong D14/341
D701,202 S * 3/2014 Choi D14/341
D704,703 S * 5/2014 Liu et al. D14/341

D706,774 S * 6/2014 Park et al. D14/341
D712,400 S * 9/2014 Kim et al. D14/341
D713,403 S * 9/2014 Groene et al. D14/341
D719,158 S * 12/2014 Akana et al. D14/374

* cited by examiner

Fig. 1

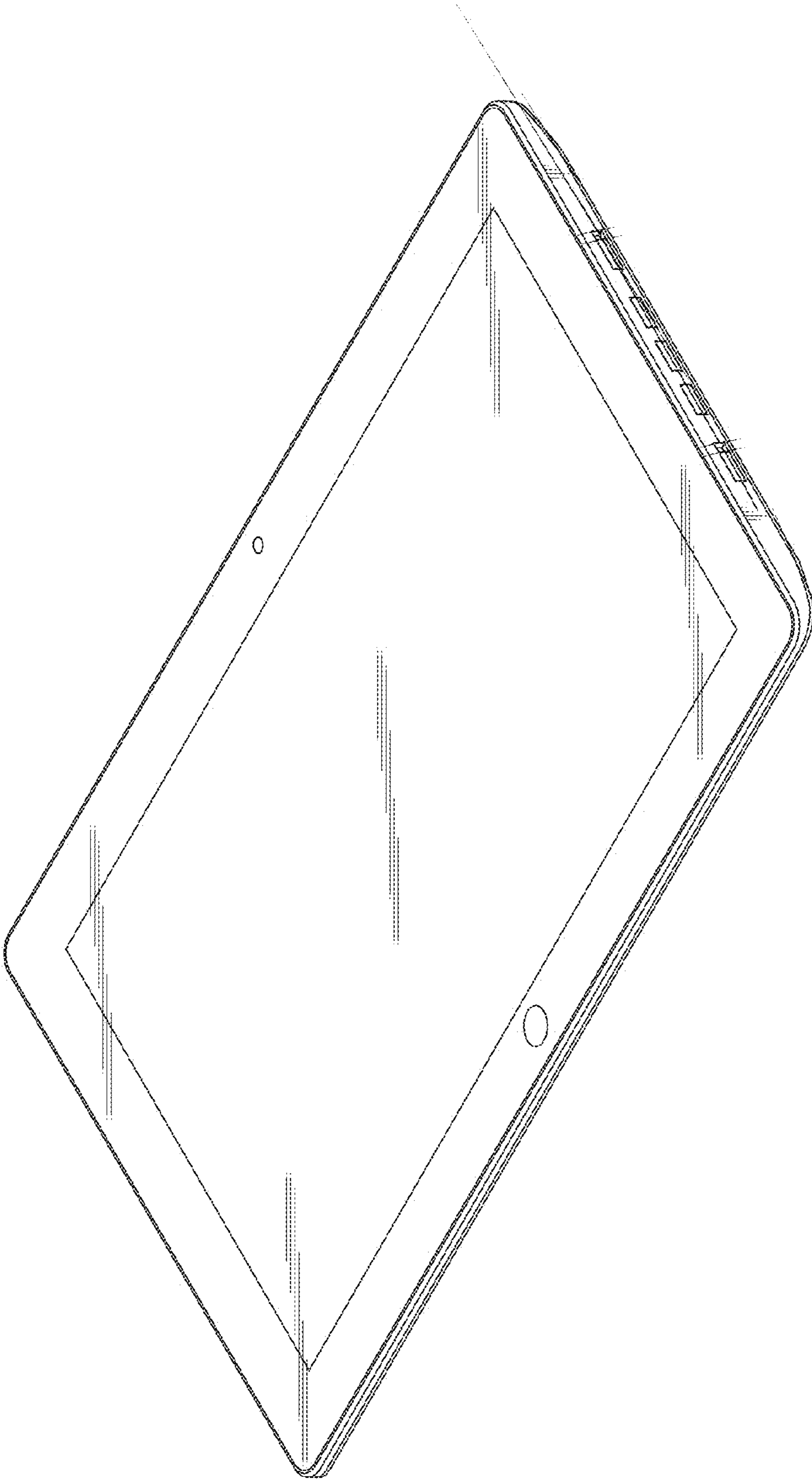


Fig. 2

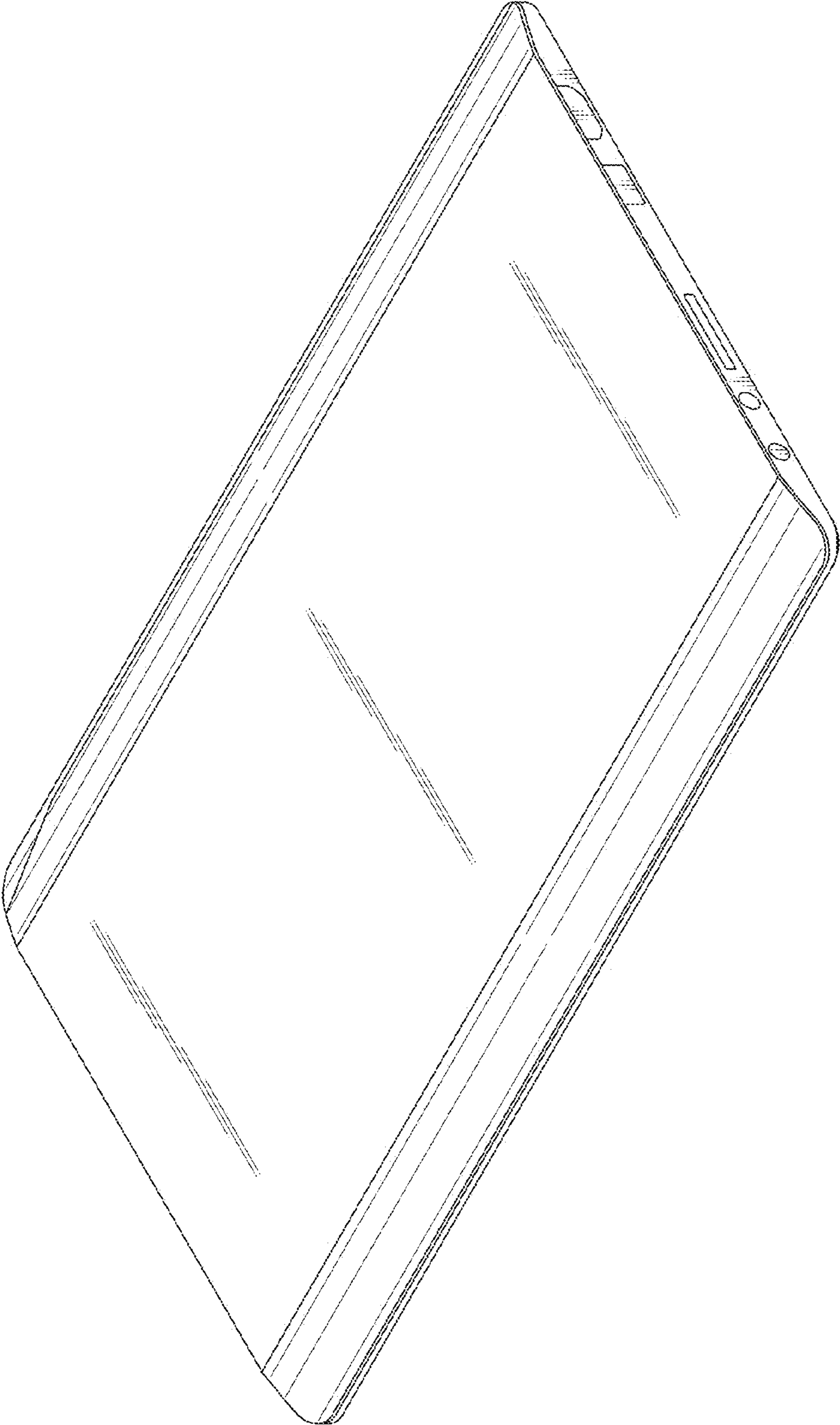


Fig. 3

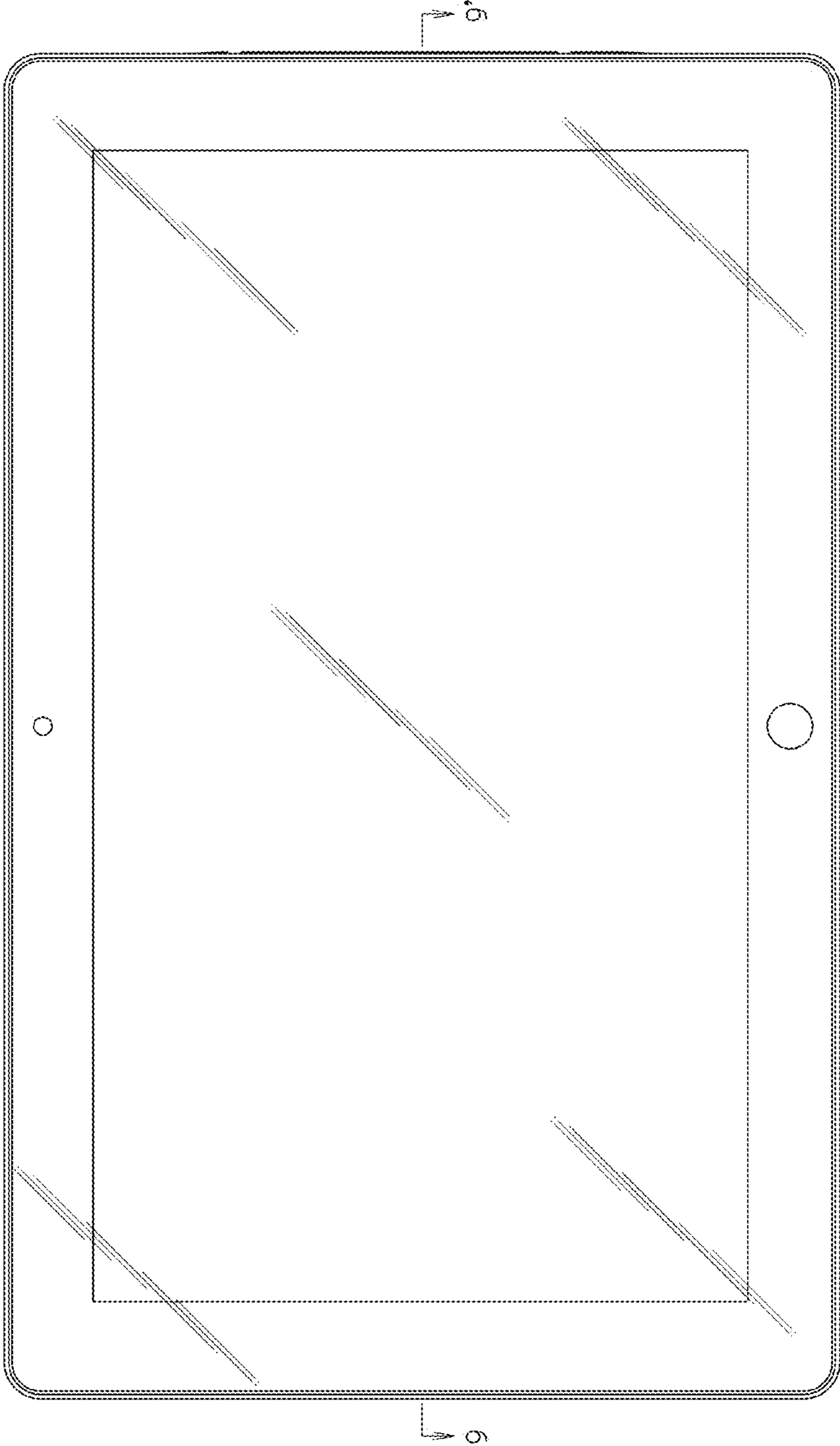


Fig. 4

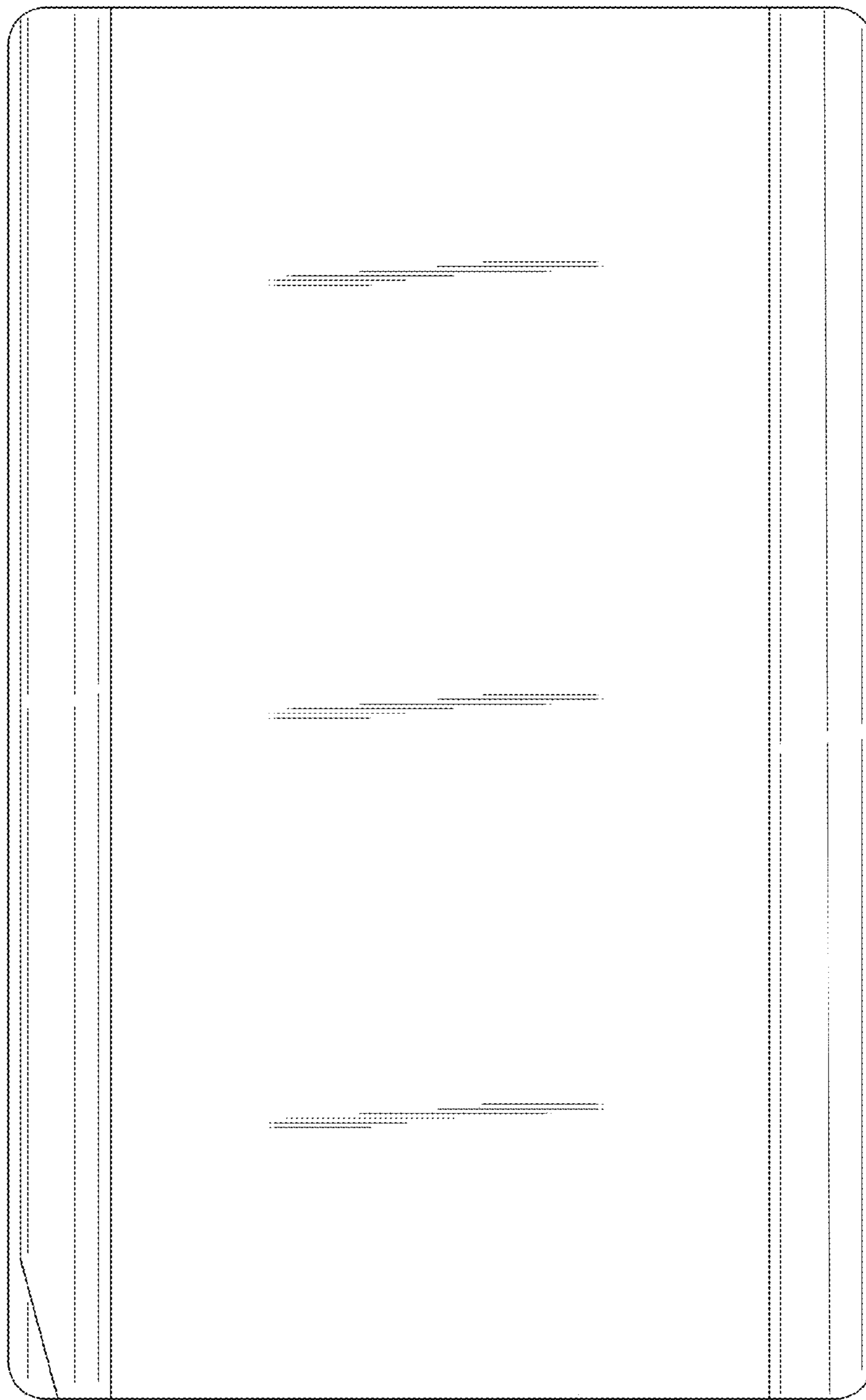


Fig. 6

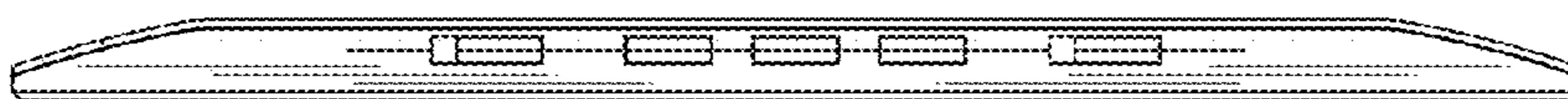


Fig. 5

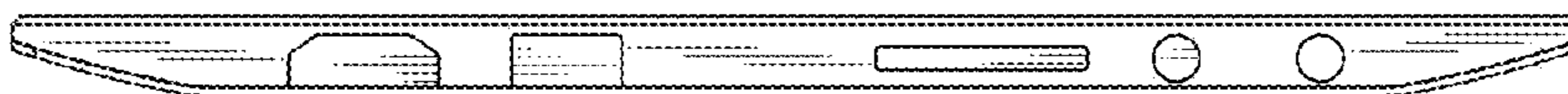
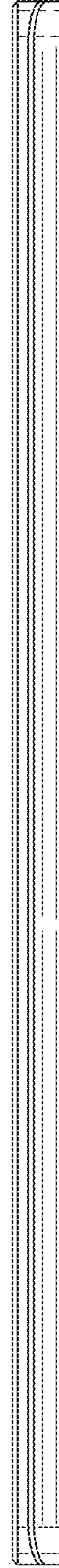


Fig. 7



Fig. 8



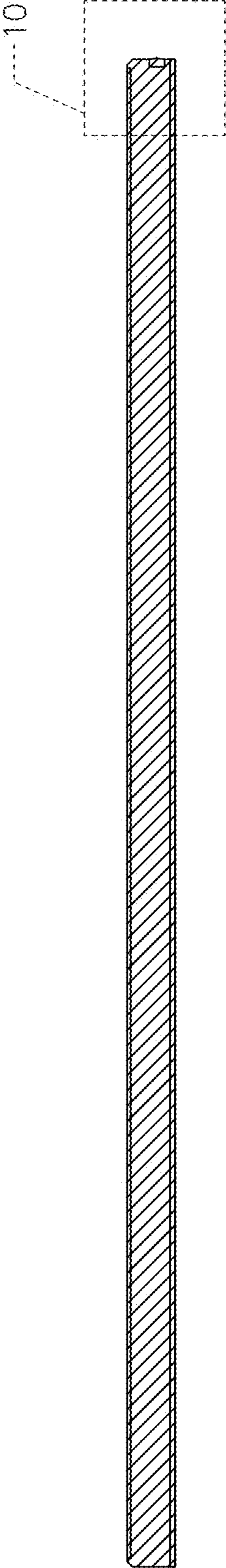


Fig. 9

Fig. 10

