

US00D729233S

(12) **United States Design Patent**
Lee et al.

(10) **Patent No.:** **US D729,233 S**
(45) **Date of Patent:** **** May 12, 2015**

(54) **MOBILE COMMUNICATION TERMINAL**

(56) **References Cited**

(71) Applicant: **Samsung Electronics Co. Ltd.**,
Suwon-si, Gyeonggi-do (KR)

U.S. PATENT DOCUMENTS

(72) Inventors: **Chang-Ho Lee**, Seoul (KR); **Won-Suk Chung**, Seoul (KR)

D636,769	S	*	4/2011	Wood et al.	D14/341
D654,074	S	*	2/2012	Wood et al.	D14/341
D663,281	S	*	7/2012	Hwang	D14/138 G
D671,514	S	*	11/2012	Kim et al.	D14/138 G
D677,660	S	*	3/2013	Groene et al.	D14/341
D678,271	S	*	3/2013	Chiu	D14/341
D687,820	S	*	8/2013	Kim	D14/341
D687,827	S	*	8/2013	Song et al.	D14/341
D696,246	S	*	12/2013	Kim	D14/341
D696,250	S	*	12/2013	Wang et al.	D14/341
D697,065	S	*	1/2014	Kim et al.	D14/346
D702,681	S	*	4/2014	Sugiyama et al.	D14/341
D705,777	S	*	5/2014	Groene et al.	D14/341
D708,608	S	*	7/2014	Sugiyama et al.	D14/341
D712,400	S	*	9/2014	Kim et al.	D14/341
D713,403	S	*	9/2014	Groene et al.	D14/341
D715,795	S	*	10/2014	McManigal	D14/341

(73) Assignee: **Samsung Electronics Co., Ltd.**,
Suwon-si (KR)

(**) Term: **14 Years**

(21) Appl. No.: **29/452,597**

* cited by examiner

(22) Filed: **Apr. 18, 2013**

Primary Examiner — Barbara Fox

Assistant Examiner — Dana K Weiland

(30) **Foreign Application Priority Data**

(74) *Attorney, Agent, or Firm* — Jefferson IP Law, LLP

Oct. 29, 2012 (KR) 30-2012-0051240

(51) **LOC (10) Cl.** **14-02**

(57) **CLAIM**

The ornamental design for mobile communication terminal, as shown and described.

(52) **U.S. Cl.**

USPC **D14/341**

DESCRIPTION

(58) **Field of Classification Search**

CPC A63H 33/3016; G06F 1/1613; H04M 1/0202; H04M 1/0279; H04M 1/0281; H04M 1/0283

USPC D14/341–347, 137, 138 R, 138 AA, D14/138 C, 138 G, 496, 203.1, 203.3, 203.4, D14/203.7, 129, 130, 147, 218, 247, 248, D14/250, 374, 385, 388, 389, 315–318, 420, D14/426, 439; D10/65, 104.1; D21/324, D21/329, 330, 332; 455/556.1, 556.2, 566, 455/575.1, 90.3; 379/433.04, 433.01, 379/433.06, 916; 345/173, 901, 905; 361/679.26, 679.27, 679.3, 679.55, 361/679.56; D6/308, 310; 463/37; 248/917–924; 348/376; D19/26, 59–60

See application file for complete search history.

1 Claim, 8 Drawing Sheets

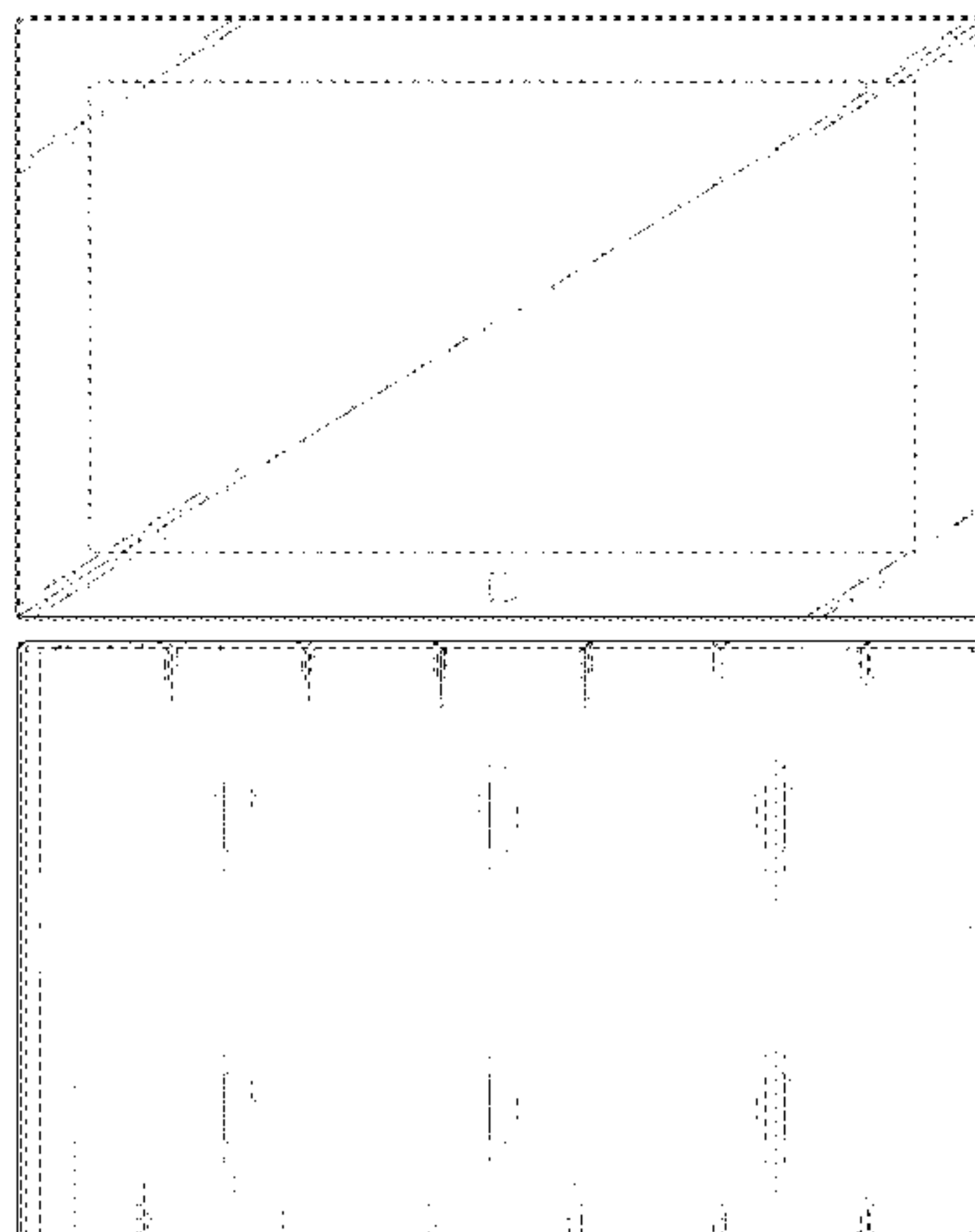


FIG. 1

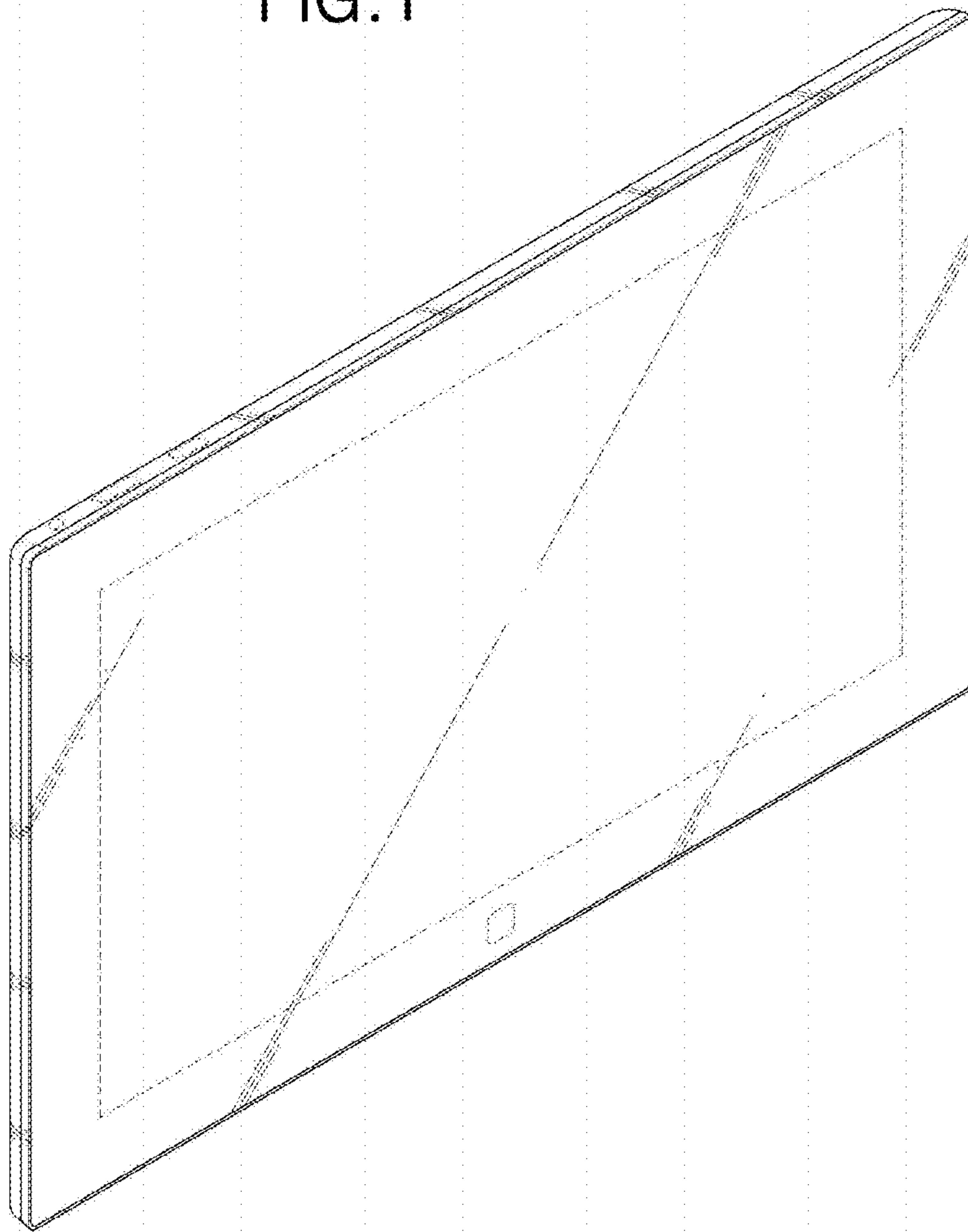


FIG.2

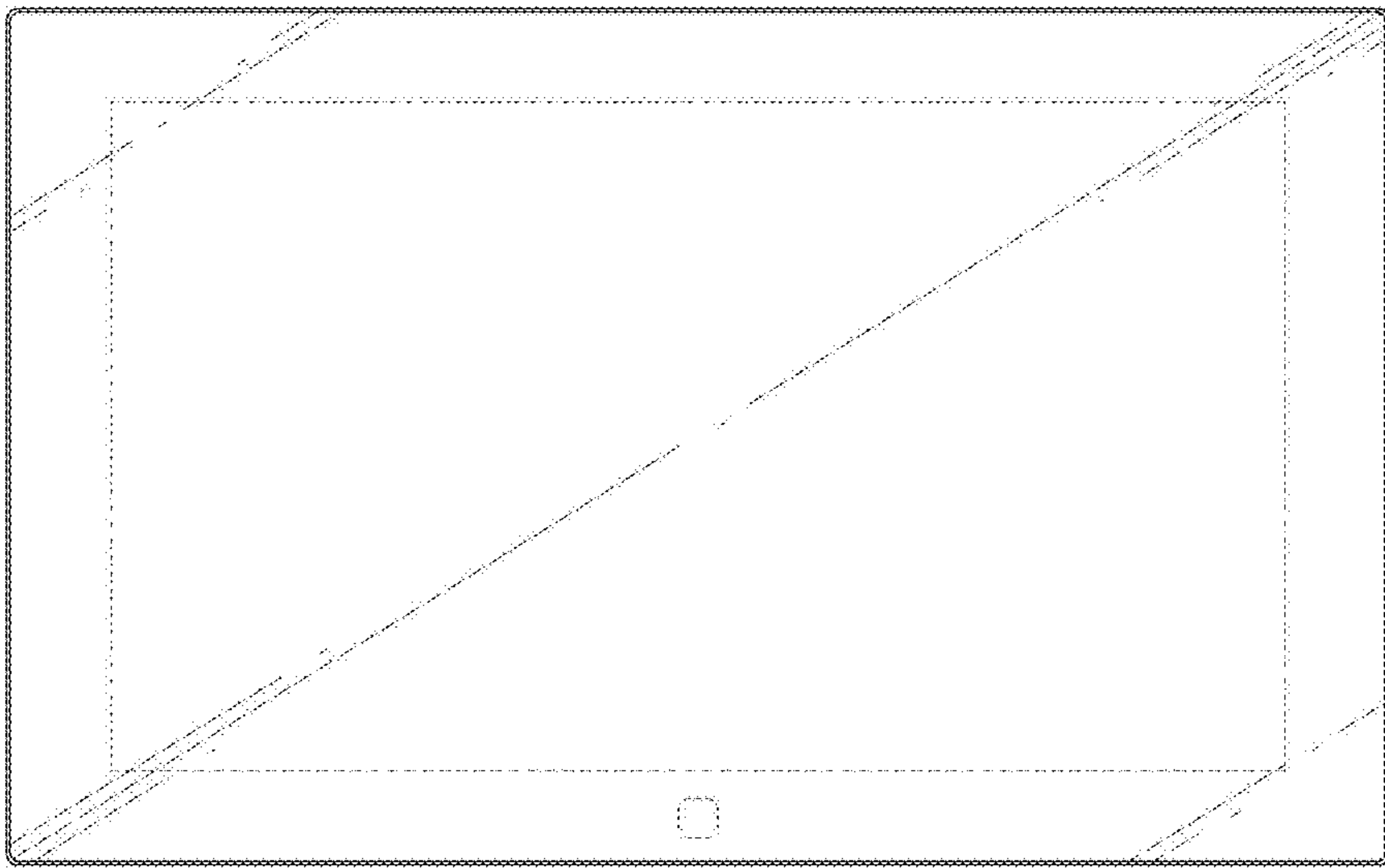


FIG. 3

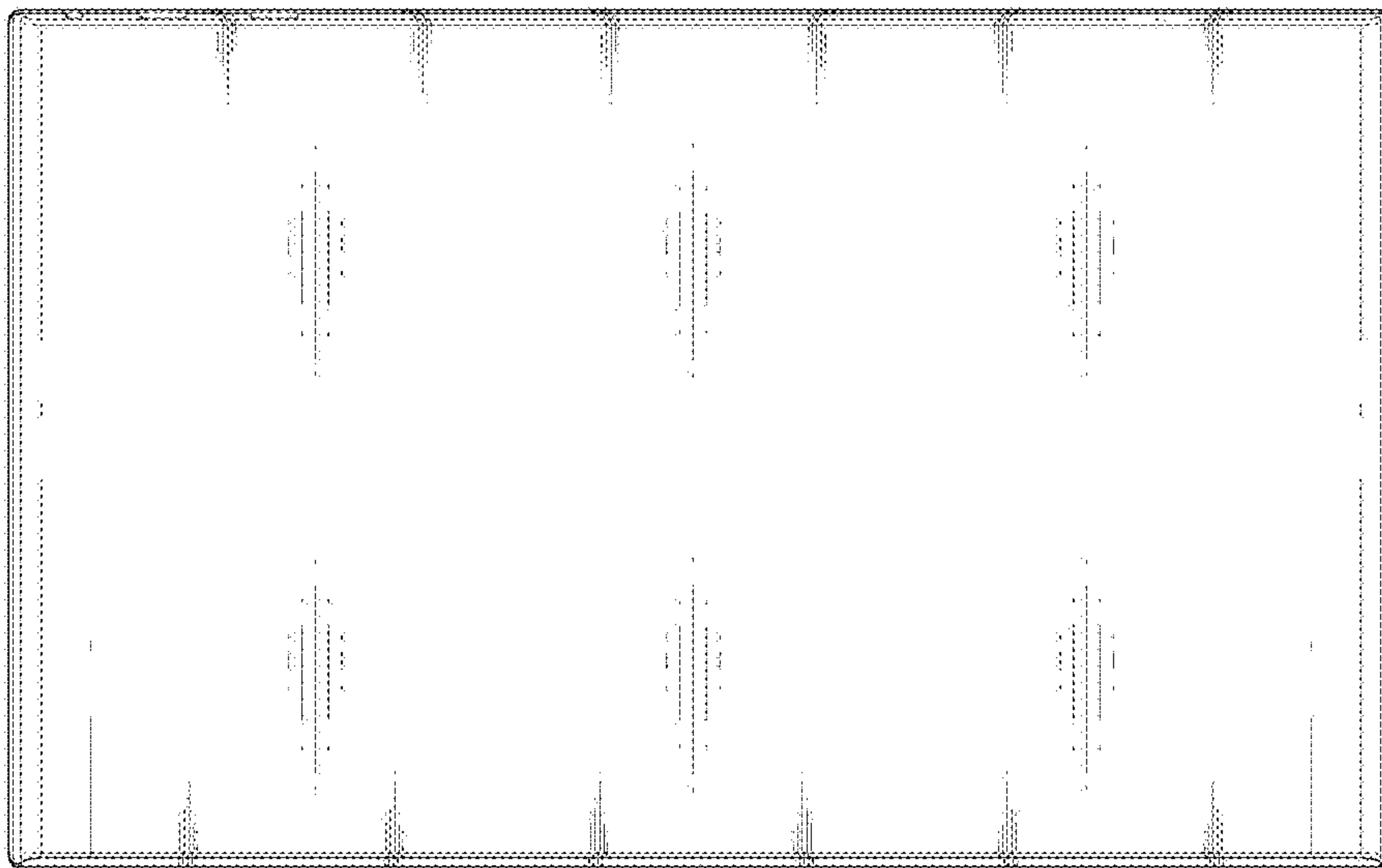


FIG. 4



FIG. 5



FIG. 6

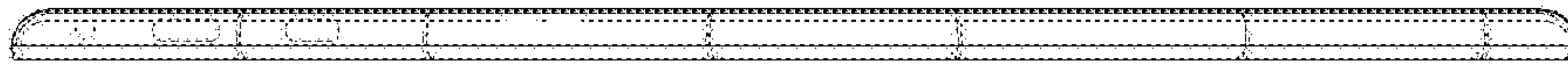


FIG. 7



FIG. 8

