



US00D729232S

(12) **United States Design Patent**
Wu et al.

(10) **Patent No.:** **US D729,232 S**

(45) **Date of Patent:** **** May 12, 2015**

(54) **TABLET COMPUTER**

(56) **References Cited**

(71) Applicant: **Quanta Computer Inc.**, Taoyuan Shien (TW)

U.S. PATENT DOCUMENTS

(72) Inventors: **Chien-Ming Wu**, Taipei (TW);
Jung-Wen Chang, Taoyuan County (TW); **Shih-Yun Lee**, New Taipei (TW)

D514,098 S *	1/2006	Huang et al.	D14/315
D519,500 S *	4/2006	Maskatia et al.	D14/318
D521,992 S *	5/2006	Morooka et al.	D14/316
D547,283 S *	7/2007	Hsiung	D14/129
D585,398 S *	1/2009	Hwang	D14/130
D600,455 S *	9/2009	Nell	D6/308
D615,527 S *	5/2010	Hwang	D14/203.8
D630,636 S *	1/2011	Jeon et al.	D14/374
D638,836 S *	5/2011	Daniel	D14/341
D645,856 S *	9/2011	Cho et al.	D14/315
D649,543 S *	11/2011	Tseng et al.	D14/315
D649,966 S *	12/2011	Chiu	D14/341
D656,137 S *	3/2012	Chung et al.	D14/341
D662,932 S *	7/2012	Park et al.	D14/341
D675,203 S *	1/2013	Yang	D14/341
D678,877 S *	3/2013	Groene et al.	D14/341
D705,218 S *	5/2014	Chae et al.	D14/315
D708,605 S *	7/2014	Yang et al.	D14/315
D709,067 S *	7/2014	Ahn et al.	D14/345
D711,371 S *	8/2014	Chen et al.	D14/341
D712,404 S *	9/2014	Yuan et al.	D14/341

(73) Assignee: **Quanta Computer Inc.**, Taoyuan Shien (TW)

(**) Term: **14 Years**

(21) Appl. No.: **29/450,249**

(22) Filed: **Mar. 15, 2013**

(30) **Foreign Application Priority Data**

Jan. 7, 2013 (TW) 102300166

(51) **LOC (10) Cl.** **14-02**

(52) **U.S. Cl.**
USPC **D14/341**

(58) **Field of Classification Search**
CPC A63H 33/3016; G06F 1/1613; H04M 1/0202; H04M 1/0279; H04M 1/0281; H04M 1/0283

USPC D14/341-347, 137, 138 R, 138 AA, D14/138 C, 138 G, 496, 203.1, 203.3, 203.4, D14/203.7, 129, 130, 147, 248, 250, 374, D14/385, 388, 389, 315-318, 439, 126, 336, D14/339, 340; D10/65, 104.1; D21/324, D21/329, 330, 332; 455/556.1, 556.2, 566, 455/575.1, 90.3; 379/433.04, 433.01, 379/433.06, 916; 345/173; 361/679.26, 361/679.27, 679.3, 679.55, 679.56, 361/680-686; D6/310; 463/37; 248/917-924; 348/373, 376; D19/26

See application file for complete search history.

(Continued)

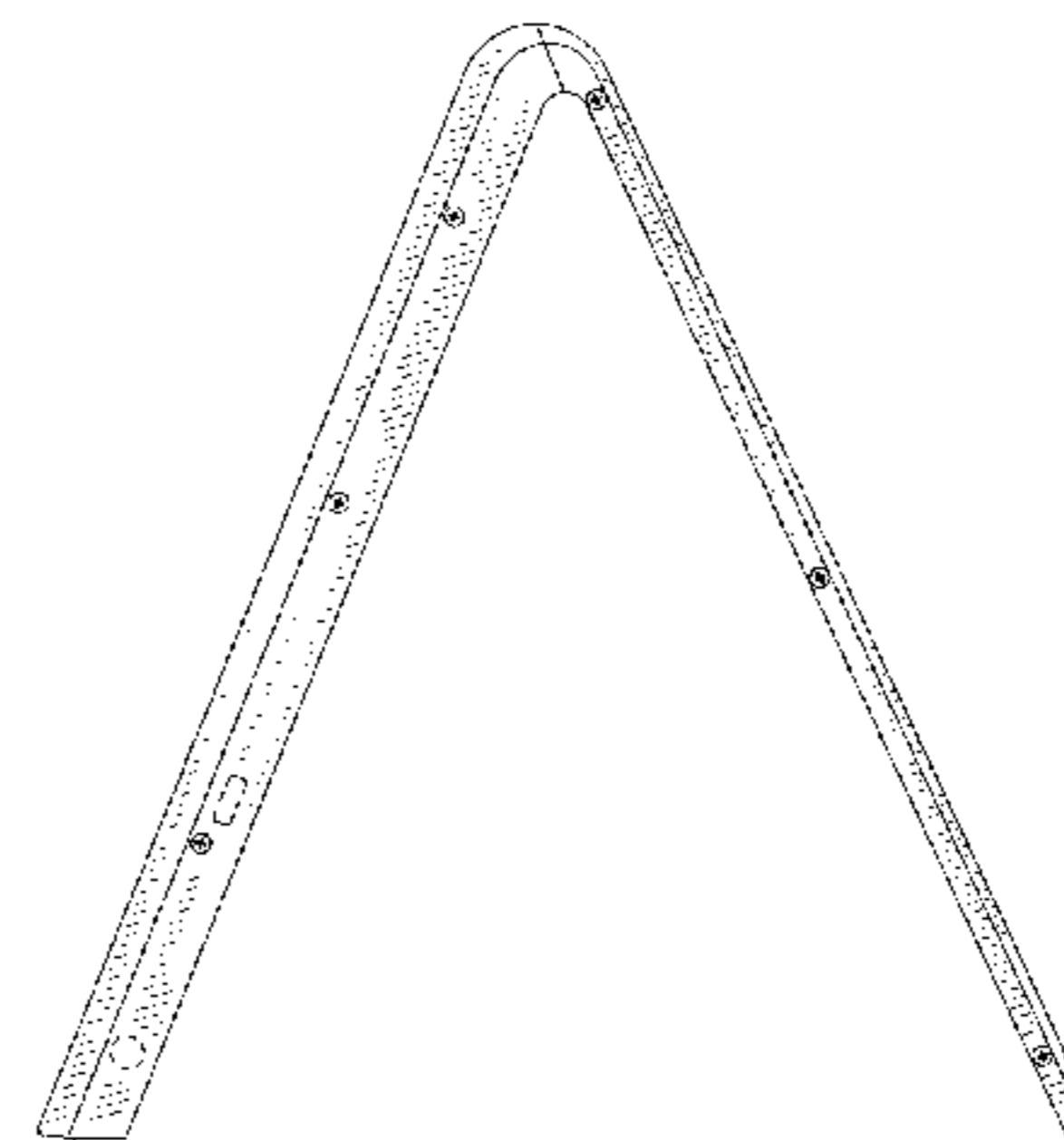
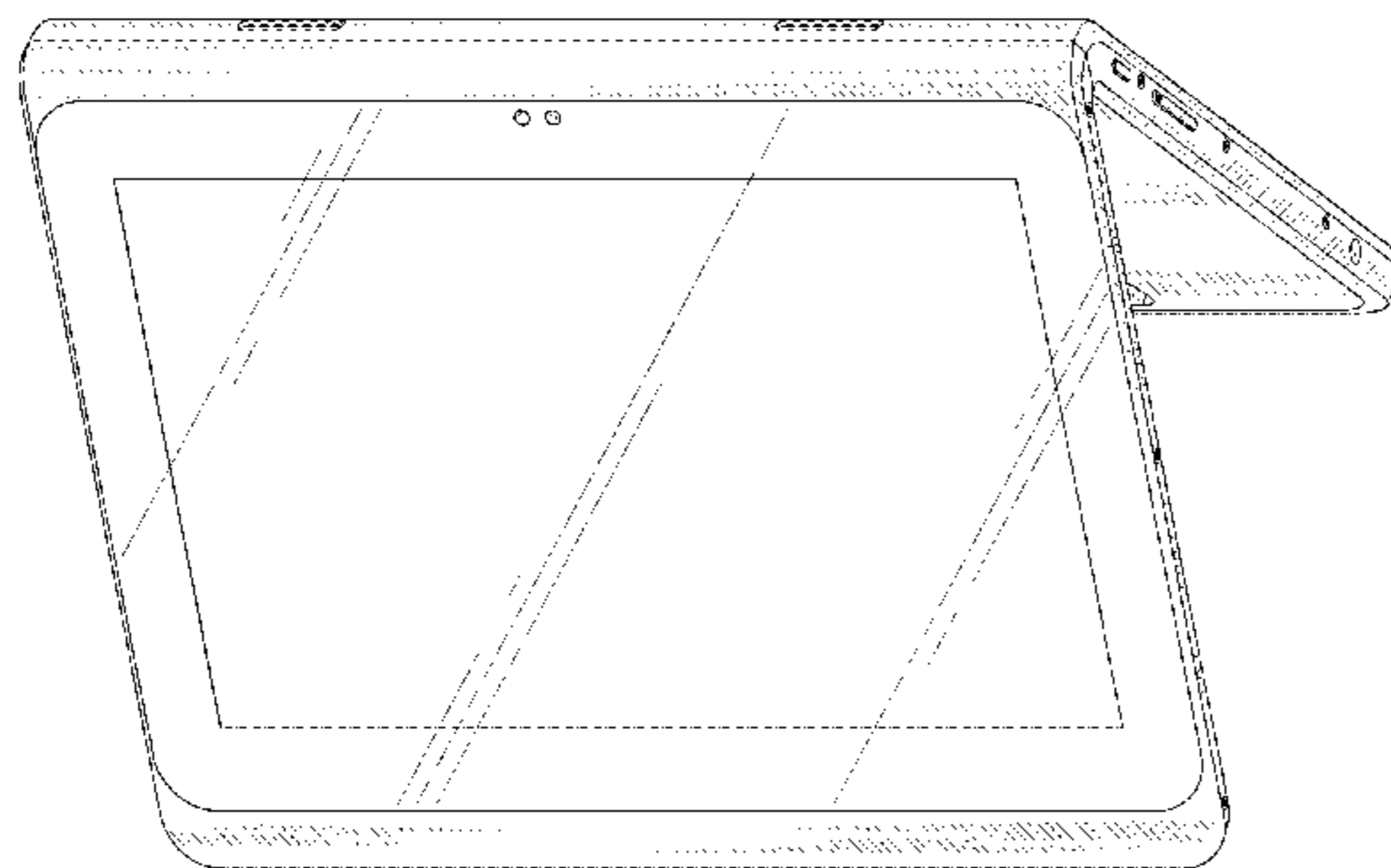
Primary Examiner — Barbara Fox
Assistant Examiner — Dana K Weiland
(74) *Attorney, Agent, or Firm* — Rabin & Berdo, P.C.

(57) **CLAIM**
The ornamental design for a tablet computer, as shown and described.

DESCRIPTION

FIG. 1 is a perspective view of a tablet computer showing our new design;
FIG. 2 is a front view thereof;
FIG. 3 is a rear view thereof;
FIG. 4 is a left side view thereof;
FIG. 5 is a right side view thereof;
FIG. 6 is a top view thereof; and,
FIG. 7 is a bottom view thereof.
The broken lines shown in the drawings represent portions of the tablet computer that form no part of the claimed design.

1 Claim, 4 Drawing Sheets



US D729,232 S

Page 2

(56)

References Cited

U.S. PATENT DOCUMENTS

D721,698 S *	1/2015	Lee et al.	D14/316	
2005/0063145 A1 *	3/2005	Homer et al.	361/683	
2013/0135837 A1 *	5/2013	Kemppinen	361/807	
D716,793 S *	11/2014	Lee et al.	D14/315	
D717,795 S *	11/2014	Oakley	D14/371	* cited by examiner

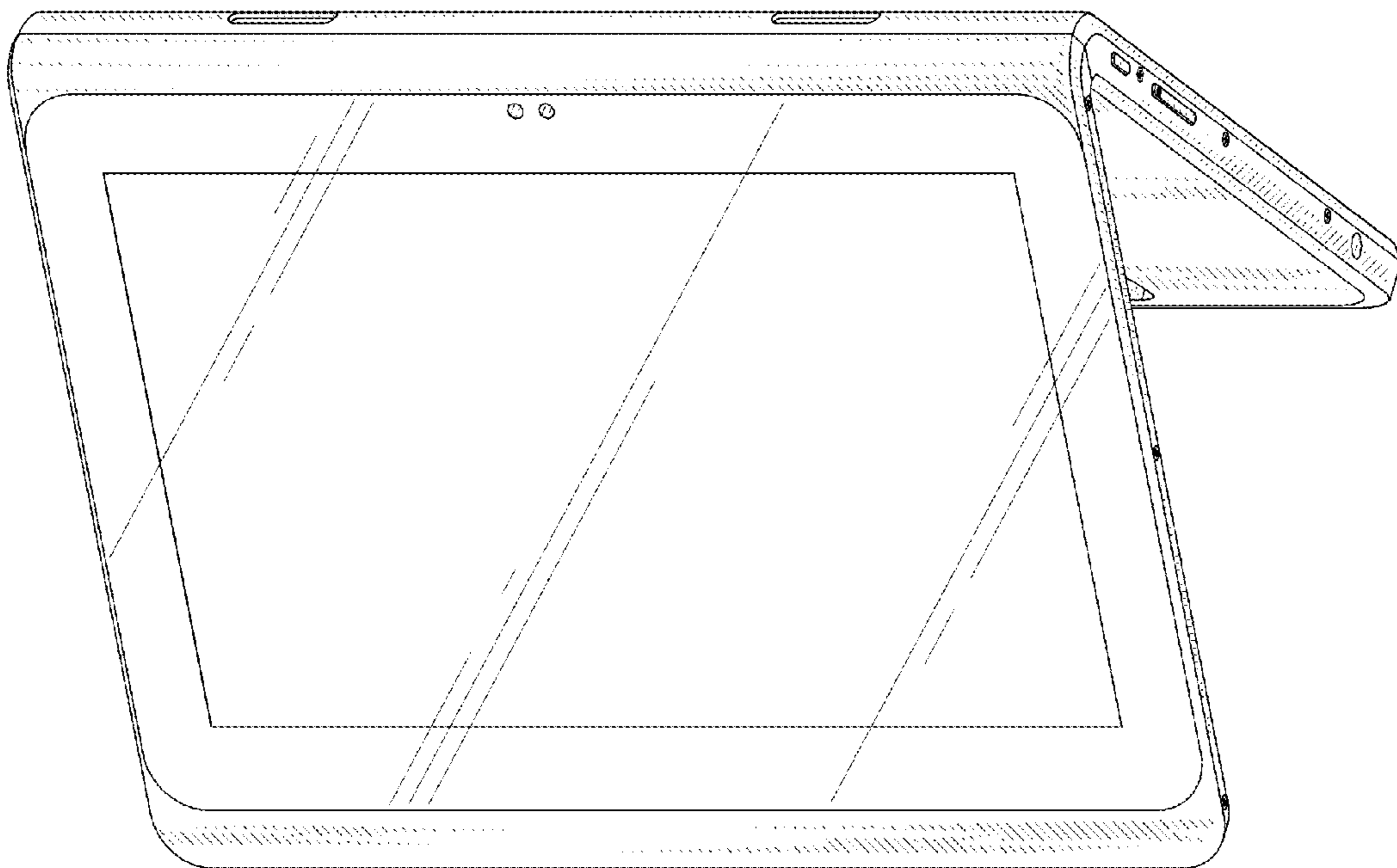


FIG. 1

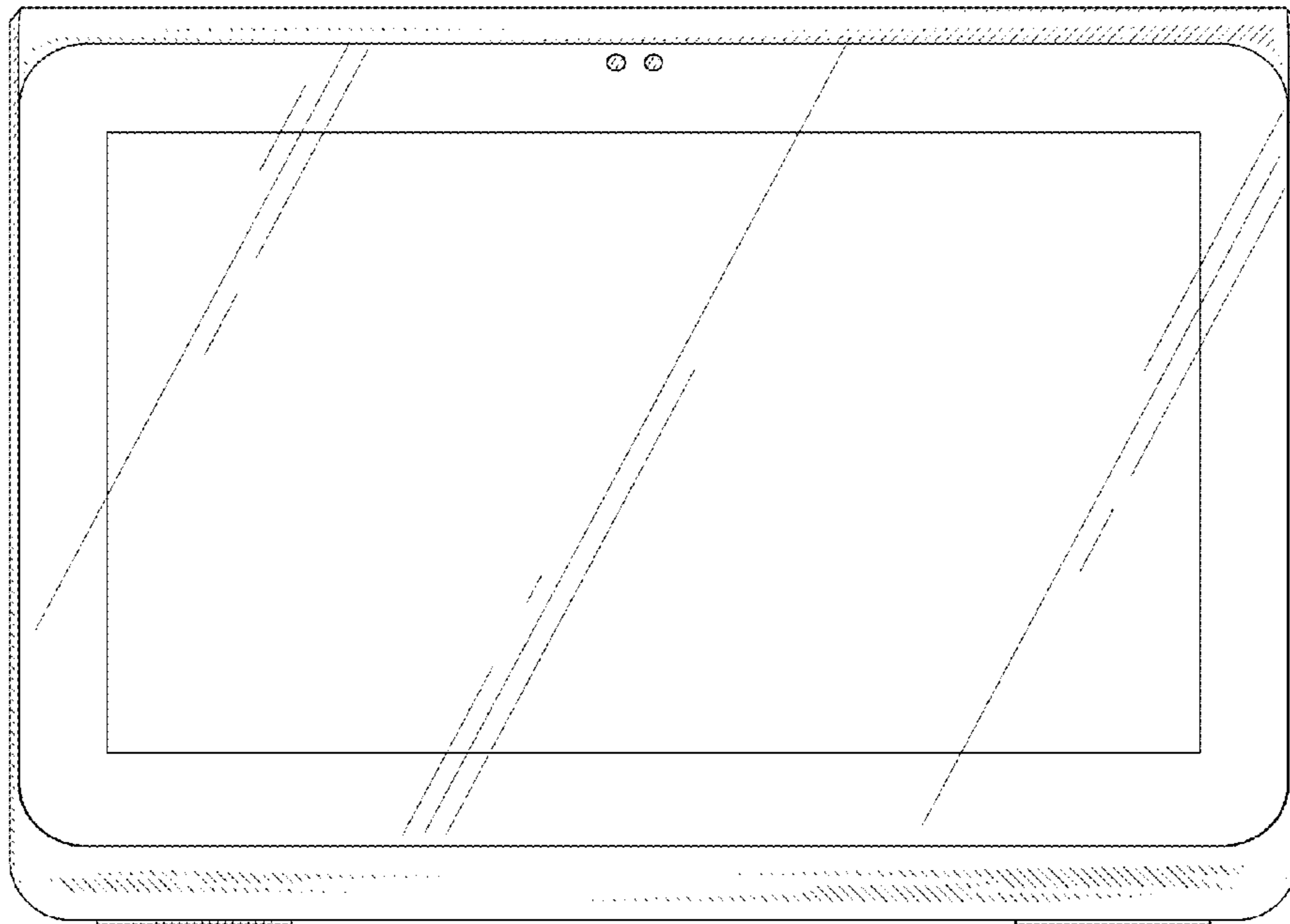


FIG. 2

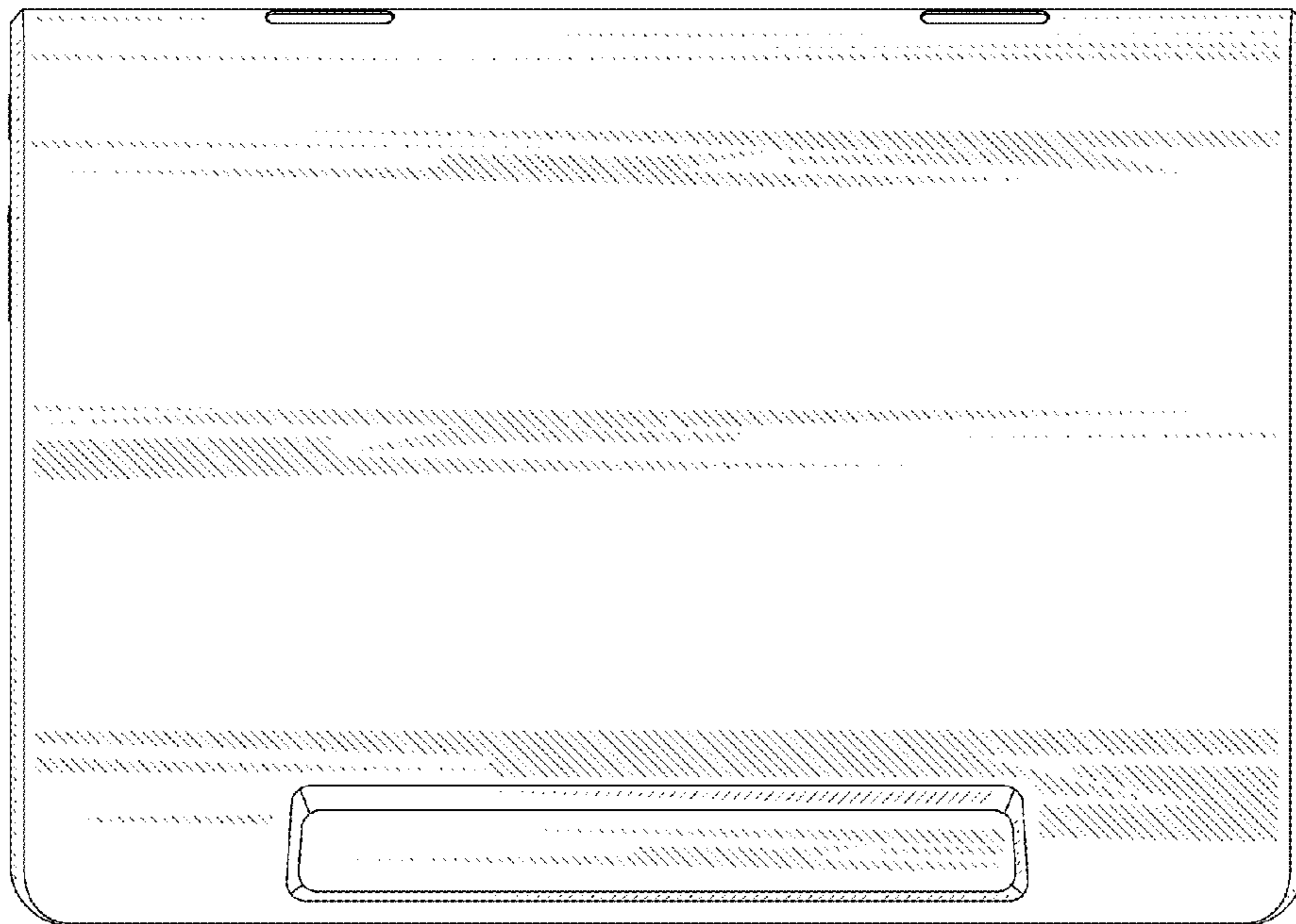


FIG. 3

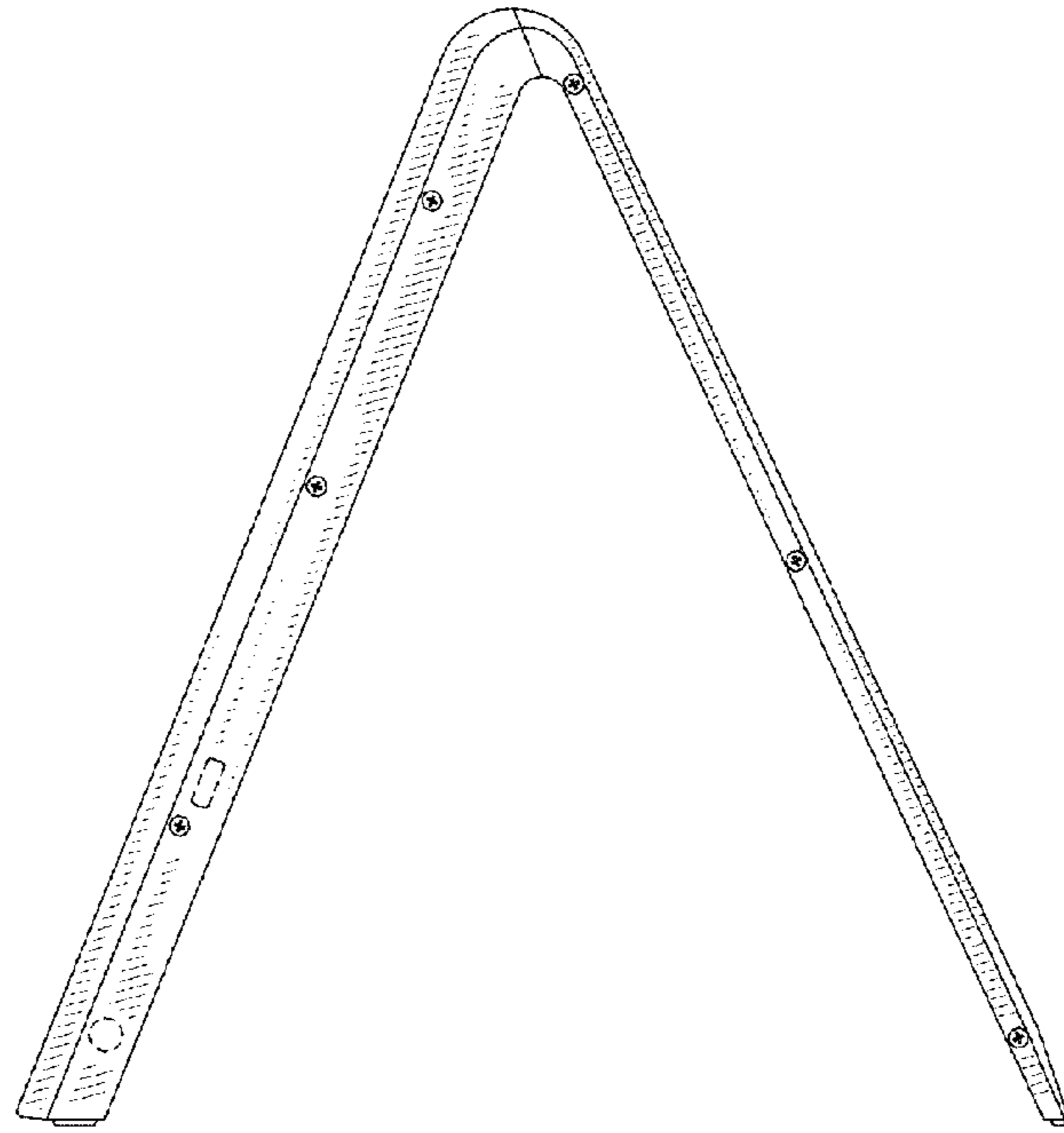


FIG. 4

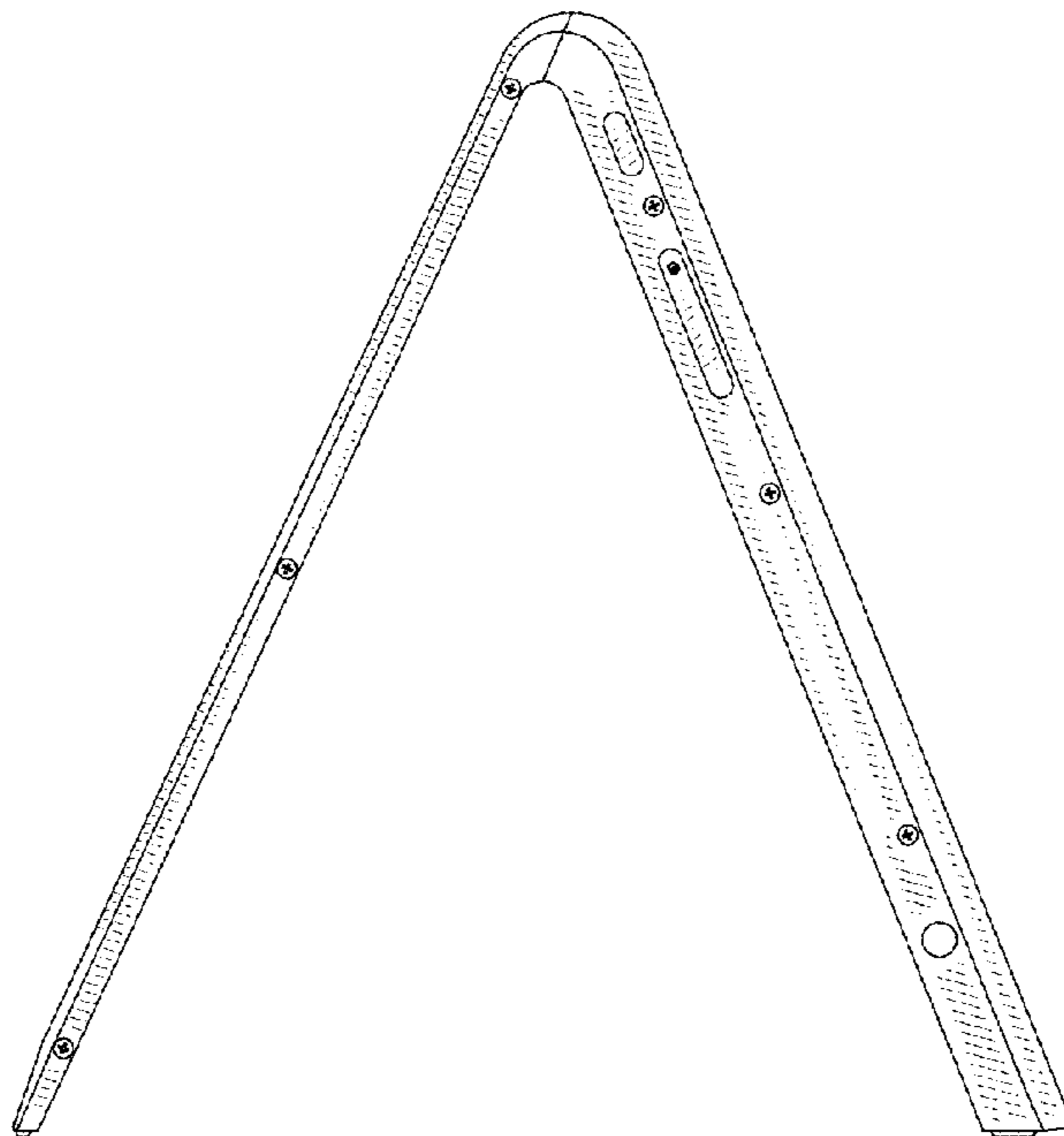


FIG. 5

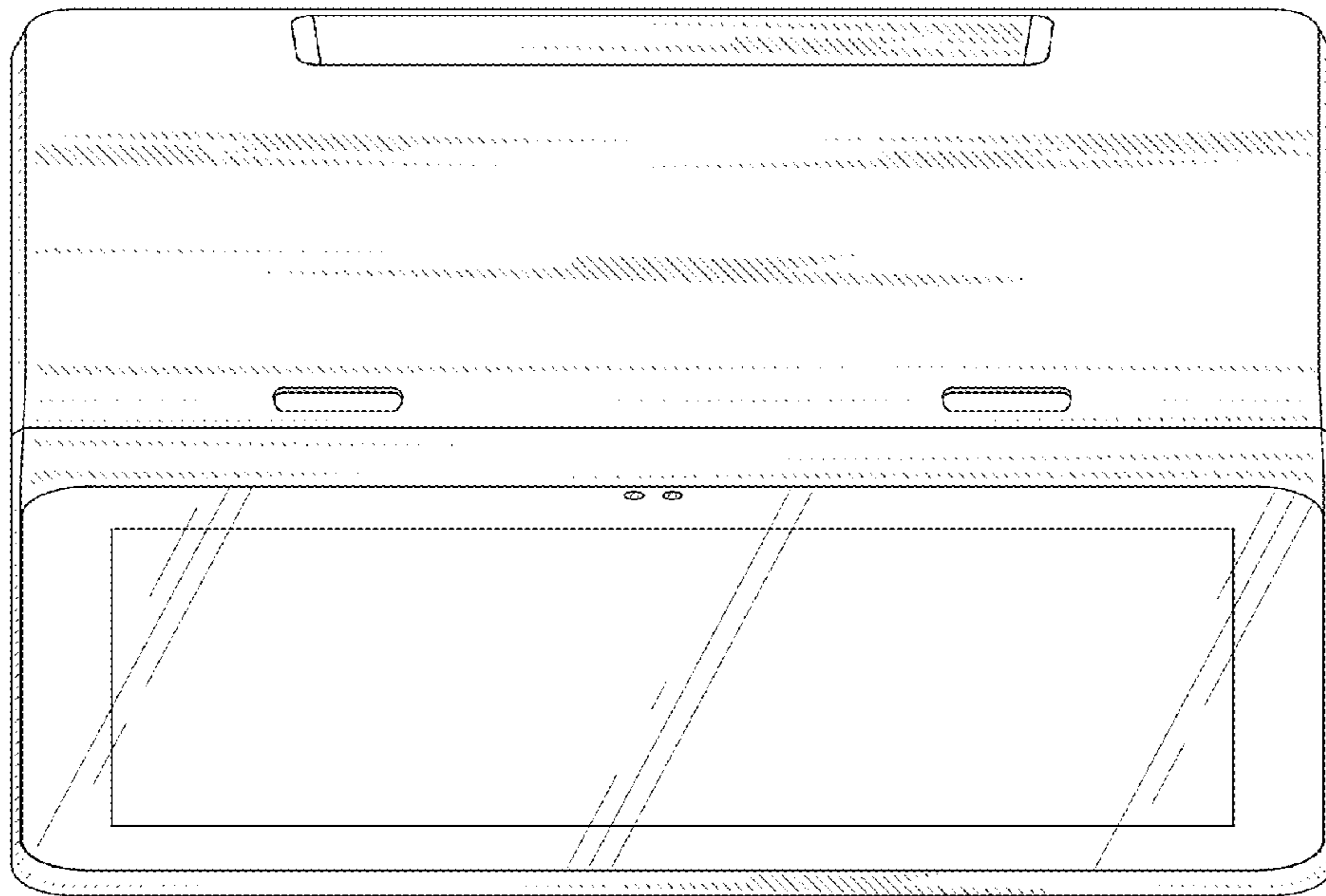


FIG. 6

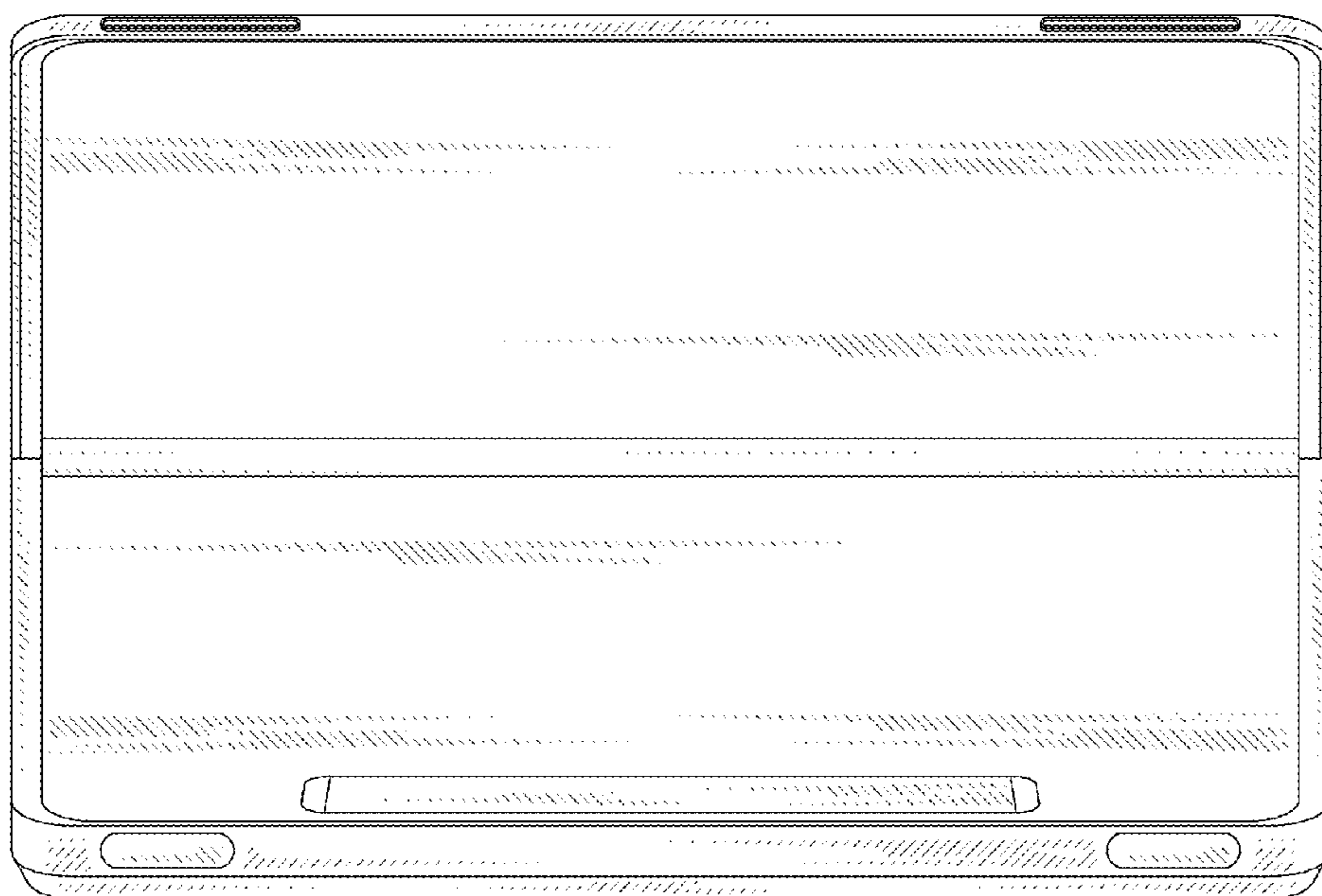


FIG. 7