



US00D729224S

(12) **United States Design Patent**
Kishita et al.

(10) **Patent No.:** **US D729,224 S**
(45) **Date of Patent:** **** May 12, 2015**

(54) **PROCESS CONTROL INSTRUMENT**

(56) **References Cited**

- (71) Applicant: **Mitsubishi Heavy Industries, Ltd.**,
Tokyo (JP)
- (72) Inventors: **Koichi Kishita**, Tokyo (JP); **Kazuyuki Misawa**, Tokyo (JP); **Kenichi Morimoto**, Tokyo (JP); **Yuichi Yakushiji**, Tokyo (JP); **Sumiko Takeda**, Tokyo (JP)
- (73) Assignee: **Mitsubishi Hitachi Power Systems, Ltd.**, Kanagawa (JP)
- (**) Term: **14 Years**
- (21) Appl. No.: **29/461,907**
- (22) Filed: **Jul. 29, 2013**
- (30) **Foreign Application Priority Data**

U.S. PATENT DOCUMENTS

D432,094	S	*	10/2000	Mowery	D13/177
D470,826	S	*	2/2003	Bergmann	D13/184
D578,081	S	*	10/2008	Corbin	D13/177
D579,882	S	*	11/2008	Corbin	D13/177
D616,815	S	*	6/2010	Jadraque Aznarez	
				et al.	D13/110
D658,598	S	*	5/2012	Ling et al.	D13/177
D677,635	S	*	3/2013	Ling et al.	D13/177
D686,095	S	*	7/2013	Matsumiya et al.	D10/49

* cited by examiner

Primary Examiner — Caron D Veynar
Assistant Examiner — Holly E Thurman
(74) *Attorney, Agent, or Firm* — Birch, Stewart, Kolasch & Birch, LLP

(57) **CLAIM**

The ornamental design for a process control instrument, as shown and described.

DESCRIPTION

FIG. 1 is a perspective view of a process control instrument. FIG. 2 is a front elevation view thereof. FIG. 3 is a rear elevation view thereof. FIG. 4 is a left side elevation view thereof. FIG. 5 is a right side elevation view thereof. FIG. 6 is a top plan view thereof. FIG. 7 is a bottom plan view thereof; and, FIG. 8 is a cross-sectional view taken along the line 8-8 in FIG. 2, which omits the internal structure. The portions of the process control instrument shown in broken lines are for the purpose of showing environmental structure only and form no part of the claimed design. The oblique line shading illustrates translucency.

- Jan. 30, 2013 (JP) 2013-001734
- (51) **LOC (10) Cl.** **14-02**
- (52) **U.S. Cl.**
- USPC **D14/300**
- (58) **Field of Classification Search**
- CPC H02G 3/088; H02G 3/081; H02G 3/086;
H02G 3/123; H02G 3/14
- USPC D14/140.1, 140.2, 140.3, 144, 147, 148,
D14/149, 150, 151, 300, 301, 302, 308, 311,
D14/312, 349, 353, 354, 356, 357, 358;
D10/49, 123; D13/110, 139.1, 162,
D13/162.1, 164, 177; 174/50; 361/600, 622;
455/128, 347

See application file for complete search history.

1 Claim, 8 Drawing Sheets

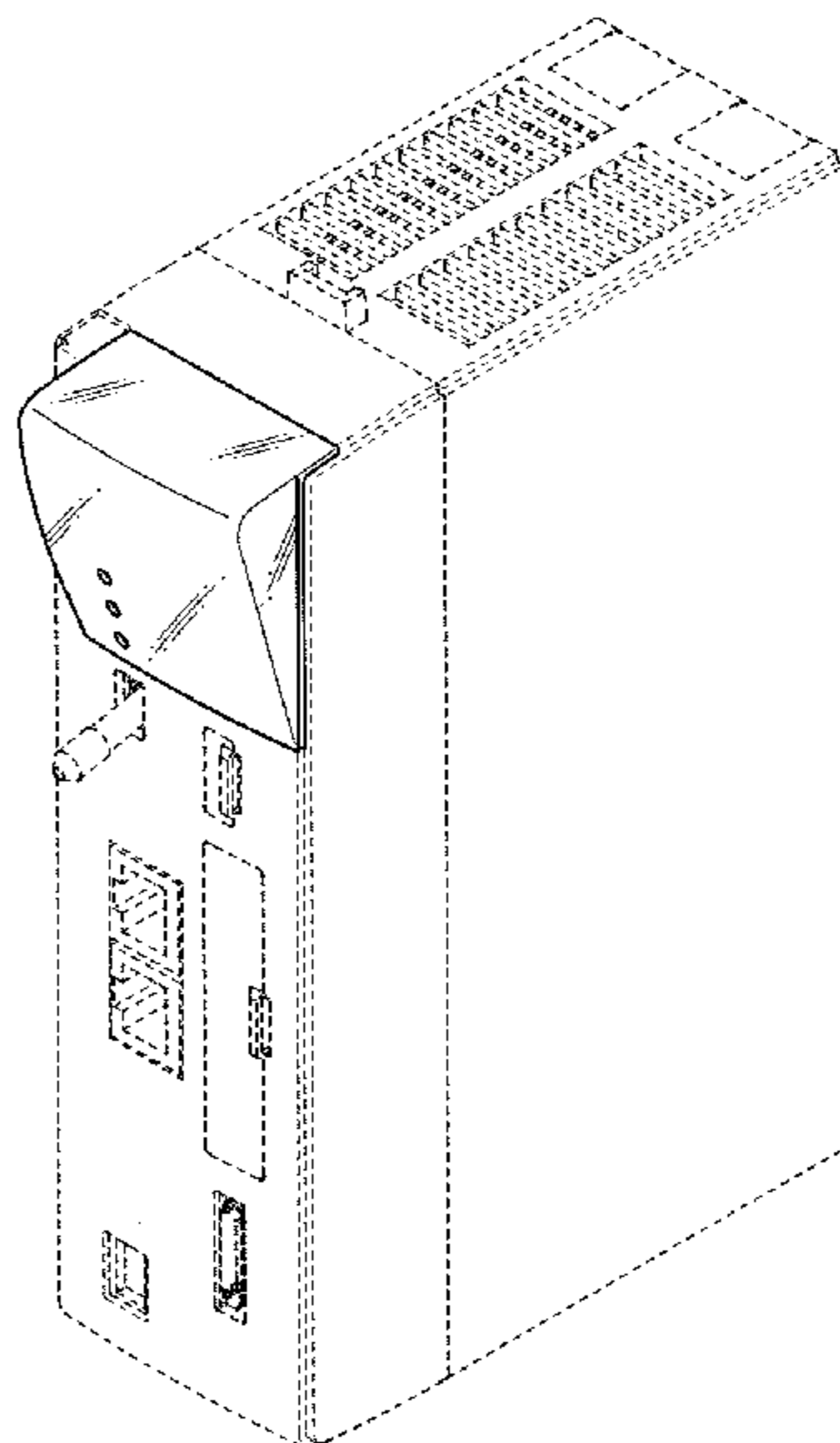


FIG. 1

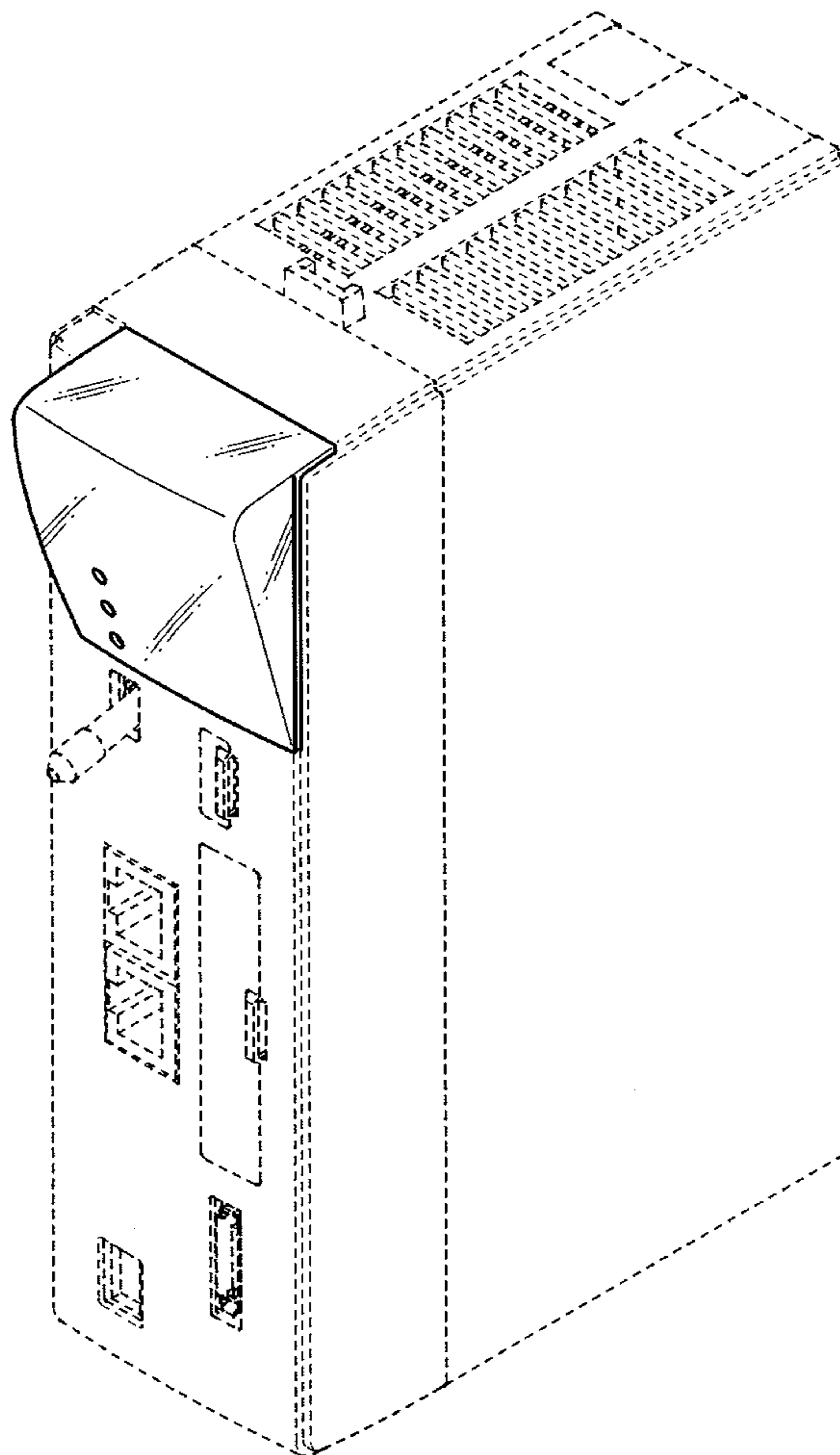


FIG. 2

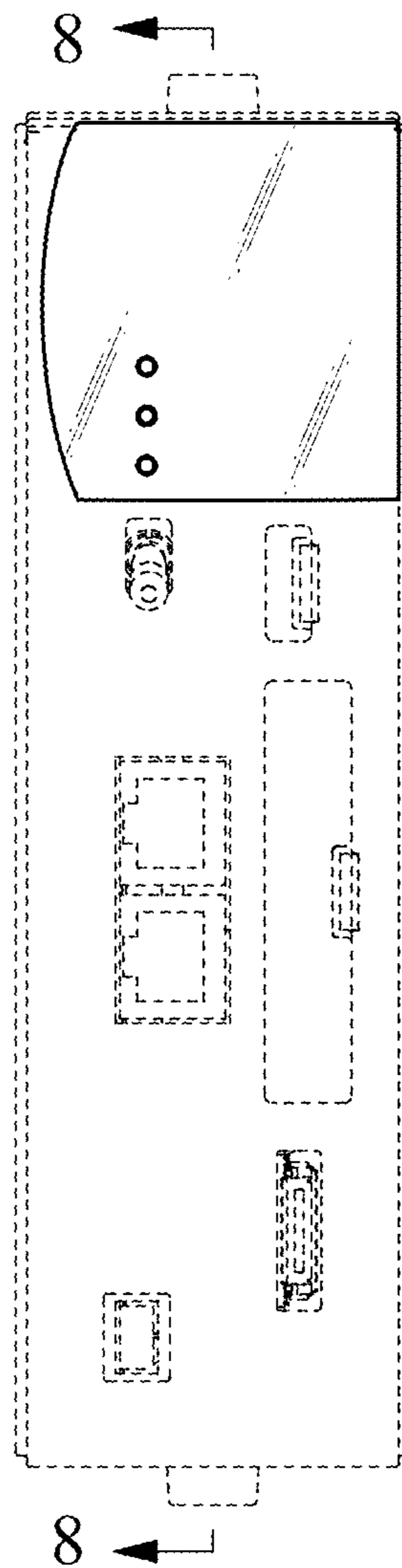


FIG. 3

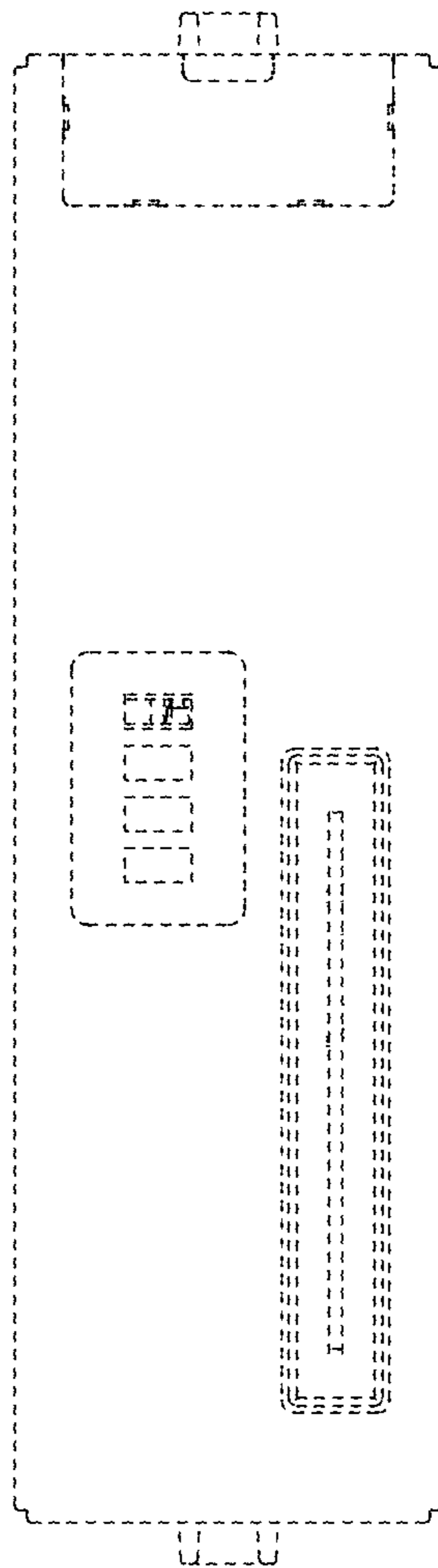


FIG. 4

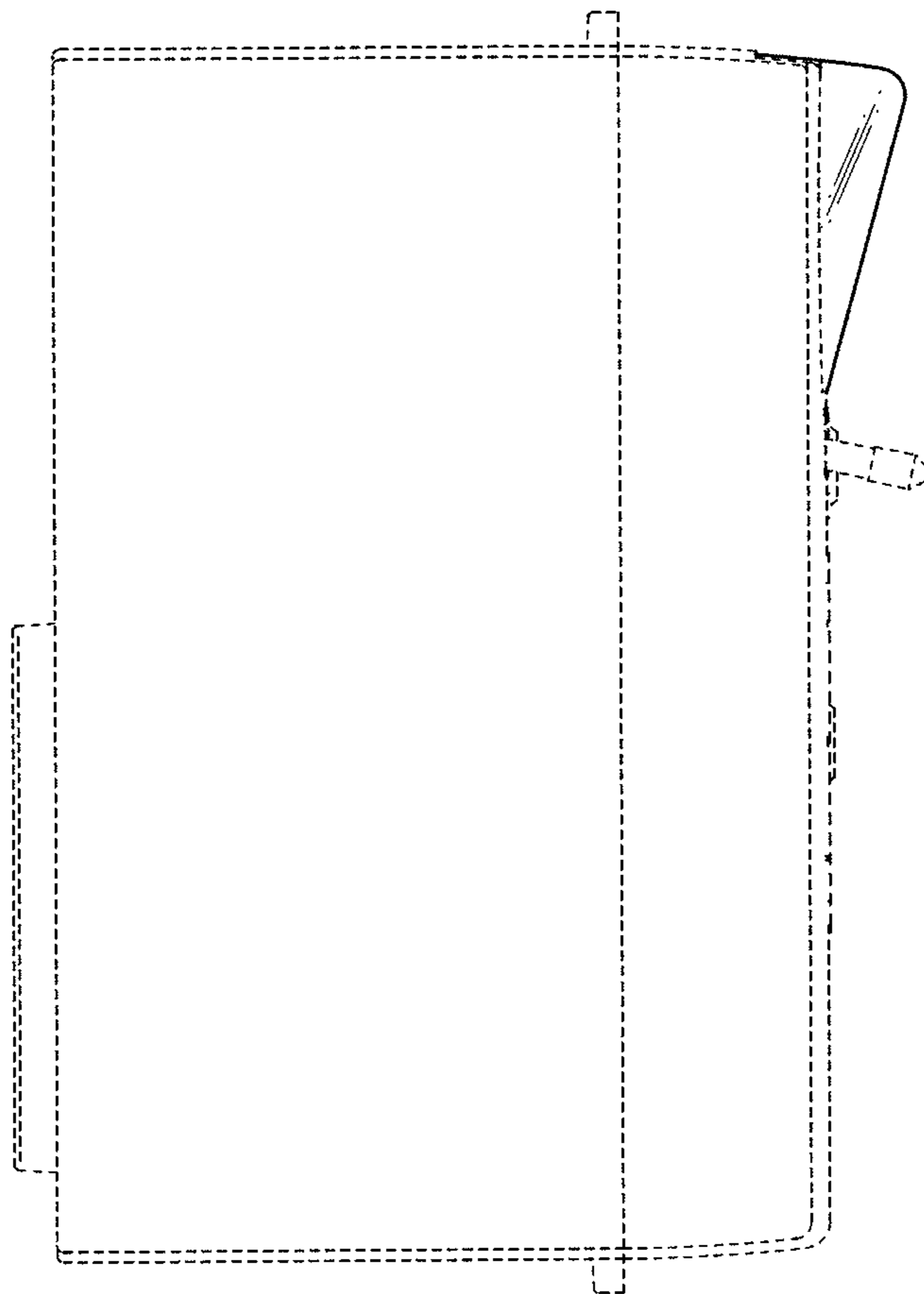


FIG. 5

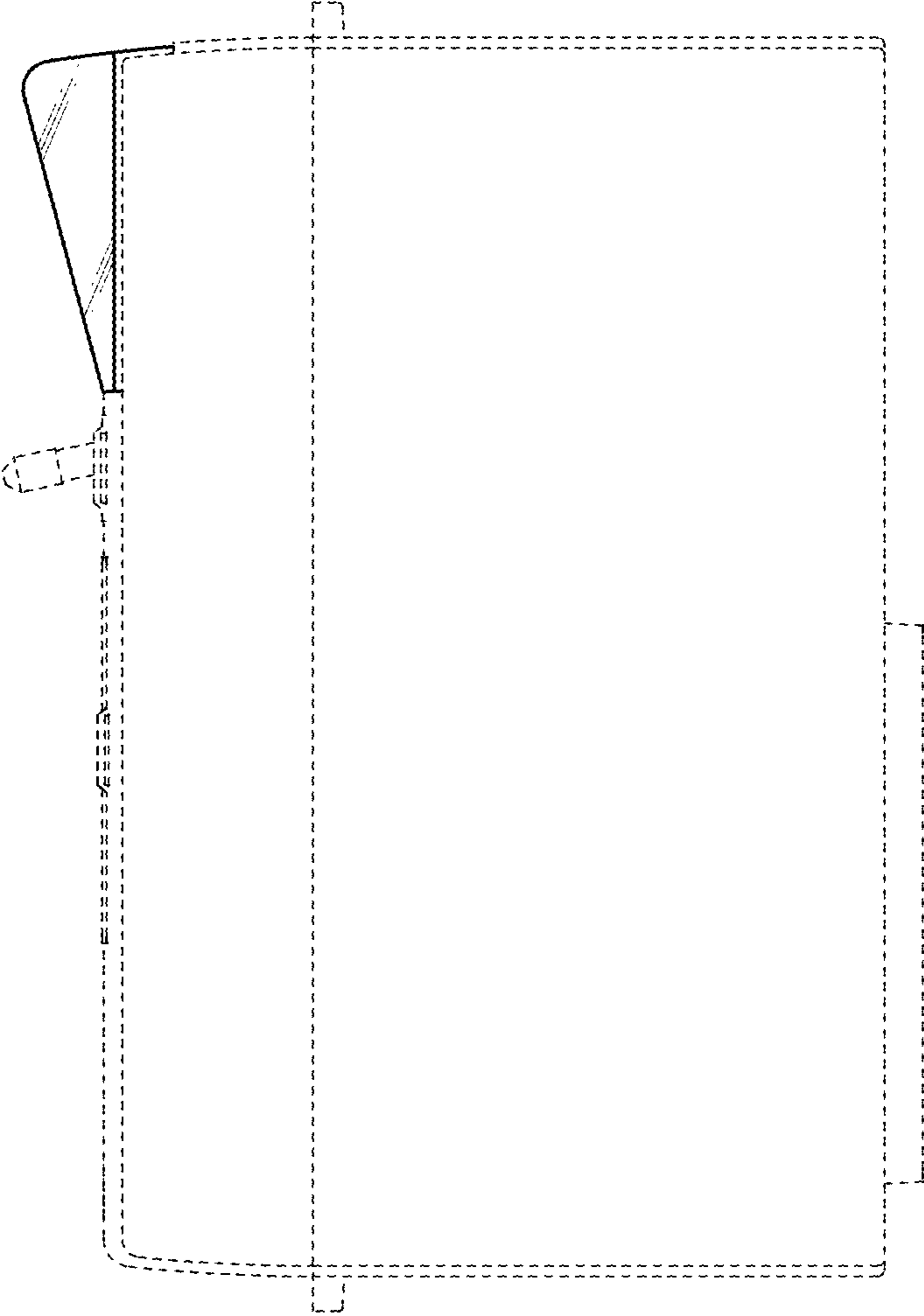


FIG. 6

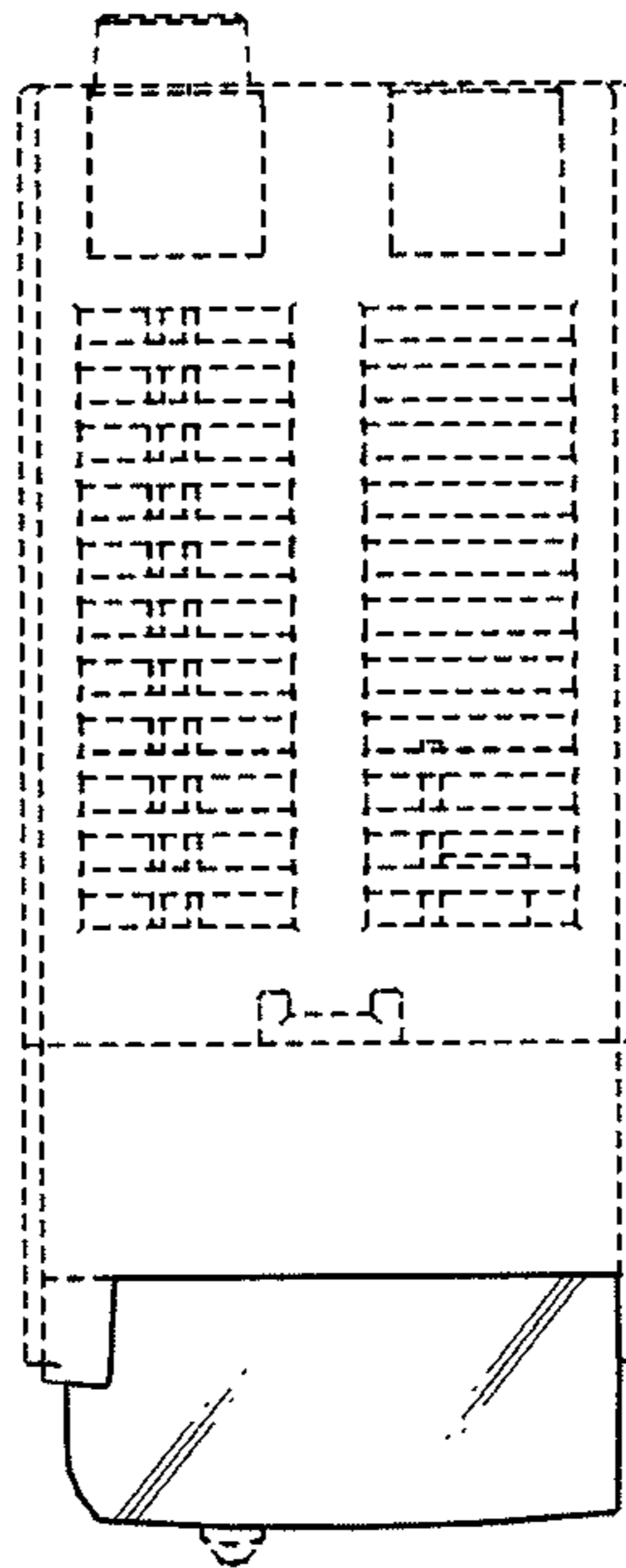


FIG. 7

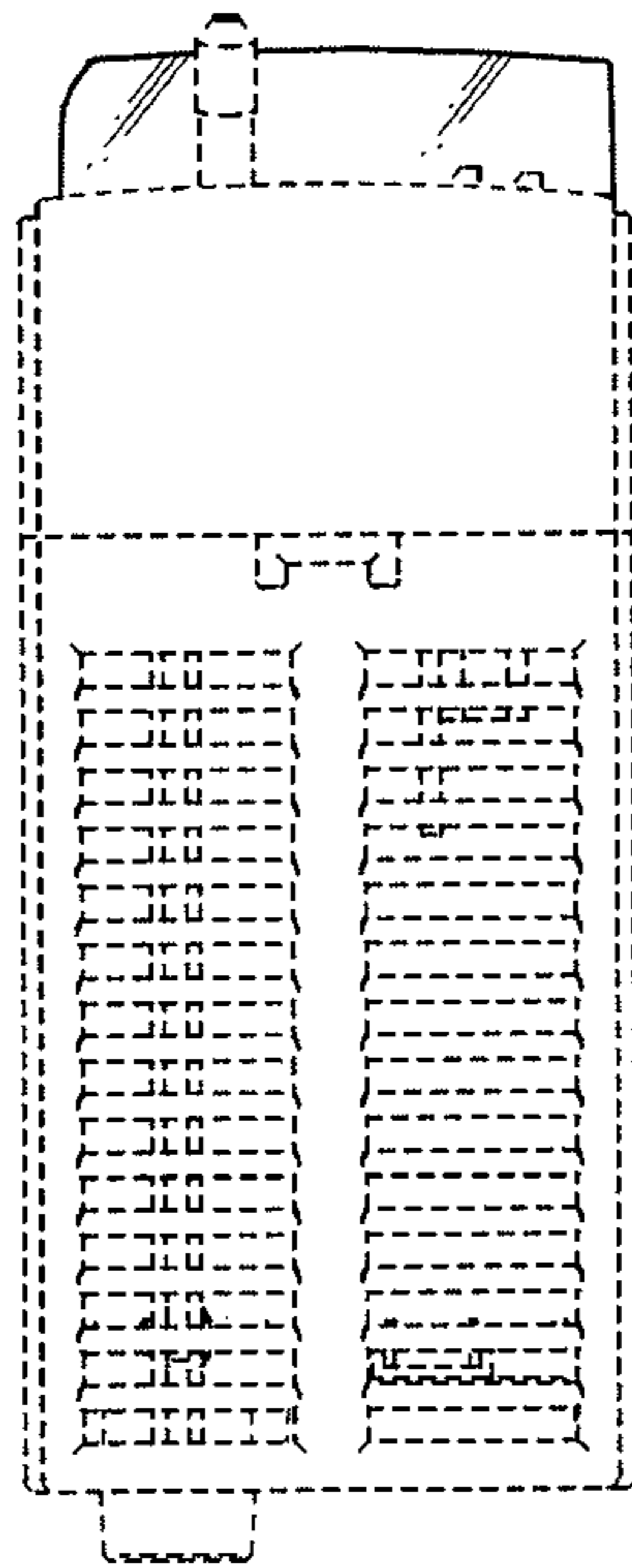


FIG. 8

