



US00D729222S

(12) **United States Design Patent**
Grziwok et al.

(10) **Patent No.:** **US D729,222 S**

(45) **Date of Patent:** **** May 12, 2015**

(54) **MAGNETIC MOUNTING DOCK**

(71) Applicant: **Lilitab LLC**, San Francisco, CA (US)

(72) Inventors: **Bryan Rudolf Grziwok**, Berkeley, CA (US); **Adam Scott Aronson**, San Rafael, CA (US)

(73) Assignee: **Lilitab LLC**, San Rafael, CA (US)

(**) Term: **14 Years**

(21) Appl. No.: **29/450,281**

(22) Filed: **Mar. 15, 2013**

(51) **LOC (10) Cl.** **14-03**

(52) **U.S. Cl.**
USPC **D14/253**

(58) **Field of Classification Search**
USPC D14/137, 140, 140.8, 142, 204, 209.1,
D14/217, 221, 243-256, 434, 440, 444-447,
D14/238.1; D8/363; D3/215, 218, 269;
D6/300, 310, 467, 553-574; 292/342,
292/343; D12/411, 415, 223; D13/108;
455/575.1, 575.8; 206/305, 320;
320/108, 115; 220/4.02; 379/426, 446,
379/455, 433.1

See application file for complete search history.

(56) **References Cited**

U.S. PATENT DOCUMENTS

6,379,073	B1	4/2002	Yoo et al.	
D522,843	S *	6/2006	Richter	D8/363
7,218,510	B2	5/2007	Hillman et al.	
D545,825	S *	7/2007	Richter	D14/447
7,316,377	B2	1/2008	Smed	
D599,355	S *	9/2009	Richter	D14/447
D612,712	S *	3/2010	Rix	D8/363
7,694,922	B2	4/2010	Kim	
D619,586	S *	7/2010	Richter	D14/447

D619,587	S *	7/2010	Richter	D14/447
D681,029	S *	4/2013	Richter	D14/253
2012/0061542	A1	3/2012	Bostater	

OTHER PUBLICATIONS

<http://armodilo.com/products/armotwist>, Armodilo ArmoTwist, 2013, downloaded Sep. 25, 2013, 3 pages.
http://www.ipadenclosures.com/ipad_kiosk_enclosure/ipad_table_mounts_stands/axis-ipad-table-mount, iPad Enclosures LLC, Axis iPad Mount, 2013, downloaded Sep. 25, 2013, 4 pages.

* cited by examiner

Primary Examiner — Stella Reid

Assistant Examiner — Khawaja Anwar

(74) *Attorney, Agent, or Firm* — Fish & Richardson P.C.

(57) **CLAIM**

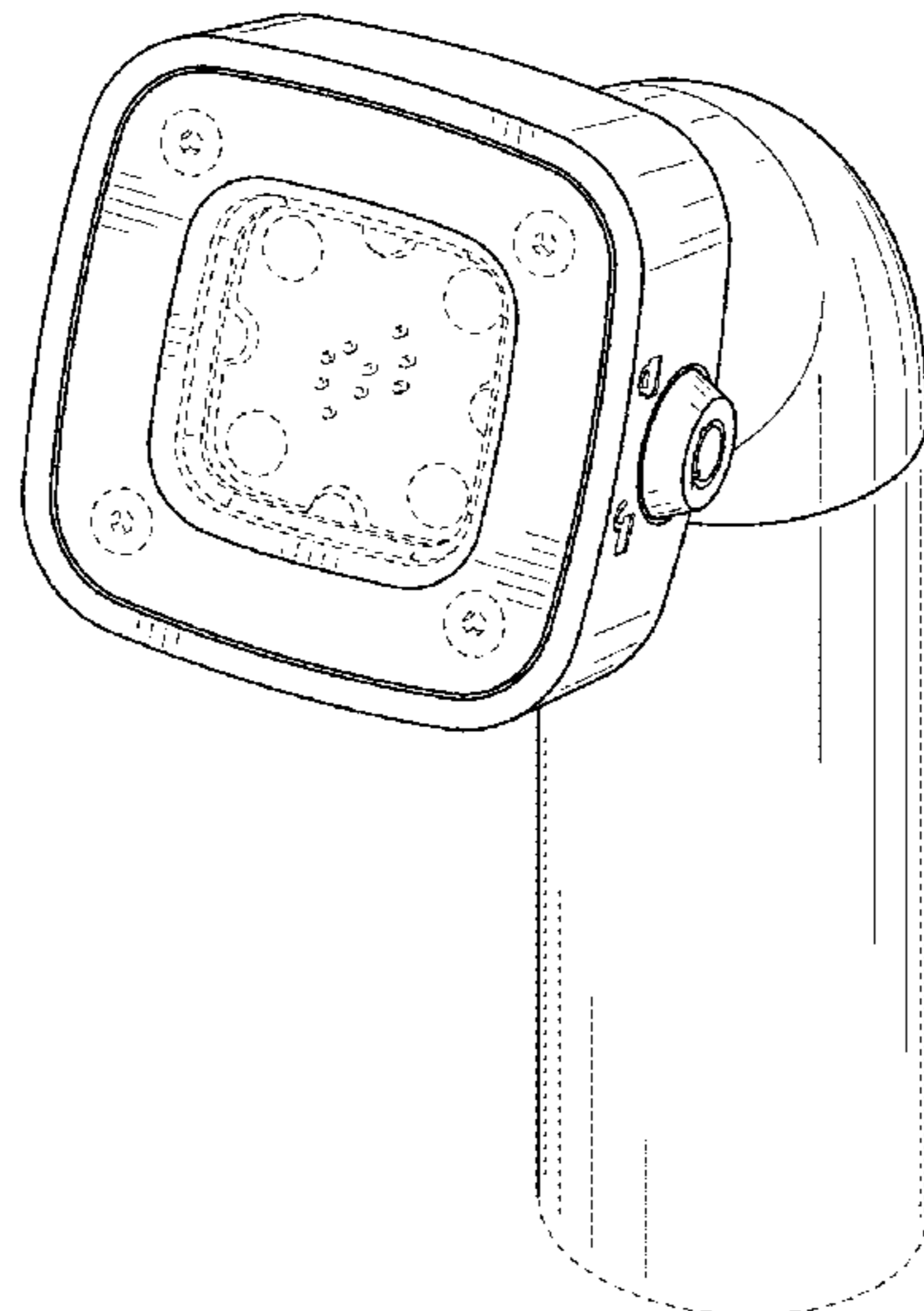
The ornamental design for a magnetic mounting dock, substantially as shown and described.

DESCRIPTION

FIG. 1 is perspective view of a magnetic mounting dock.
FIG. 2 is a front elevation view of a magnetic mounting dock.
FIG. 3 is a rear elevation view of a magnetic mounting dock.
FIG. 4 is a right side elevation view of a magnetic mounting dock.
FIG. 5 is a left side elevation view of a magnetic mounting dock.
FIG. 6 is a top plan view of a magnetic mounting dock.
FIG. 7 is a bottom plan view of a magnetic mounting dock; and,
FIG. 8 is another perspective view thereof, shown in a use condition.

The ornamental design that is claimed is shown in solid lines in the figures. The broken lines shown in FIGS. 1-7 of the drawings show unclaimed subject matter only and form no part of the claimed design. The broken lines in FIG. 8 that depict a tablet computer enclosure show unclaimed environment only and form no part of the claimed design.

1 Claim, 5 Drawing Sheets



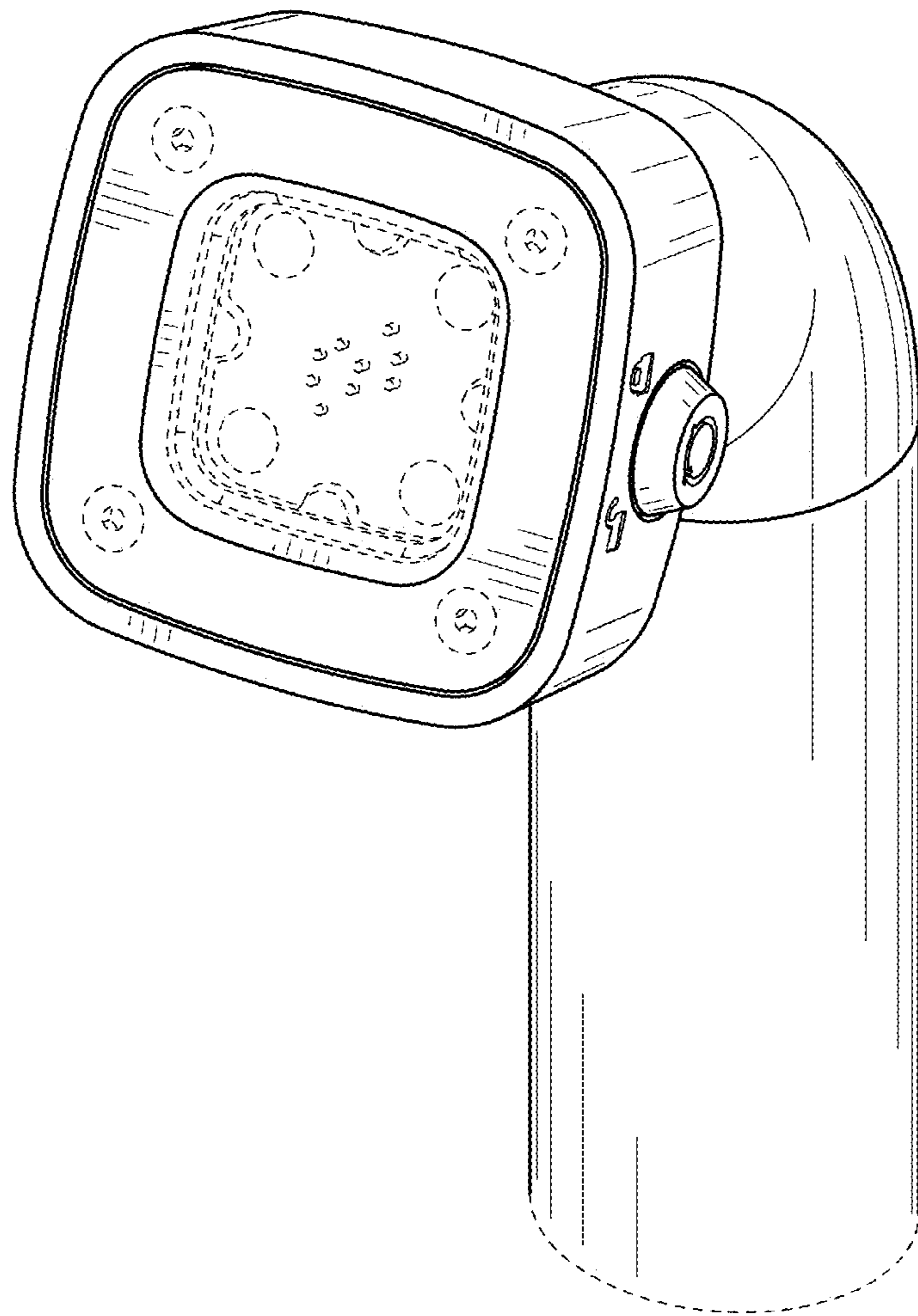


FIG. 1

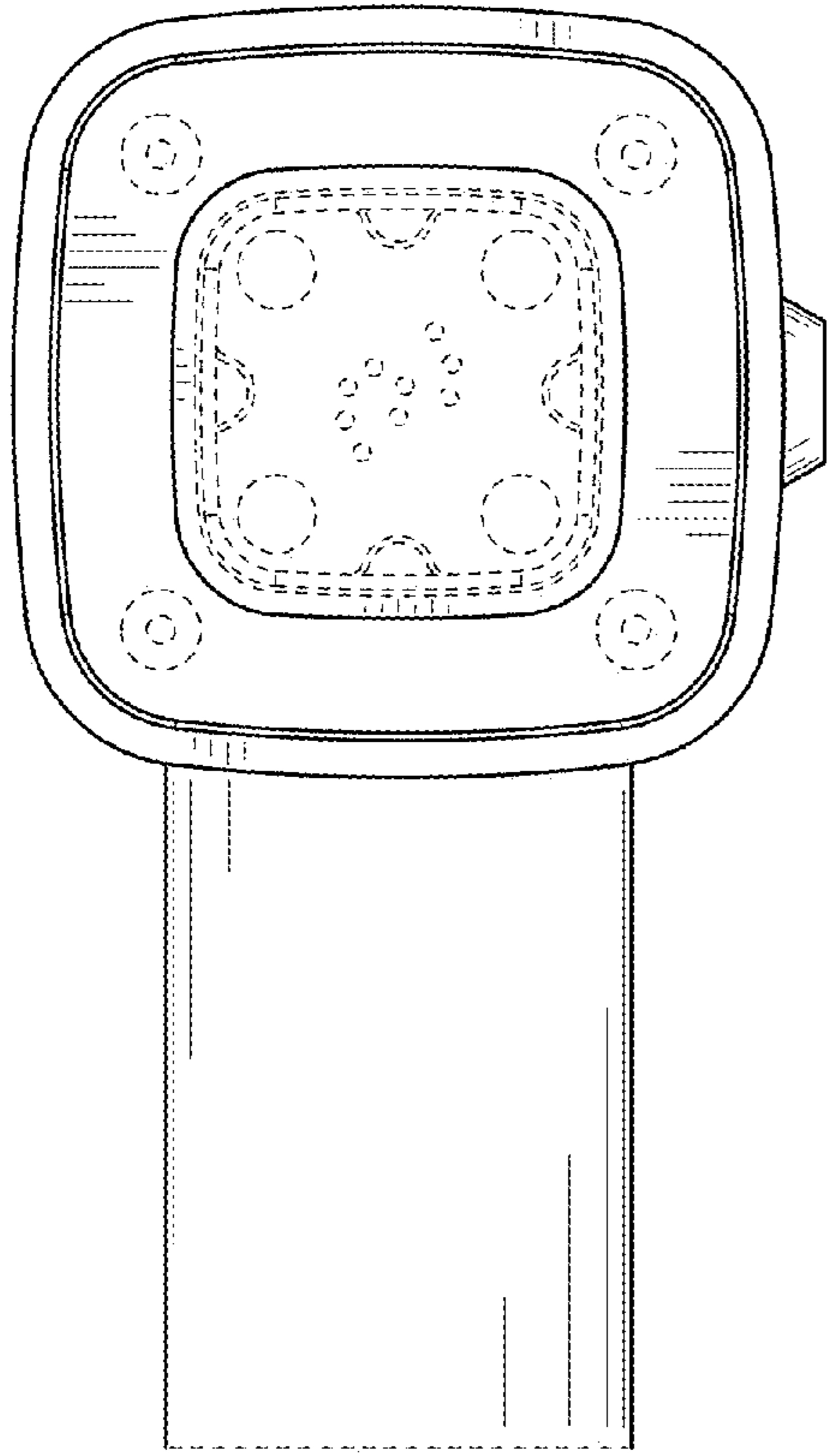


FIG. 2

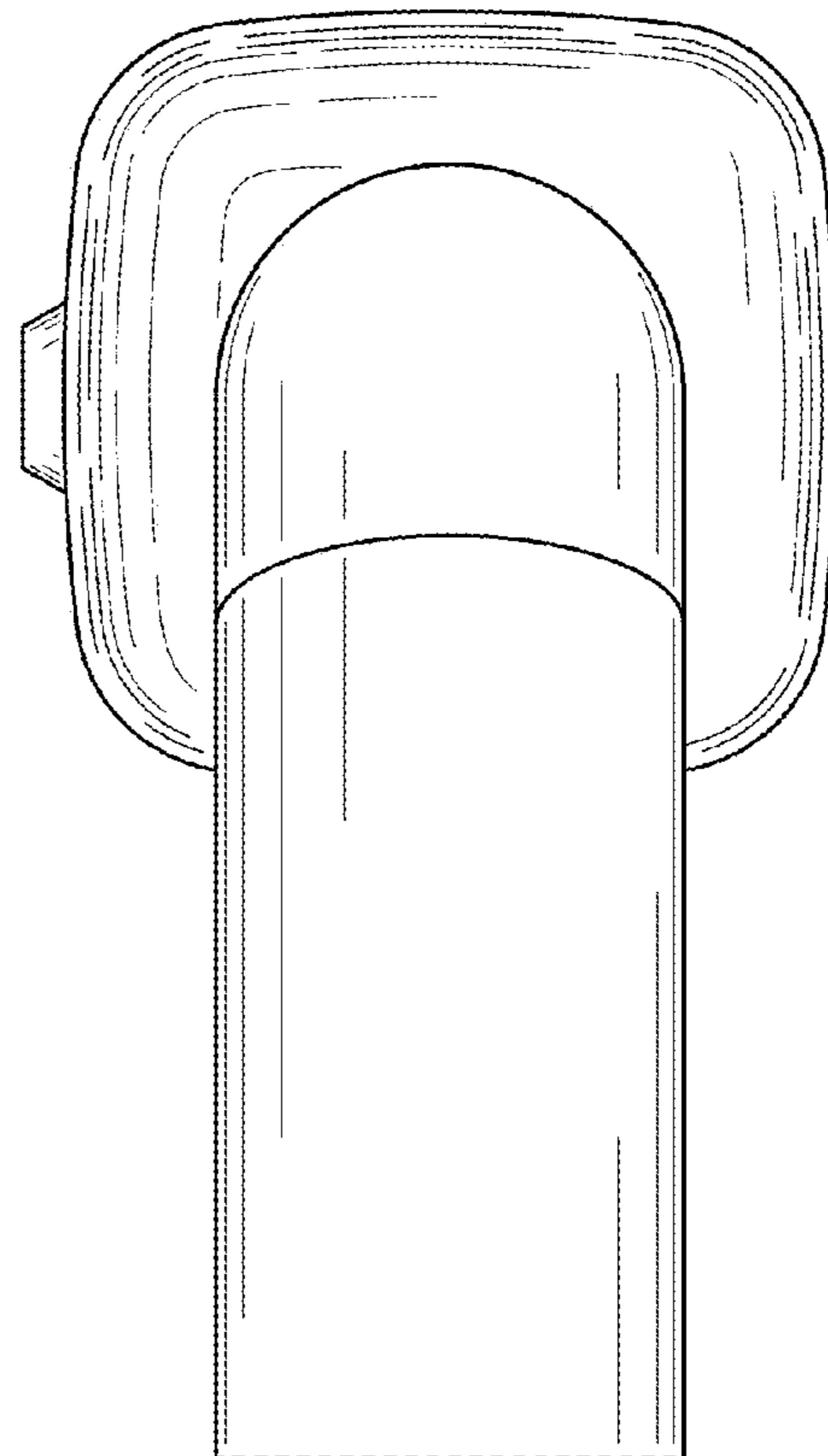


FIG. 3

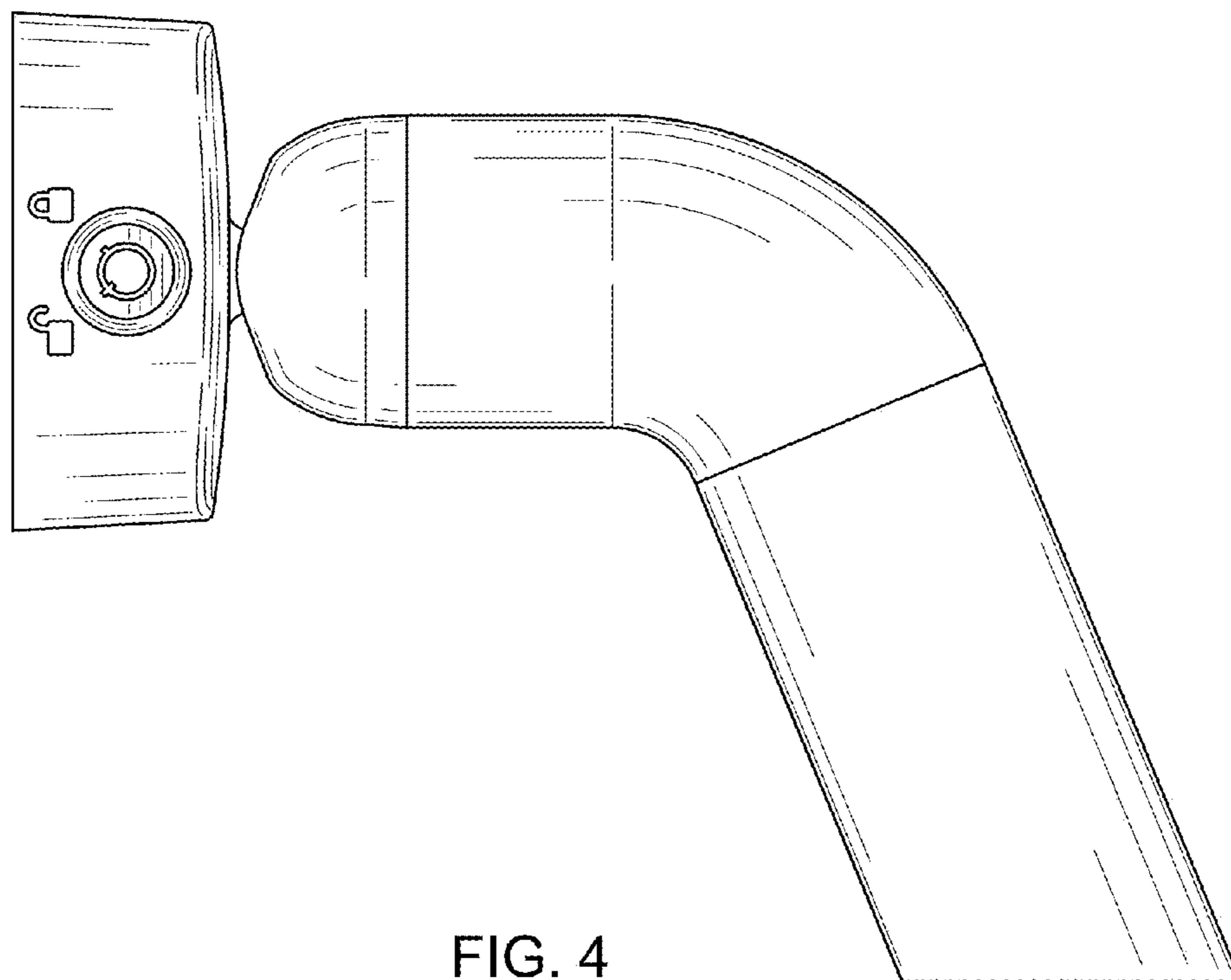


FIG. 4

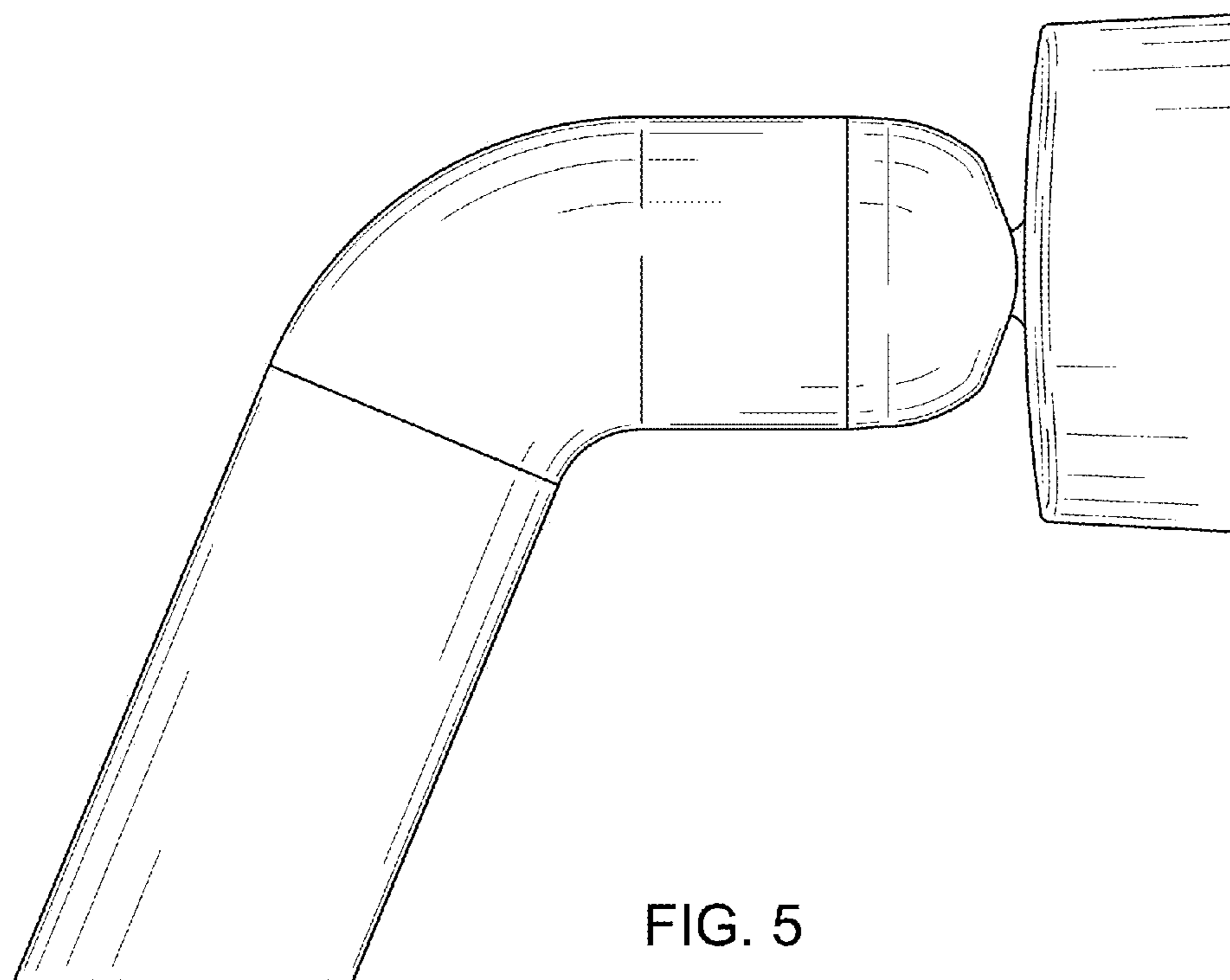


FIG. 5

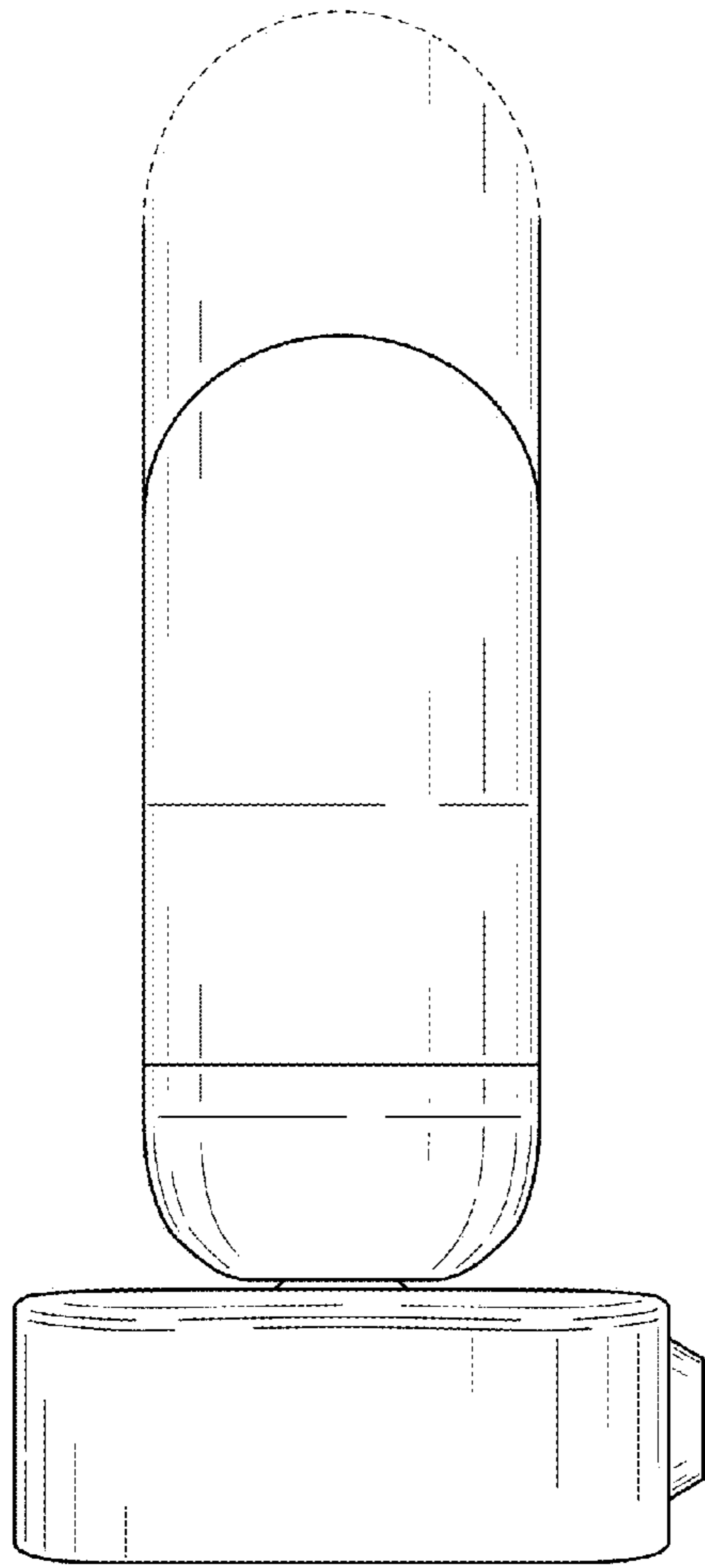


FIG. 6

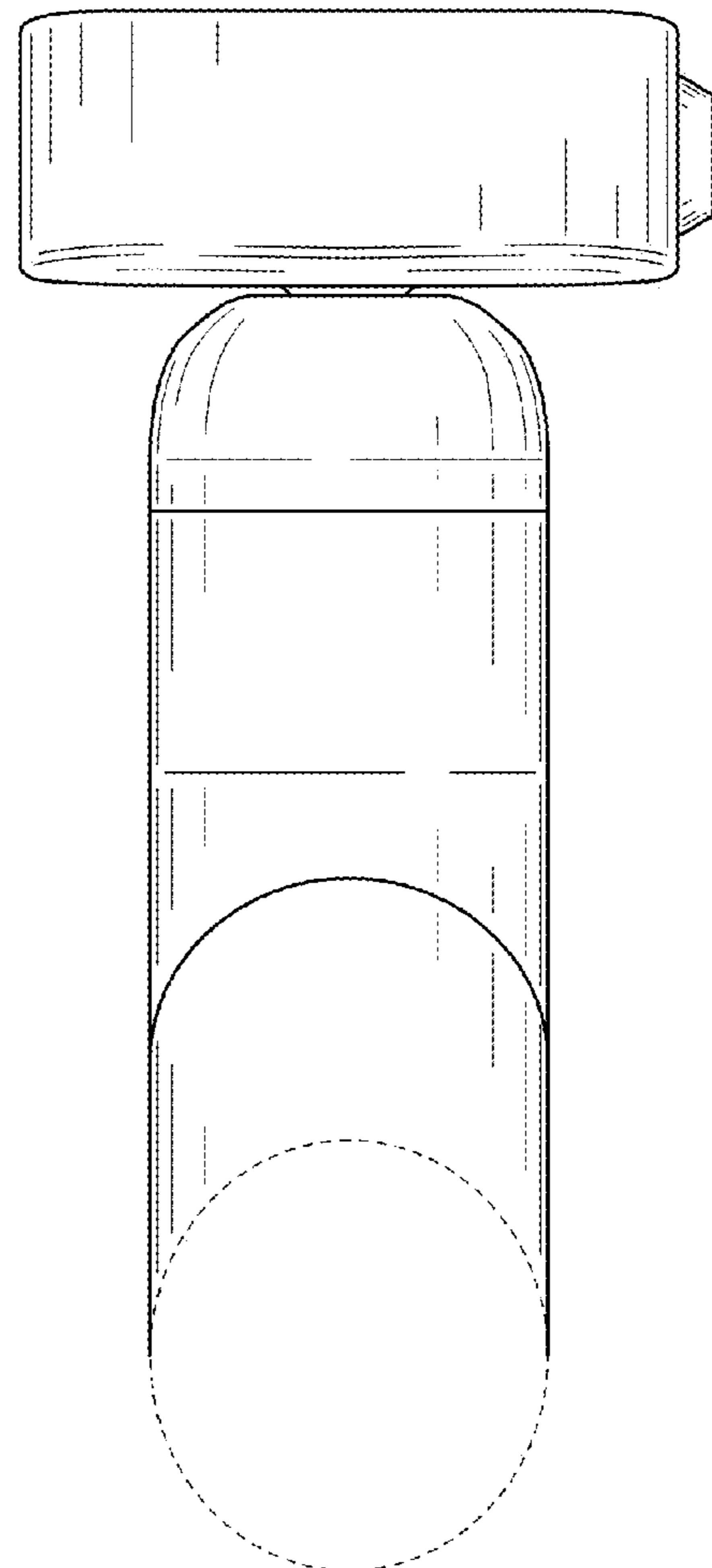


FIG. 7

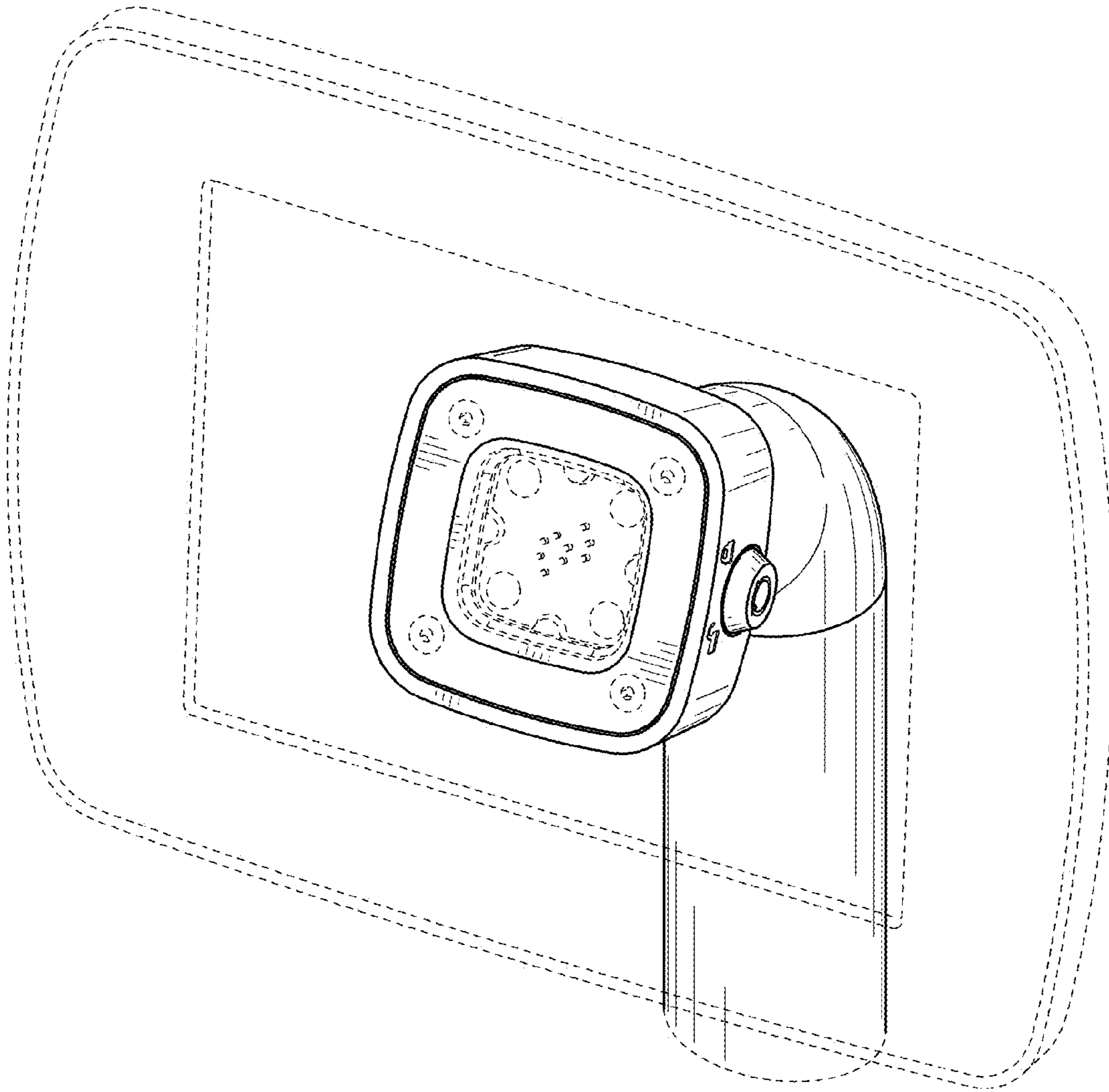


FIG. 8