



US00D729220S

(12) **United States Design Patent**  
**Yung et al.**

(10) **Patent No.:** **US D729,220 S**  
(45) **Date of Patent:** **\*\* May 12, 2015**

(54) **CASE**

(71) Applicant: **Incipio Technologies, Inc.**, Irvine, CA (US)

(72) Inventors: **Kitty Yung**, Walnut, CA (US); **Andy Fathollahi**, Corona Del Mar, CA (US)

(73) Assignee: **Incipio Technologies, Inc.**, Irvine, CA (US)

(\*\*) Term: **14 Years**

(21) Appl. No.: **29/450,274**

(22) Filed: **Mar. 15, 2013**

(51) **LOC (10) Cl.** ..... **14-03**

(52) **U.S. Cl.**  
USPC ..... **D14/250**

(58) **Field of Classification Search**  
USPC ..... D14/217, 250–253, 238.1, 203.7, 496, D14/248, 240, 447, 341–247, 432, 434; D13/110, 177, 107, 184, 199, 108; 220/4.02; 320/107; 224/191, 240, 241, 224/245, 682, 683; D3/201, 218, 247, 269, D3/273, 301, 303; 361/679.56, 679.25, 361/816; 379/426, 433.11, 455; 455/575.1, 455/575.8

See application file for complete search history.

(56) **References Cited**

U.S. PATENT DOCUMENTS

D623,638	S	*	9/2010	Richardson et al.	.....	D14/250
D623,639	S	*	9/2010	Richardson et al.	.....	D14/250
D651,606	S	*	1/2012	Luijben	.....	D14/447
D668,245	S	*	10/2012	Bau	.....	D14/250
D673,546	S	*	1/2013	Magness et al.	.....	D14/250
2011/0310553	A1	*	12/2011	Hsiao	.....	361/679.55
2012/0314354	A1		12/2012	Rayner		
2013/0027862	A1		1/2013	Rayner		

\* cited by examiner

*Primary Examiner* — Stella Reid

*Assistant Examiner* — Khawaja Anwar

(74) *Attorney, Agent, or Firm* — Manatt, Phelps & Phillips, LLP

(57) **CLAIM**

The ornamental design for a case, as shown and described.

**DESCRIPTION**

FIG. 1 is a top, front and side perspective view of a case embodying the new design.

FIG. 2 is a front view thereof.

FIG. 3 is a back view thereof.

FIG. 4 is a side view thereof.

FIG. 5 is a side view thereof opposite the side view of FIG. 4.

FIG. 6 is a top view thereof.

FIG. 7 is a bottom view thereof.

FIG. 8 is a top, back and side perspective view thereof.

FIG. 9 is a top, front and side perspective view showing an environment for use of the case.

FIG. 10 is a top, back and side perspective view showing a second environment for use of the case.

FIG. 11 is a front view thereof.

FIG. 12 is a back view thereof.

FIG. 13 is a side view thereof.

FIG. 14 is a side view thereof opposite the side view of FIG. 13.

FIG. 15 is a top view thereof.

FIG. 16 is a bottom view thereof.

FIG. 17 is a top, back and side perspective view showing a third environment for use of the case.

FIG. 18 is a front view thereof.

FIG. 19 is a back view thereof.

FIG. 20 is a side view thereof.

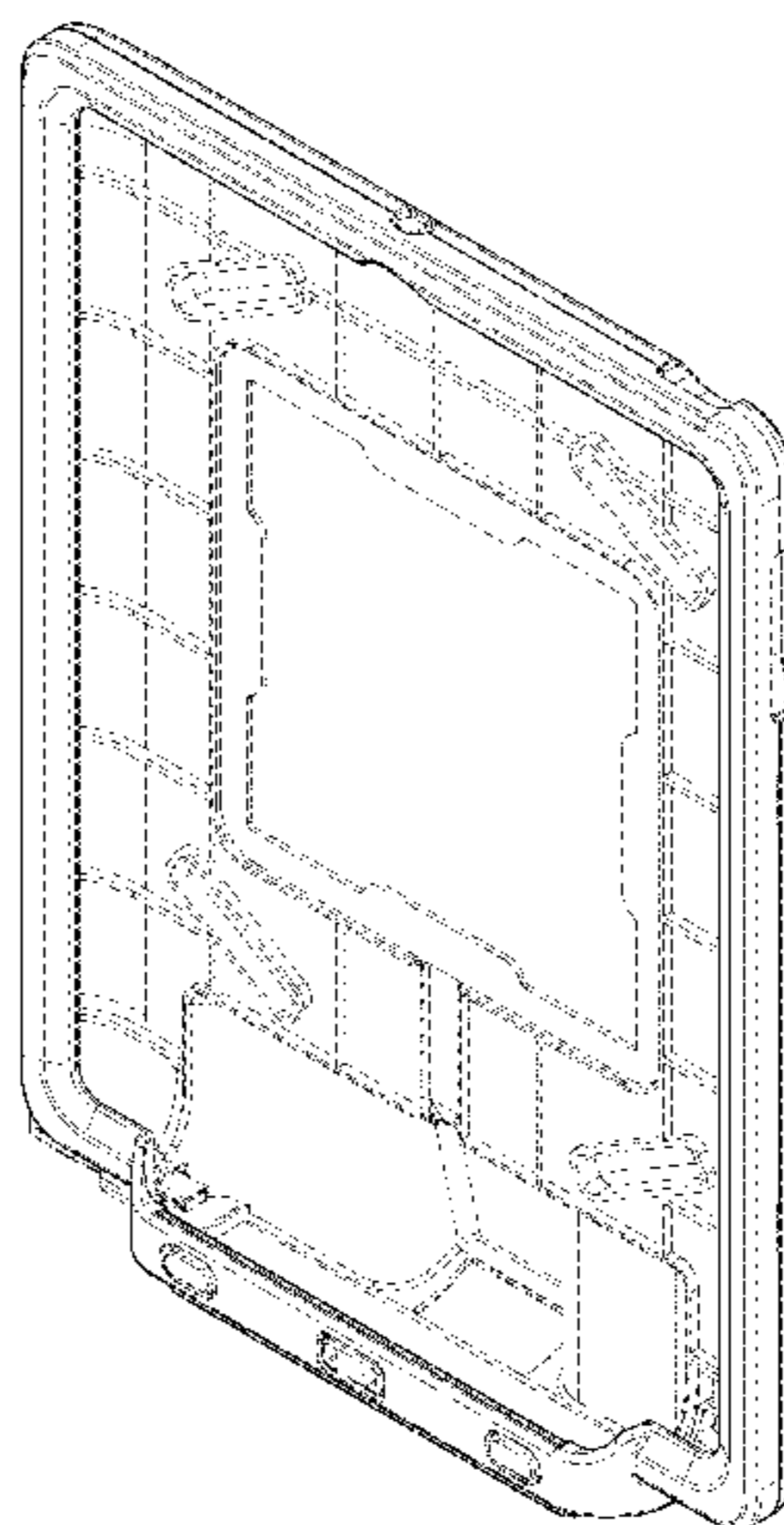
FIG. 21 is a side view thereof opposite the side view of FIG. 20.

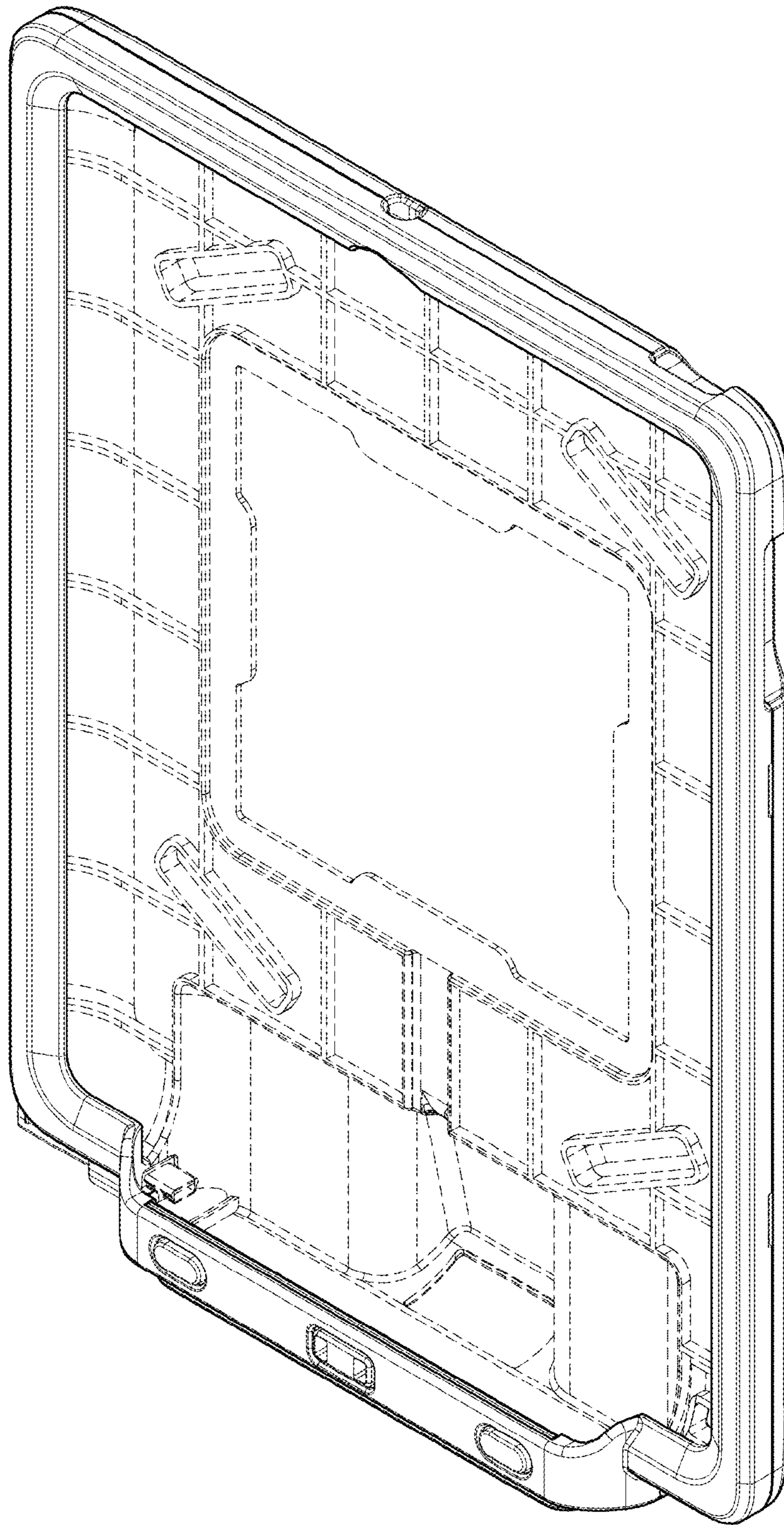
FIG. 22 is a top view thereof; and,

FIG. 23 is a bottom view thereof.

The broken lines in the figure drawings show unclaimed subject matter only and form no part of the claimed design.

**1 Claim, 17 Drawing Sheets**





*FIG. 1*

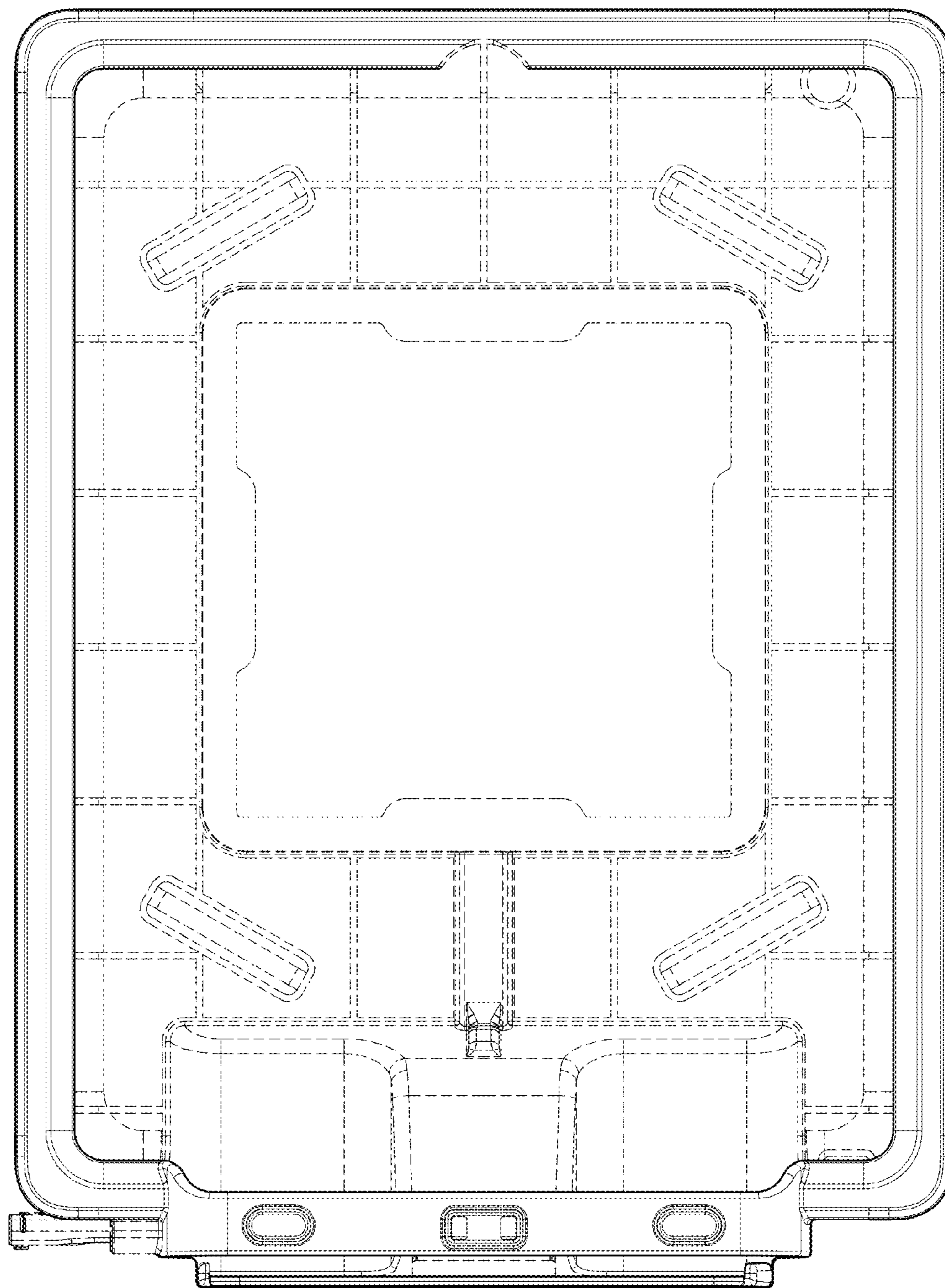


FIG. 2

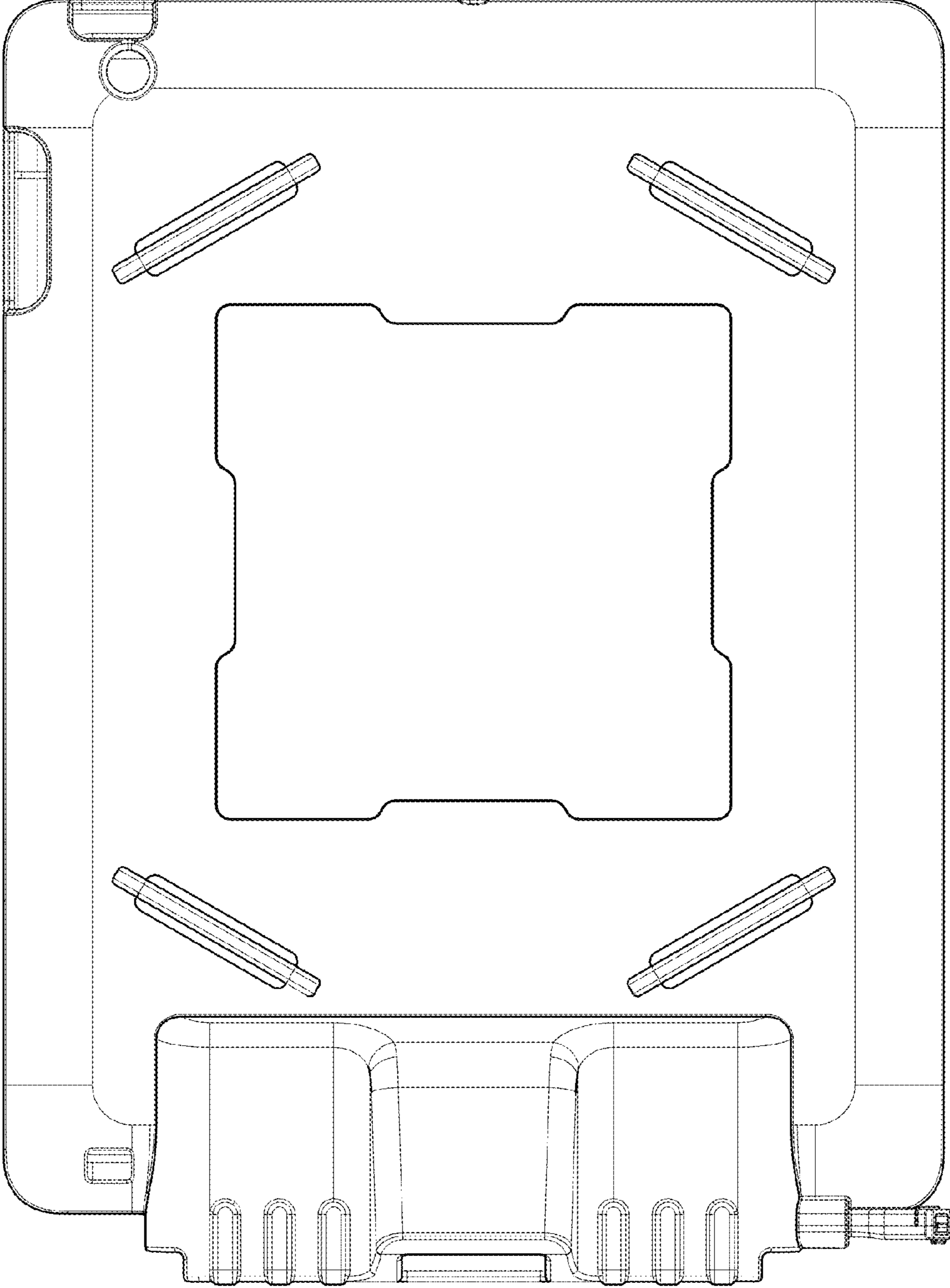
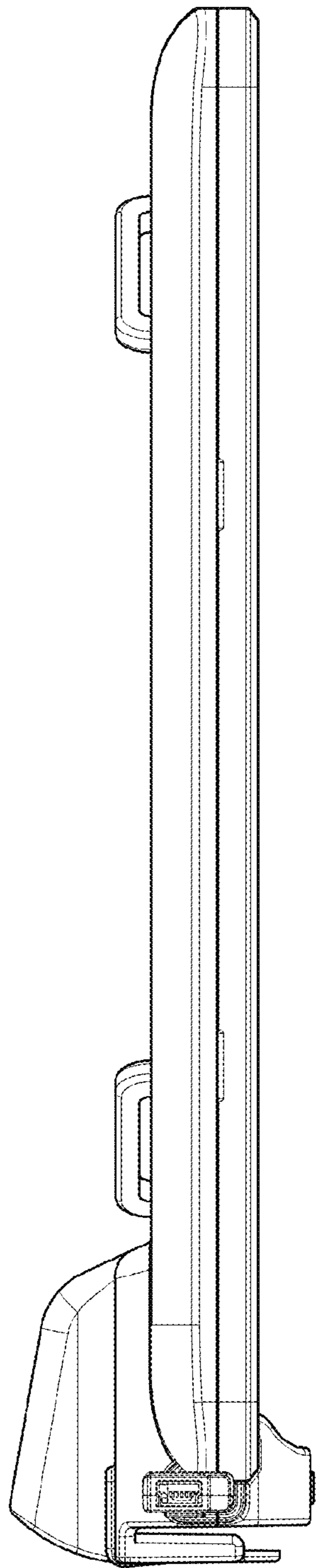
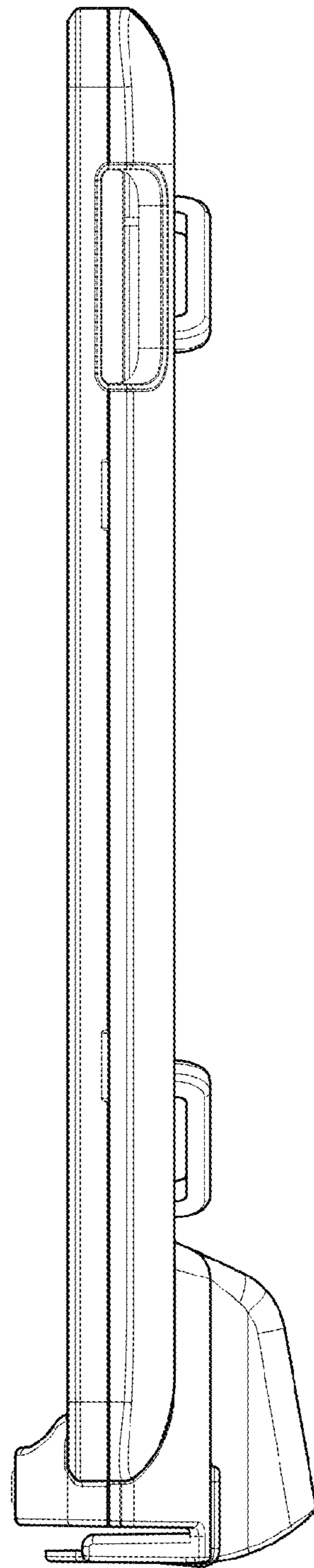


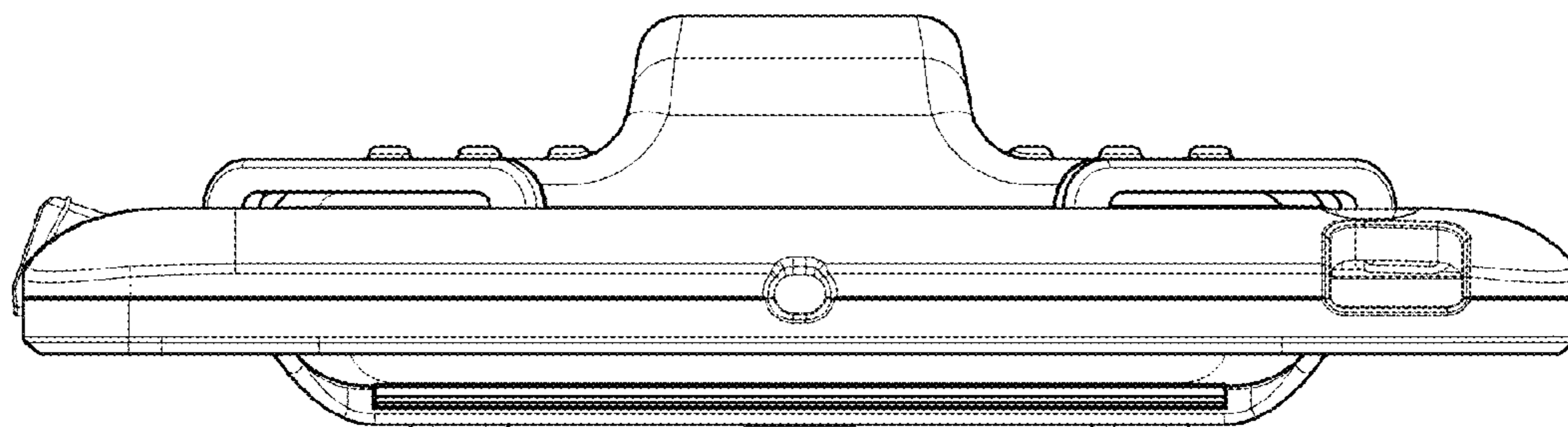
FIG. 3



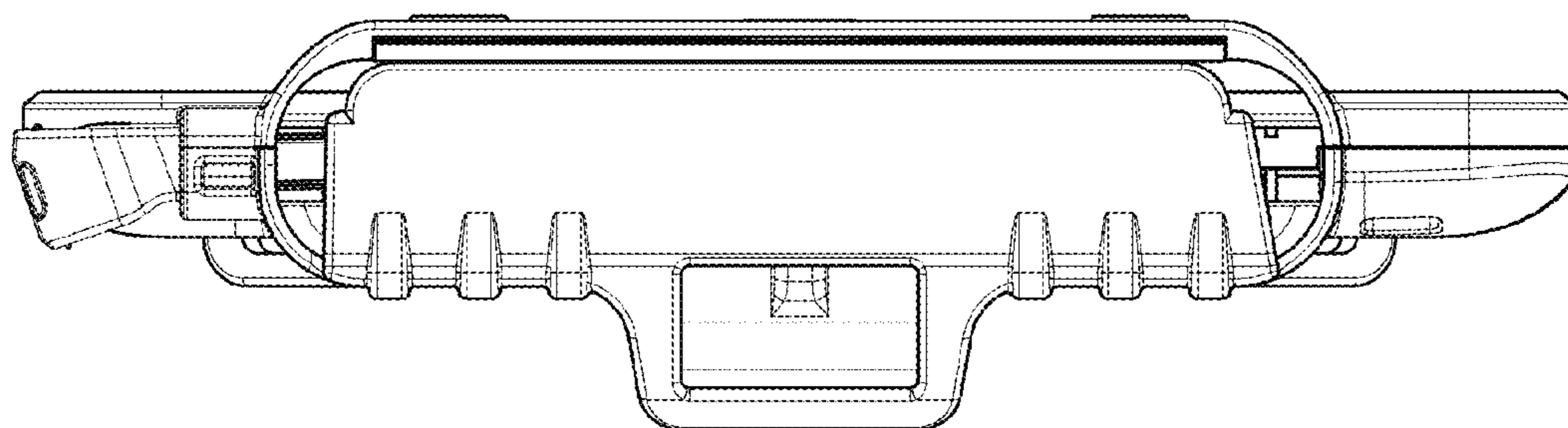
*FIG. 4*



*FIG. 5*



*FIG. 6*



*FIG. 7*

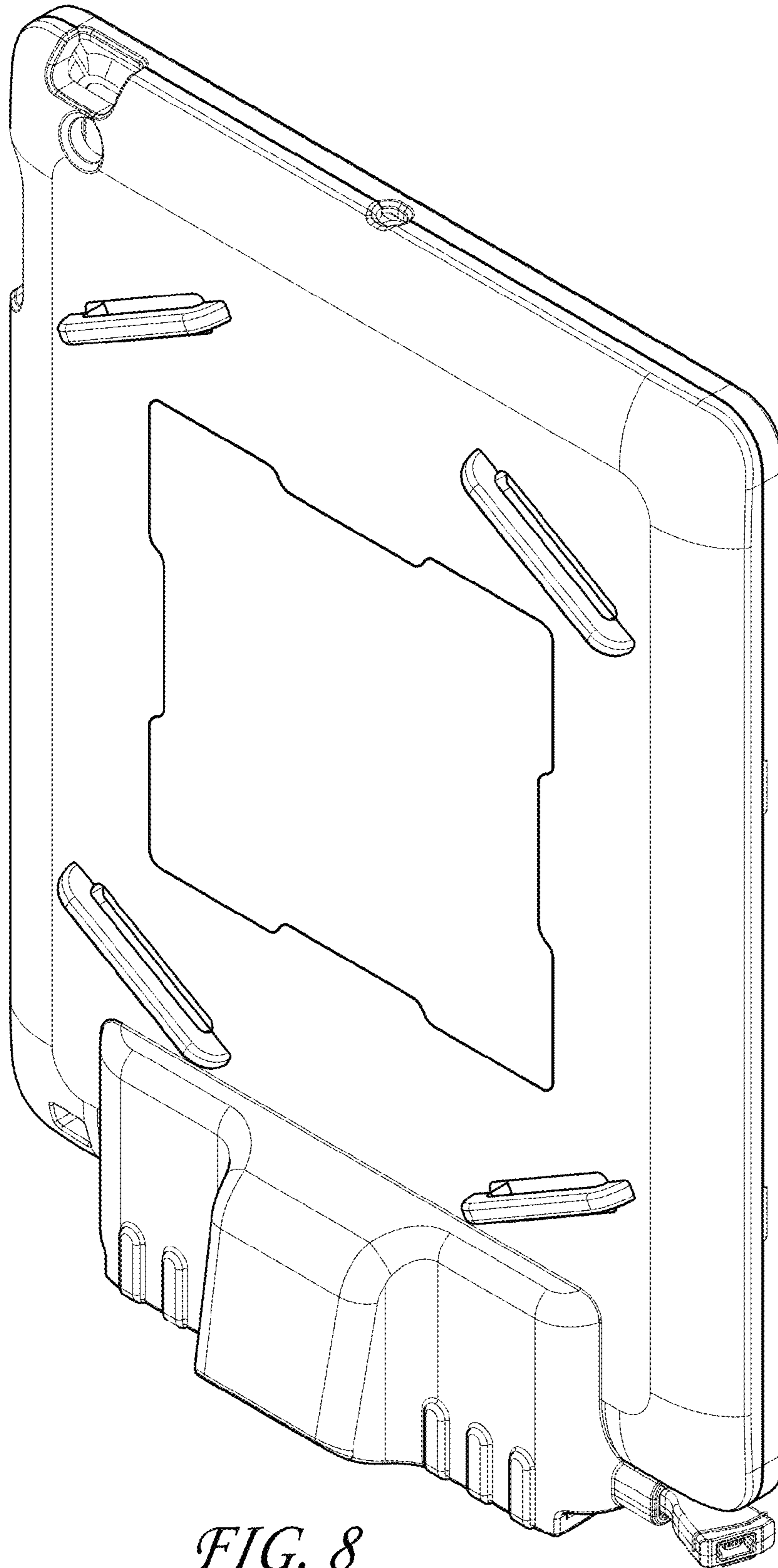
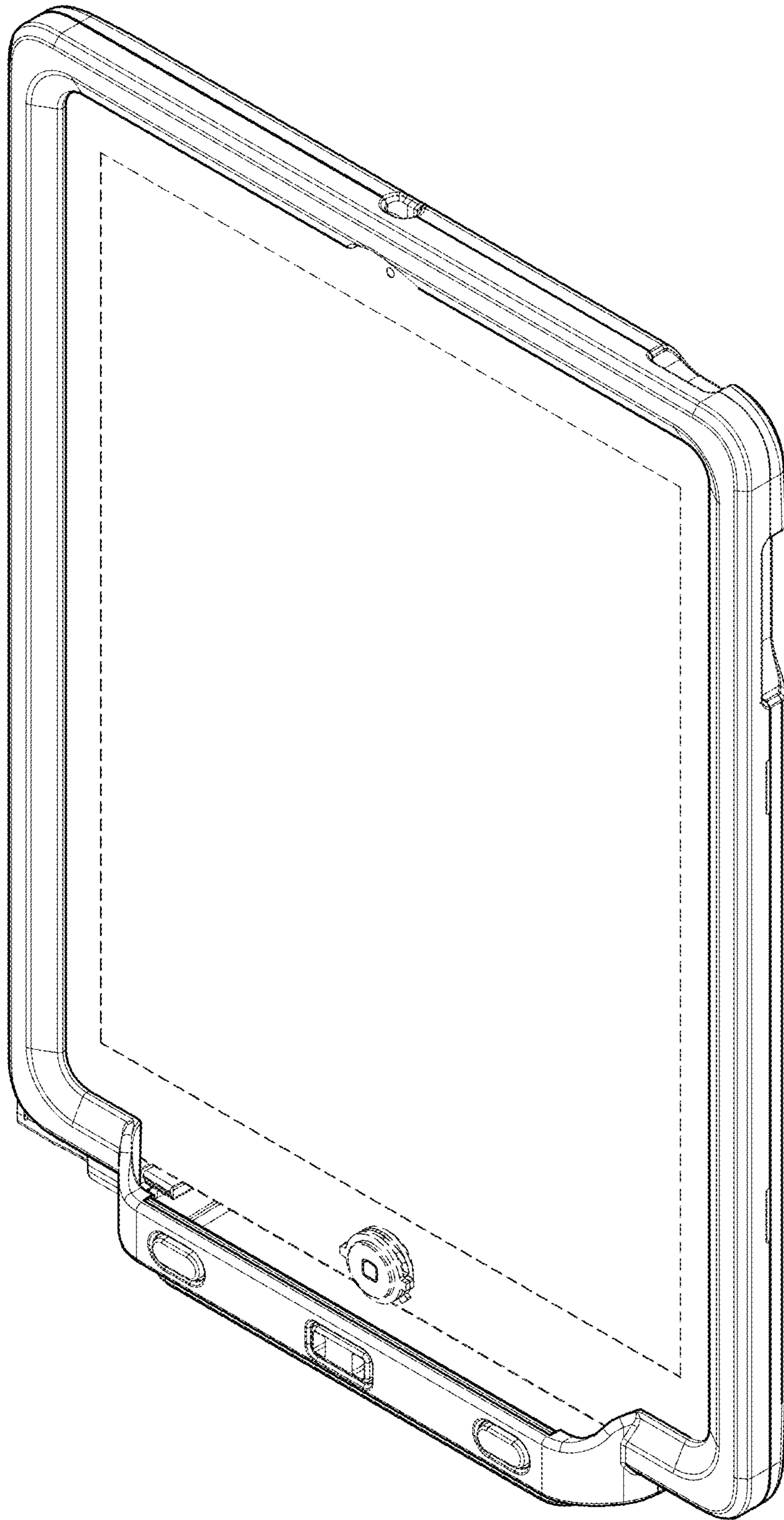


FIG. 8



*FIG. 9*



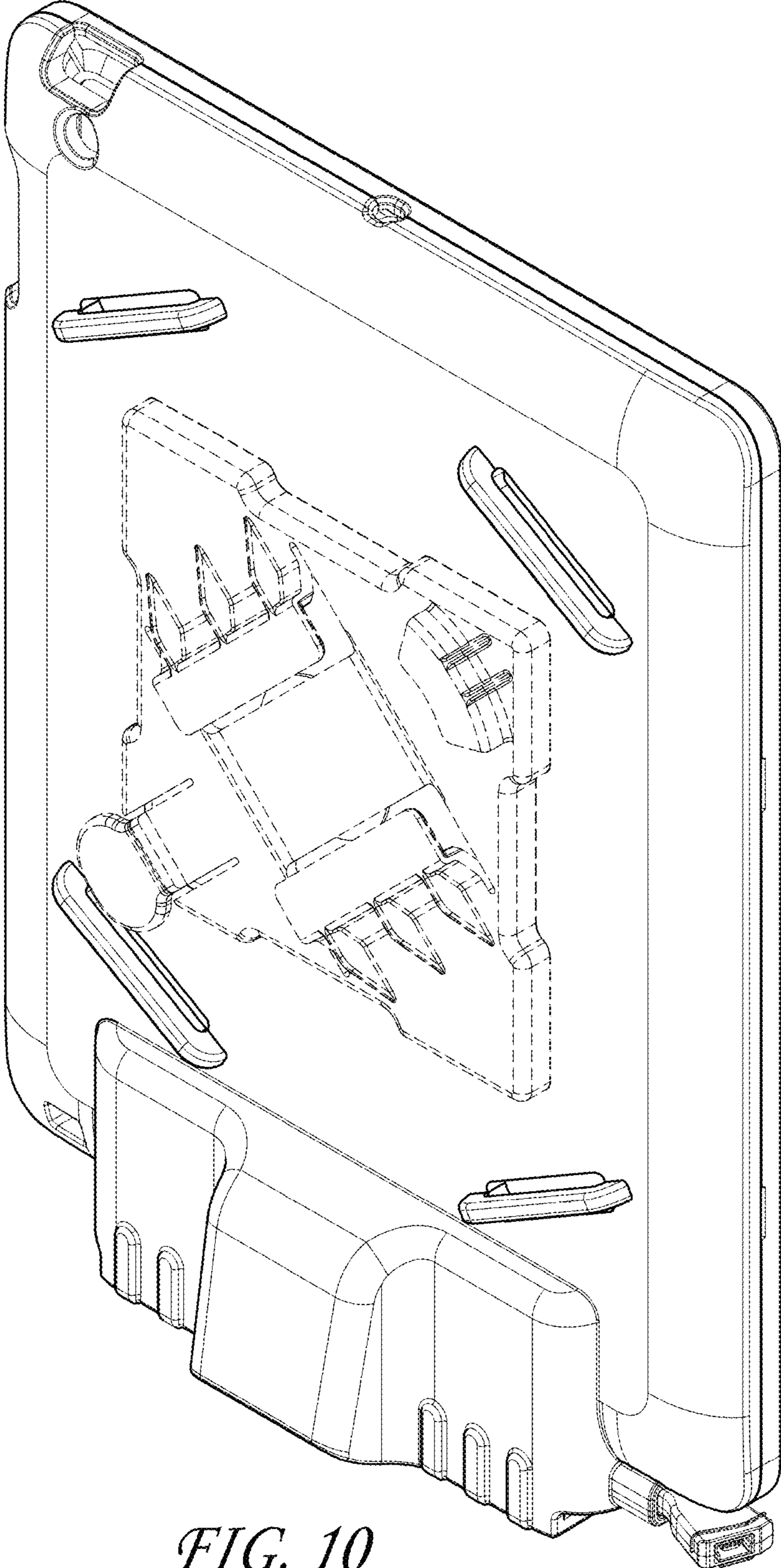


FIG. 10

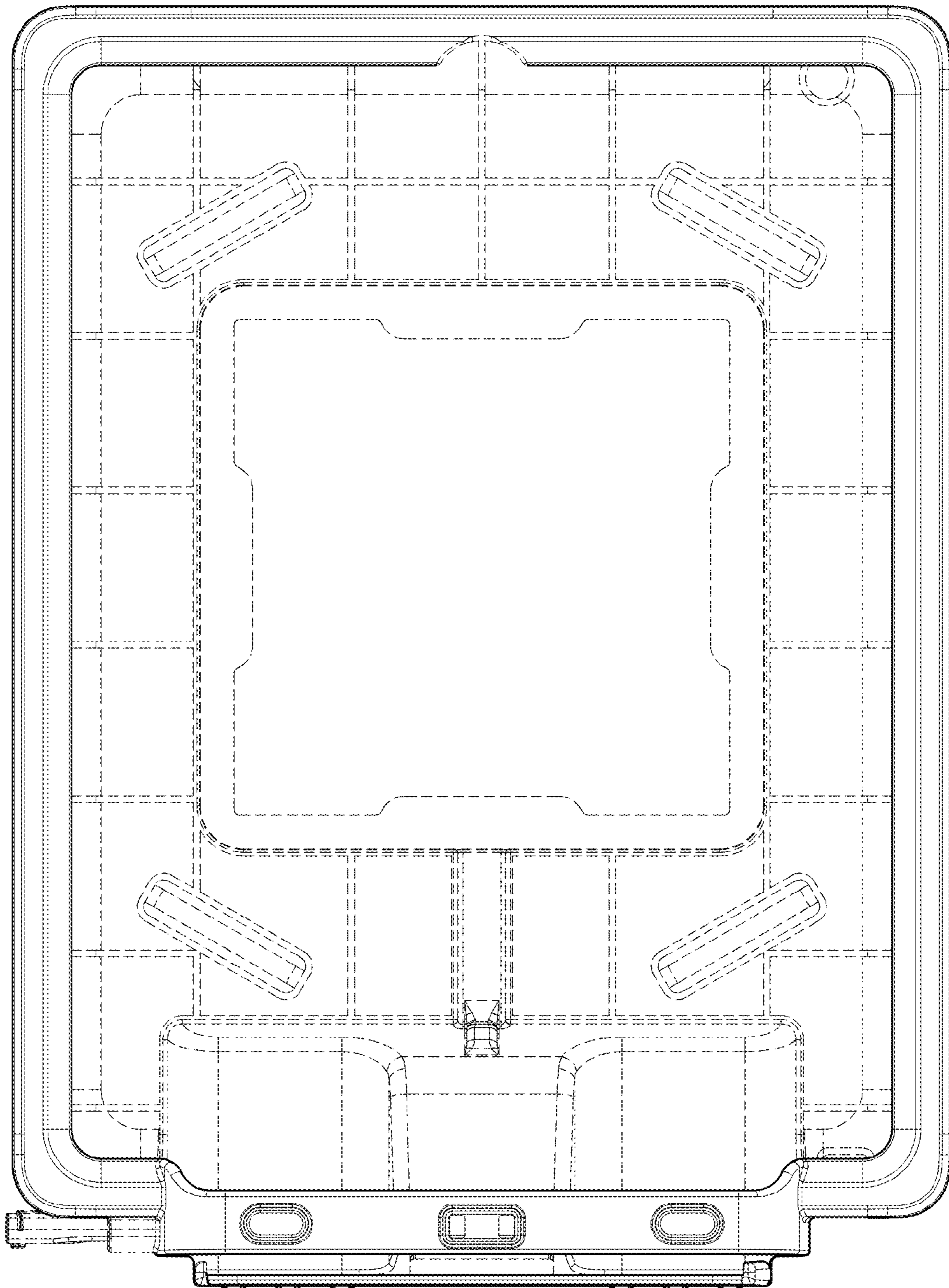


FIG. 11

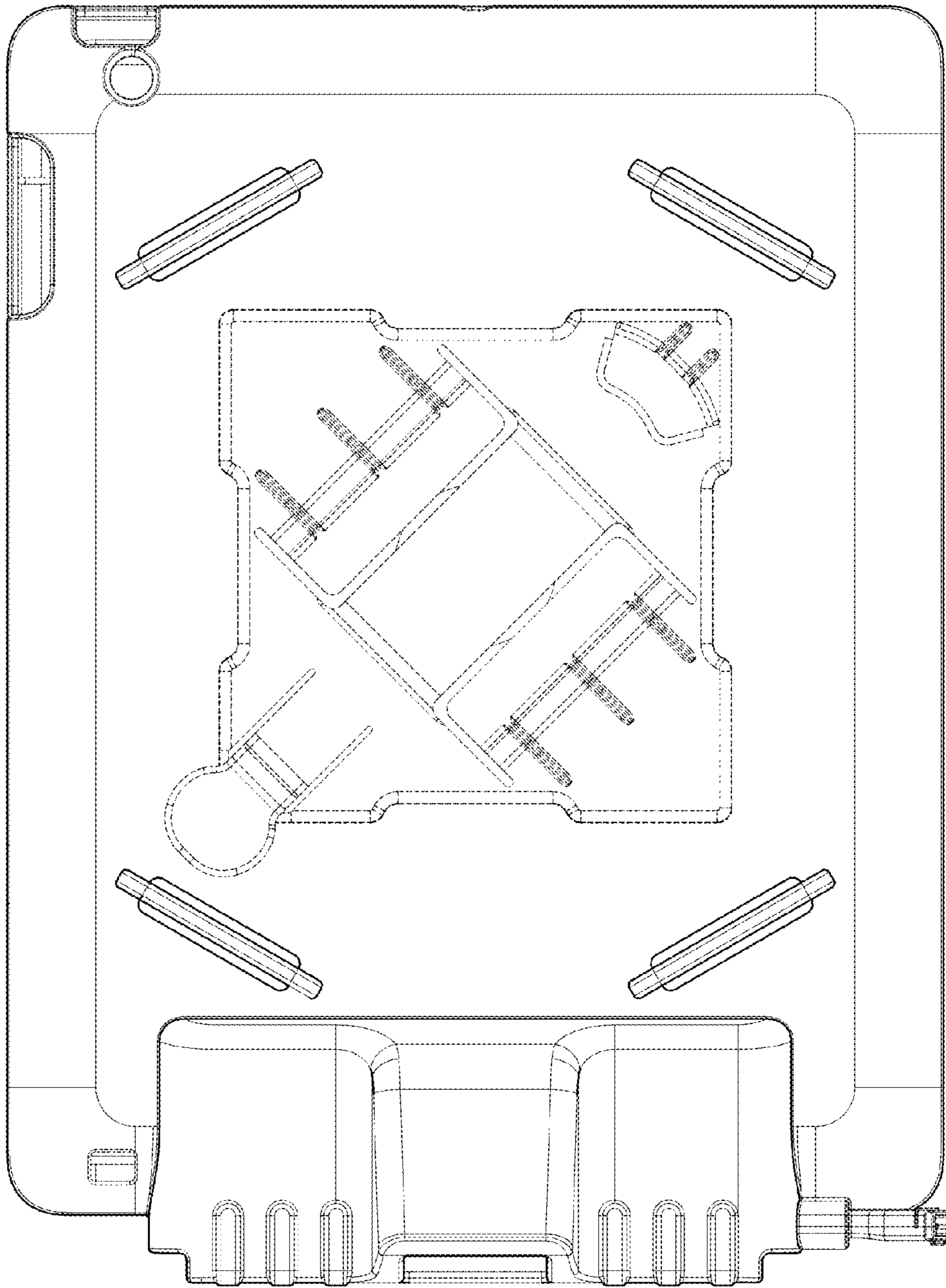
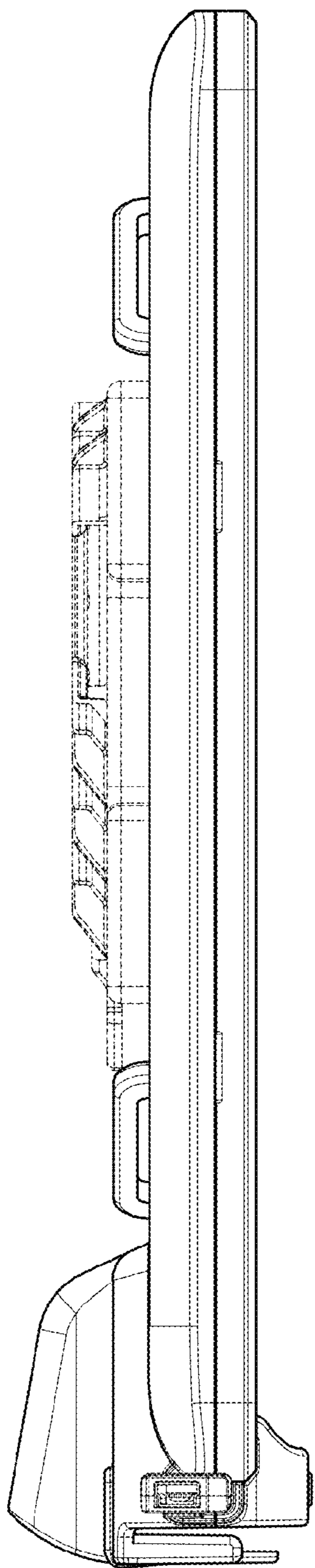
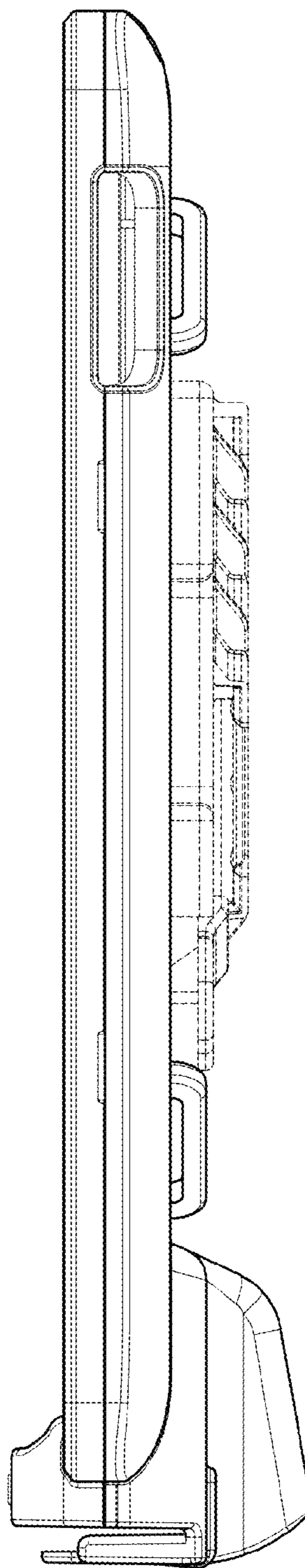


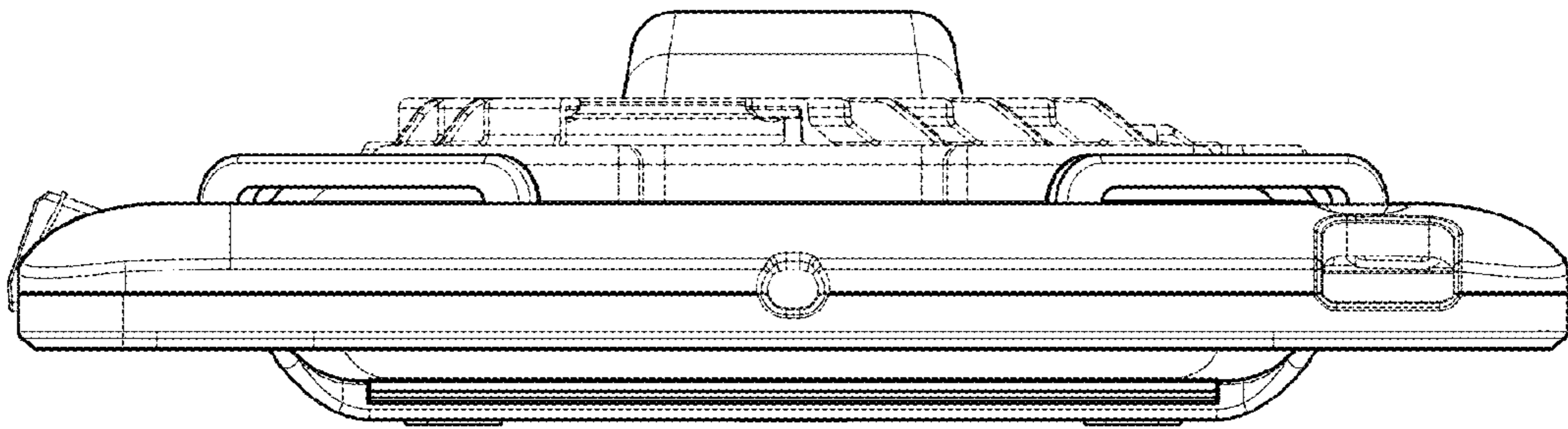
FIG. 12



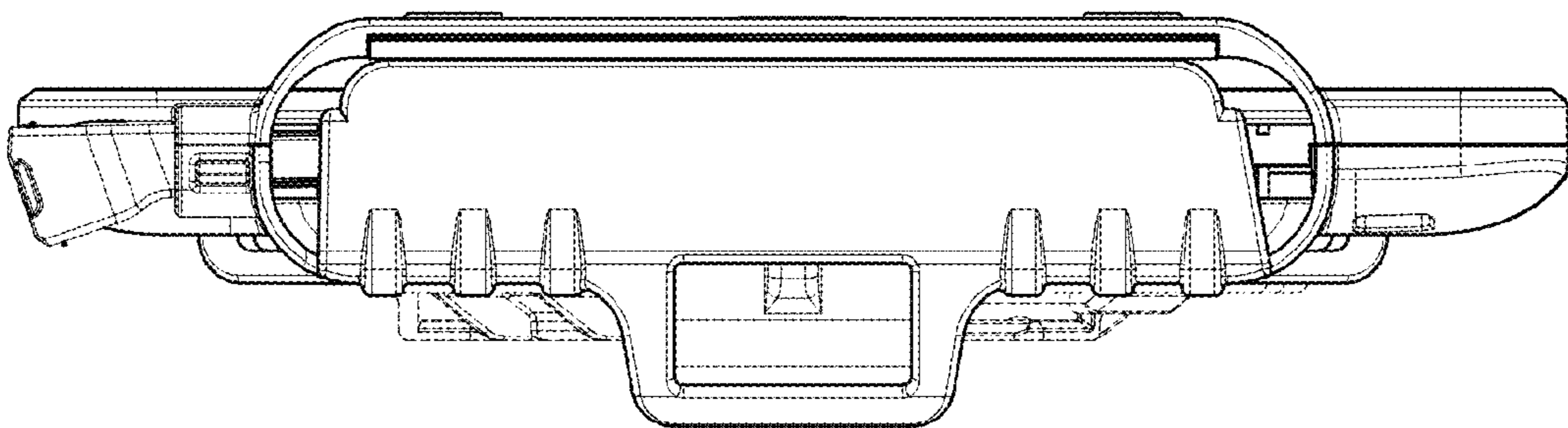
*FIG. 13*



*FIG. 14*



*FIG. 15*



*FIG. 16*

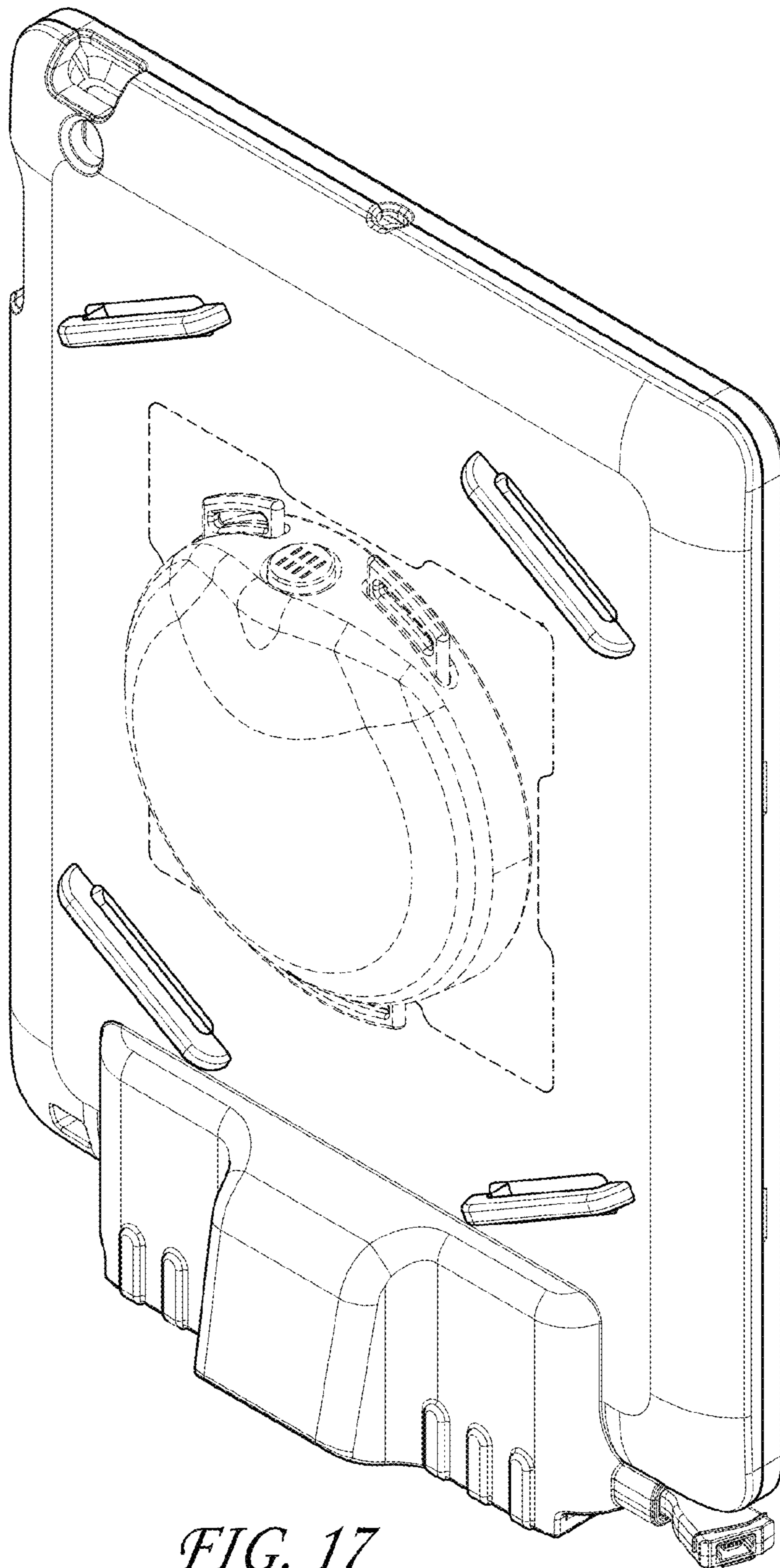


FIG. 17

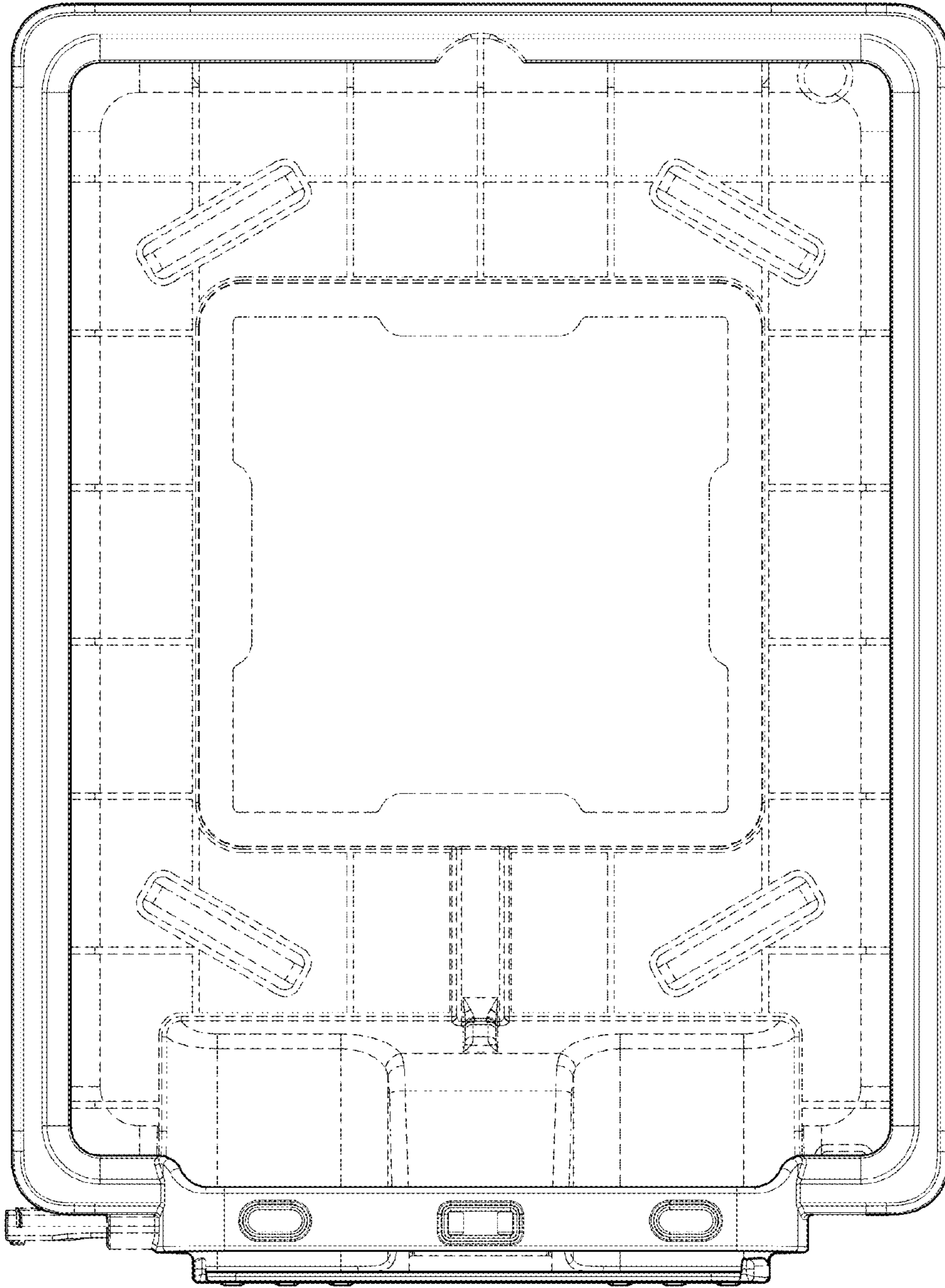


FIG. 18

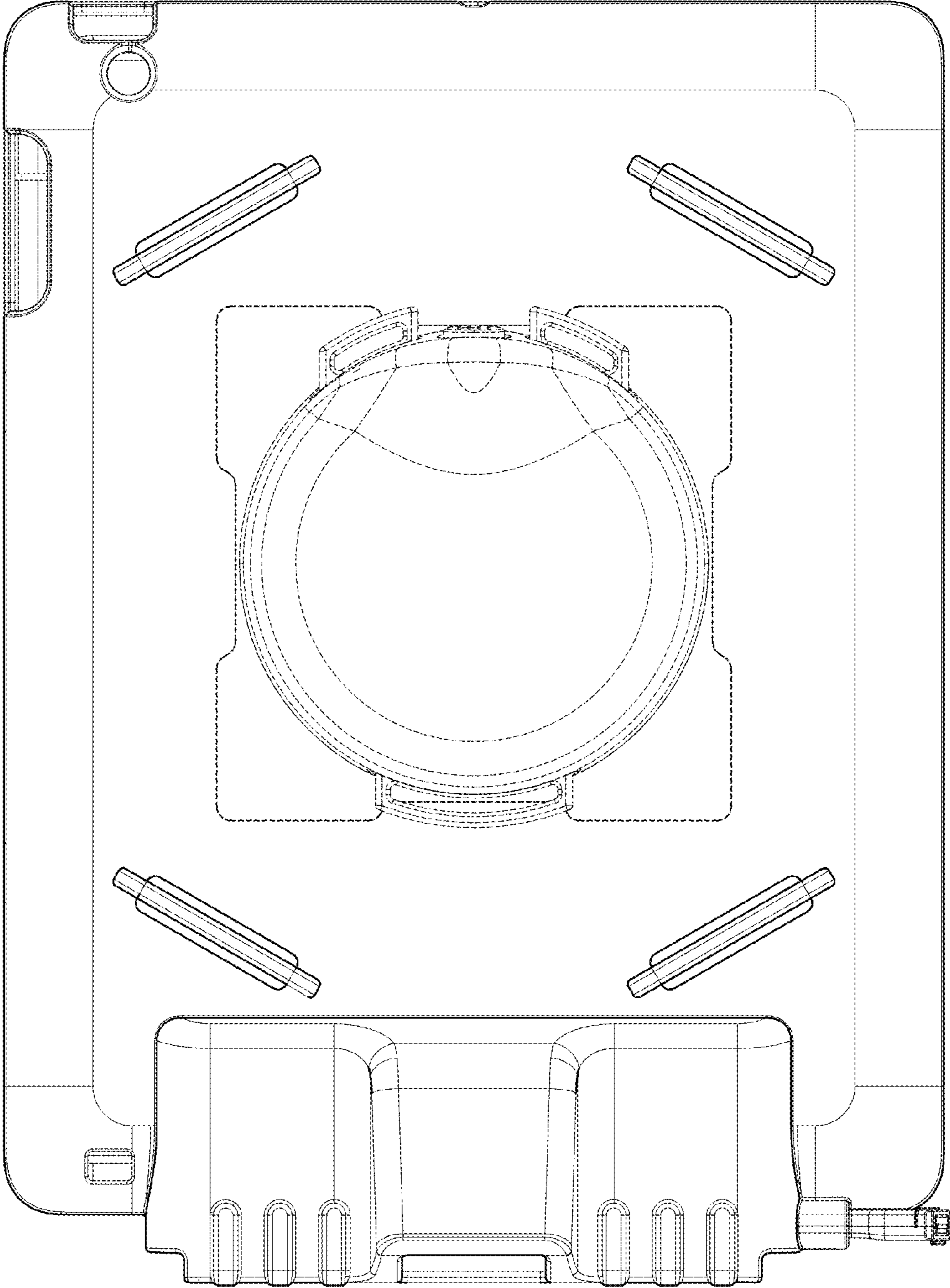
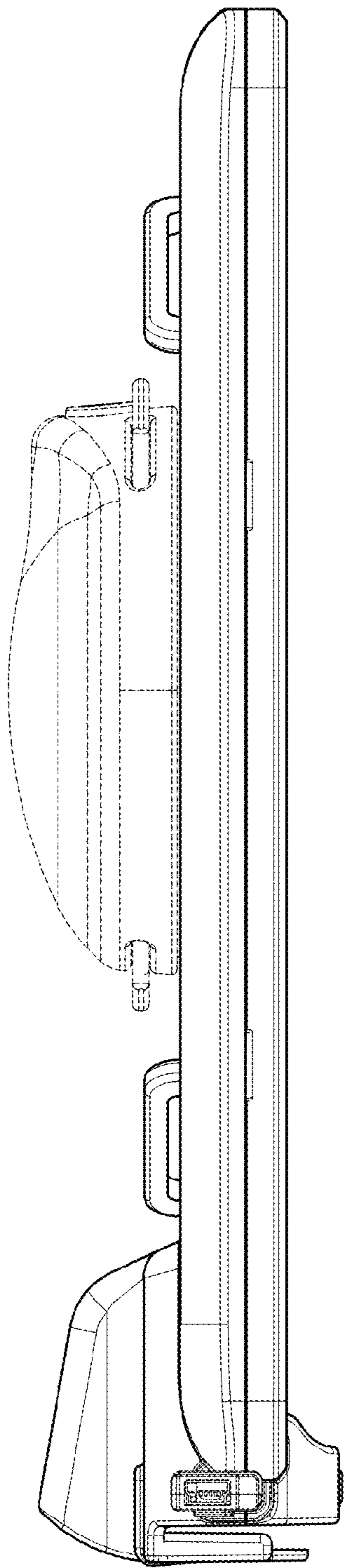
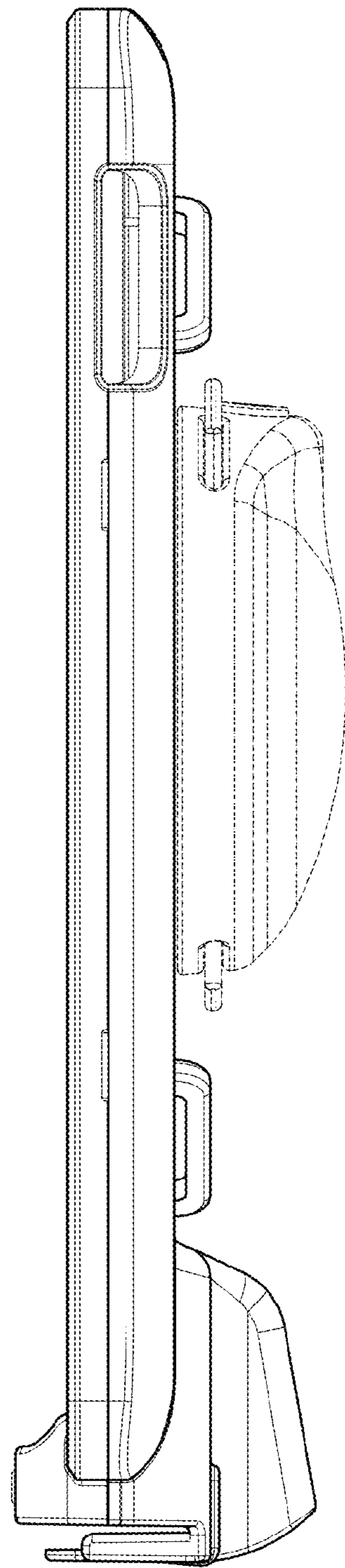


FIG. 19

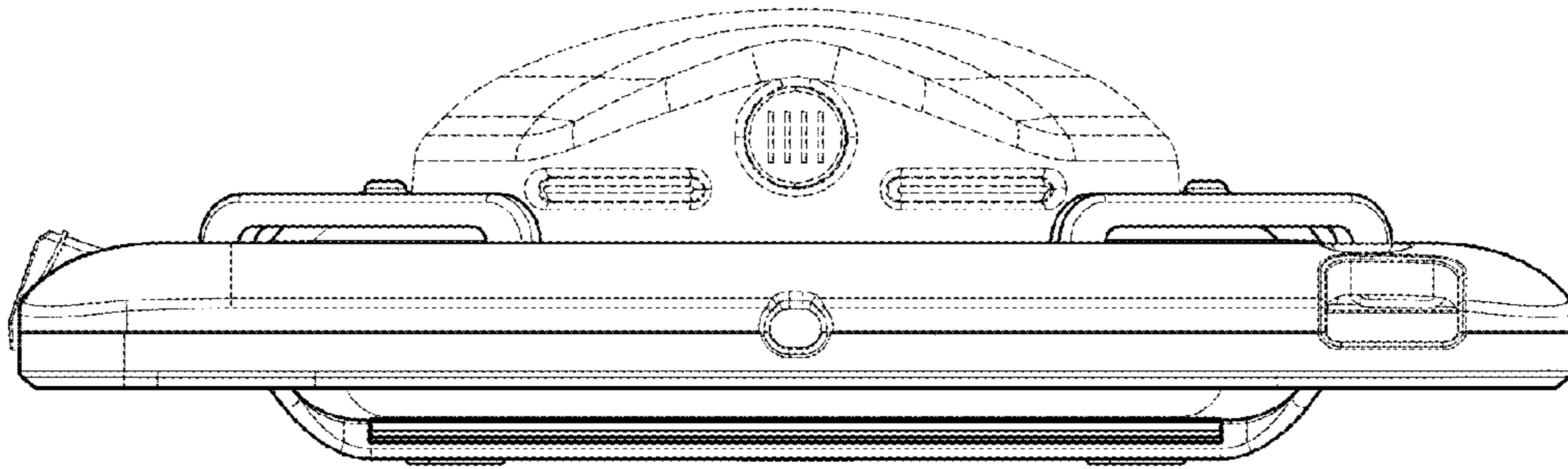




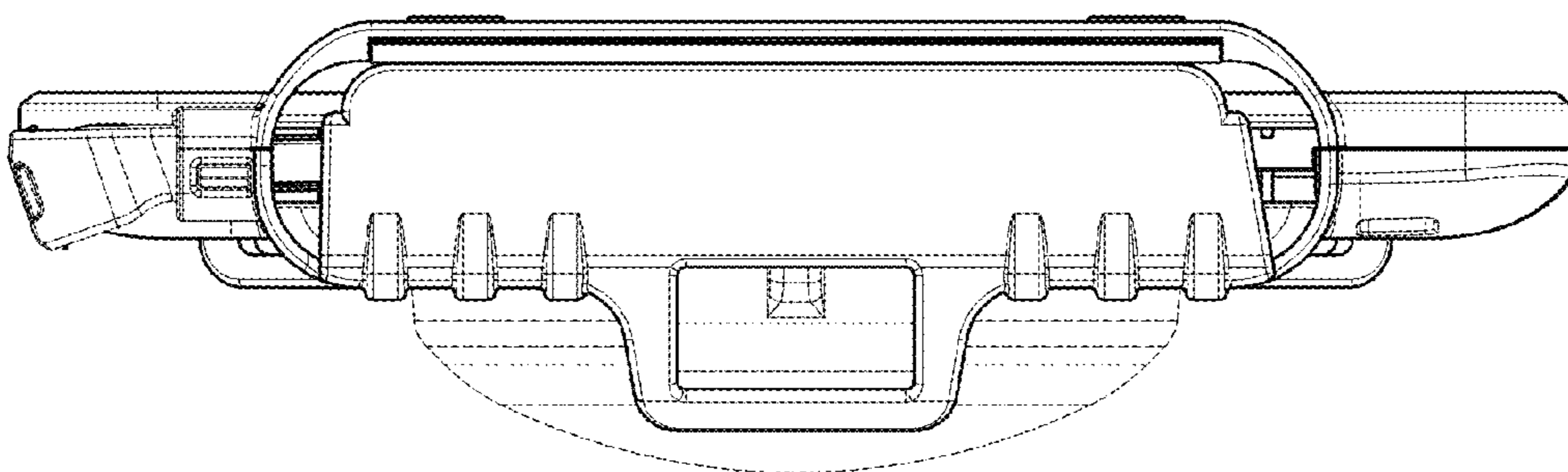
*FIG. 20*



*FIG. 21*



*FIG. 22*



*FIG. 23*